



US00D479657S

(12) **United States Design Patent**  
**Calatrava Valls**

(10) **Patent No.:** **US D479,657 S**

(45) **Date of Patent:** **\*\* Sep. 16, 2003**

(54) **CHAIR**

(76) **Inventor:** **Santiago Calatrava Valls**, Höschgasse  
5, Zurich, CH 8008 (CH)

(\*\*) **Term:** **14 Years**

(21) **Appl. No.:** **29/173,346**

(22) **Filed:** **Dec. 27, 2002**

(30) **Foreign Application Priority Data**

Jul. 18, 2002 (ES) ..... 154667

(51) **LOC (7) Cl.** ..... **06-01**

(52) **U.S. Cl.** ..... **D6/368; D6/371**

(58) **Field of Search** ..... D6/334, 335, 356,  
D6/364, 365, 368, 371, 381, 500-502;  
297/232, 302.1, 331, 335, 354.1, 411.44,  
411.45, 451.3

(56) **References Cited**

**U.S. PATENT DOCUMENTS**

D111,317 S	*	9/1938	Bond, Jr.	.....	D6/502
D127,888 S	*	6/1941	Gedris	.....	D6/502
3,182,377 A	*	5/1965	Hoven et al.	.....	297/331
D226,058 S	*	1/1973	Woods	.....	D6/368
D252,482 S	*	7/1979	Blodee	.....	D6/368

D381,214 S	*	7/1997	Haney et al.	.....	D6/368
5,681,085 A	*	10/1997	Nahoul	.....	297/302.1
5,899,531 A	*	5/1999	Koehler	.....	297/335
D446,035 S	*	8/2001	Haney	.....	D6/368
D447,642 S	*	9/2001	Kimura	.....	D6/368
6,523,900 B1	*	2/2003	Conner et al.	.....	297/331

\* cited by examiner

*Primary Examiner*—Doris V. Coles

*Assistant Examiner*—Mimosa De

(74) *Attorney, Agent, or Firm*—Collard & Roe, P.C.

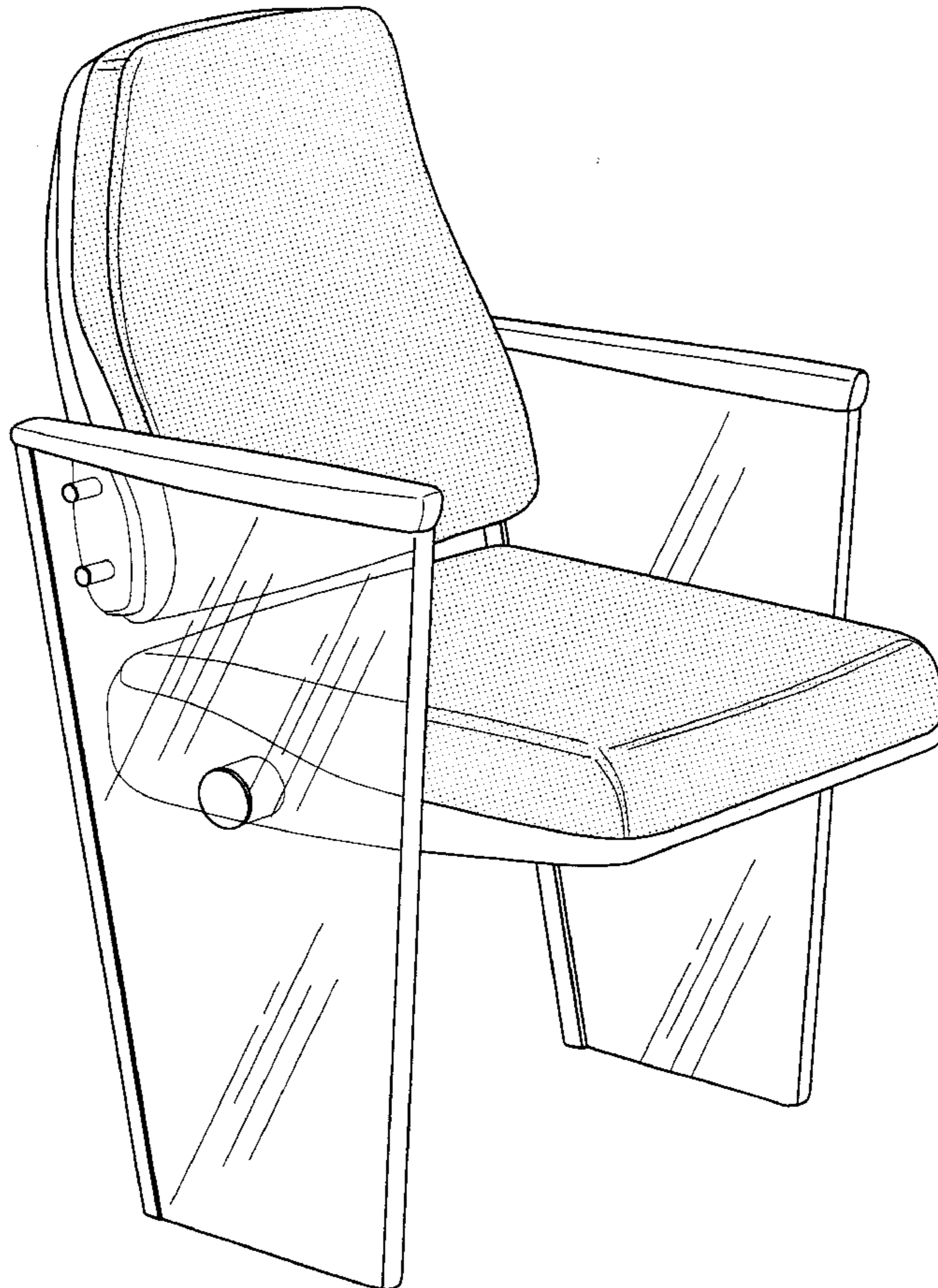
(57) **CLAIM**

The ornamental design for a chair, as shown and described.

**DESCRIPTION**

FIG. 1 shows a perspective view of my design for a chair; FIG. 2 shows a side view thereof, with the opposite side being a mirror image thereof; FIG. 3 shows a top view thereof; FIG. 4 shows a rear view thereof; and, FIG. 5 shows a front view thereof. The bottom view forms no part of the design. The dotted pattern shown on the seat and backrest represents fabric material.

**1 Claim, 3 Drawing Sheets**



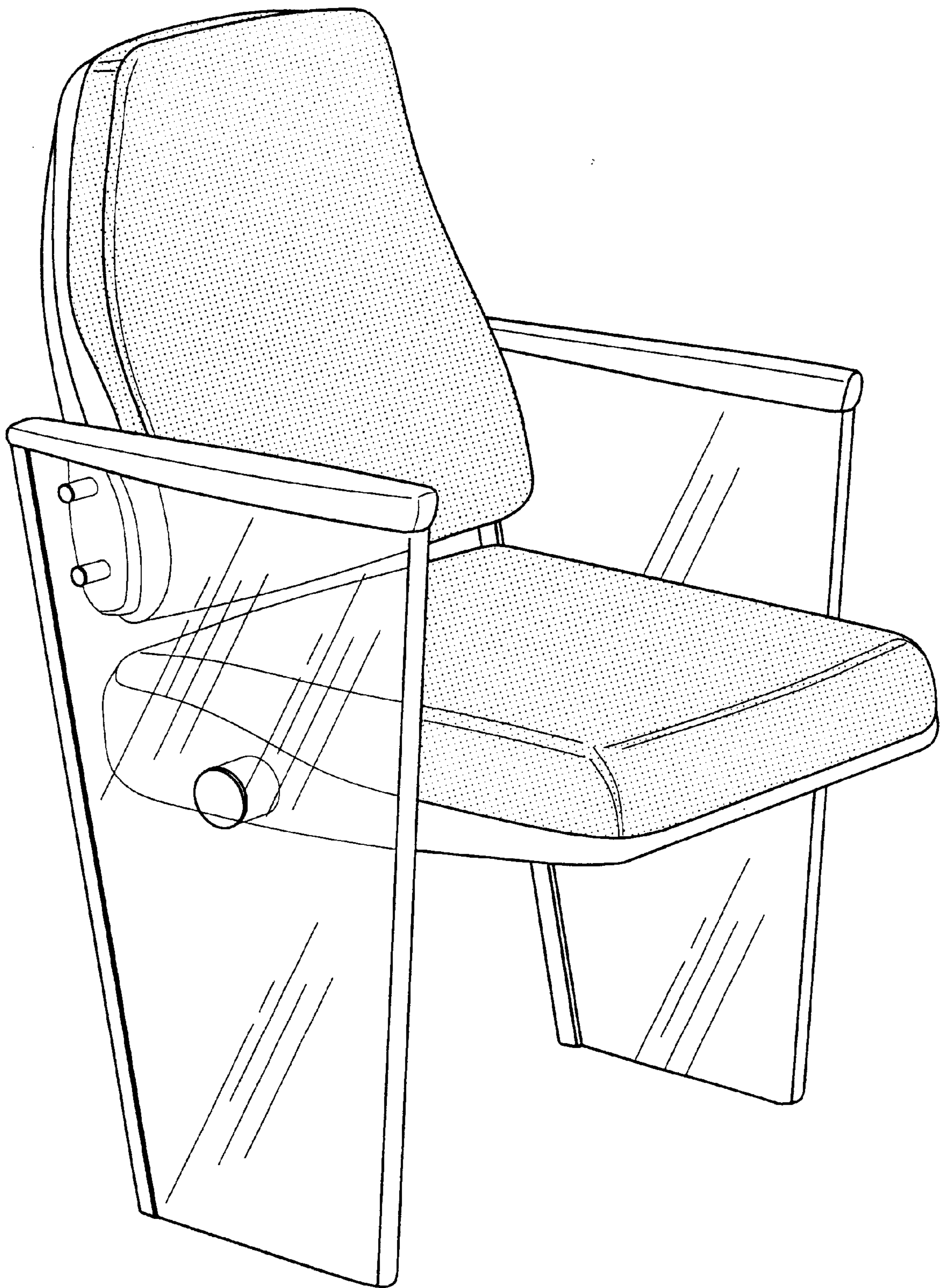
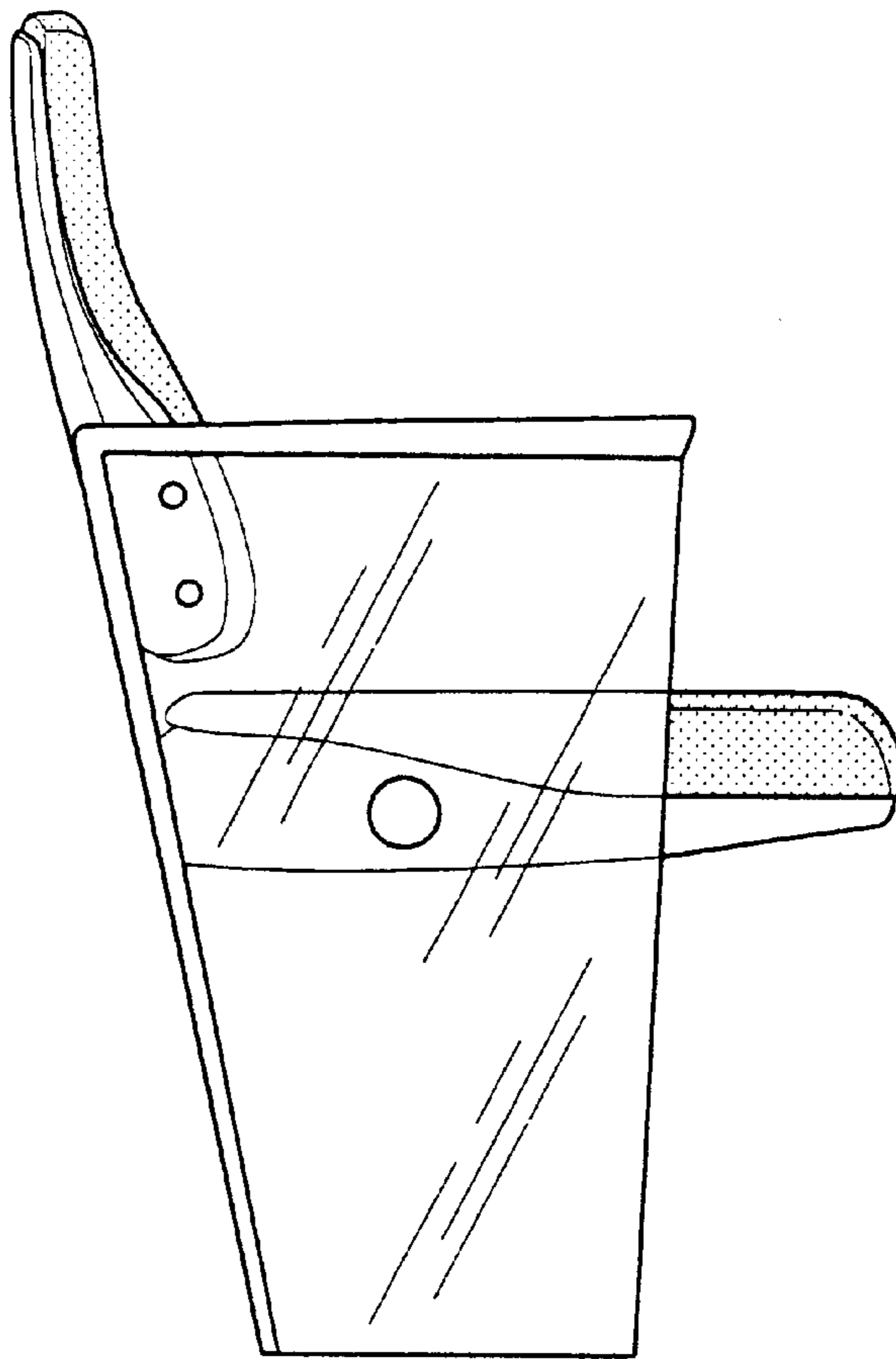
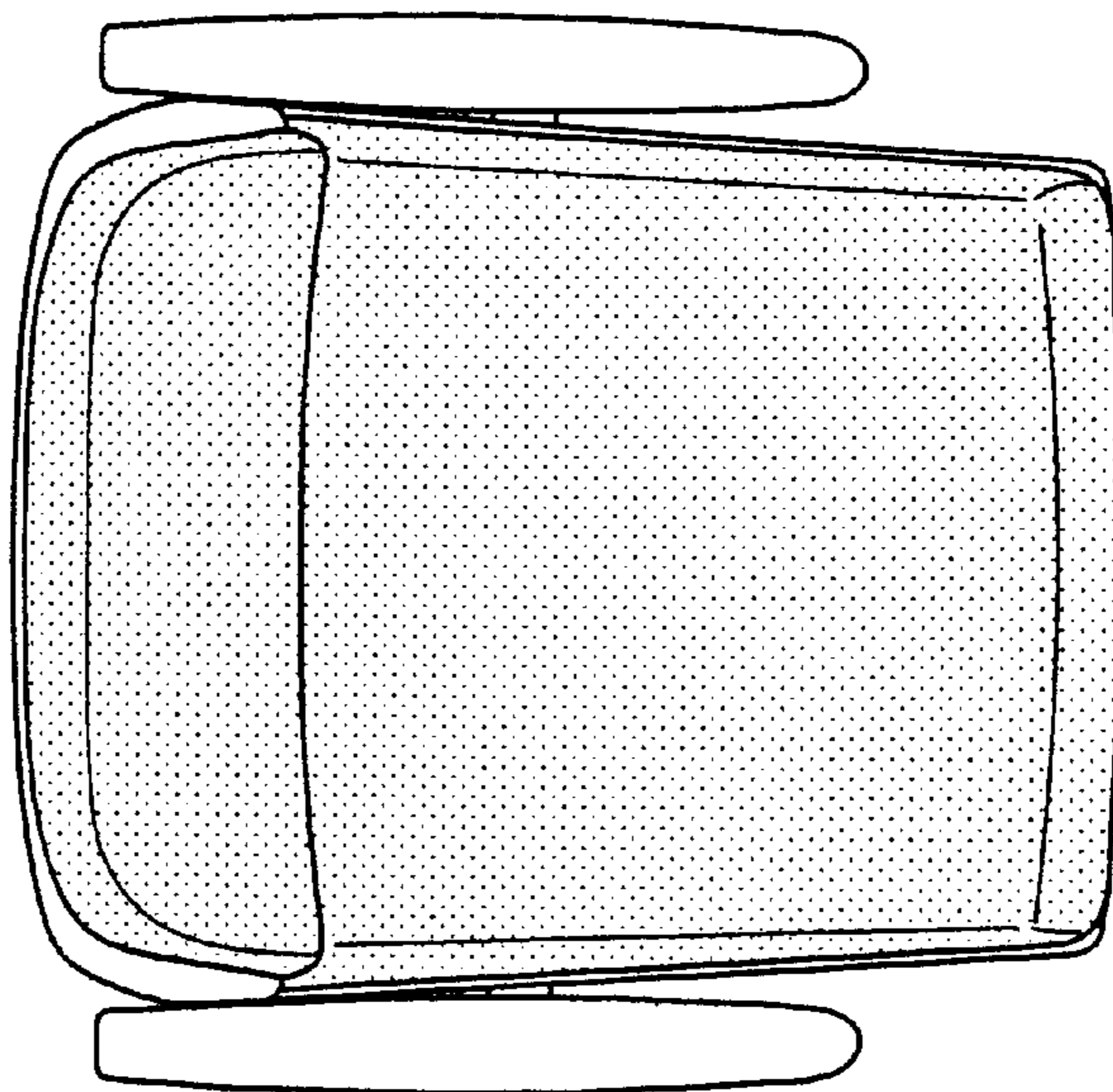


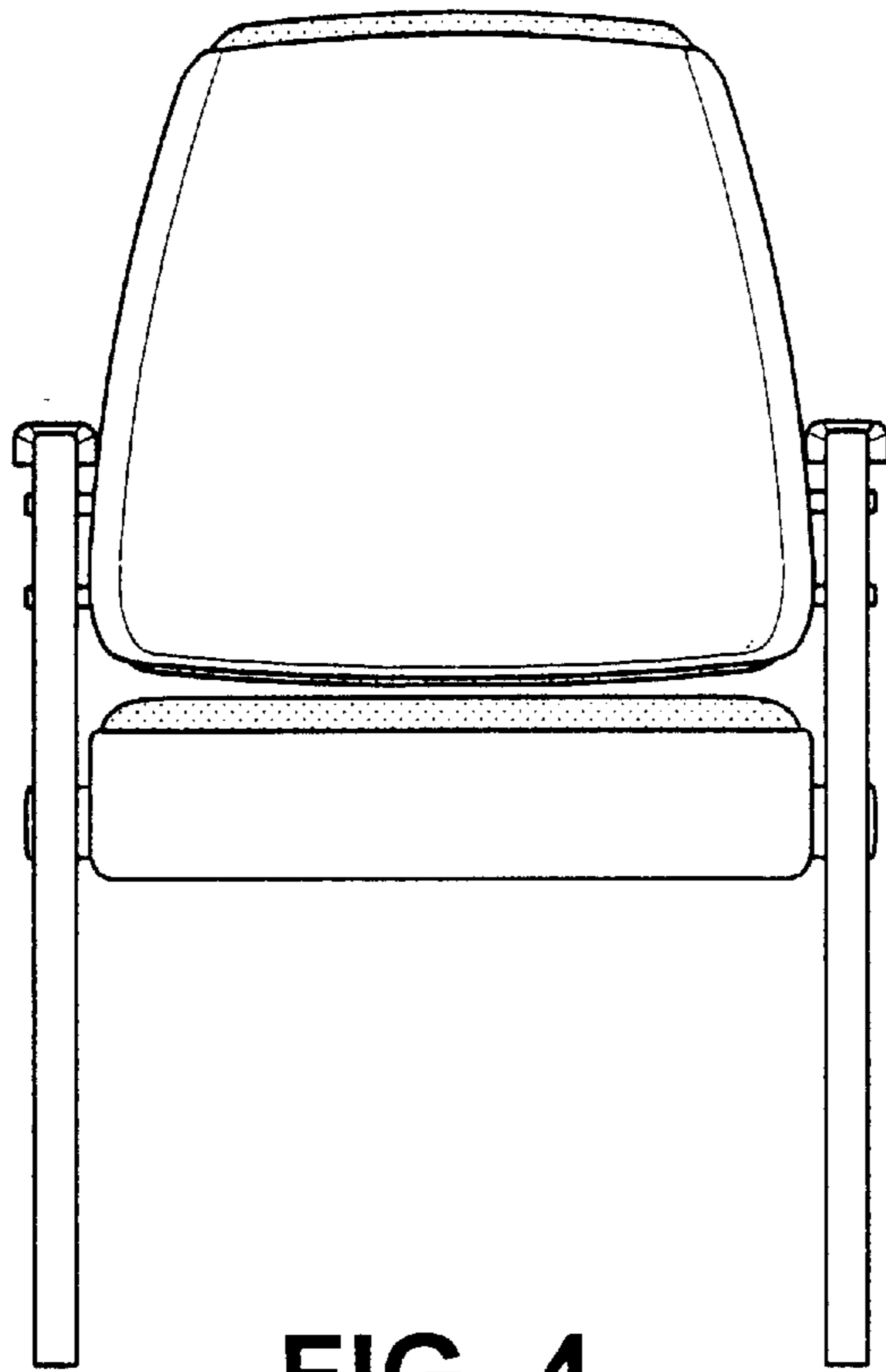
FIG. 1



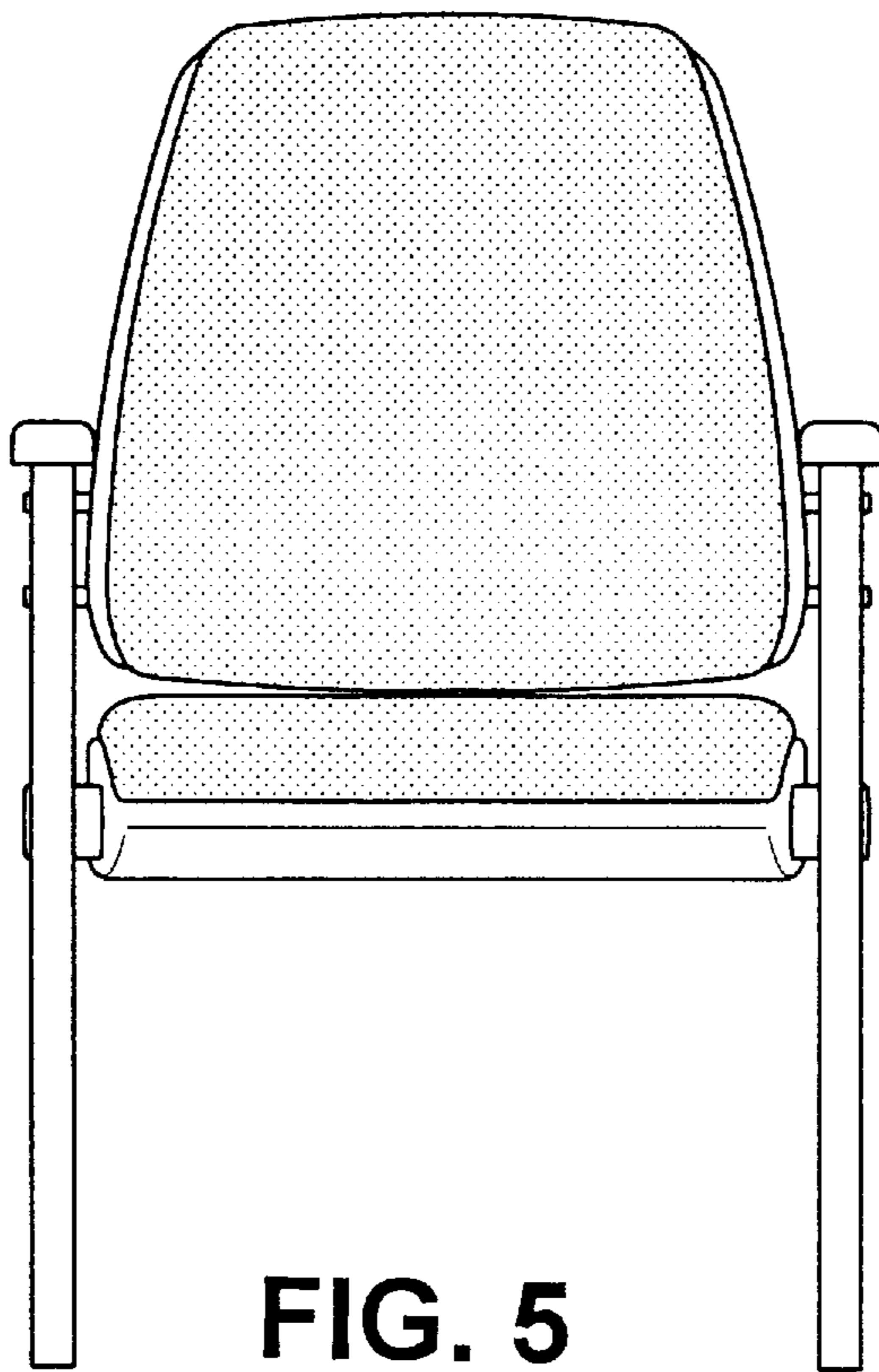
**FIG. 2**



**FIG. 3**



**FIG. 4**



**FIG. 5**



UNITED STATES PATENT AND TRADEMARK OFFICE  
**CERTIFICATE OF CORRECTION**

PATENT NO. : Des. 479,657 S  
DATED : September 16, 2003  
INVENTOR(S) : Calatrava Valls

Page 1 of 4

It is certified that error appears in the above-identified patent and that said Letters Patent is hereby corrected as shown below:

The title page showing the illustrative figure should be deleted and replaced with the attached title page.

Drawings.

Drawing sheets 1 and 2 consisting of Figs 1-3, should be deleted and replaced with sheets 1 and 2, consisting of Figs 1-3 as shown on the attached pages.

Signed and Sealed this

Sixth Day of July, 2004

A handwritten signature in black ink that reads "Jon W. Dudas". The signature is written in a cursive style with a large, looped initial "J".

---

JON W. DUDAS  
*Acting Director of the United States Patent and Trademark Office*

(12) **United States Design Patent** (10) Patent No.: **US D479,657 S**  
**Calatrava Valls** (45) Date of Patent: **\*\* Sep. 16, 2003**

(54) **CHAIR** D381,214 S \* 7/1997 Hanev et al. .... D6/368  
 5,681,085 A \* 10/1997 Nahoul ..... 297/302.1  
 5,899,531 A \* 5/1999 Koehler ..... 297/335  
 D446,035 S \* 8/2001 Hanev ..... D6/368  
 D447,642 S \* 9/2001 Kimura ..... D6/368  
 6,523,900 B1 \* 2/2003 Conner et al. .... 297/331

(76) Inventor: **Santiago Calatrava Valls**, Höschgasse  
 5, Zurich, CH 8008 (CH)

(\*\*) Term: **14 Years**

(21) Appl. No.: **29/173,346**

(22) Filed: **Dec. 27, 2002**

(30) **Foreign Application Priority Data**

Jul. 18, 2002 (ES) ..... 154667

(51) LOC (7) Cl. .... **06-01**

(52) U.S. Cl. .... **D6/368; D6/371**

(58) Field of Search ..... D6/334, 335, 356,  
 D6/364, 365, 368, 371, 381, 500-502;  
 297/232, 302.1, 331, 335, 354.1, 411.44,  
 411.45, 451.3

(56) **References Cited**

**U.S. PATENT DOCUMENTS**

D111,317 S \* 9/1938 Bond, Jr. .... D6/502  
 D127,888 S \* 6/1941 Gedris ..... D6/502  
 3,182,377 A \* 5/1965 Hoven et al. .... 297/331  
 D226,058 S \* 1/1973 Woods ..... D6/368  
 D252,482 S \* 7/1979 Blodde ..... D6/368

\* cited by examiner

*Primary Examiner*—Doris V. Coles

*Assistant Examiner*—Mimosa De

(74) *Attorney, Agent, or Firm*—Collard & Roe, P.C.

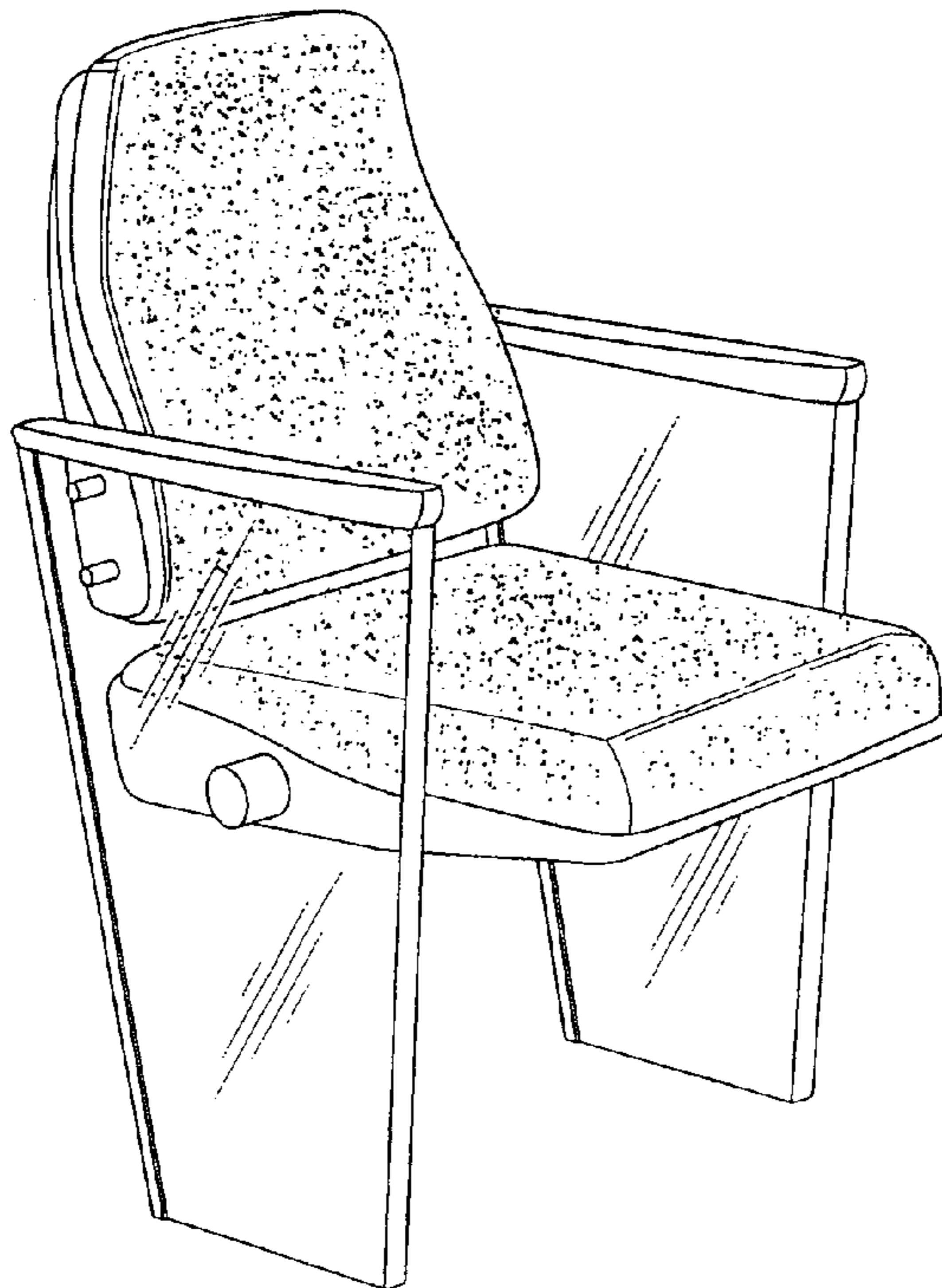
(57) **CLAIM**

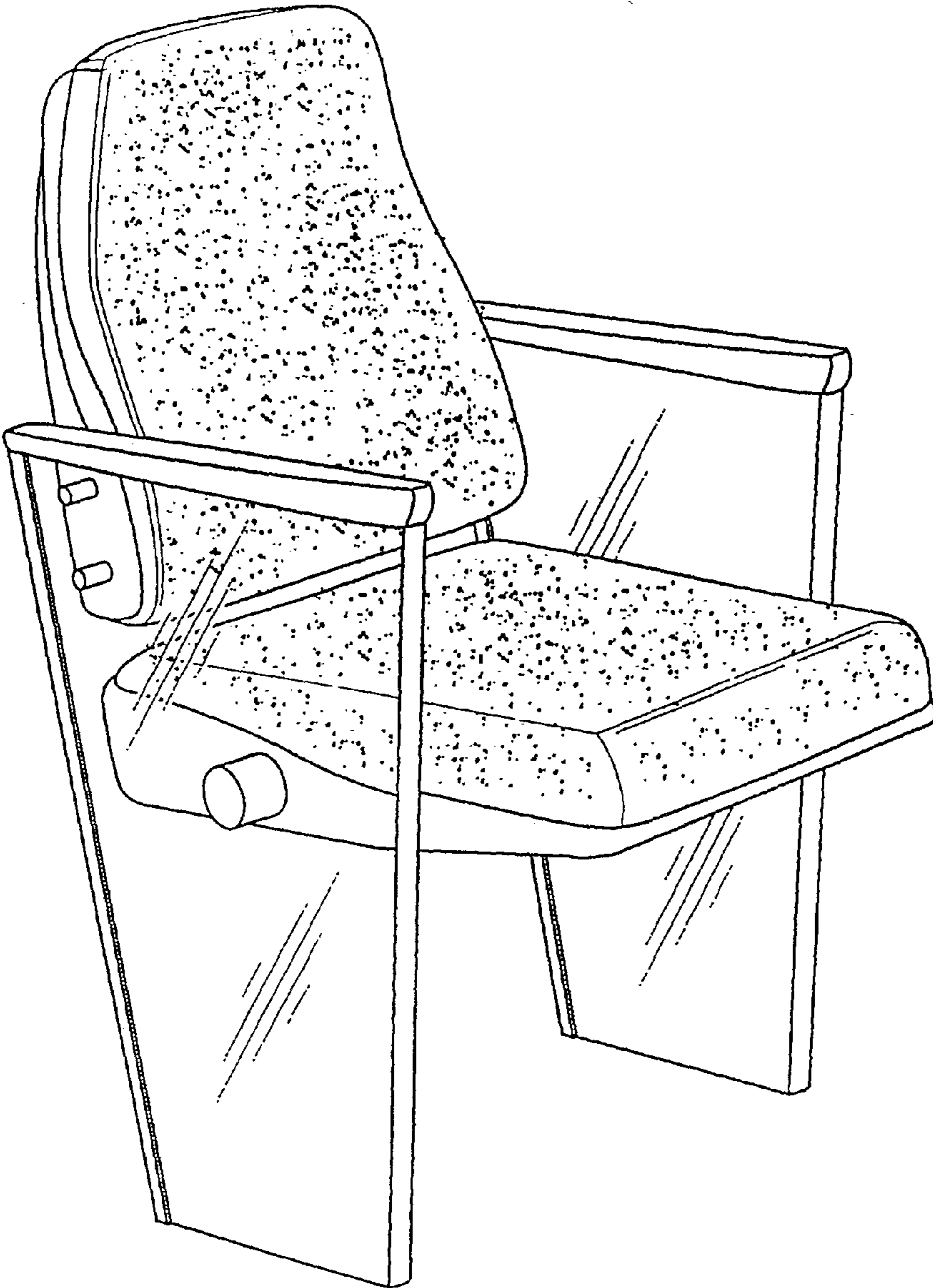
The ornamental design for a chair, as shown and described.

**DESCRIPTION**

FIG. 1 shows a perspective view of my design for a chair;  
 FIG. 2 shows a side view thereof, with the opposite side  
 being a mirror image thereof;  
 FIG. 3 shows a top view thereof;  
 FIG. 4 shows a rear view thereof; and,  
 FIG. 5 shows a front view thereof.  
 The bottom view forms no part of the design.  
 The dotted pattern shown on the seat and backrest represents  
 fabric material.

**1 Claim, 3 Drawing Sheets**





**FIG. 1**

---

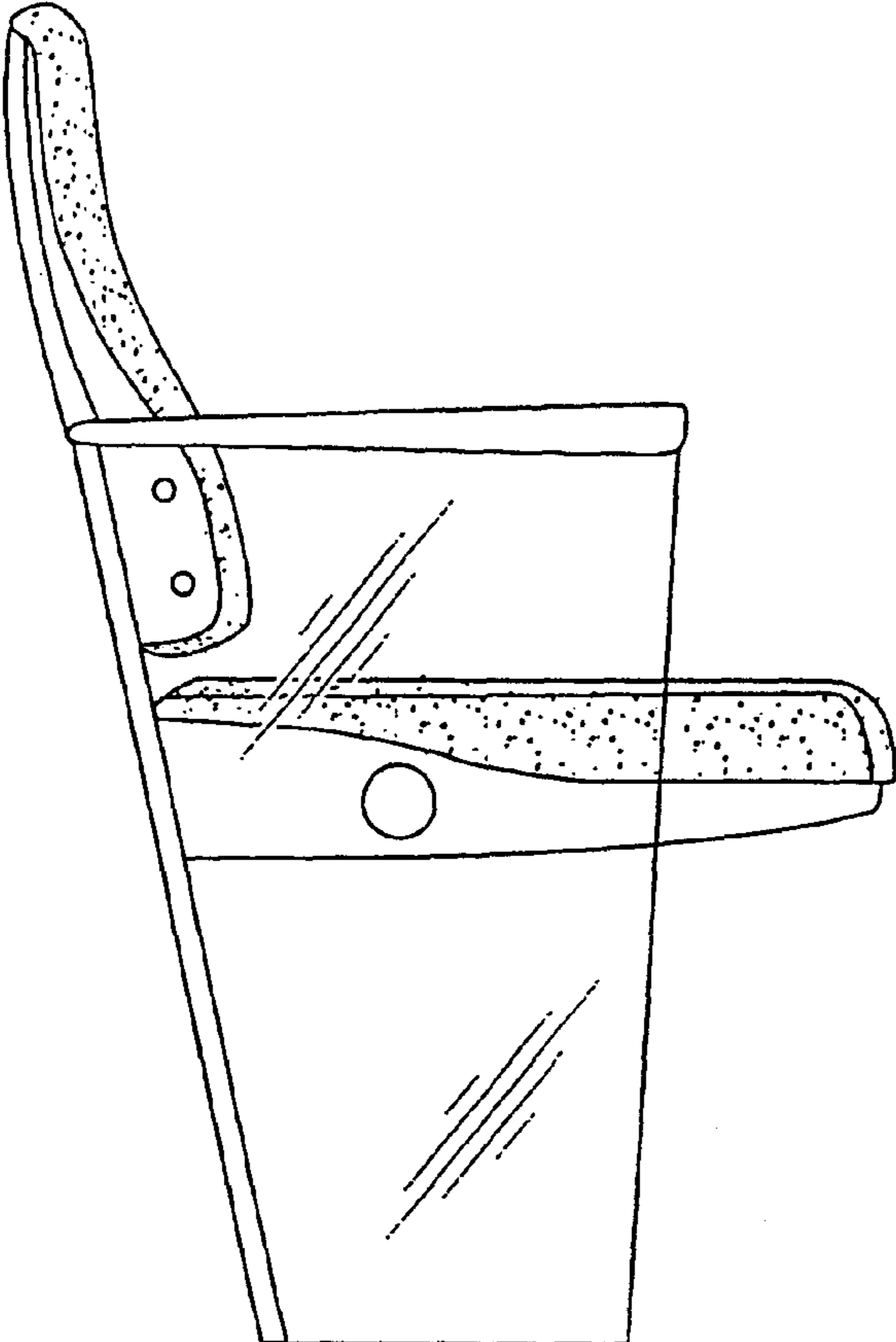


Fig. 2

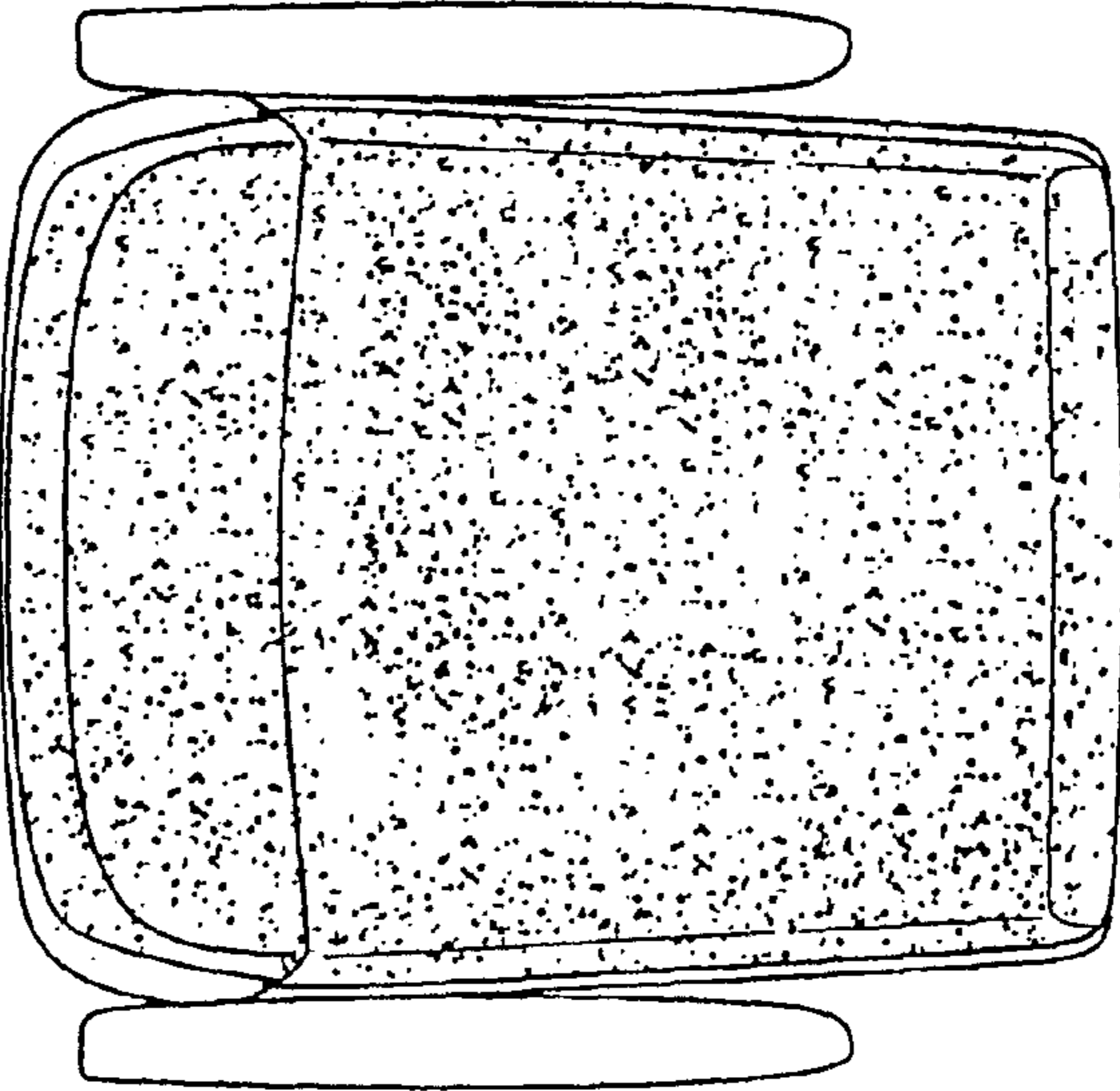


Fig. 3