



US00D479655S

(12) **United States Design Patent**
Bellini et al.

(10) **Patent No.:** **US D479,655 S**

(45) **Date of Patent:** **** Sep. 16, 2003**

(54) **CHAIR**

(75) Inventors: **Mario Bellini**, Milan (IT); **Claudio F Bellini**, Milan (IT)

(73) Assignee: **Vitra Patente AG**, MuttENZ (CH)

(**) Term: **14 Years**

(21) Appl. No.: **29/138,615**

(22) Filed: **Mar. 16, 2001**

(51) **LOC (7) Cl.** **06-01**

(52) **U.S. Cl.** **D6/366; D6/341**

(58) **Field of Search** D6/334, 335, 336,
D6/341, 364, 365, 366, 367, 500, 501,
502; 297/127, 160, 411.2, 411.27, 411.36,
452.32

D436,259 S * 1/2001 Nagamitsu D6/366
D436,456 S * 1/2001 Neil D6/366
D437,497 S 2/2001 Bräuning
D437,701 S 2/2001 Bellini et al.
D445,581 S * 7/2001 Su D6/366
D449,174 S * 10/2001 Neil D6/366

FOREIGN PATENT DOCUMENTS

WO 9325121 12/1993

* cited by examiner

Primary Examiner—Gary D. Watson

(74) *Attorney, Agent, or Firm*—Selitto Behr & Kim

(57) **CLAIM**

The ornamental design for a chair, as shown and described.

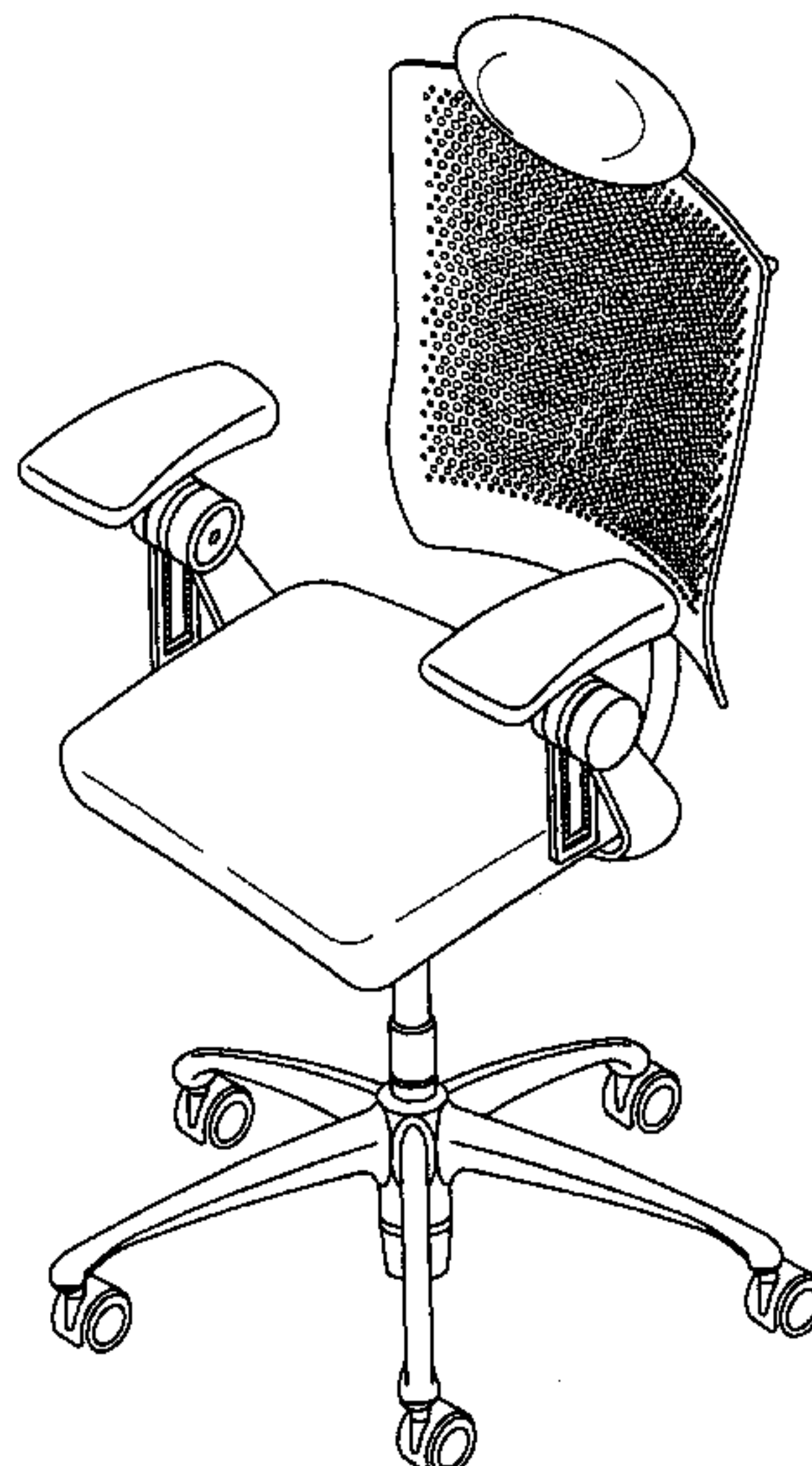
DESCRIPTION

FIG. 1 is a front perspective view of a chair showing my new design;
FIG. 2 is a front elevational view thereof;
FIG. 3 is a rear elevational view thereof;
FIG. 4 is a left side elevational view thereof, the right side elevational view being essentially a mirror image thereof;
FIG. 5 is a top plan view thereof;
FIG. 6 is a bottom plan view thereof;
FIG. 7 is a front elevational view of a second embodiment of a chair which is essentially identical to the one shown in FIGS. 1–6, except that the seat is made from a different cover material, and the back, arm and head rests are also made from a similar cover material;
FIG. 8 is a front elevational view of a third embodiment of a chair which is essentially identical to the one shown in FIGS. 1–6, except that the right arm rest is replaced by a tray;
FIG. 9 is a right side elevational view of the chair shown in FIG. 8; and,
FIG. 10 is a top plan view of the chair shown in FIGS. 8 and 9.

(56) **References Cited**
U.S. PATENT DOCUMENTS

725,186 A * 4/1903 Whitcome 297/160
D160,368 S * 10/1950 Centerbar D6/341
D190,588 S * 6/1961 Christenson et al. D6/341
D199,027 S * 9/1964 Conde D6/341
D211,461 S 6/1968 Walkinshaw
D264,643 S 6/1982 Pelly
D275,053 S 8/1984 Stephens
D327,781 S 7/1992 Citterio
D327,782 S 7/1992 Citterio
D345,060 S 3/1994 Duncan
D351,070 S 10/1994 Scheper et al.
D362,973 S 10/1995 Schultz
D372,595 S 8/1996 Schultz et al.
D375,009 S 10/1996 Webb
D390,712 S * 2/1998 Koepke et al. D6/366
D398,163 S 9/1998 Desanta
D407,911 S 4/1999 Brauning
D410,799 S 6/1999 Meda
D417,793 S 12/1999 Ritch et al.
D423,260 S * 4/2000 Grove D6/500
D434,575 S * 12/2000 Deacon D6/366

1 Claim, 10 Drawing Sheets



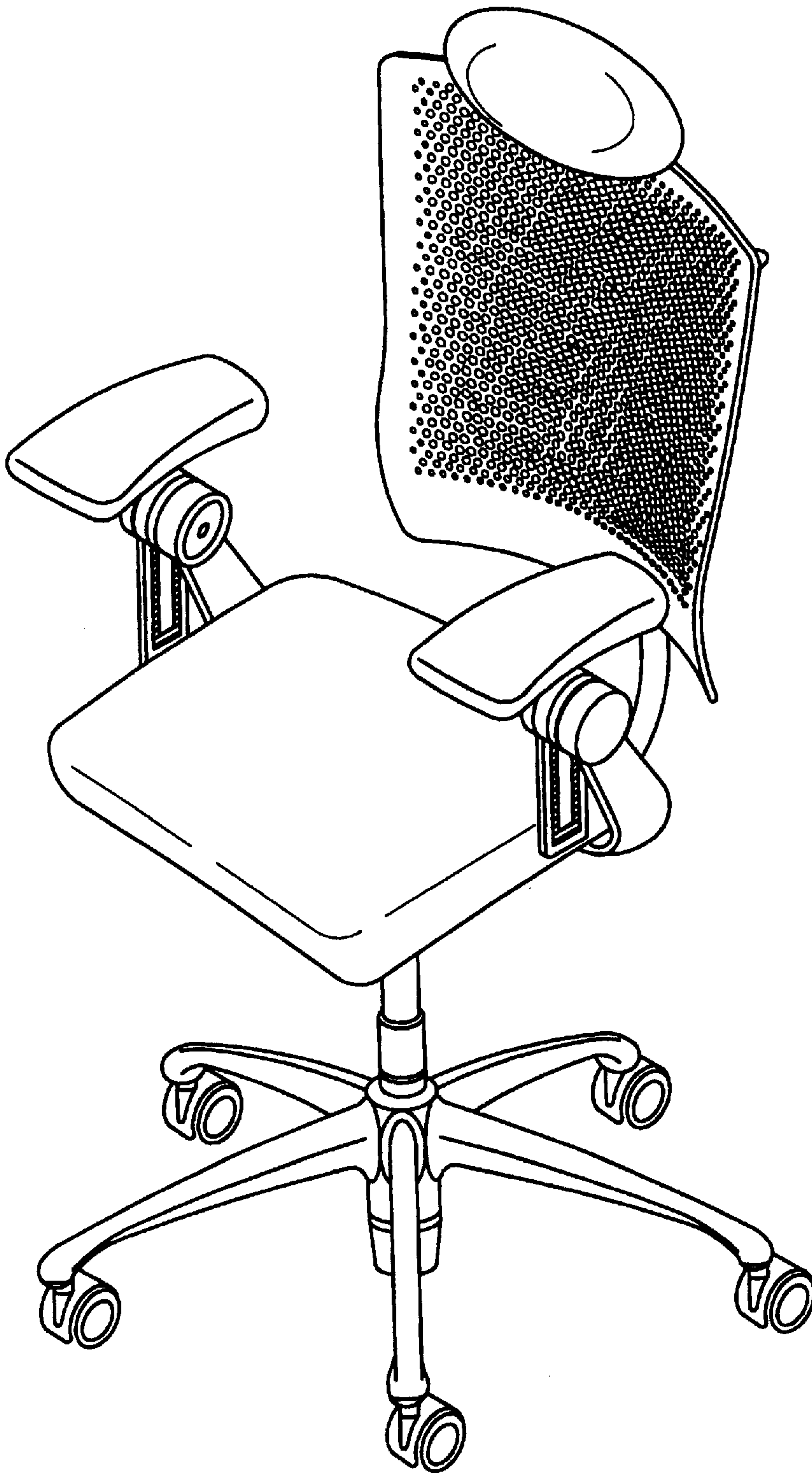


FIG. 1

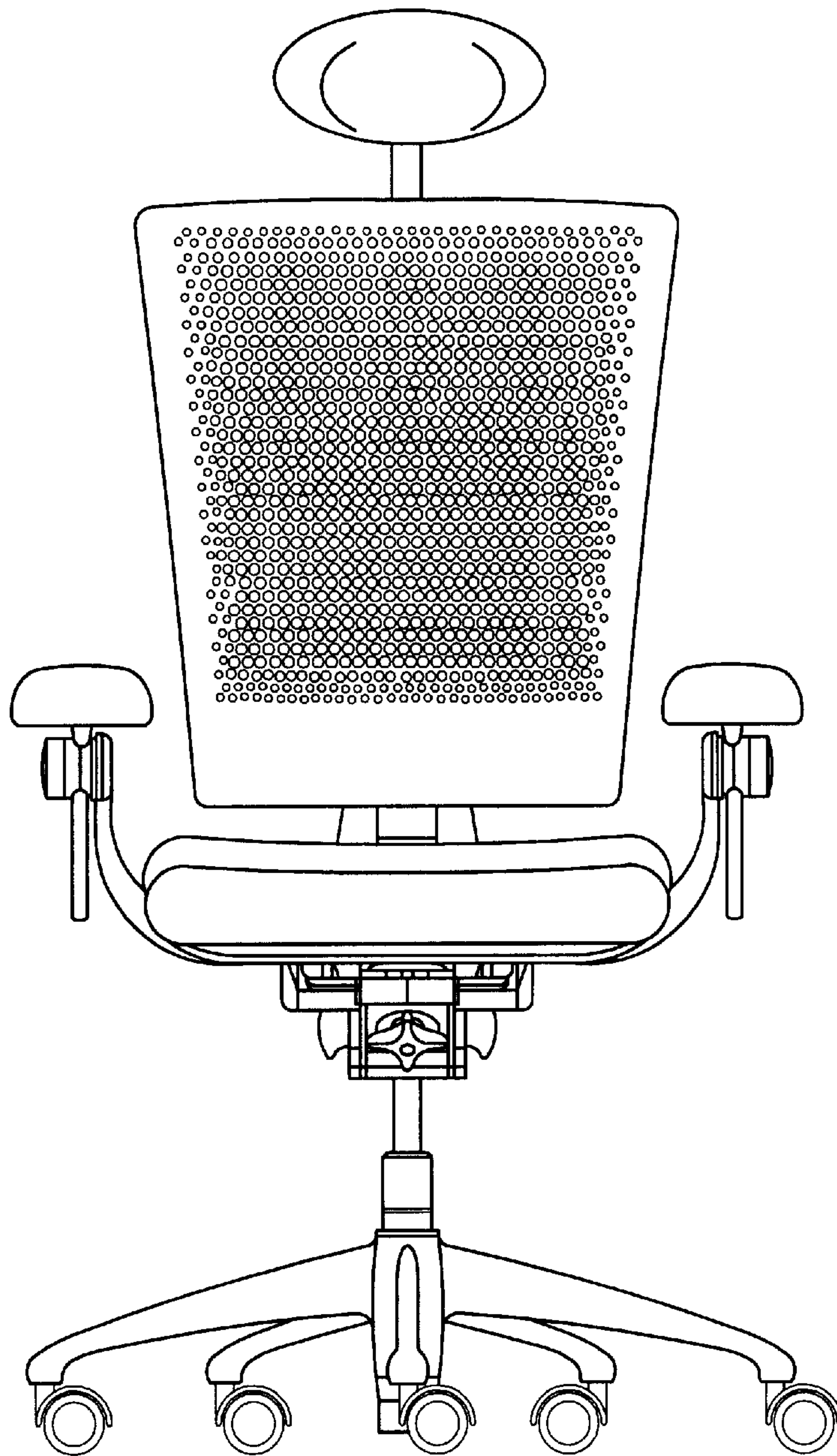


FIG. 2

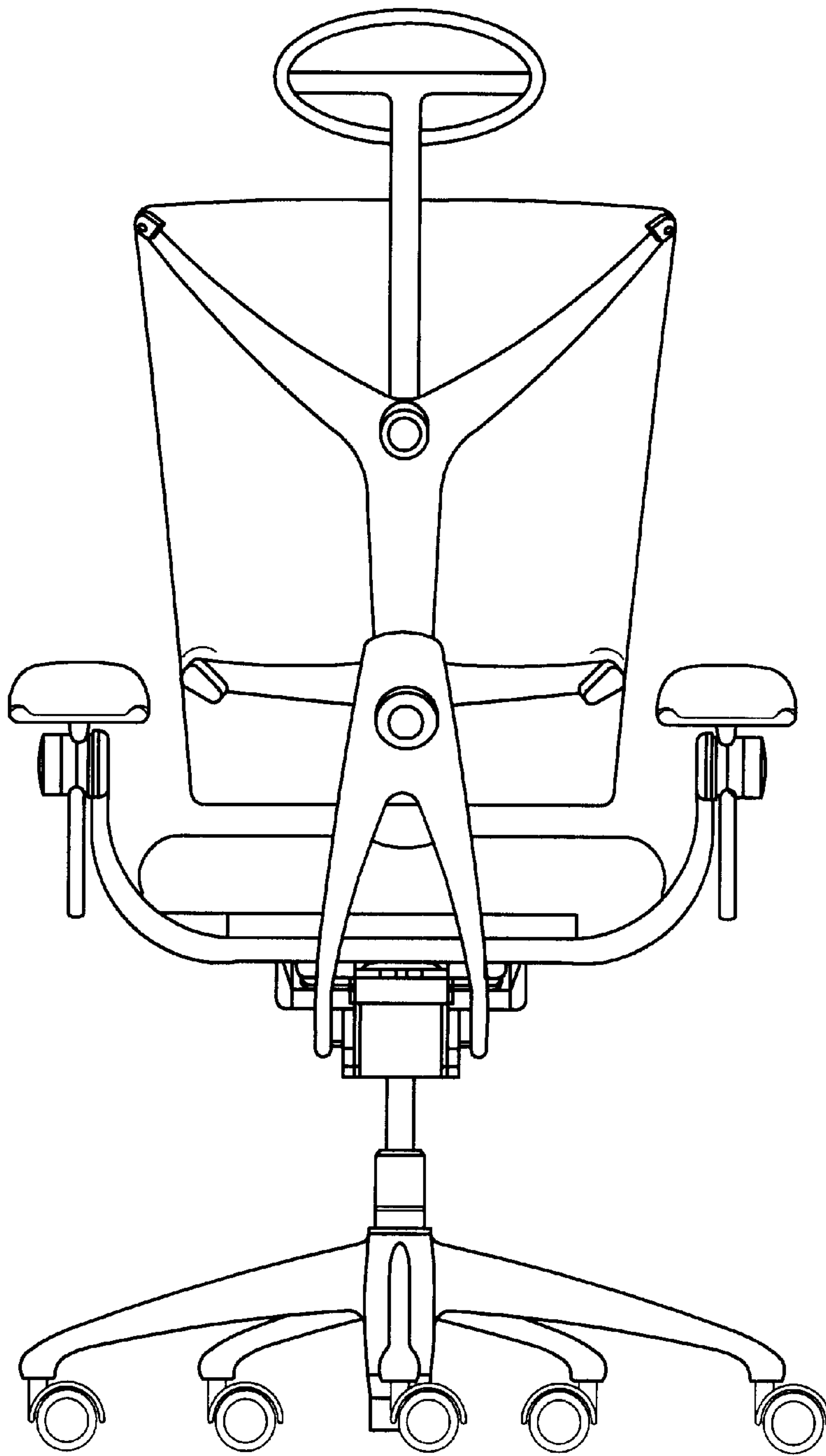


FIG. 3

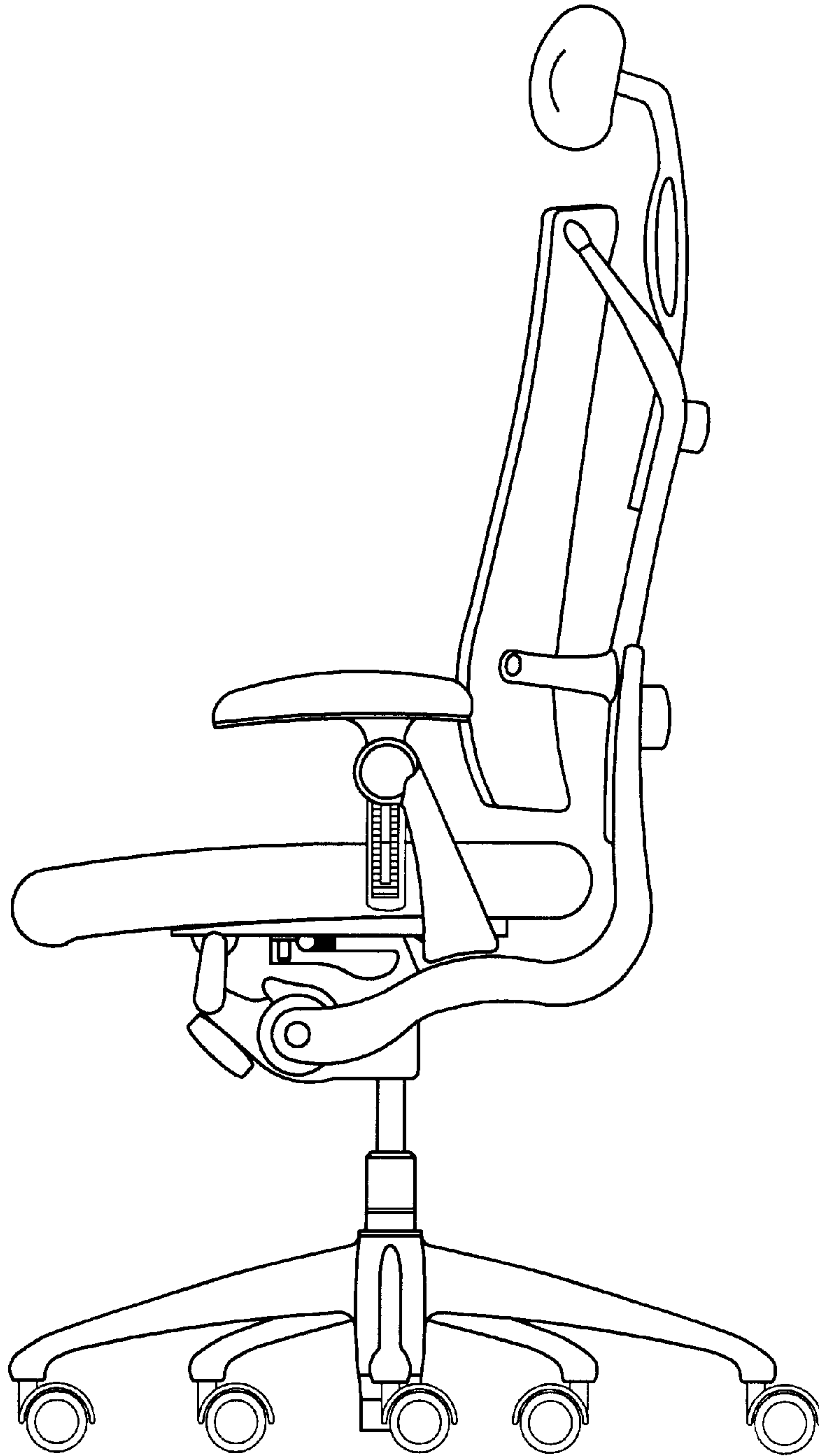


FIG. 4

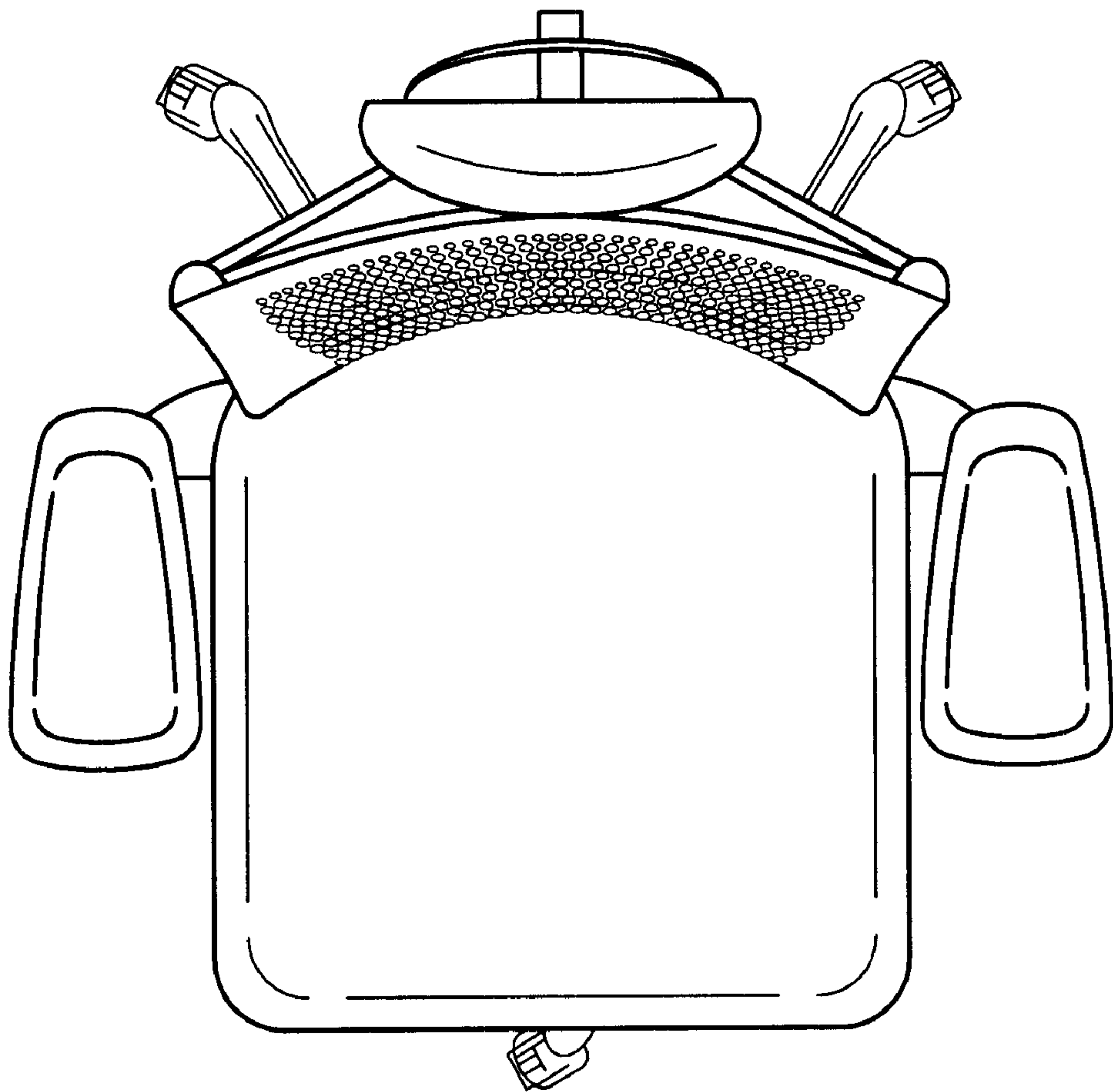


FIG. 5

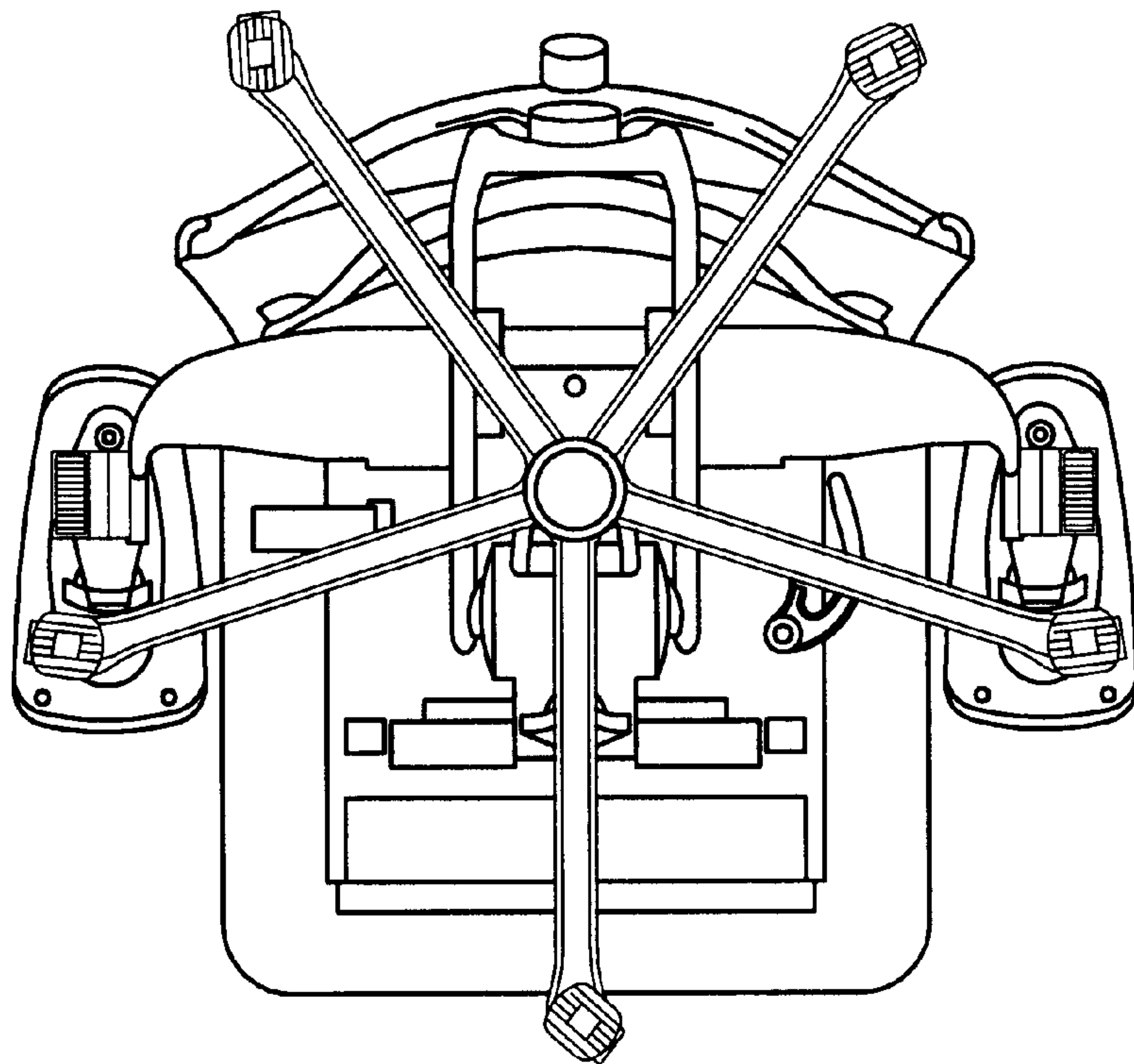


FIG. 6

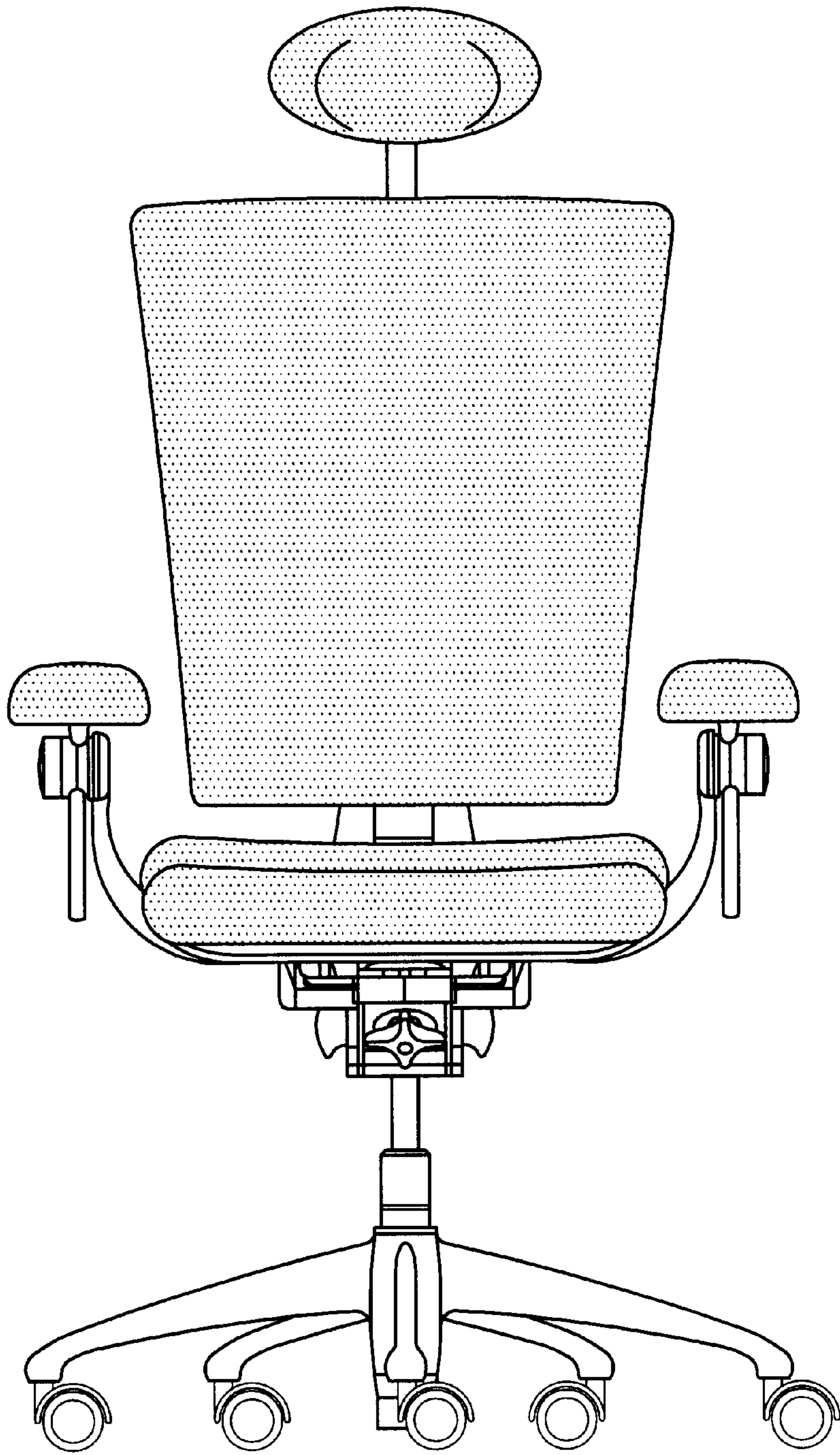


FIG. 7

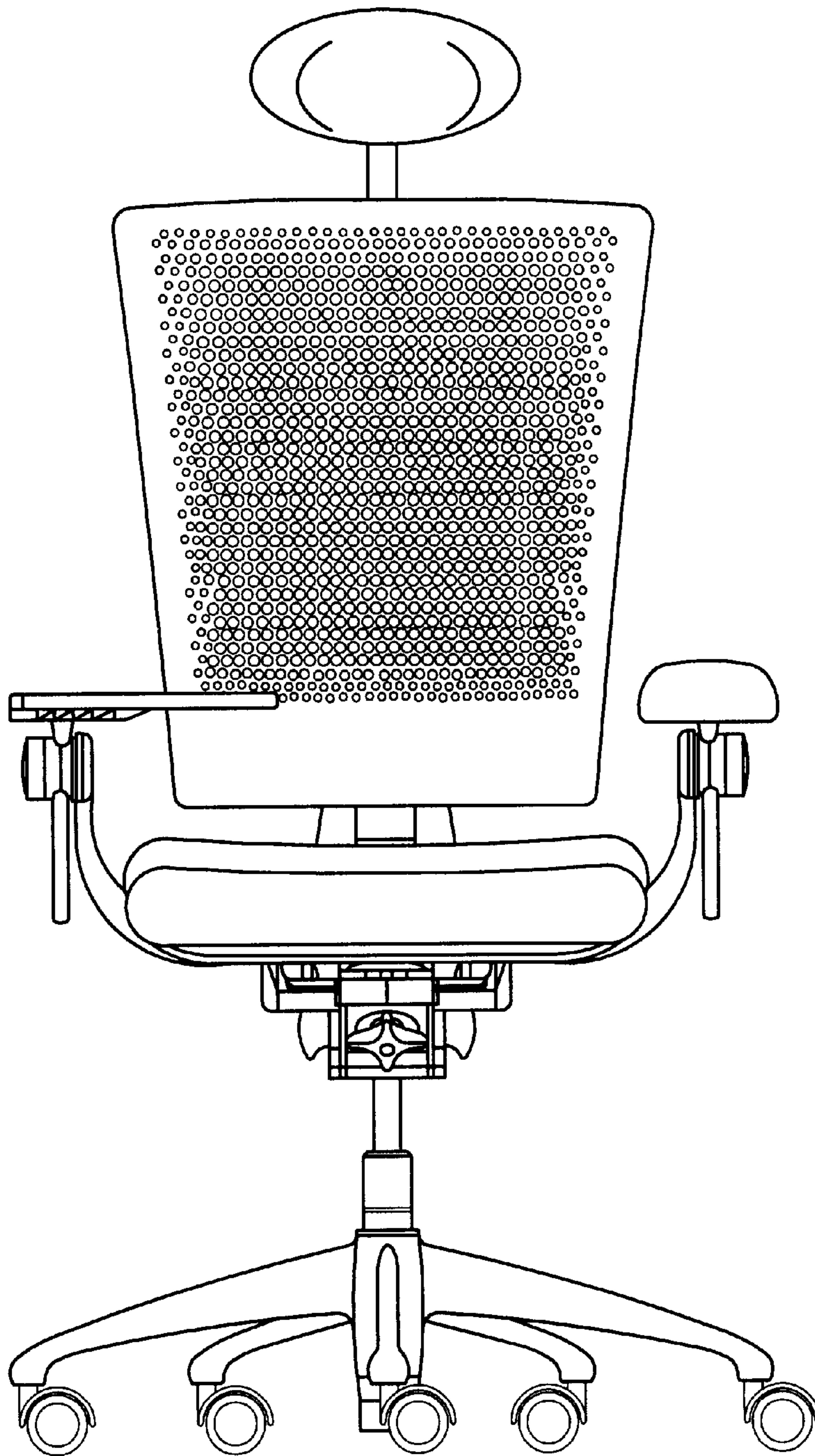


FIG. 8

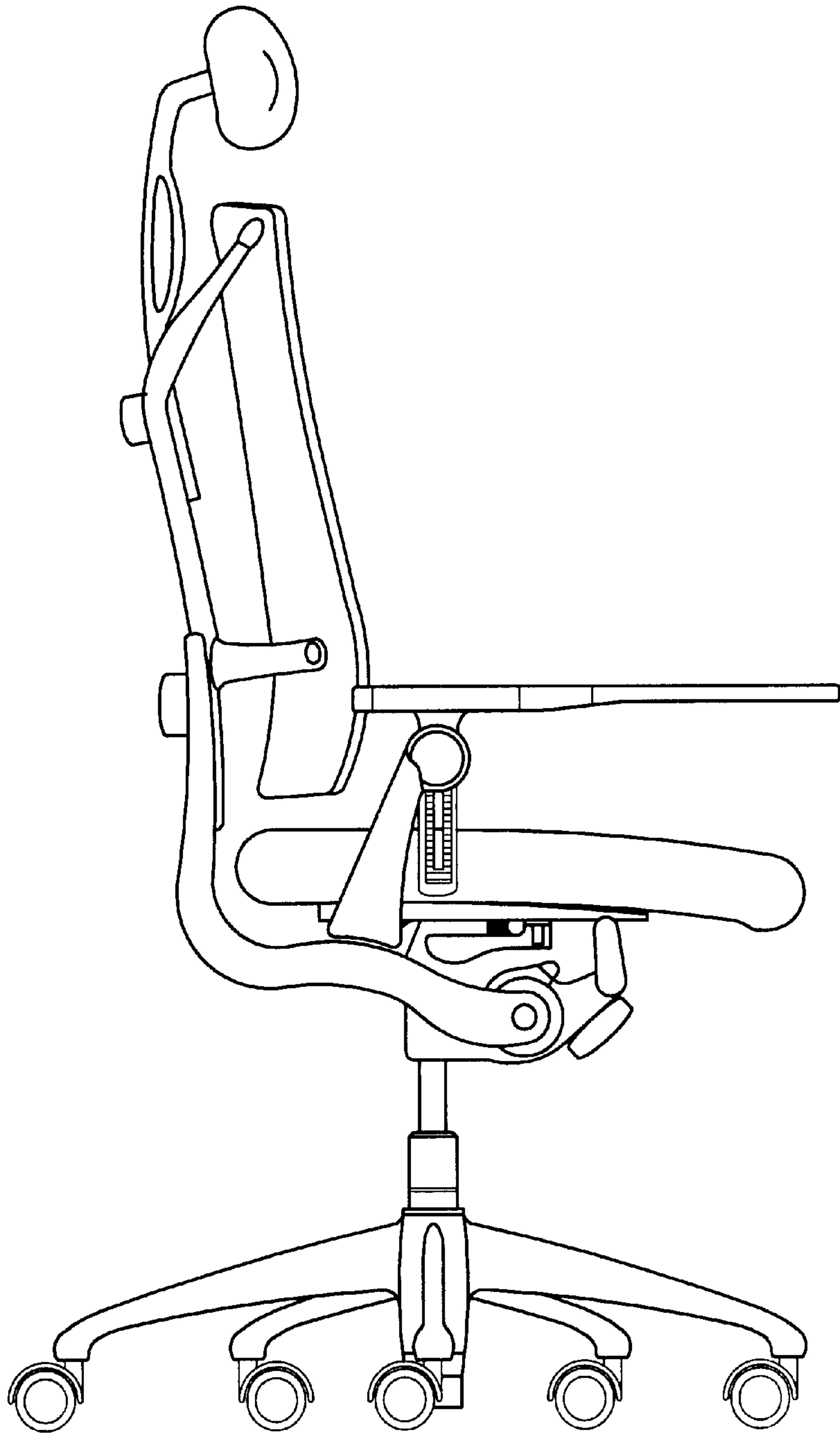


FIG. 9

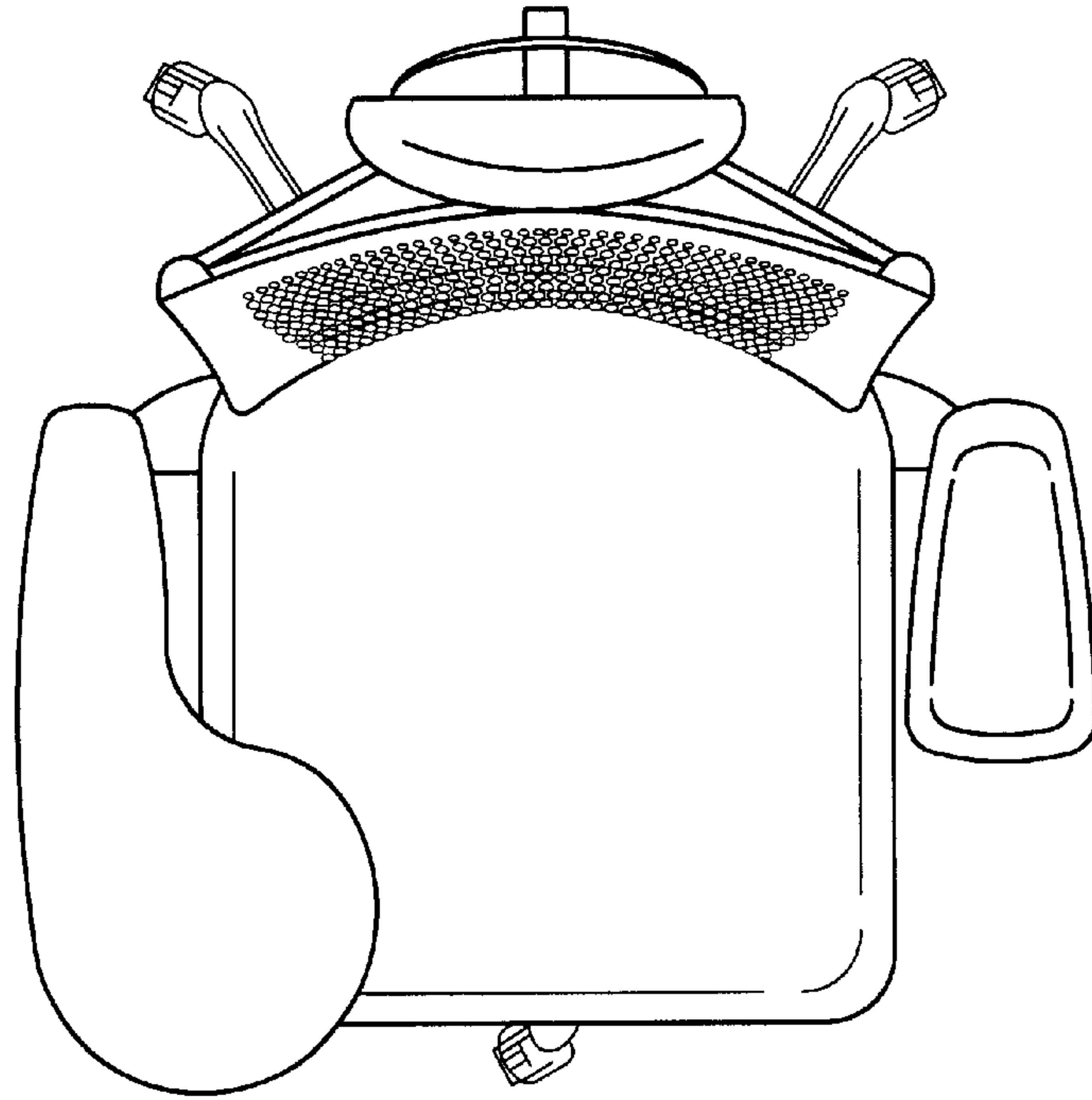


FIG. 10