



US00D479650S

(12) **United States Design Patent**  
**Kan**

(10) **Patent No.:** **US D479,650 S**

(45) **Date of Patent:** **\*\* Sep. 16, 2003**

(54) **BALL HOLDER**

(75) Inventor: **Elvin Man Kit Kan**, Hong Kong (HK)

(73) Assignee: **Benison Industrial Co. Ltd.**, Wan Chai (HK)

(\*\*) Term: **14 Years**

(21) Appl. No.: **29/173,470**

(22) Filed: **Dec. 30, 2002**

(51) **LOC (7) Cl.** ..... **03-01**

(52) **U.S. Cl.** ..... **D3/257; D21/796**

(58) **Field of Search** ..... **D3/201, 254, 257, D3/315; D21/789, 796; D6/552; 224/919; 206/315.1**

(56) **References Cited**

**U.S. PATENT DOCUMENTS**

3,768,709 A	*	10/1973	Kinard	.....	224/248
D233,614 S	*	11/1974	Kinard	.....	D3/221
3,980,215 A	*	9/1976	Schwarzbauer	.....	224/666
D332,350 S	*	1/1993	Anderson	.....	D3/257
5,238,162 A	*	8/1993	LaCivita	.....	224/250

5,386,906 A	*	2/1995	Lai	.....	206/315.9
D411,603 S	*	6/1999	Duran	.....	D21/796
6,183,120 B1	*	2/2001	Simon	.....	362/551

\* cited by examiner

*Primary Examiner*—Philip S. Hyder

(74) *Attorney, Agent, or Firm*—William H. Eilberg

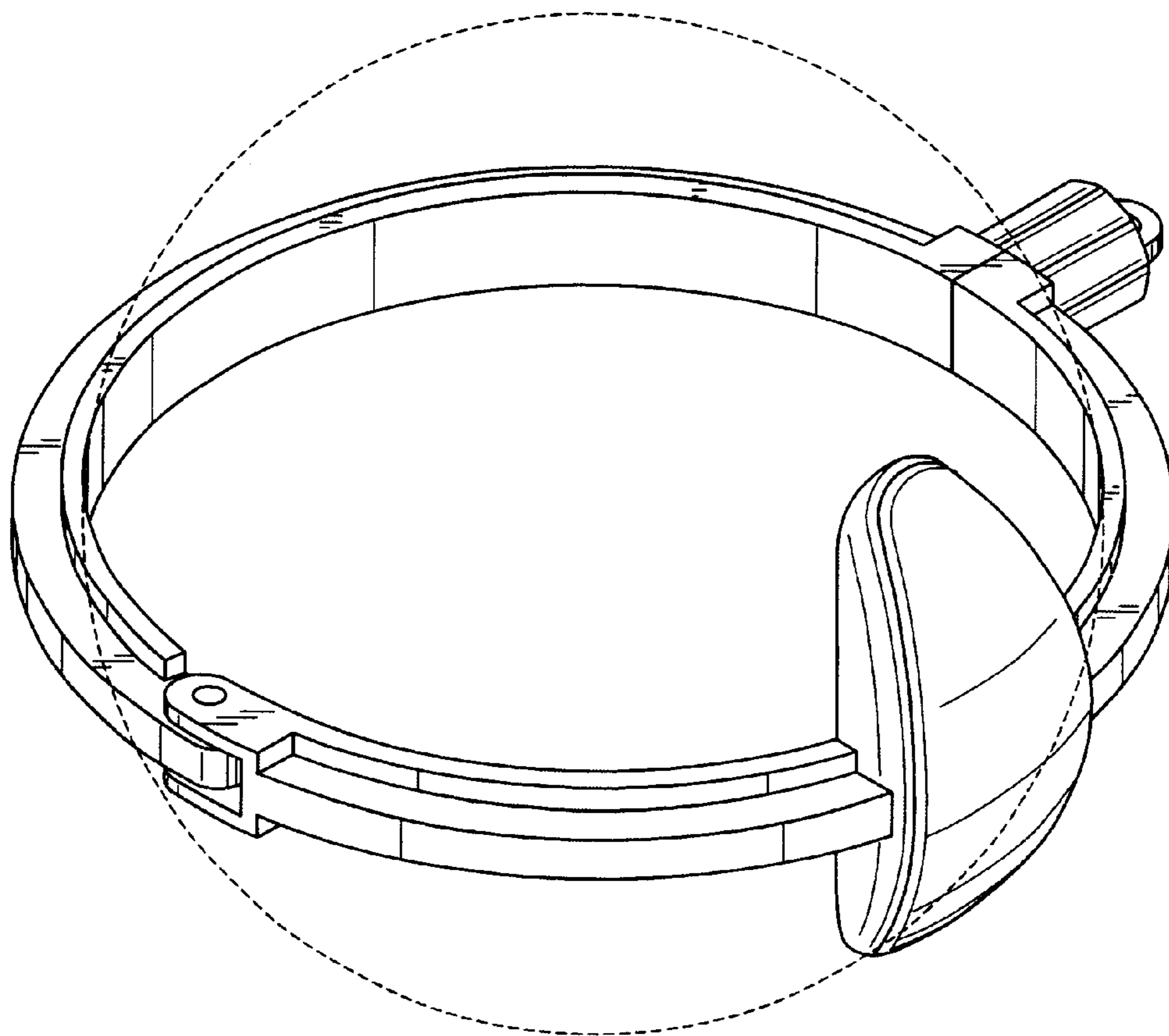
(57) **CLAIM**

The ornamental design for a ball holder, as shown and described.

**DESCRIPTION**

FIG. 1 is a front perspective view of the design;  
 FIG. 2 is a front view;  
 FIG. 3 is a top plan view;  
 FIG. 4 is a rear view;  
 FIG. 5 is a bottom plan view;  
 FIG. 6 is a left side view;  
 FIG. 7 is a right side view; and,  
 FIG. 8 is a front perspective view of the ball holder, wherein the broken line showing of the ball is for illustrative purposes only and forms no part of the claimed design.

**1 Claim, 5 Drawing Sheets**



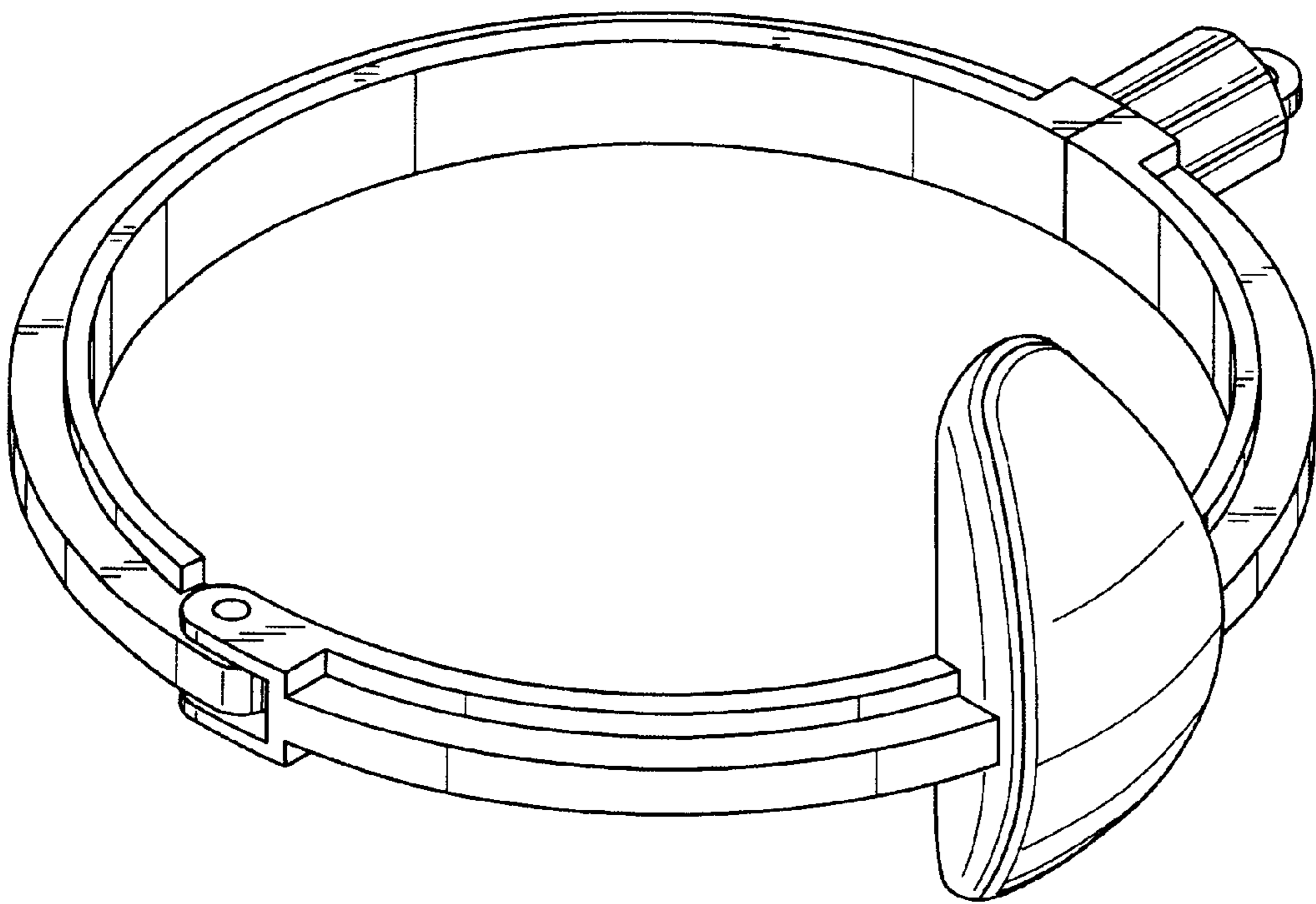


FIG. 1

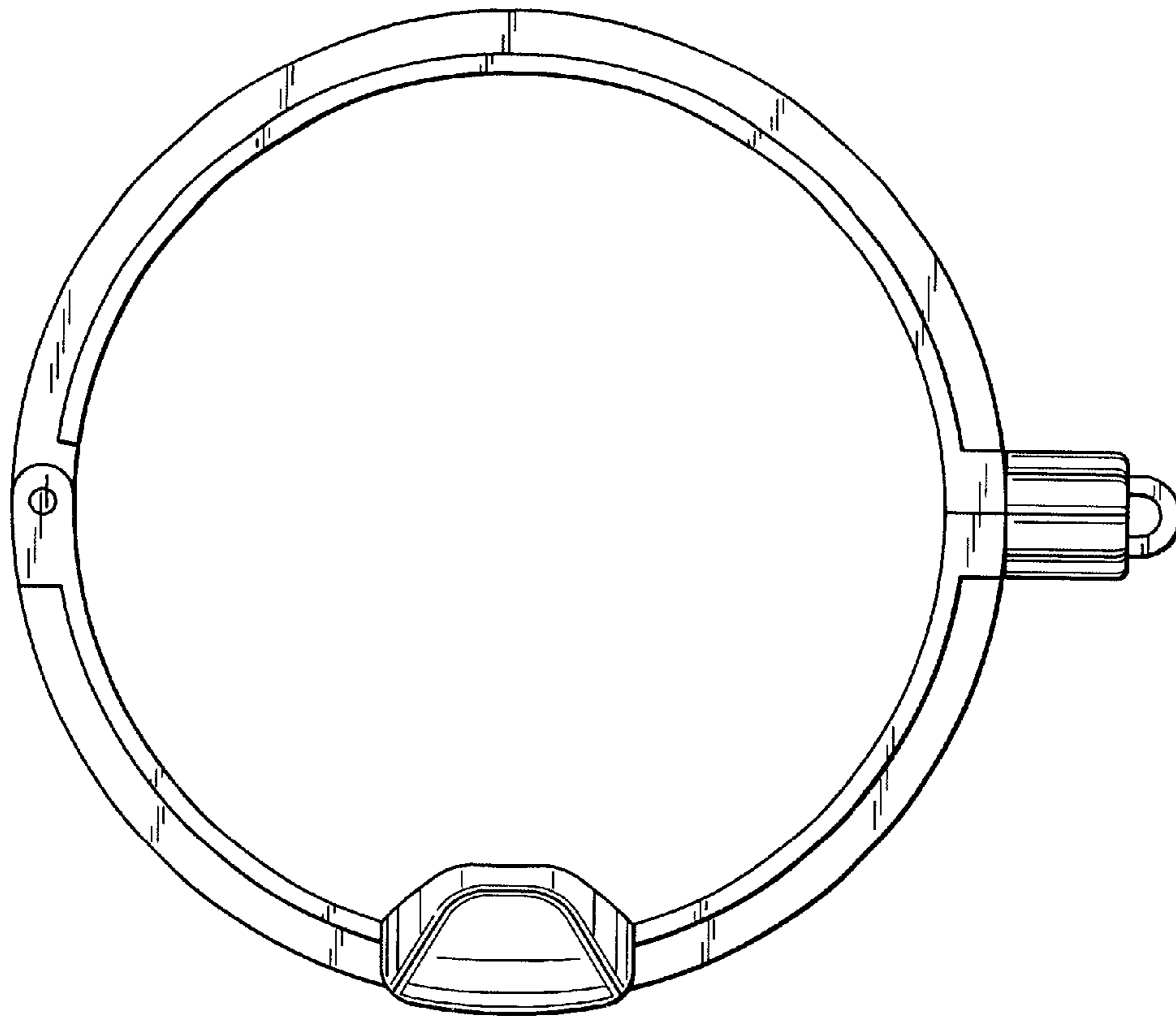


FIG. 3

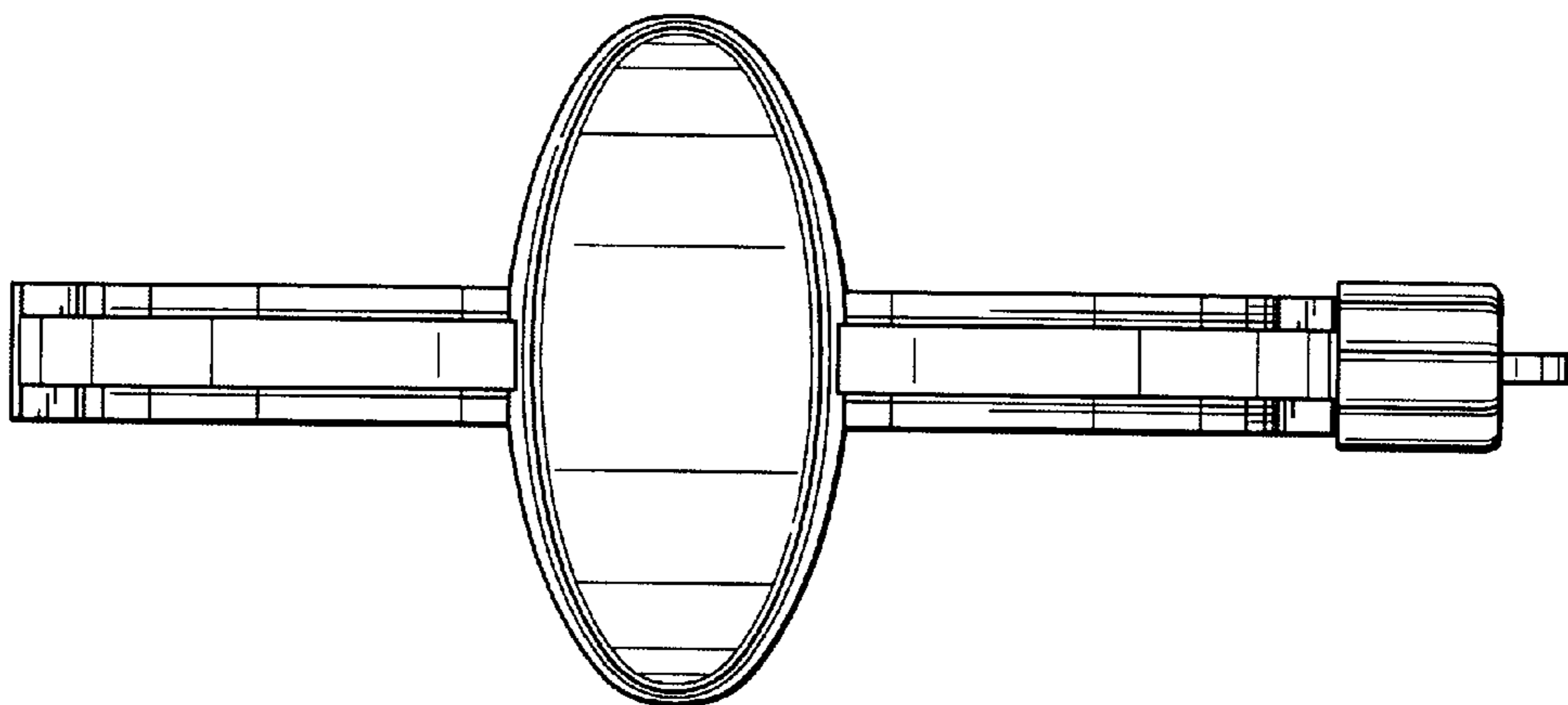


FIG. 2

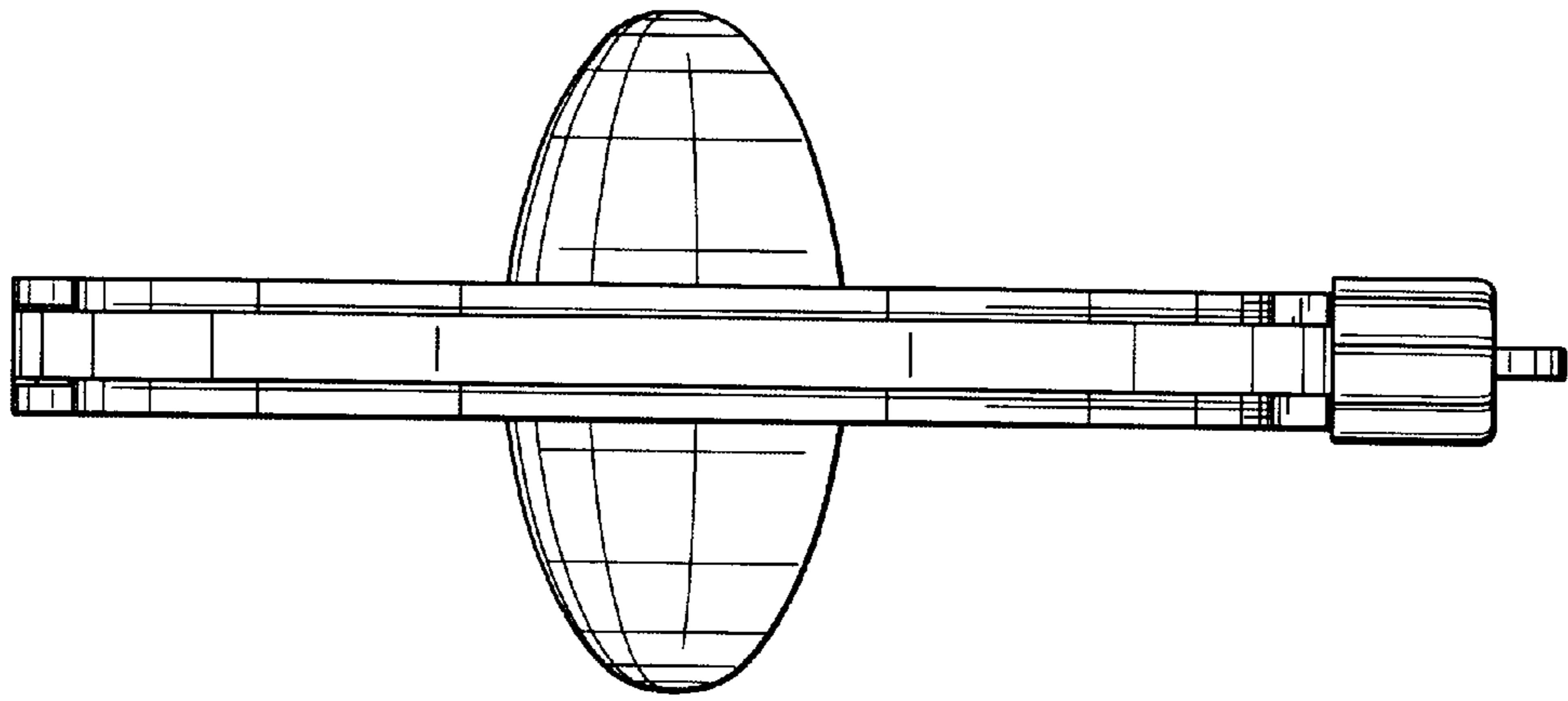


FIG. 4

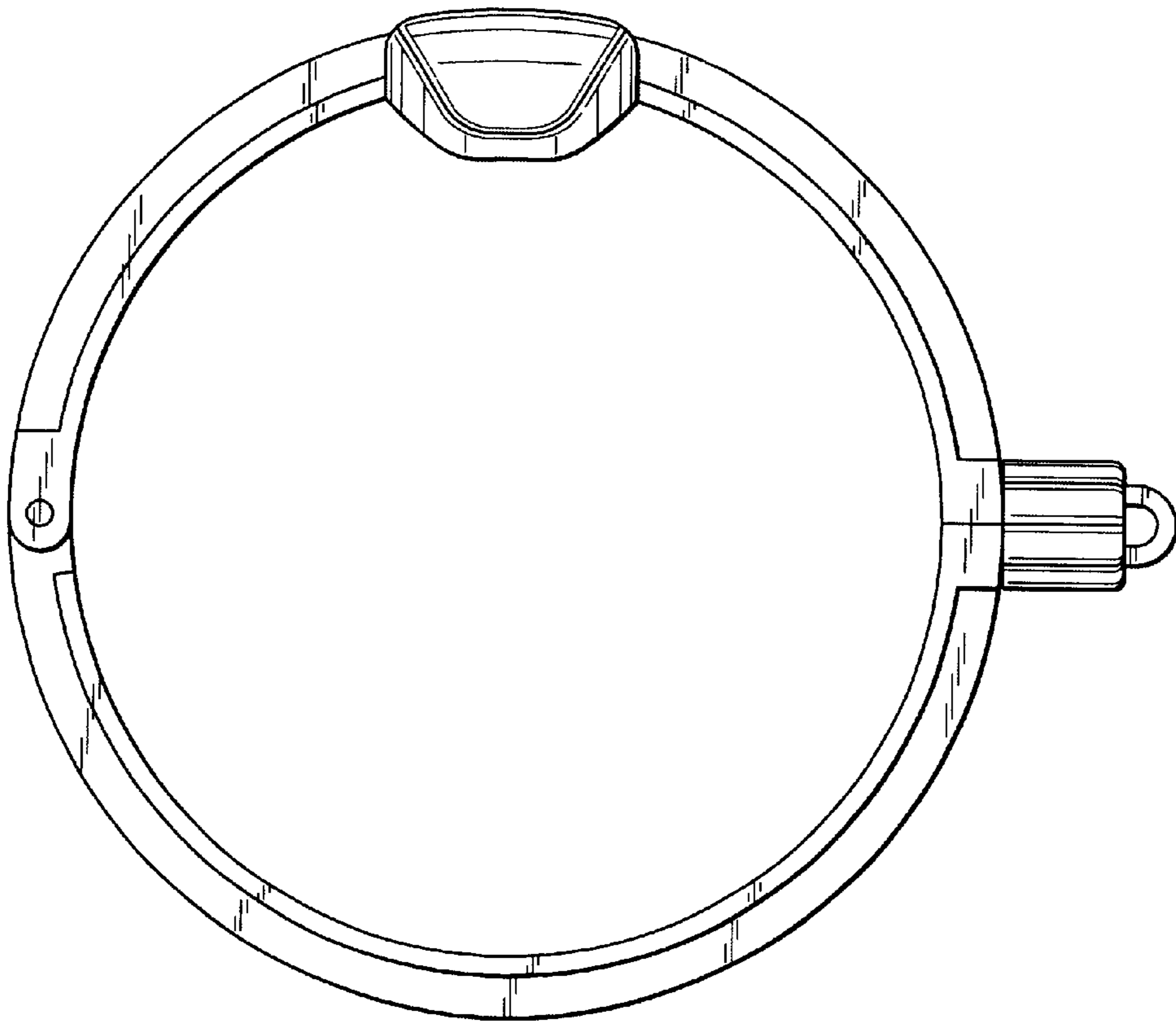


FIG. 5

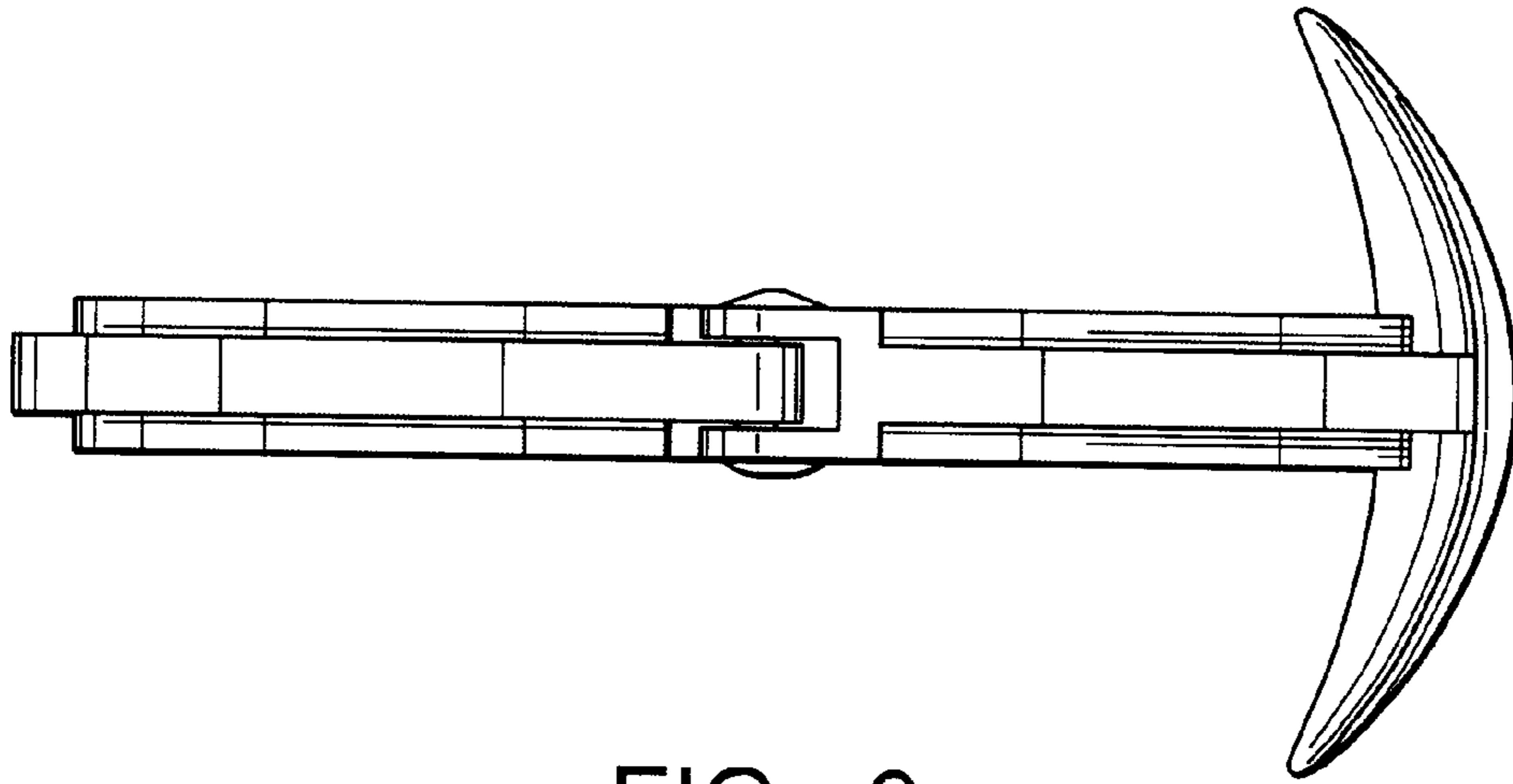


FIG. 6

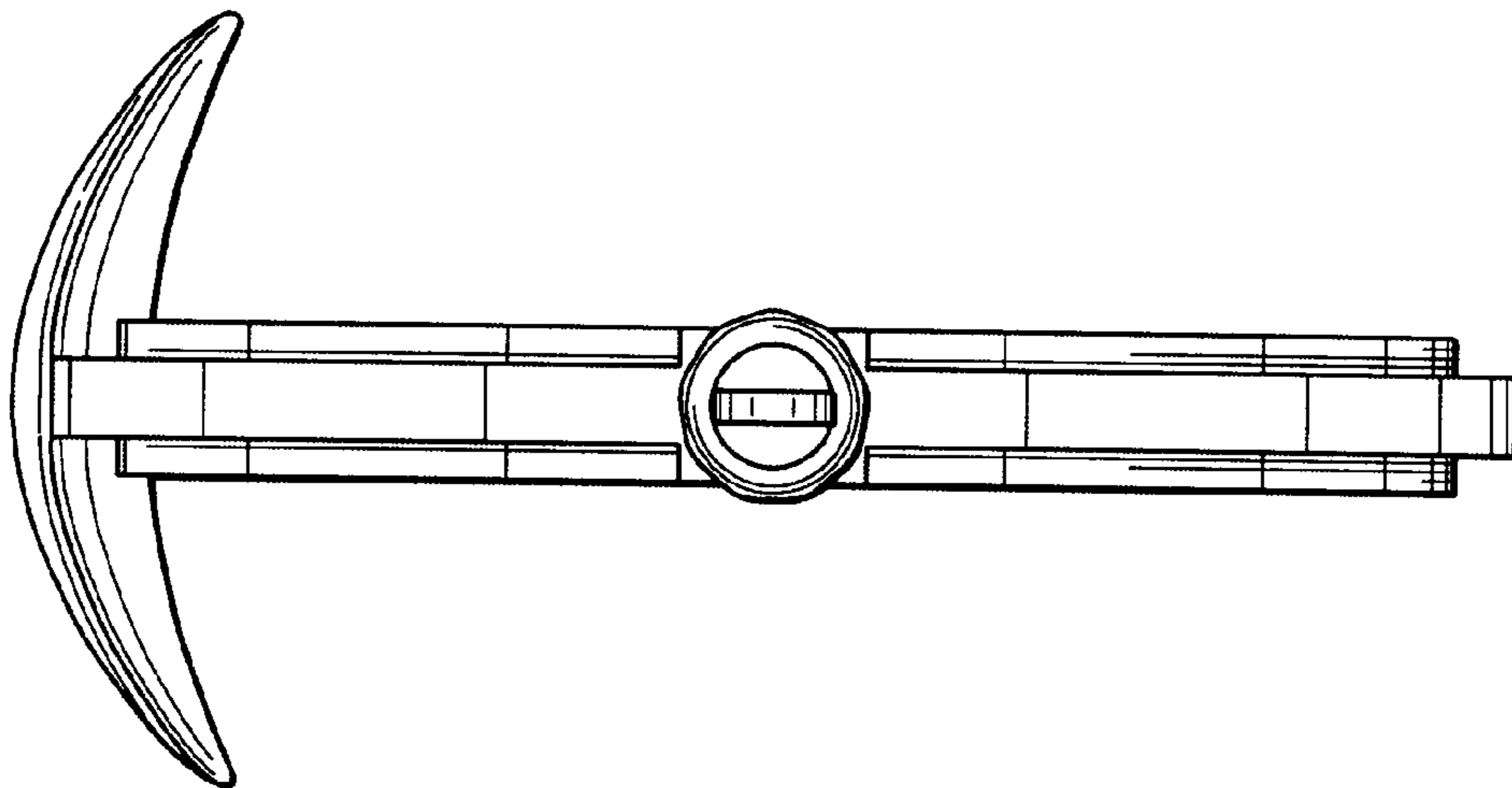


FIG. 7

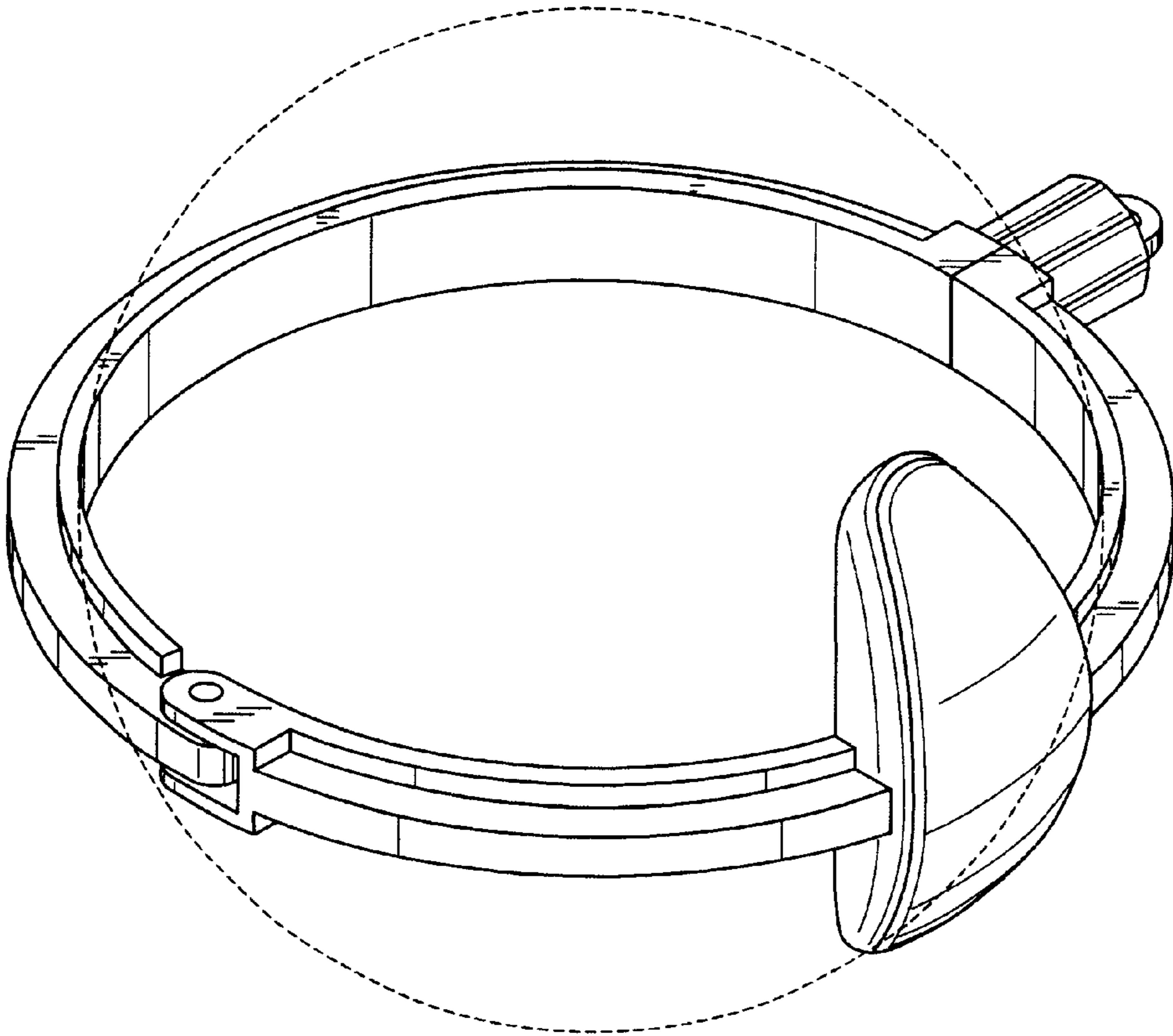


FIG. 8