



US00D479647S

(12) **United States Design Patent**
Paura et al.

(10) **Patent No.:** **US D479,647 S**

(45) **Date of Patent:** **** Sep. 16, 2003**

(54) **TRAVEL IDENTIFICATION HOLDER OR THE LIKE**

Primary Examiner—Catherine R. Oliver
(74) *Attorney, Agent, or Firm*—Reed Smith Crosby Heafey

(75) Inventors: **Angela Paura**, Los Angeles, CA (US);
Teri Seide, Encino, CA (US);
Catherine A. Paura, Los Angeles, CA (US)

(57) **CLAIM**

The ornamental design for a travel identification holder or the like, substantially as shown and described.

(73) Assignee: **Mama's of Invention, Inc.**, Los Angeles, CA (US)

DESCRIPTION

(**) Term: **14 Years**

(21) Appl. No.: **29/164,753**

FIG. 1 is a front view of the travel identification holder showing our new design in an open position;
FIG. 2 is a front view thereof, shown in a closed position;
FIG. 3 is a front elevation view thereof, shown in an open position;
FIG. 4 is a rear elevation view thereof; shown in a closed position;
FIG. 5 is a front elevation view shown open, the straps shown broken away for convenience of illustration;
FIG. 6 is a side elevation view shown open, the straps shown broken away for convenience of illustration;
FIG. 7 is a rear elevation view shown open, the straps shown broken away for convenience of illustration;
FIG. 8 is a rear elevation view shown closed, the straps shown broken away for convenience of illustration; and,
FIG. 9 is an opposite side elevation view shown closed, the straps shown broken away for convenience of illustration.
The broken line showing of environment is for illustrative purposes only and forms no part of claimed design.

(22) Filed: **Jul. 26, 2002**

(51) **LOC (7) Cl.** **03-01**

(52) **U.S. Cl.** **D3/215; D3/227**

(58) **Field of Search** D3/215, 226, 227,
D3/224, 232, 233, 234, 283, 201; 40/1.5,
1.6, 661.08, 661.09; 224/604

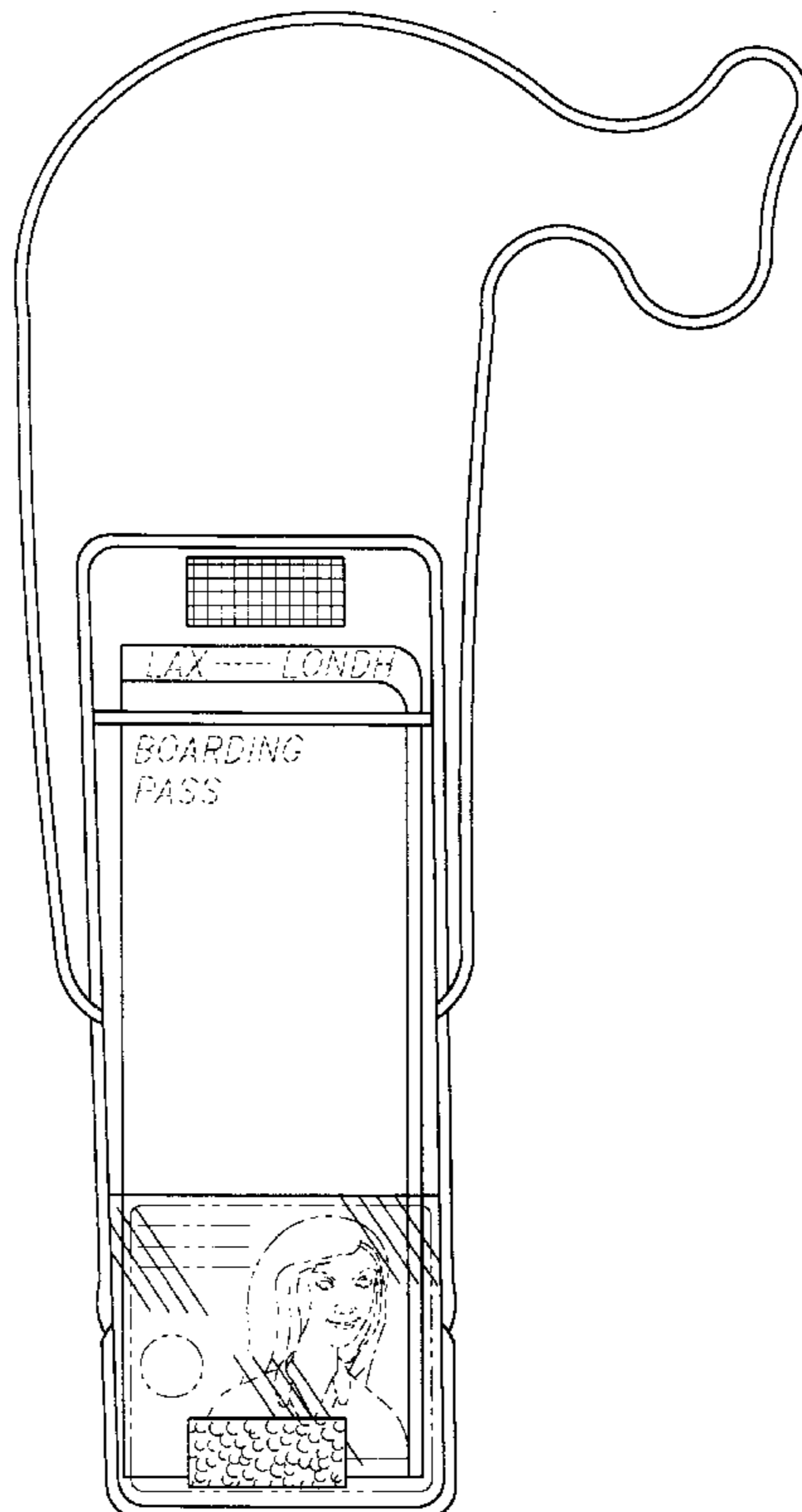
(56) **References Cited**

U.S. PATENT DOCUMENTS

| | | | | | |
|-------------|---|---------|-----------|-------|----------|
| D205,948 S | * | 10/1966 | Tauber | | D3/227 |
| 4,259,797 A | * | 4/1981 | Belser | | 40/1.5 |
| 5,388,739 A | * | 2/1995 | Gargan | | D3/227 X |
| D365,204 S | * | 12/1995 | Chen | | D3/215 |
| D468,903 S | * | 1/2003 | Ward, III | | D3/227 |

* cited by examiner

1 Claim, 3 Drawing Sheets



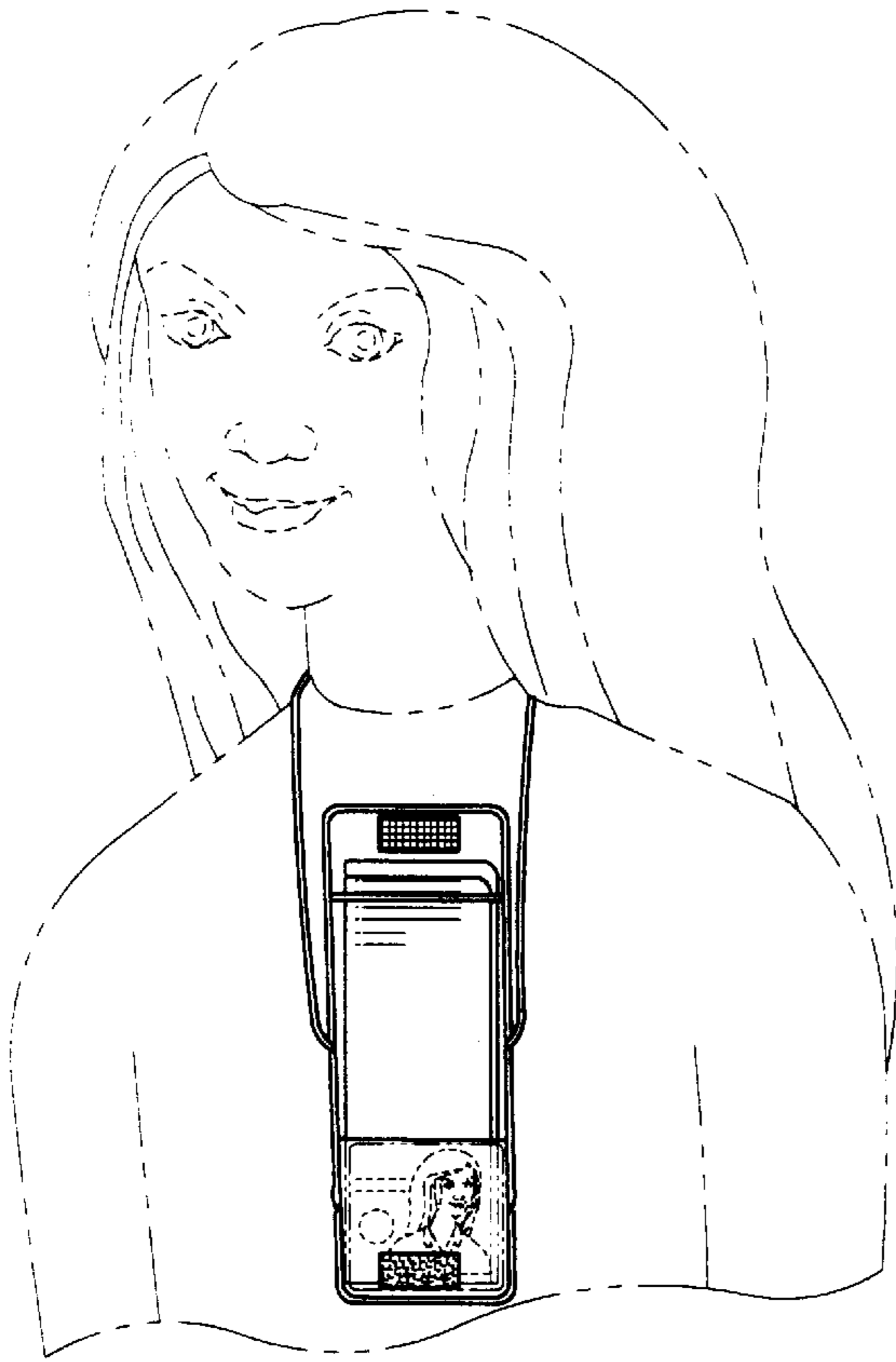


FIG. 1

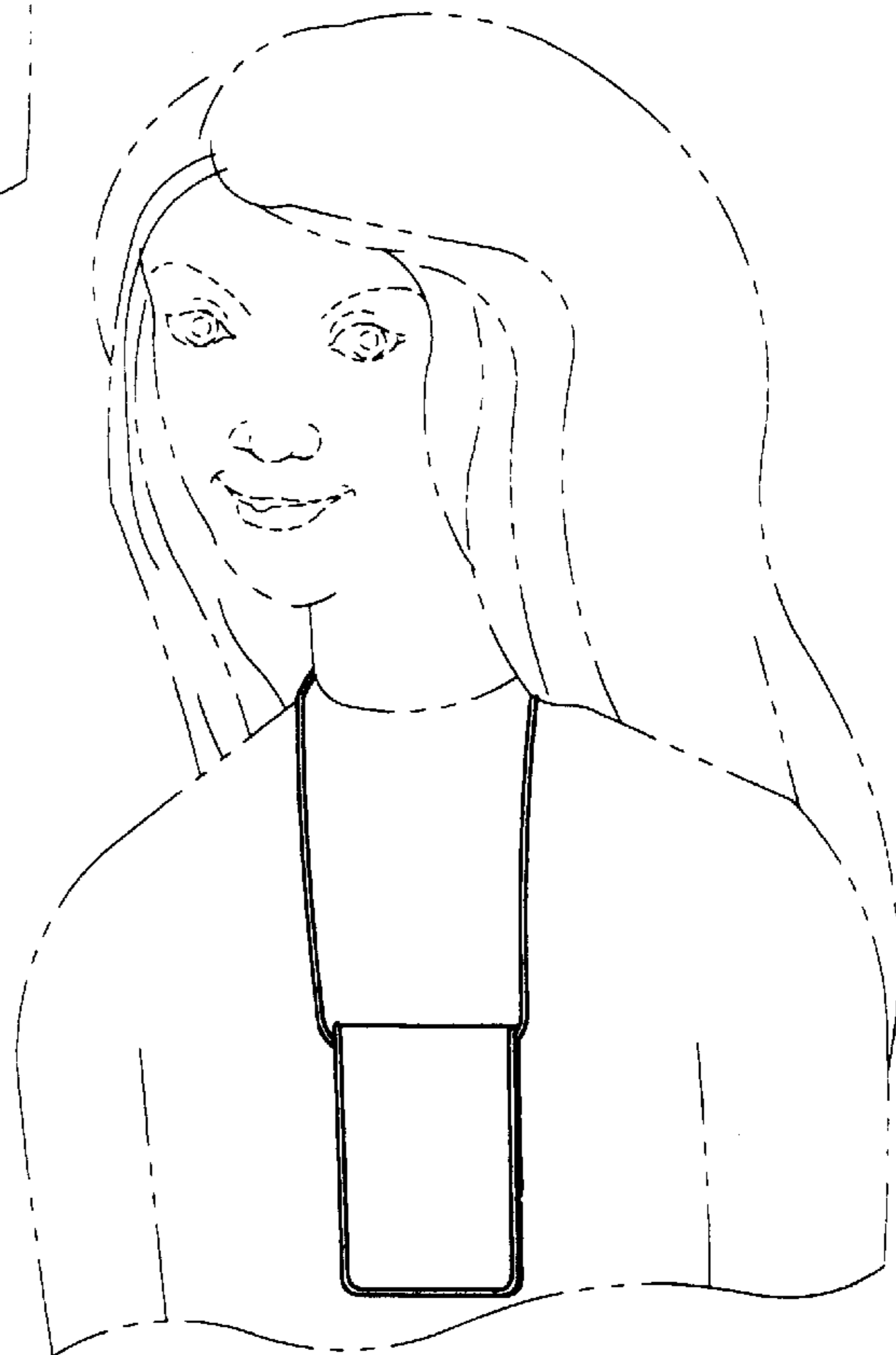


FIG. 2

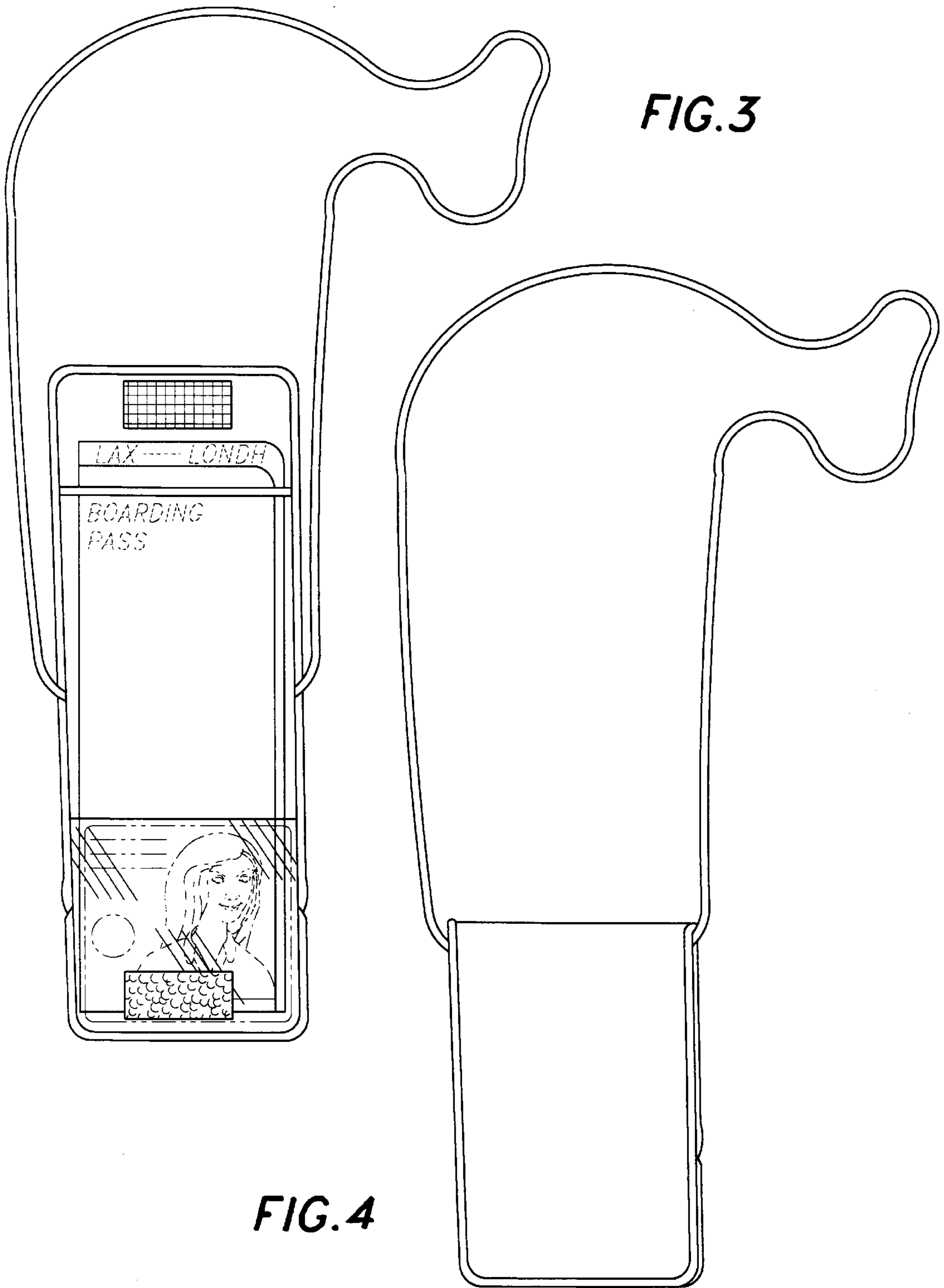


FIG.3

FIG.4

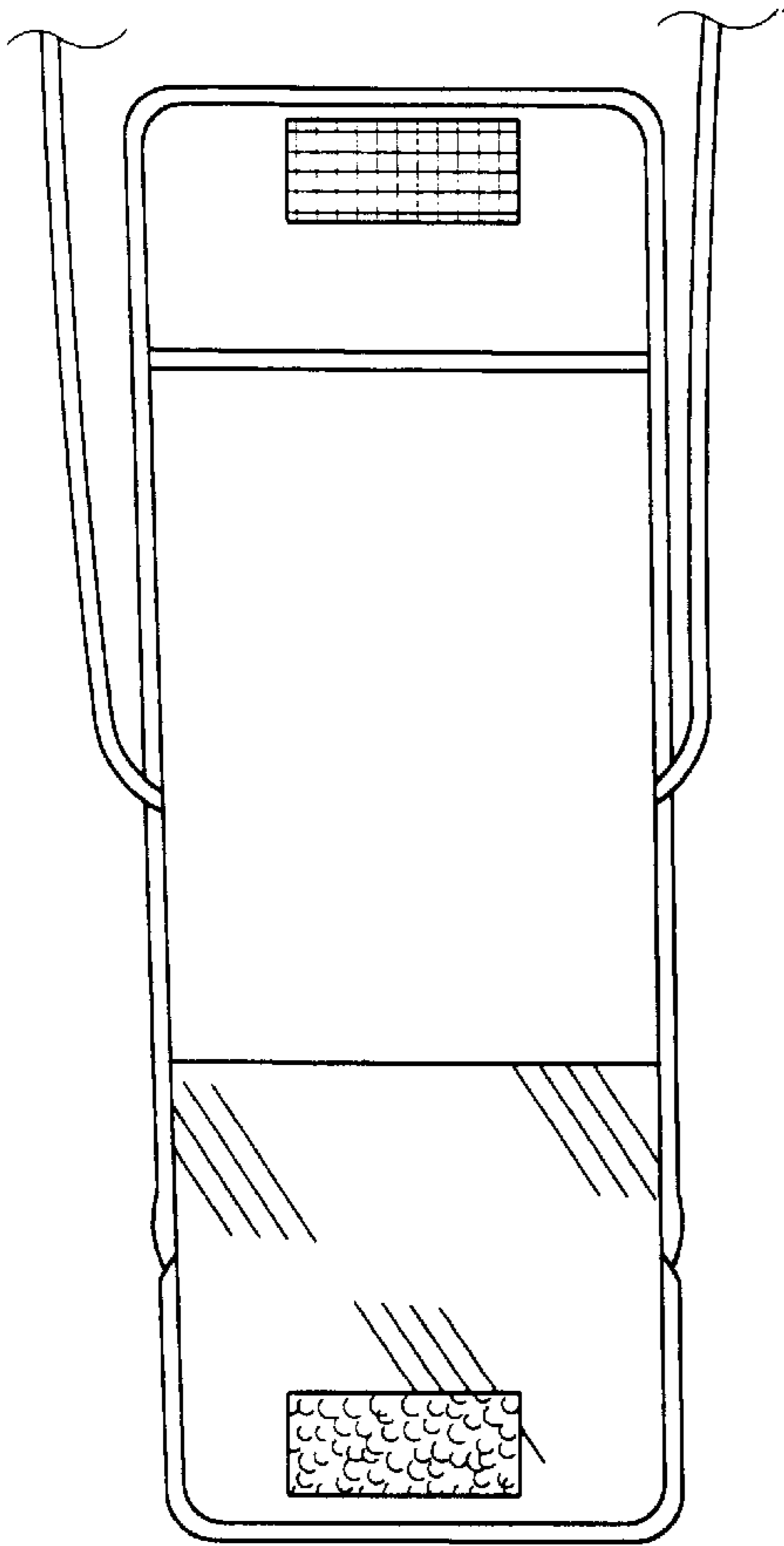


FIG. 5

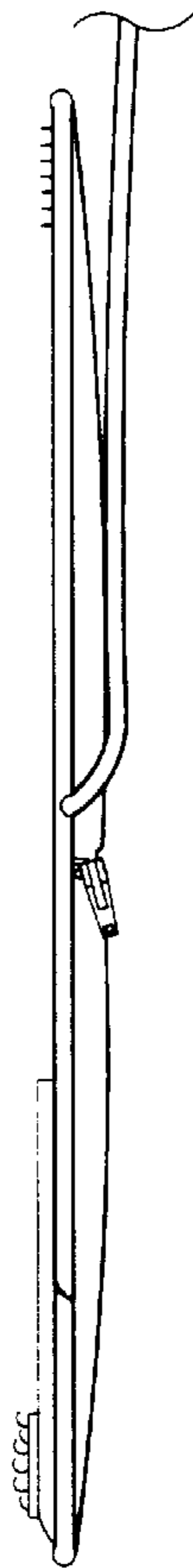


FIG. 6

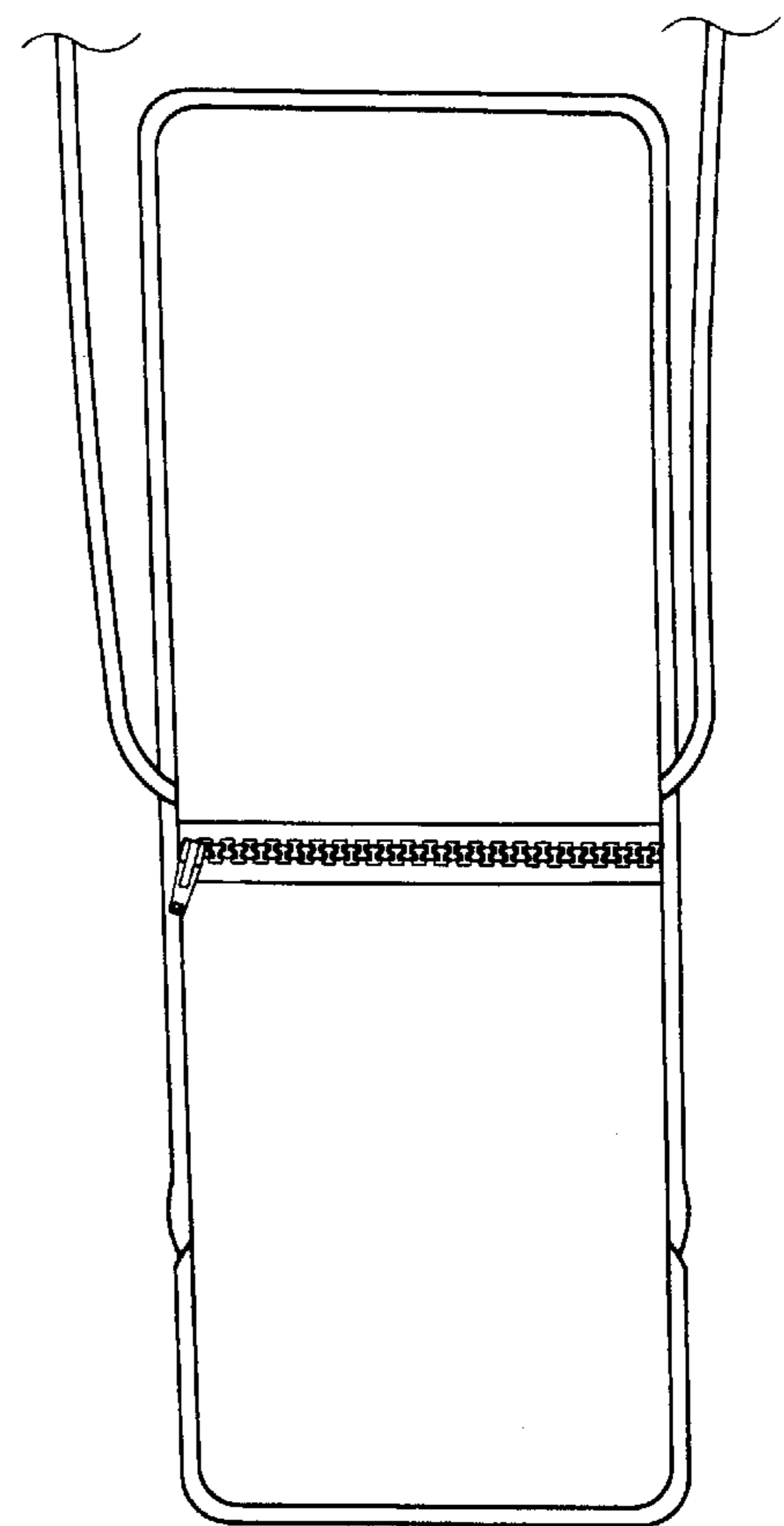


FIG. 7

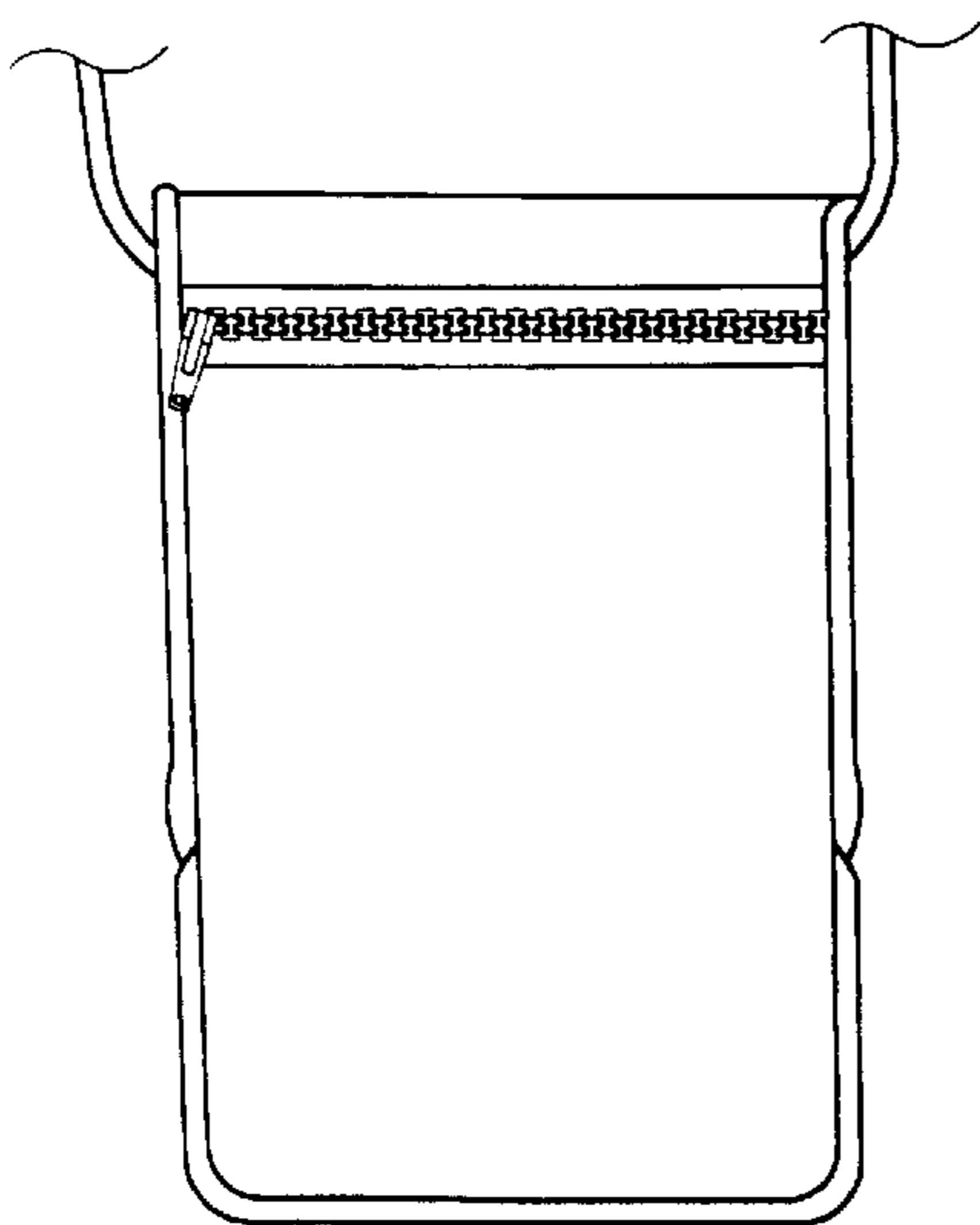


FIG. 8

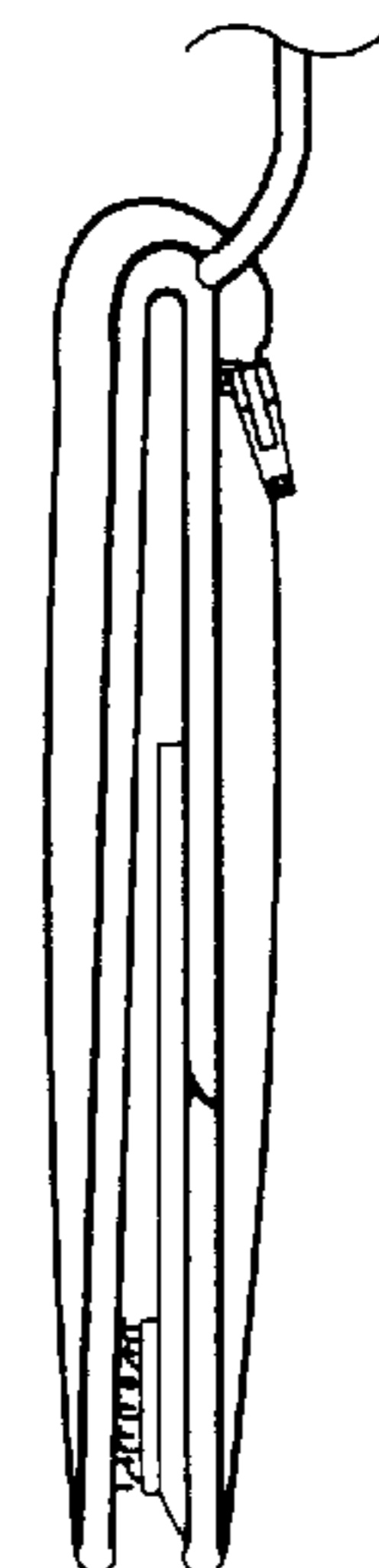


FIG. 9