



US00D479637S

(12) **United States Design Patent**  
**Flippo**

(10) **Patent No.:** **US D479,637 S**

(45) **Date of Patent:** **\*\* Sep. 9, 2003**

(54) **MULTIPLE-WHEEL AXLE SUPPORT**

(75) **Inventor:** **Bobby K. Flippo**, Jonesboro, AR (US)

(73) **Assignee:** **Northstar Industries, Inc.**, Jonesboro, AR (US)

(\*\*) **Term:** **14 Years**

(21) **Appl. No.:** **29/156,856**

(22) **Filed:** **Mar. 6, 2002**

(51) **LOC (7) Cl.** ..... **12-05**

(52) **U.S. Cl.** ..... **D34/29; D34/35**

(58) **Field of Search** ..... **D34/29, 35; D8/499;**  
**193/35 R, 35 A; 198/619, 850, 852, 853,**  
**848, 849; 474/209, 202, 213, 218, 220,**  
**212, 217**

(56) **References Cited**

**U.S. PATENT DOCUMENTS**

2,875,907	A	*	3/1959	Locke et al.	.....	198/853
4,809,846	A	*	3/1989	Hodlowsky et al.	.....	198/853
D307,707	S	*	5/1990	Abbestam et al.	.....	D8/499
D323,133	S	*	1/1992	Newmark	.....	D8/499
5,131,937	A	*	7/1992	Kuster et al.	.....	198/619 X
D329,706	S	*	9/1992	Hermens et al.	.....	D8/499 X
D347,918	S	*	6/1994	Gibbs	.....	D34/29
5,433,313	A	*	7/1995	Deschner	.....	198/851
D361,644	S	*	8/1995	Davis	.....	D34/29

D364,025	S	*	11/1995	Davis	.....	D34/29
D418,656	S	*	1/2000	Andersson	.....	D34/29
D420,483	S	*	2/2000	Abbestam	.....	D34/29
D427,898	S	*	7/2000	Loh	.....	D8/499
6,382,404	B1	*	5/2002	Guldenfels	.....	198/850

\* cited by examiner

*Primary Examiner*—Cynthia E. Ramirez

(74) *Attorney, Agent, or Firm*—Kilpatrick Stockton LLP

(57) **CLAIM**

I claim the ornamental design for a multiple-wheel axle support, as shown and described.

**DESCRIPTION**

FIG. 1 depicts a perspective view for a multiple-wheel axle support of my new design;

FIG. 2 depicts a “front” elevational view of the axle support of FIG. 1.

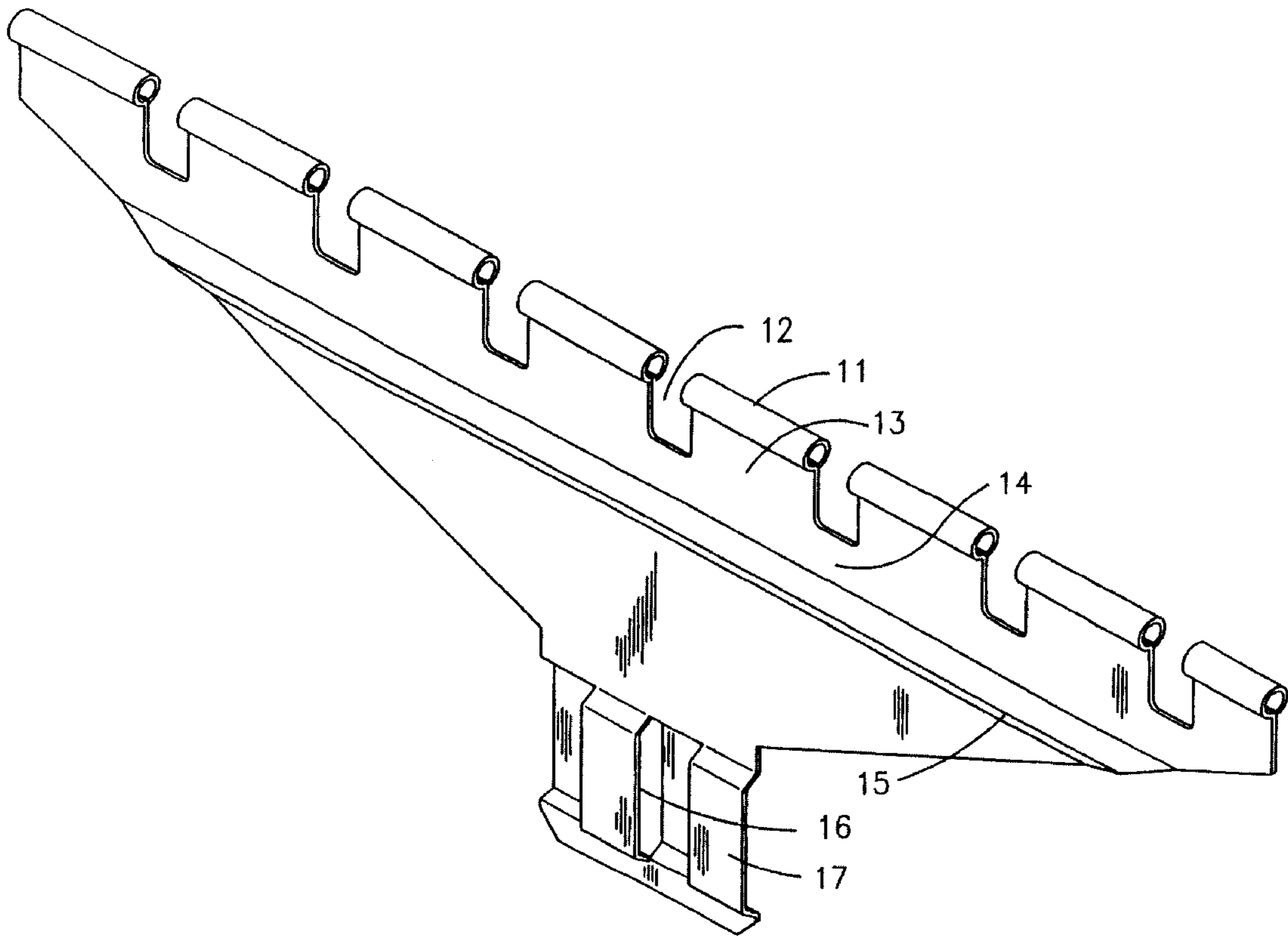
FIG. 3 depicts a “back” elevational view of the axle support of FIG. 1.

FIG. 4 depicts a side elevational view of the axle support of FIG. 1.

FIG. 5 depicts top plan view of the axle support of FIG. 3; and,

FIG. 6 depicts a bottom plan view of the axle support of FIG. 3.

**1 Claim, 3 Drawing Sheets**



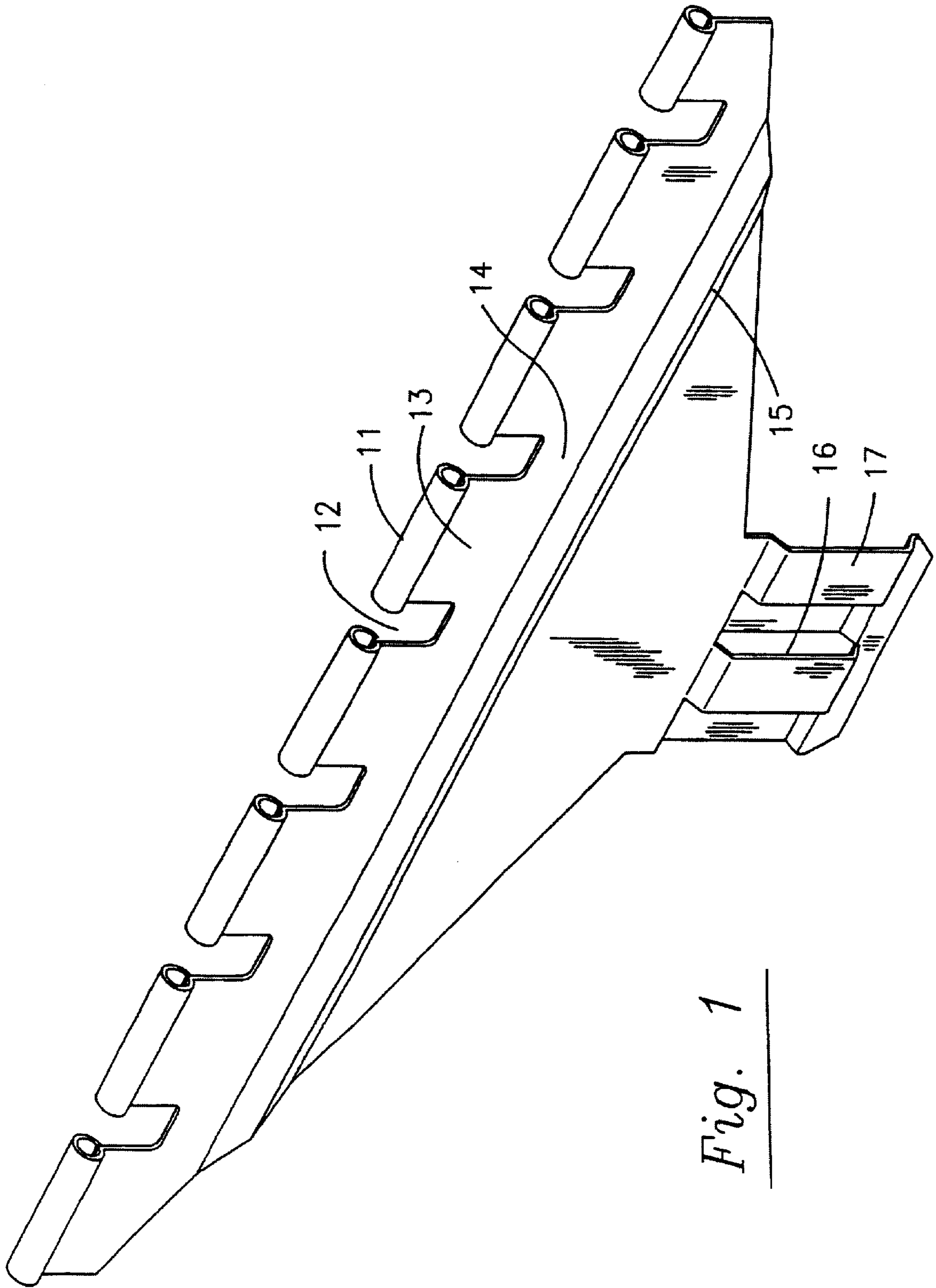
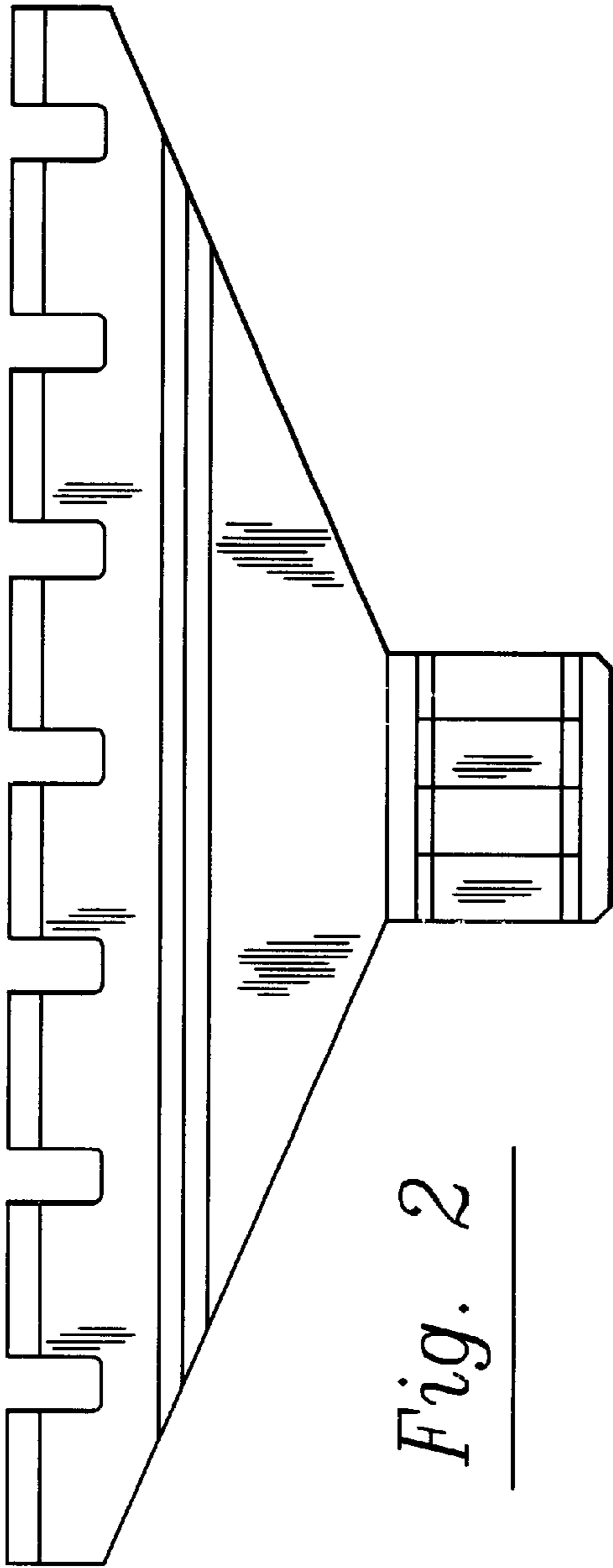
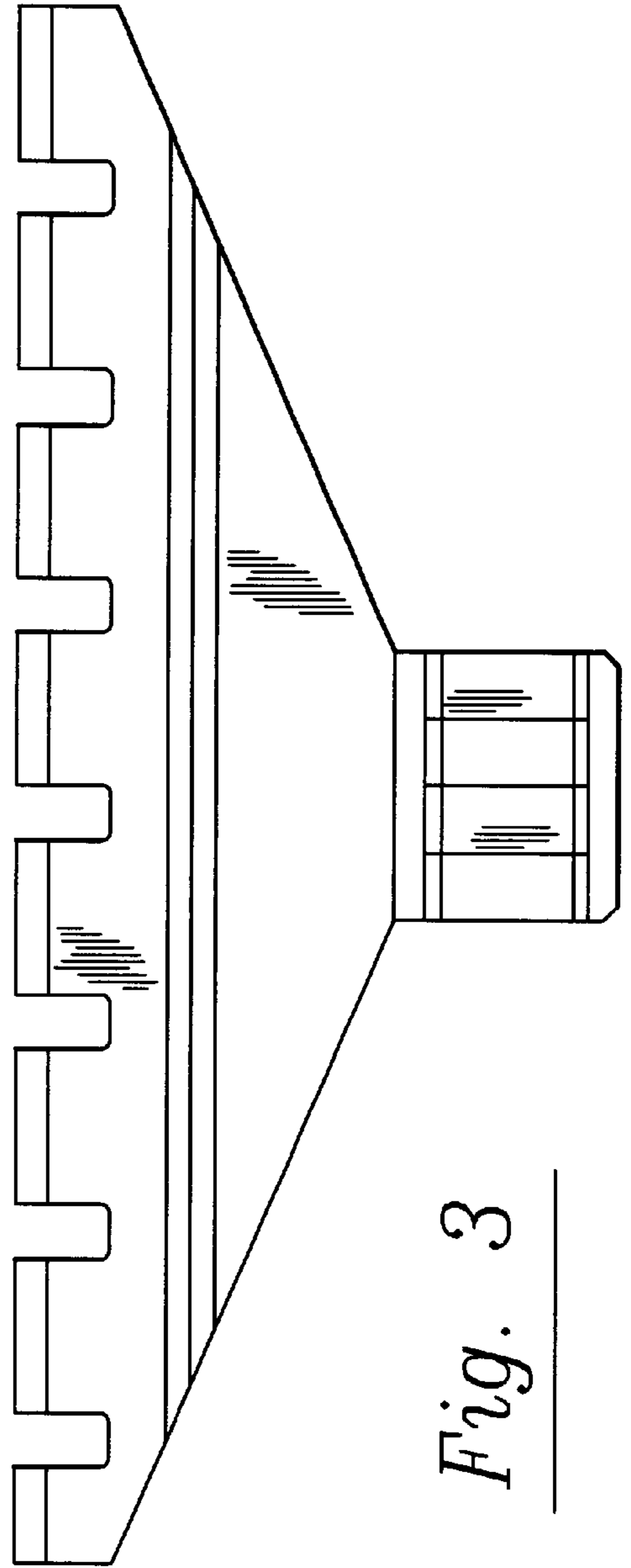


Fig. 1



*Fig. 2*



*Fig. 3*



Fig. 5



Fig. 6



Fig. 4