



US00D479636S

(12) **United States Design Patent**
Kitts

(10) **Patent No.: US D479,636 S**

(45) **Date of Patent: ** Sep. 9, 2003**

(54) **DUST CLEANING TOOL ADAPTIVE TO A VACUUM CLEANER NOZZLE**

(75) Inventor: **Keith D. Kitts**, Glenview, IL (US)

(73) Assignee: **Koblentz Electrica, S.A. DE C.V.**,
Cauautitlan Izcalli (MX)

(**) Term: **14 Years**

(21) Appl. No.: **29/170,081**

(22) Filed: **Oct. 31, 2002**

Related U.S. Application Data

(62) Division of application No. 29/155,431, filed on Feb. 7, 2002.

(51) **LOC (7) Cl.** **15-05**

(52) **U.S. Cl.** **D32/31**

(58) **Field of Search** D32/31-33, 22,
D32/25; 15/322, 327.1-327.7, 329, 362,
393, 398, 400-401, 415.1-422.1

(56) **References Cited**

U.S. PATENT DOCUMENTS

D98,082 S	1/1936	Lofgren	
D103,240 S	2/1937	Lofgren	
D144,229 S	3/1946	Wittke	
D149,285 S	* 4/1948	Lippincott D32/32
D172,981 S	9/1954	Ortega	
D173,454 S	11/1954	Ortega et al.	

D175,227 S	*	7/1955	Martinec	D32/33
D178,746 S	*	9/1956	Andersson-Sason	D32/33
D179,671 S	*	2/1957	Andersson-Sason	D32/33
D244,274 S		5/1977	Winard et al.		
D277,524 S	*	2/1985	Kubick	D4/134
D306,506 S		3/1990	Houser		
D311,615 S		10/1990	Berfield et al.		
D369,448 S	*	4/1996	Blois et al.	D32/33
D381,144 S		7/1997	Moine et al.		
D392,780 S		3/1998	Holsten et al.		
D424,766 S	*	5/2000	Martin	D32/32

* cited by examiner

Primary Examiner—Ruth McInroy

(74) *Attorney, Agent, or Firm*—Wildman, Harrold, Allen & Dixon; Thomas J. Ring

(57) **CLAIM**

The ornamental design for a dust cleaning tool adaptive to a vacuum cleaner nozzle, as shown and described.

DESCRIPTION

FIG. 1 is a top, frontal perspective view of a dust cleaning tool adaptive to a vacuum cleaner nozzle showing my new design;
FIG. 2 is a rear, bottom perspective view thereof;
FIG. 3 is a top plan view thereof;
FIG. 4 is a front elevational view thereof;
FIG. 5 is a side elevational view thereof;
FIG. 6 is a rear elevational view thereof; and,
FIG. 7 is a bottom plan view thereof.

1 Claim, 3 Drawing Sheets

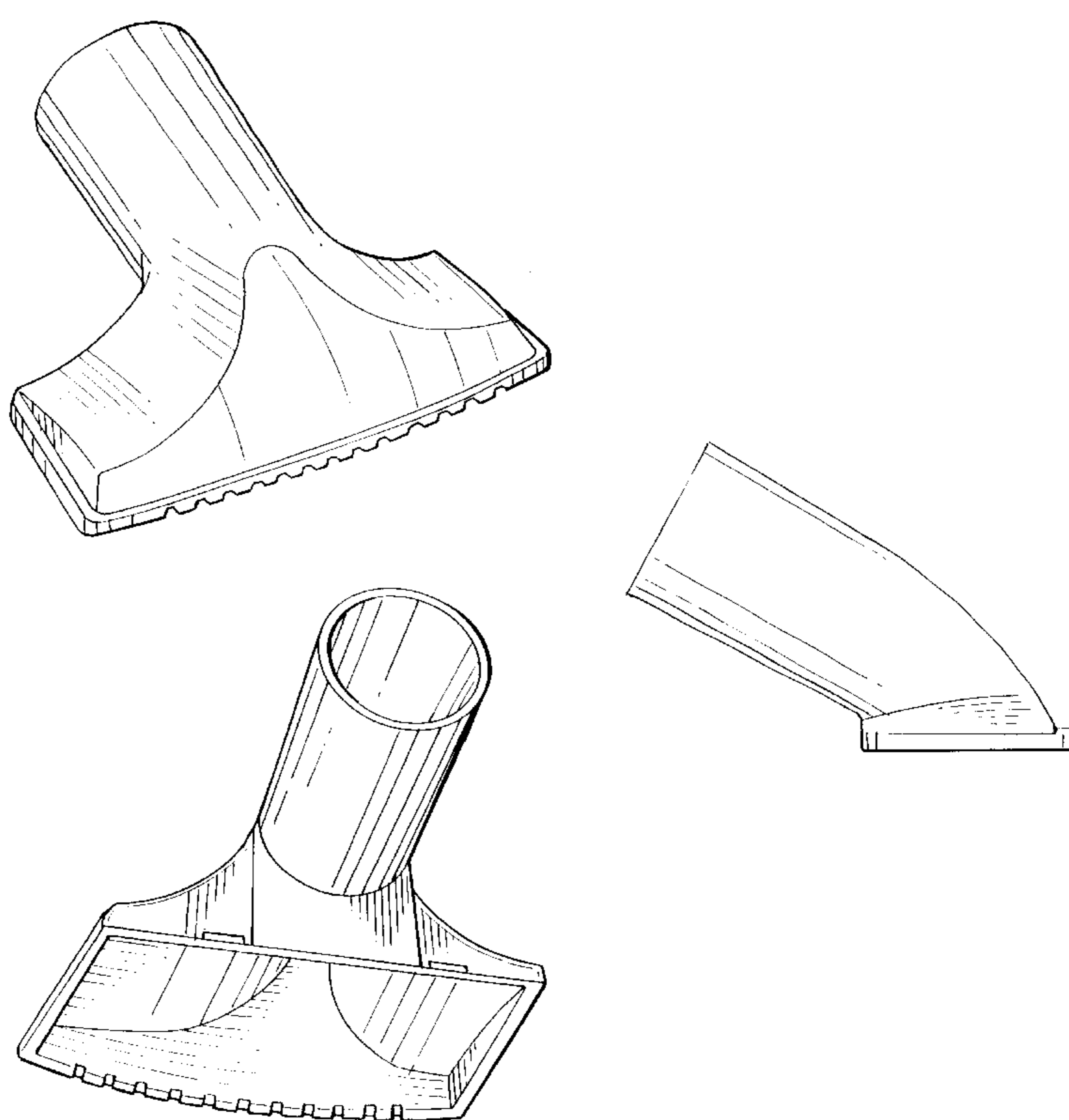


FIG. 1

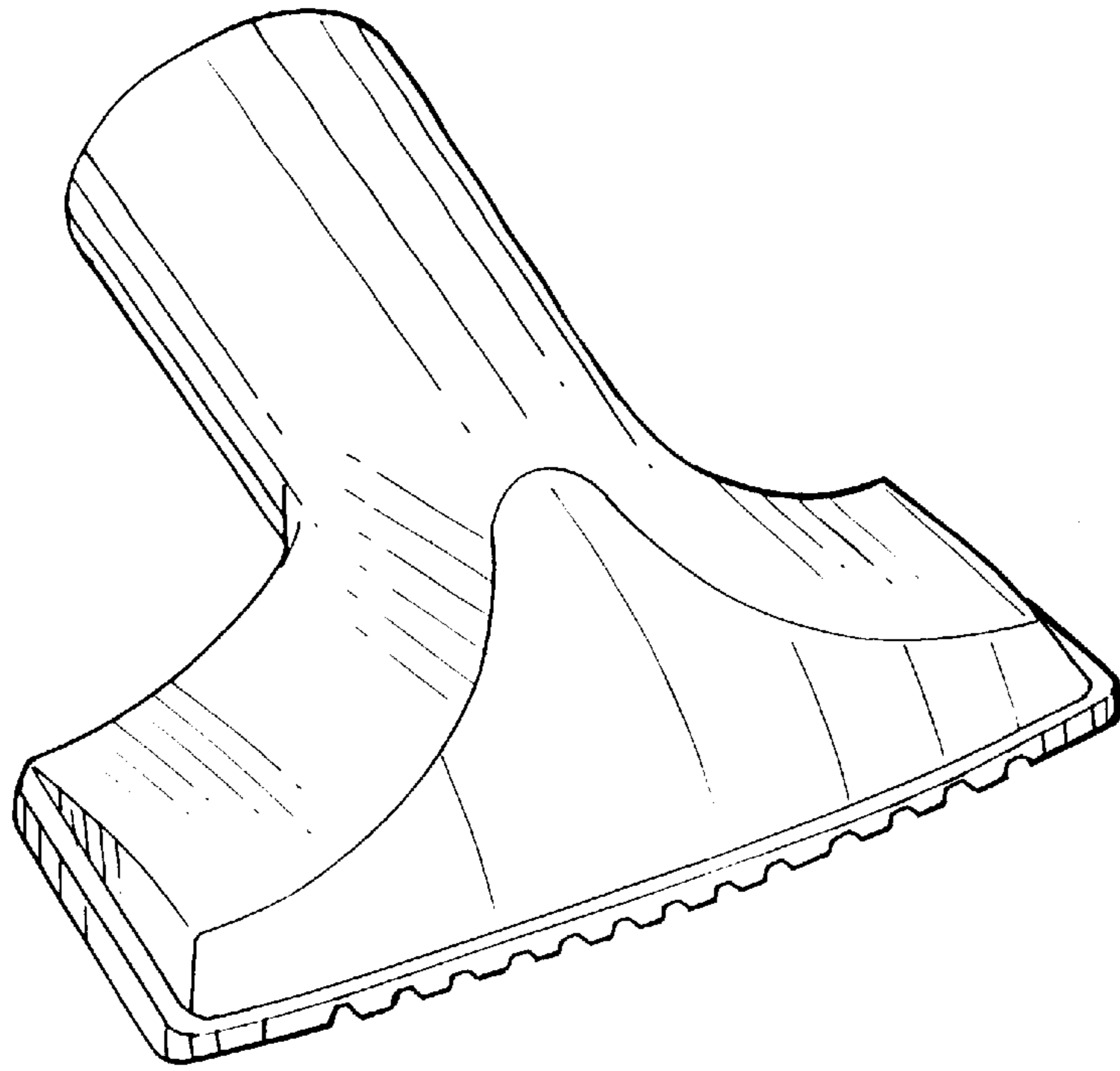


FIG. 2

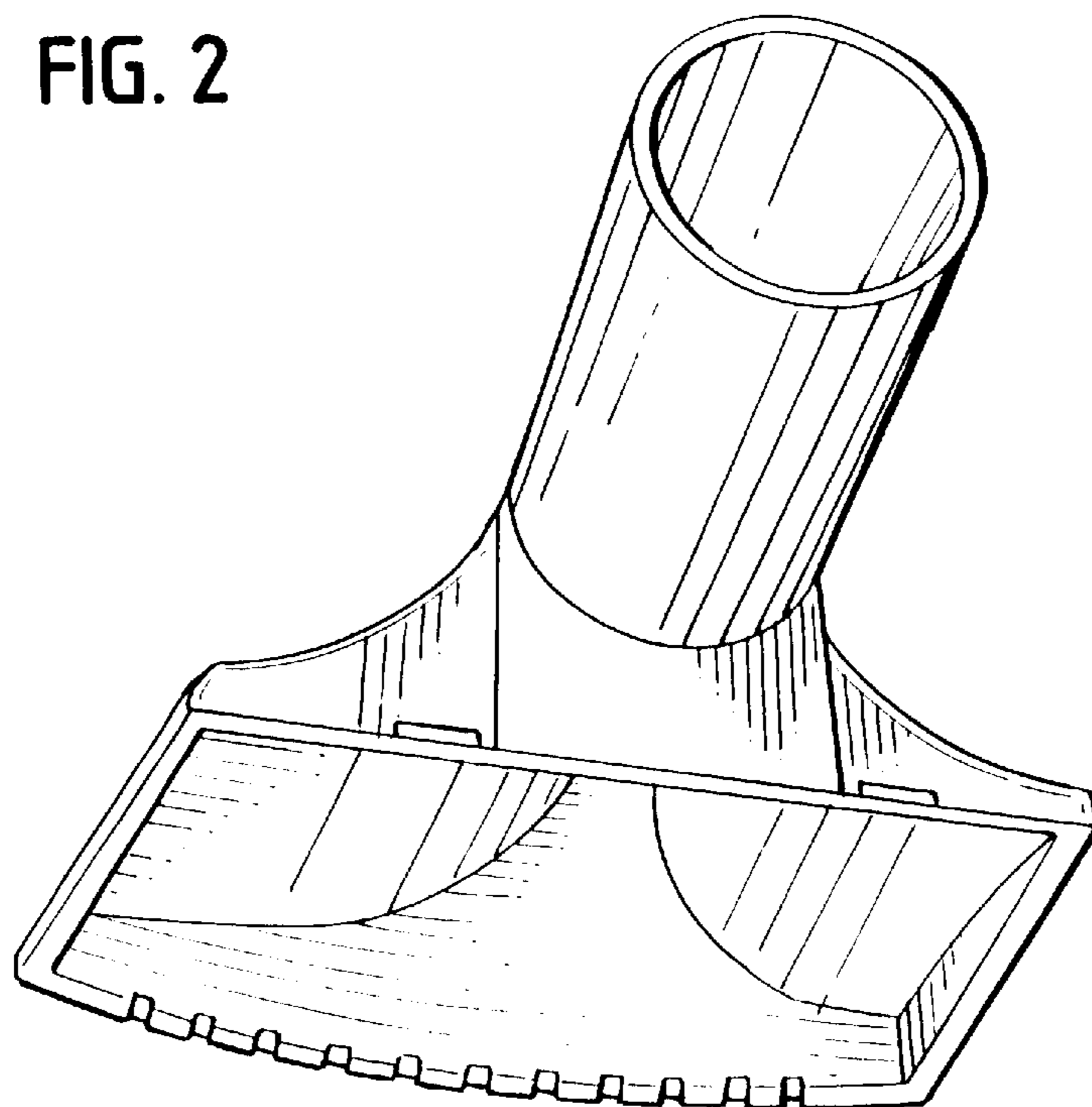


FIG. 3

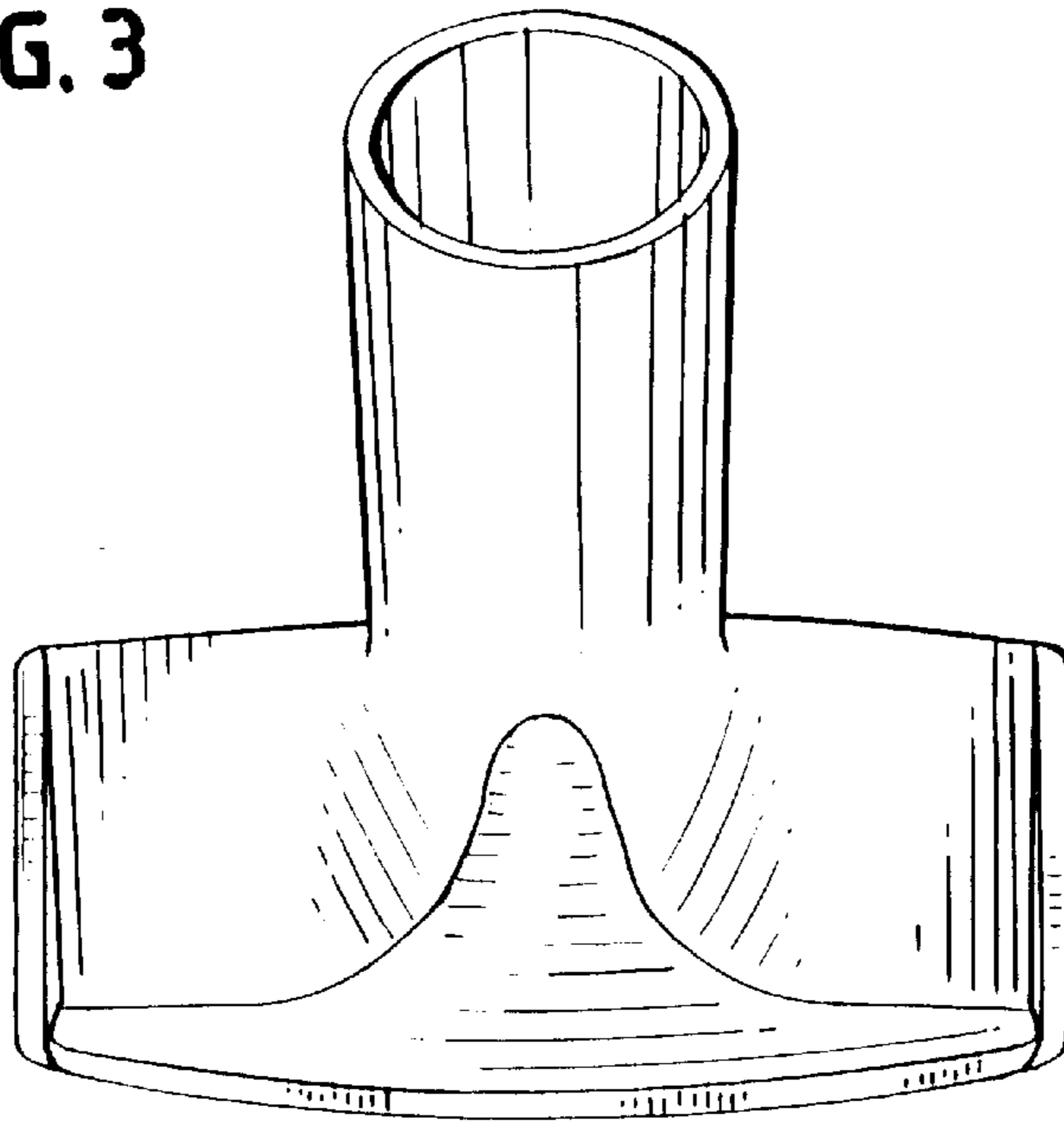


FIG. 4

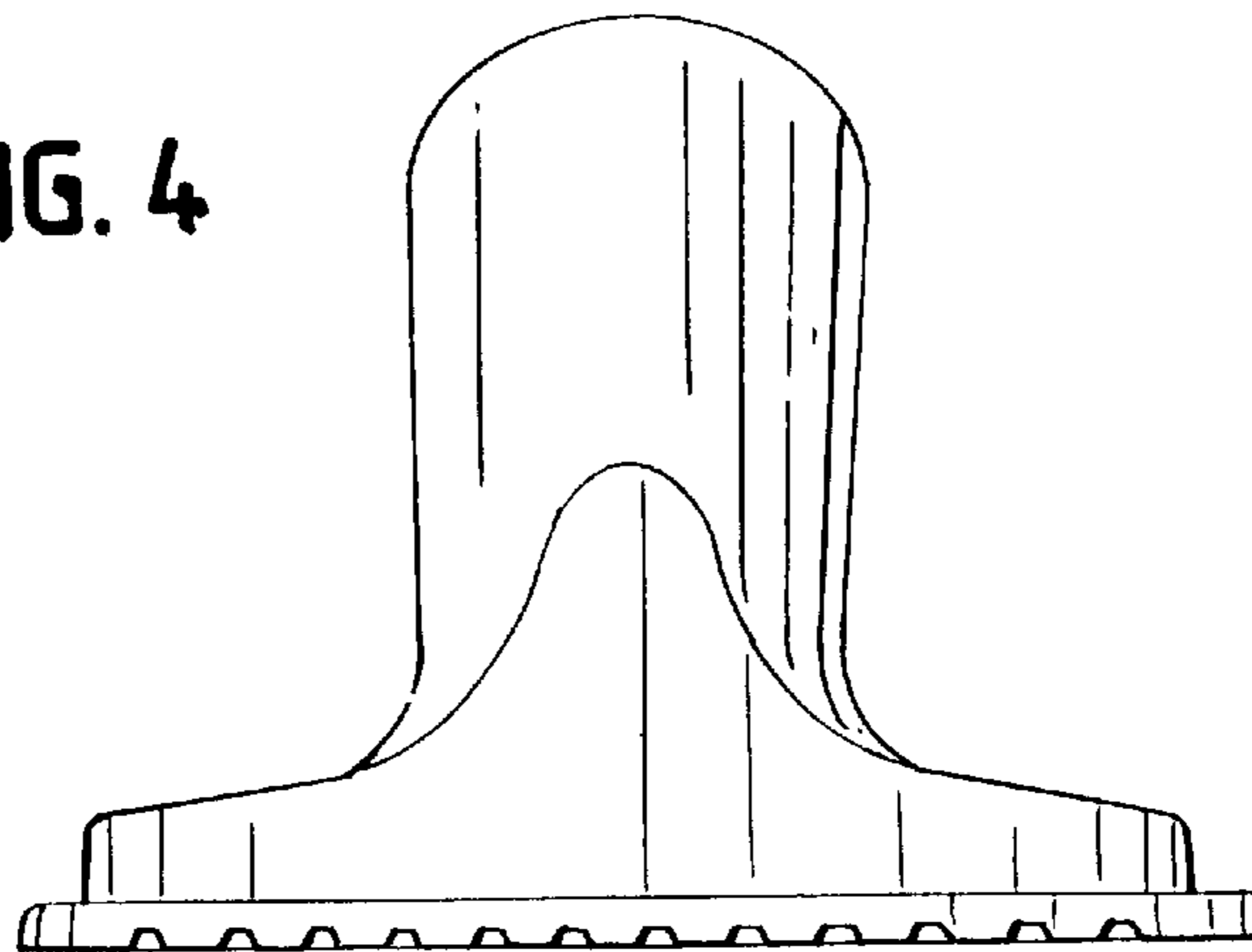


FIG. 5

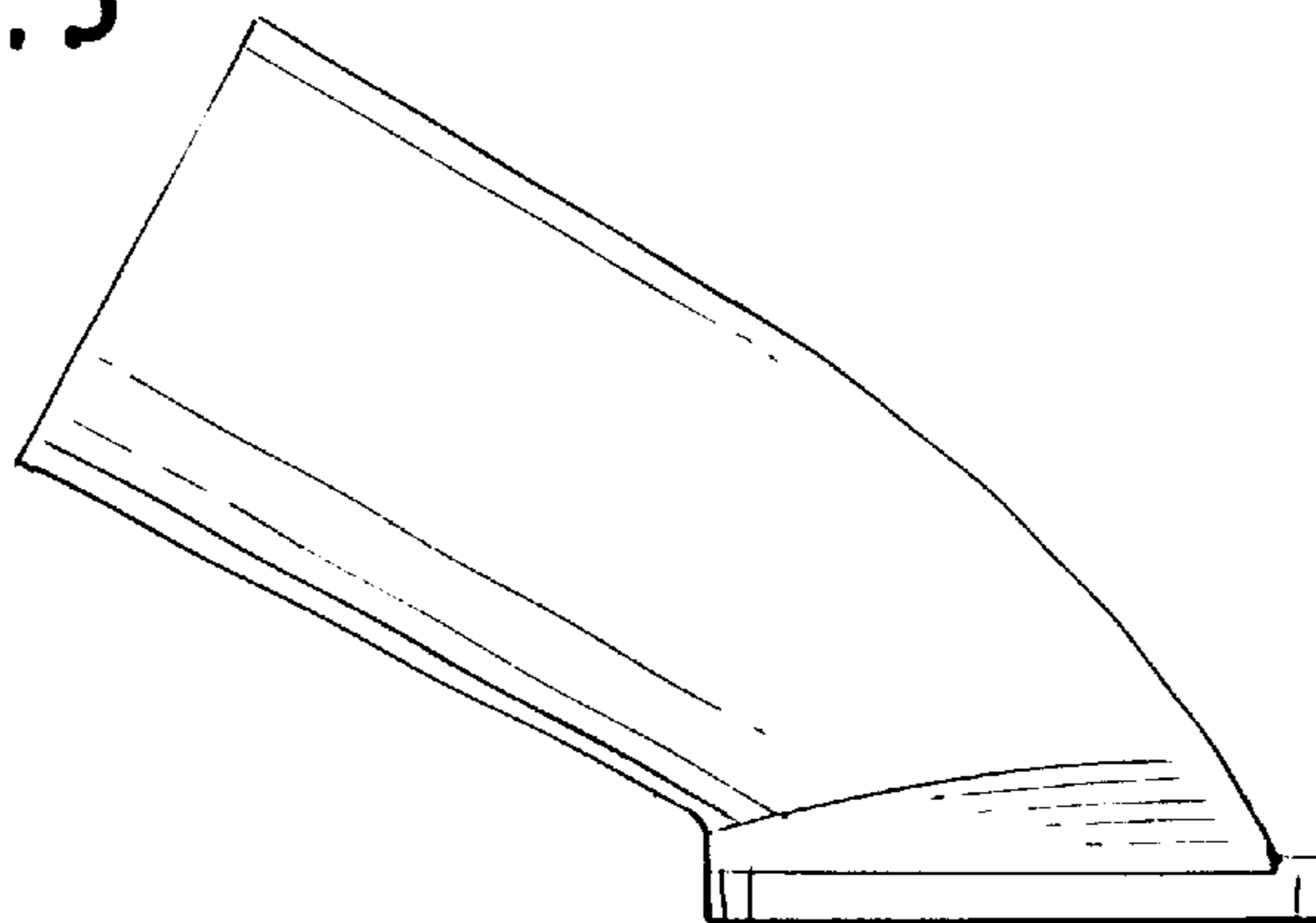


FIG. 6

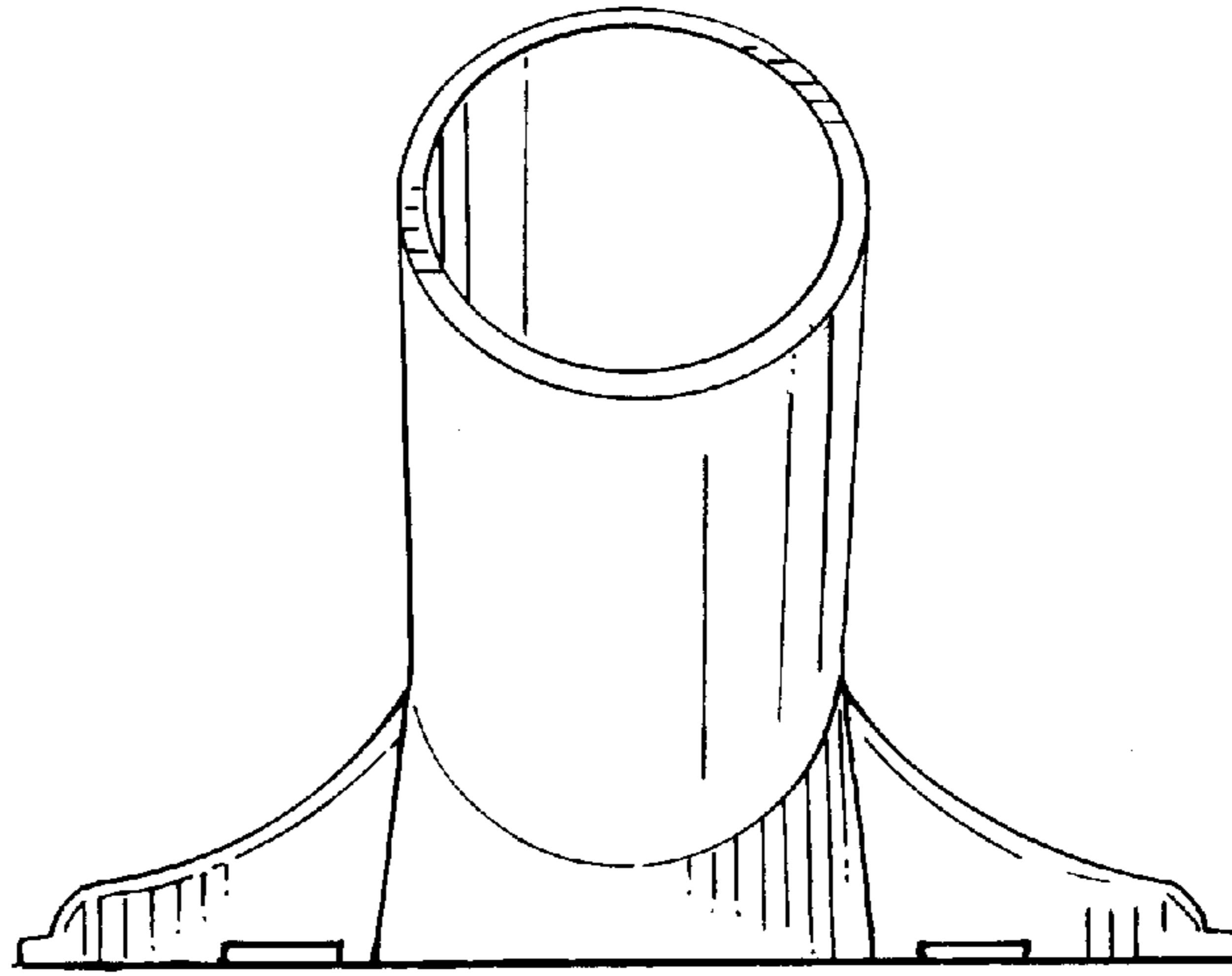


FIG. 7

