



US00D479631S

(12) **United States Design Patent**  
**Cheng**

(10) **Patent No.:** **US D479,631 S**

(45) **Date of Patent:** **\*\* Sep. 9, 2003**

(54) **WELDING HELMET**

(75) Inventor: **Chen-San Cheng**, Kaohsiung (TW)

(73) Assignee: **Polison Corporation**, Kaohsiung (TW)

(\*\*) Term: **14 Years**

(21) Appl. No.: **29/171,014**

(22) Filed: **Nov. 15, 2002**

(51) **LOC (7) Cl.** ..... **29-02**

(52) **U.S. Cl.** ..... **D29/110**

(58) **Field of Search** ..... D29/102, 104-110,  
D29/122; 2/8, 9, 410

(56) **References Cited**

**U.S. PATENT DOCUMENTS**

3,257,667	A	*	6/1966	Anderson	.....	2/8
4,185,328	A	*	1/1980	Graveno	.....	2/8
5,191,468	A	*	3/1993	Mases	.....	359/361
D394,732	S	*	5/1998	Huh	.....	D29/110

D398,421 S \* 9/1998 Crafoord et al. .... D29/110  
6,507,954 B1 \* 1/2003 Sanchez ..... 2/15

\* cited by examiner

*Primary Examiner*—Ruth McInroy

(74) *Attorney, Agent, or Firm*—Leong C. Lei

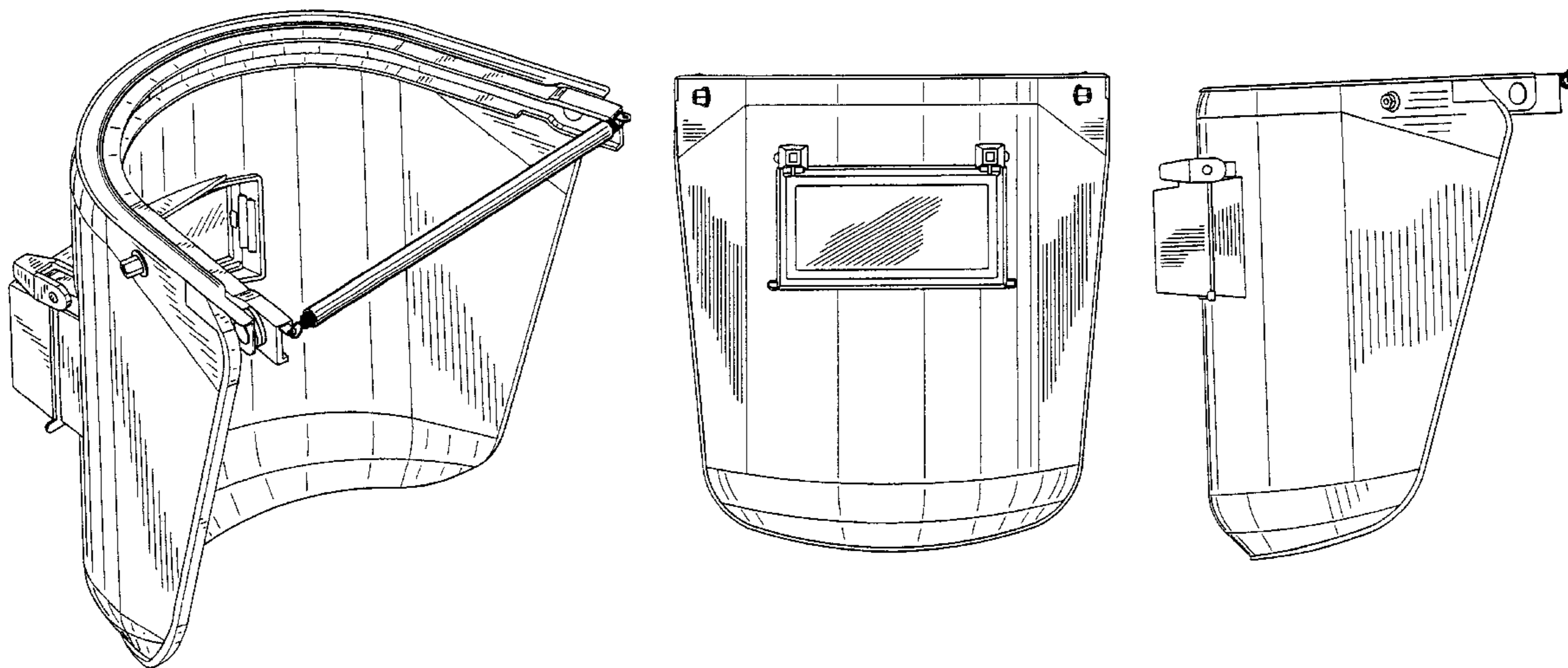
(57) **CLAIM**

The ornamental design for a welding helmet, as shown and described.

**DESCRIPTION**

FIG. 1 is perspective view of a welding helmet showing my new design;  
FIG. 2 is a front side elevation view thereof;  
FIG. 3 is a rear side elevation view thereof;  
FIG. 4 is a right side elevation view thereof;  
FIG. 5 is a left side elevation view thereof;  
FIG. 6 is a top plan view thereof; and,  
FIG. 7 is a bottom plan view thereof.

**1 Claim, 4 Drawing Sheets**



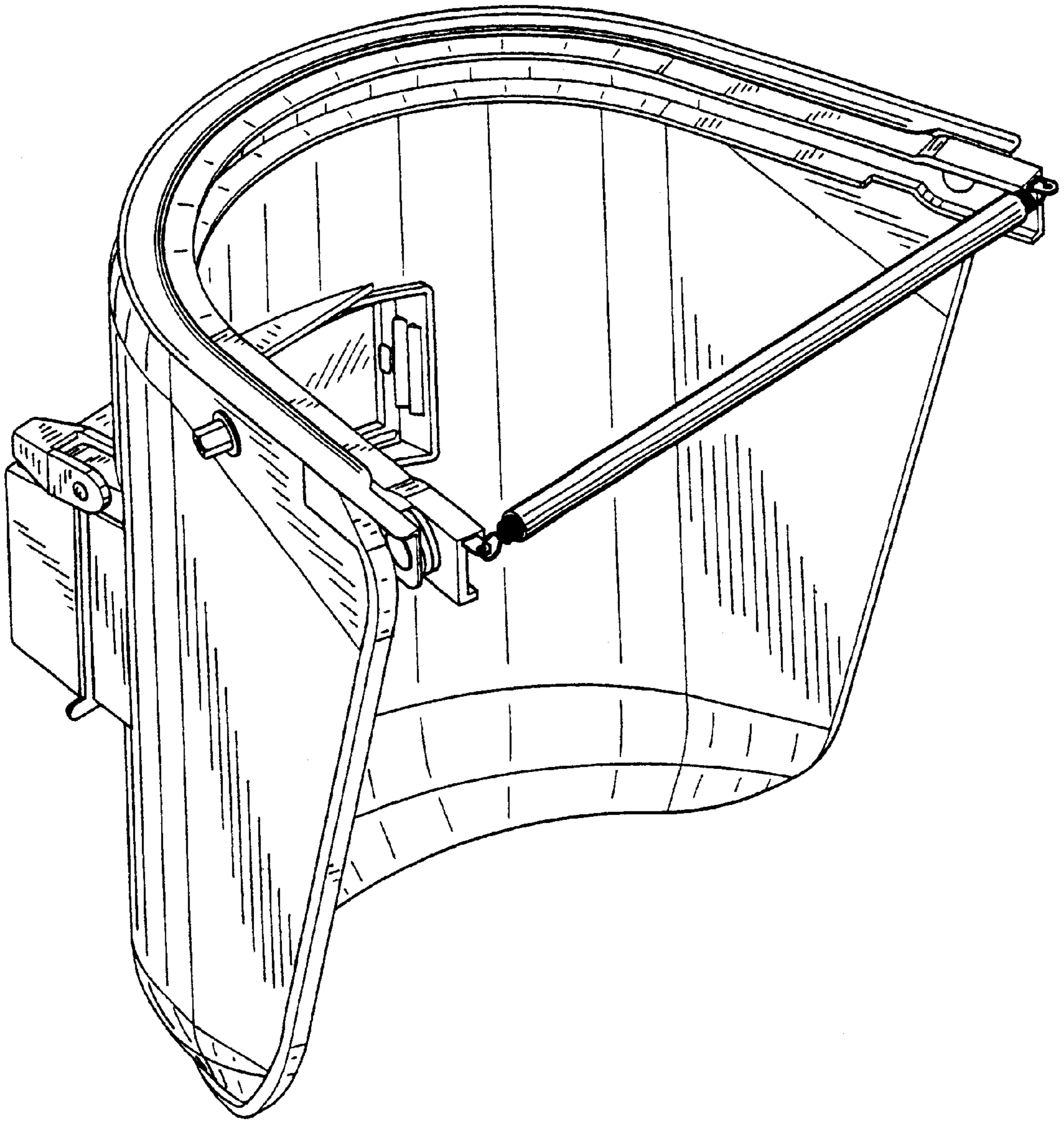


FIG. 1

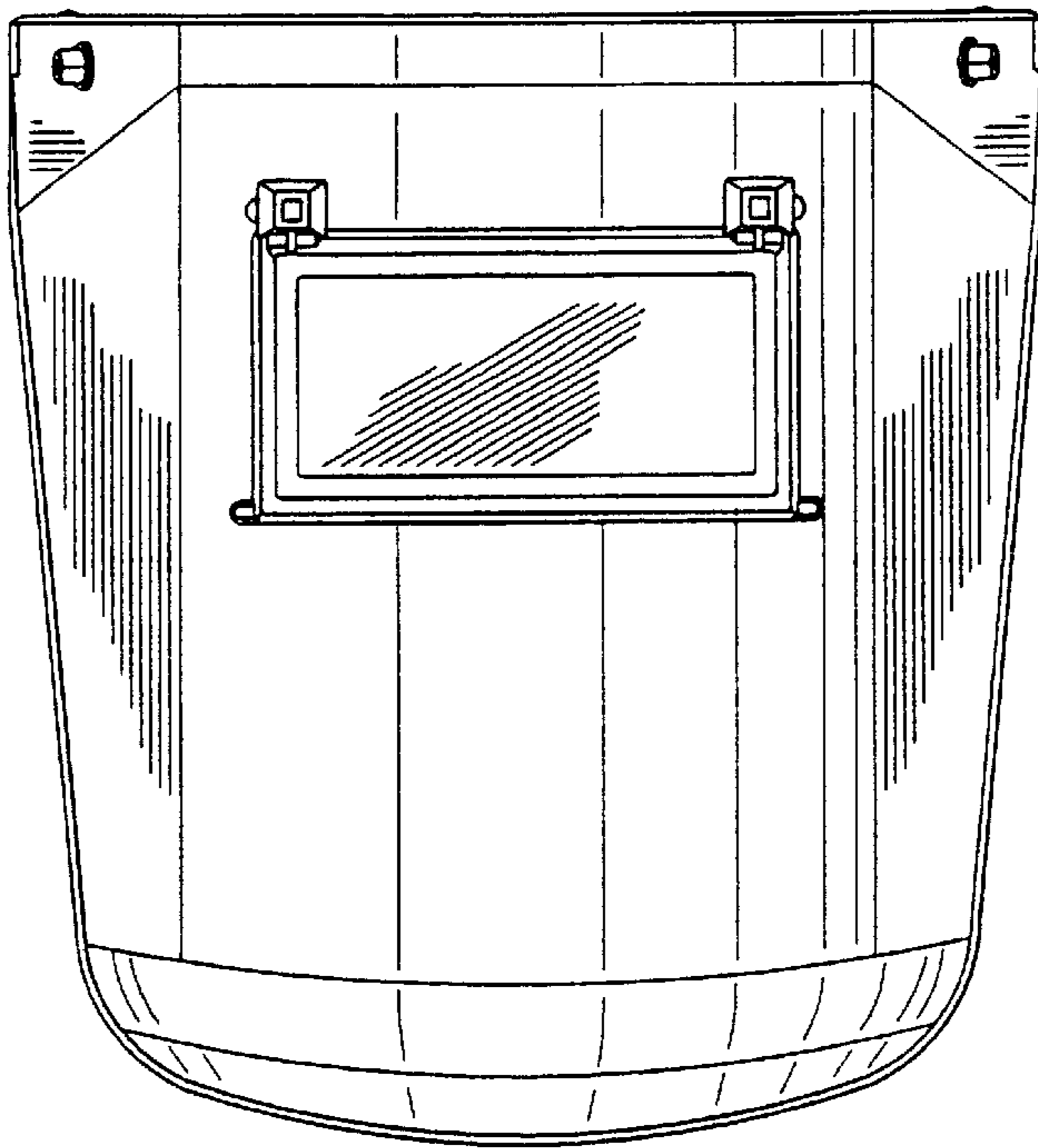


FIG. 2

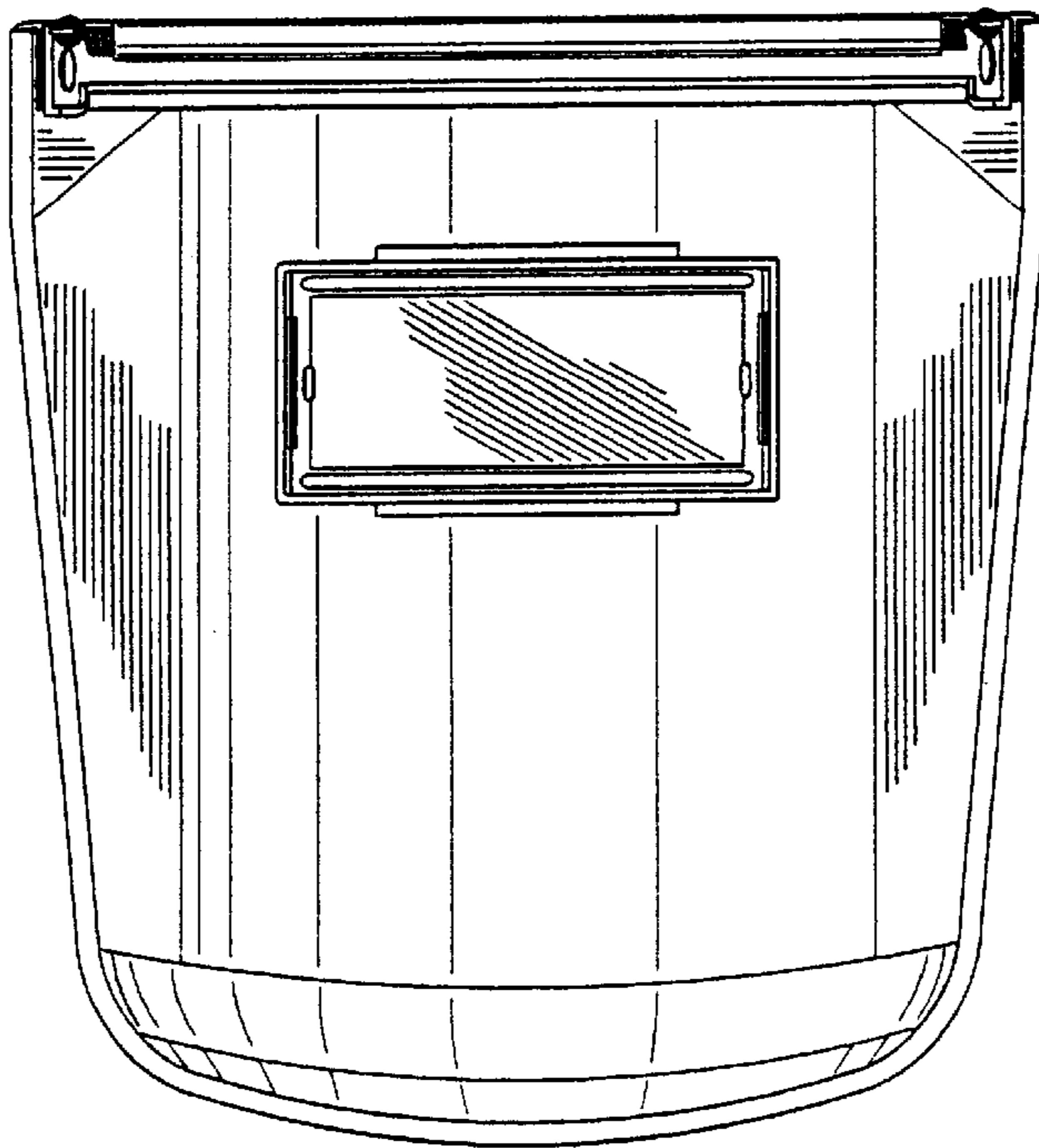


FIG. 3

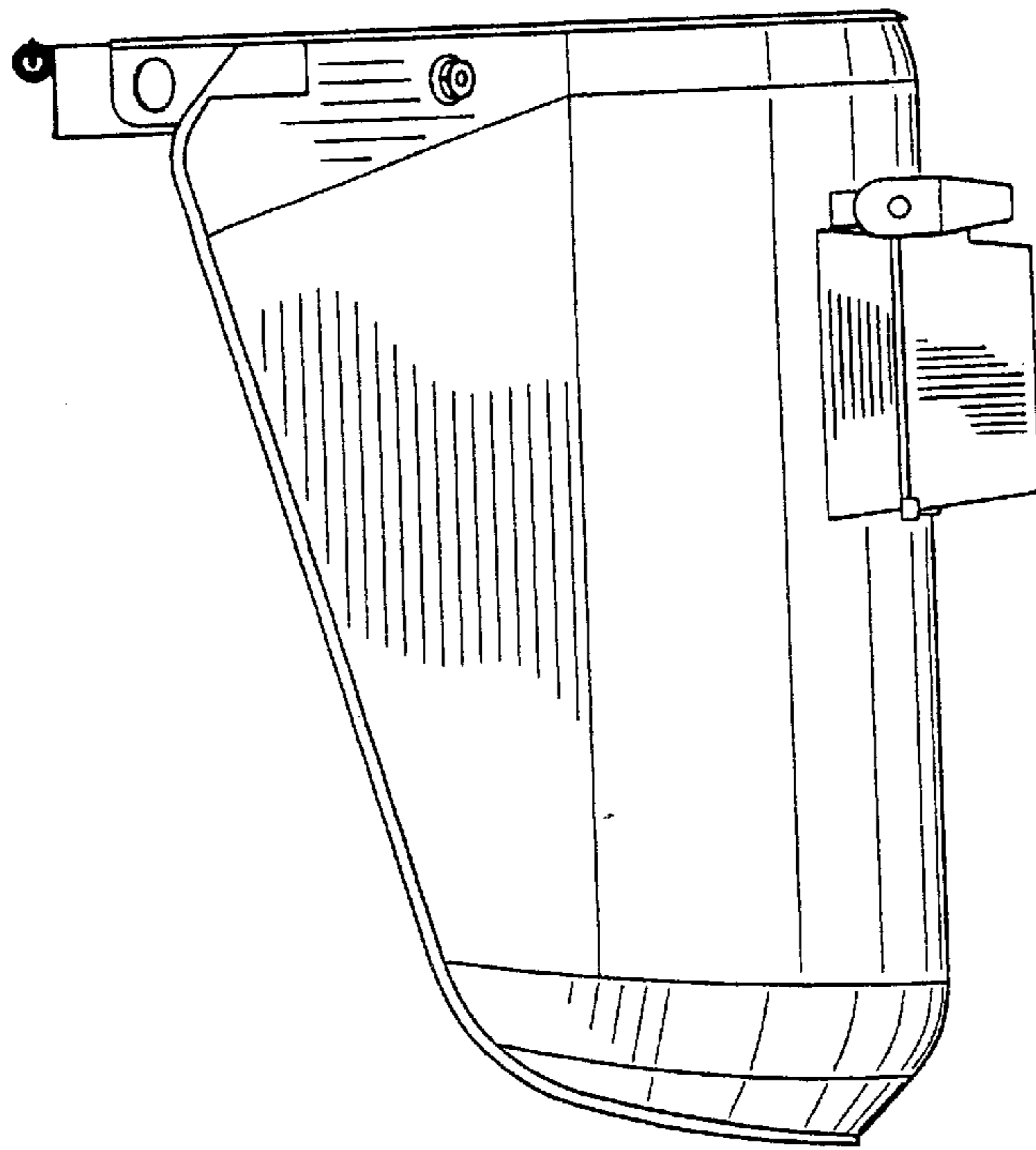


FIG. 4

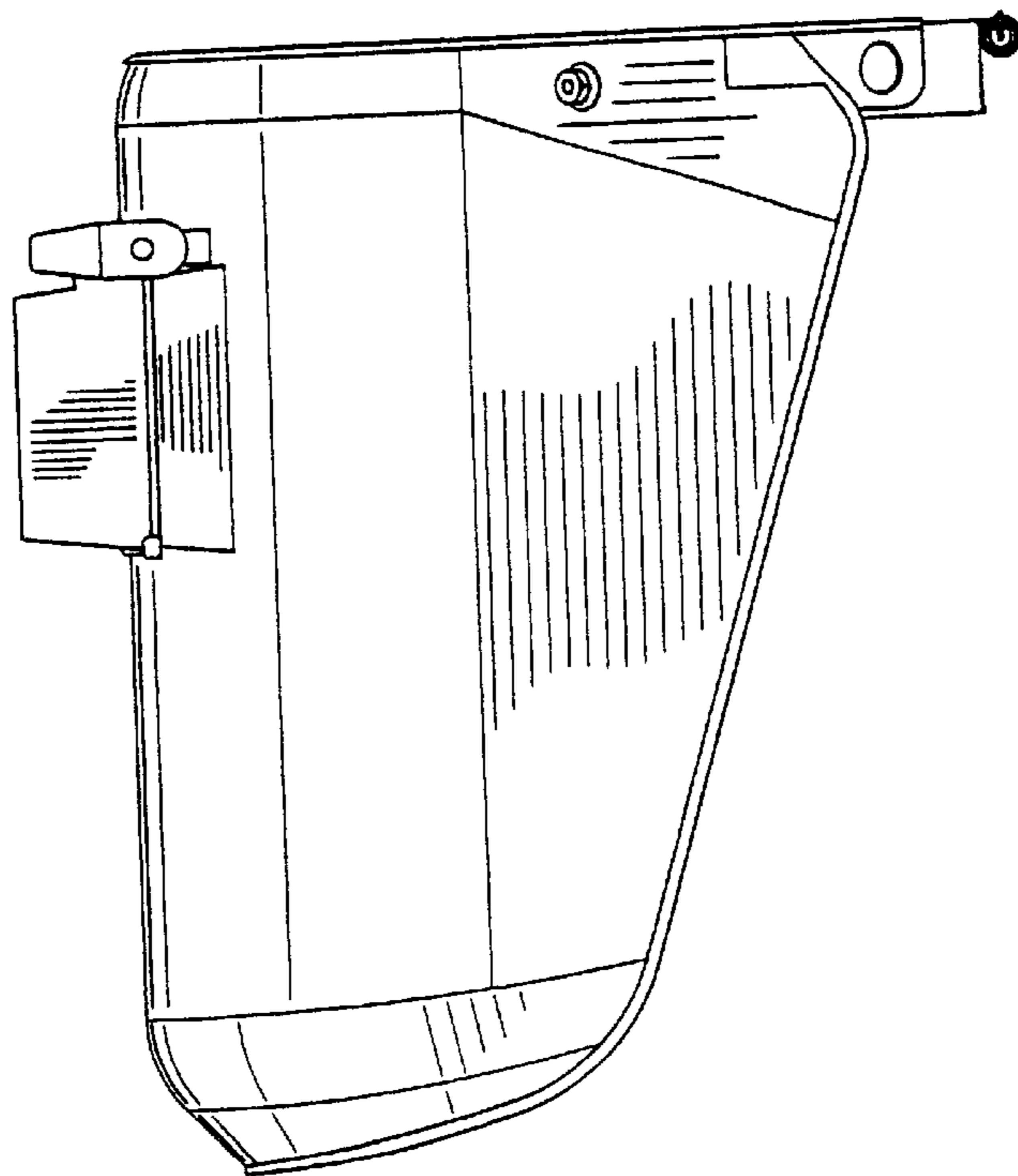


FIG. 5

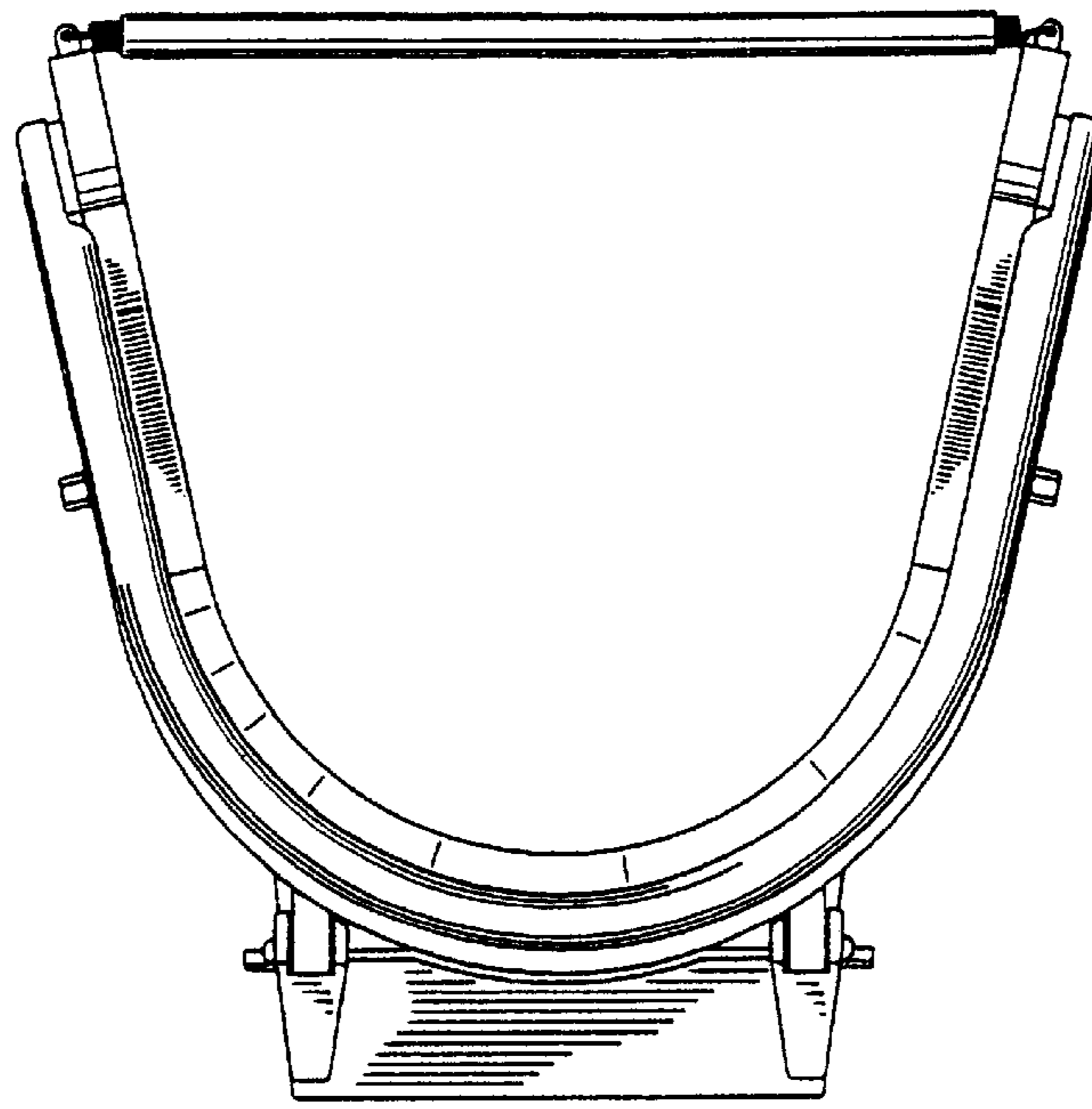


FIG. 6

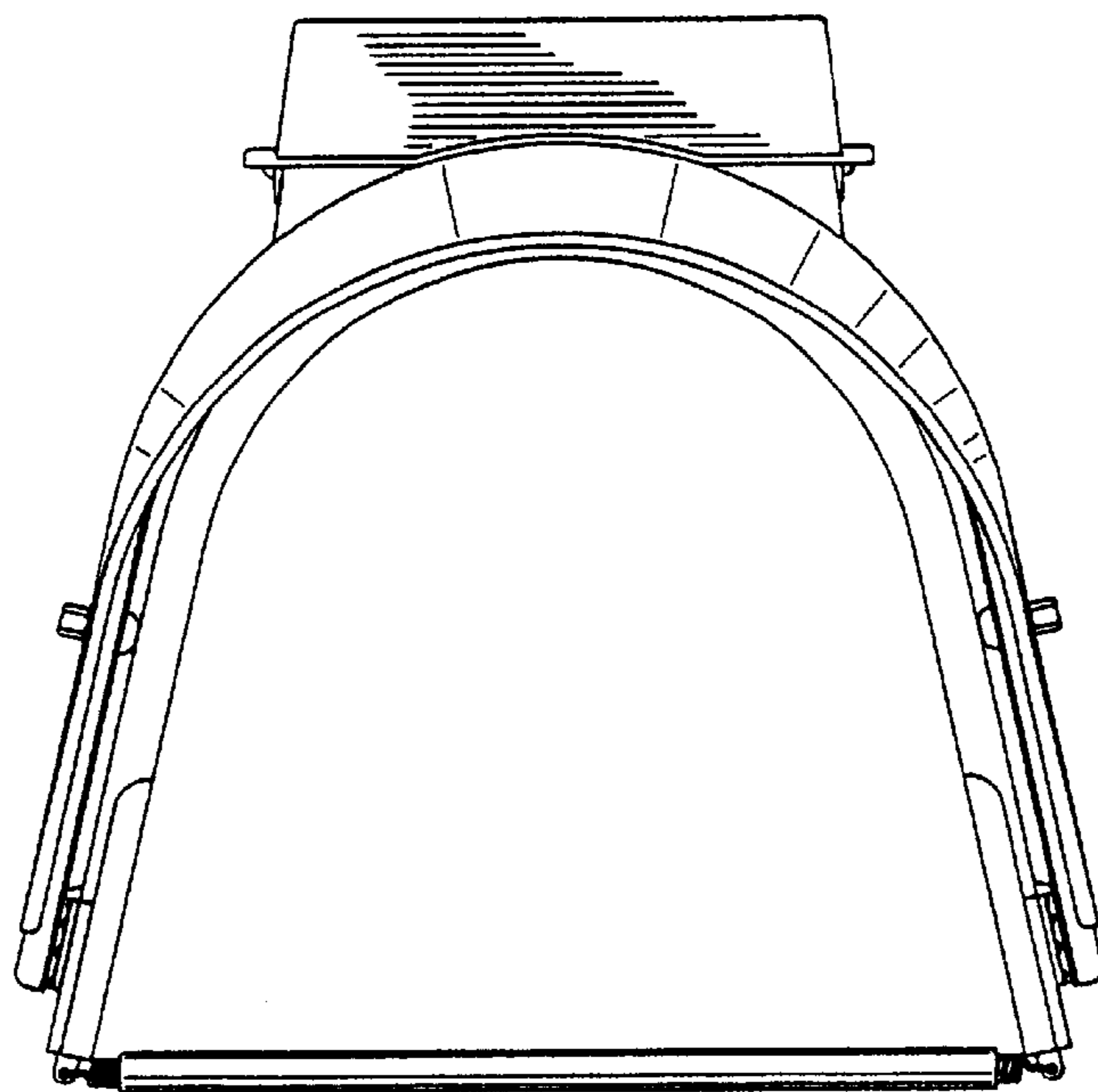


FIG. 7