



US00D479627S

(12) **United States Design Patent**
Micinilio et al.

(10) **Patent No.:** **US D479,627 S**

(45) **Date of Patent:** **** Sep. 9, 2003**

(54) **WET/DRY RECHARGEABLE SHAVER WITH STAND**

(75) Inventors: **Gregg A. Micinilio**, Trumbull, CT (US); **Joseph M. Sulik**, Bridgeport, CT (US)

(73) Assignee: **Remington Corporation, L.L.C.**, Bridgeport, CT (US)

(**) Term: **14 Years**

(21) Appl. No.: **29/173,901**

(22) Filed: **Jan. 6, 2003**

(51) **LOC (7) Cl.** **28-03**

(52) **U.S. Cl.** **D28/49**

(58) **Field of Search** D28/49-54; 30/32, 30/34.05, 34.1, 34.2, 41.9, 43, 43.1, 43.2, 43.3, 43.92, 48-50, 526, 223

(56) **References Cited**

U.S. PATENT DOCUMENTS

- D386,822 S * 11/1997 Van Scoyoc et al. D28/49
- D441,912 S * 5/2001 Micinilio D28/51
- 6,405,439 B1 * 6/2002 Malobabic et al. 30/43.92

* cited by examiner

Primary Examiner—Jennifer Rivard

(74) *Attorney, Agent, or Firm*—Melvin I. Stoltz

(57) **CLAIM**

The ornamental design for the wet/dry rechargeable shaver with stand, as shown and described.

DESCRIPTION

FIG. 1 is a perspective view of the wet/dry rechargeable shaver with stand showing our new design;

FIG. 2 is a front elevational view of the wet/dry rechargeable shaver;

FIG. 3 is a side elevational view of FIG. 2, looking from the right side of FIG. 2;

FIG. 4 is a rear elevational view of FIG. 2;

FIG. 5 is a side elevational view of FIG. 2, looking from the left side of FIG. 2;

FIG. 6 is a top plan view thereof;

FIG. 7 is a bottom plan view thereof;

FIG. 8 is a front elevational view of the Stand alone;

FIG. 9 is a side elevational view thereof, looking from the right side of FIG. 8;

FIG. 10 is a rear elevational view thereof;

FIG. 11 is a side elevational view thereof, looking from the left side of FIG. 8;

FIG. 12 is a top plan view

FIG. 13 is an alternate embodiment of the wet/dry rechargeable shaver with stand showing our new design;

FIG. 14 is a front elevational view thereof;

FIG. 15 is a side elevational view thereof; looking from the right side of FIG. 14;

FIG. 16 is a rear elevational view thereof;

FIG. 17 is a side elevational view of thereof, looking from the left side of FIG. 14;

FIG. 18 is a top plan view thereof; and,

FIG. 19 is a bottom plan view thereof.

The broken line environmental showing is for illustrative purposes only and forms no part of the claimed design.

The shaver and the stand are disclosed separately for convenience of illustration. Further, it is understood that the disclosure of the stand in the second embodiment is identical to the disclosure of the stand in the first embodiment.

1 Claim, 6 Drawing Sheets

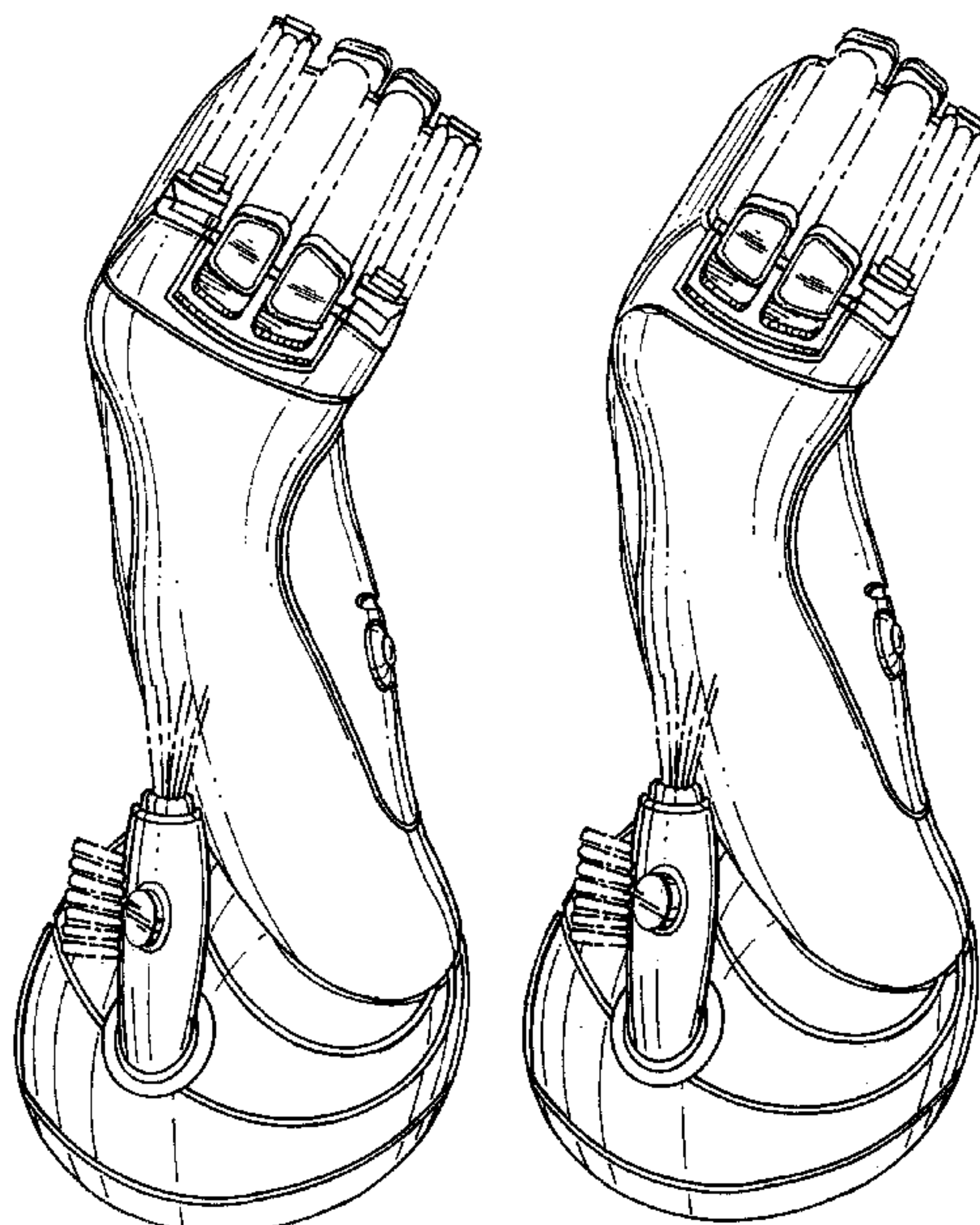


FIG. 1

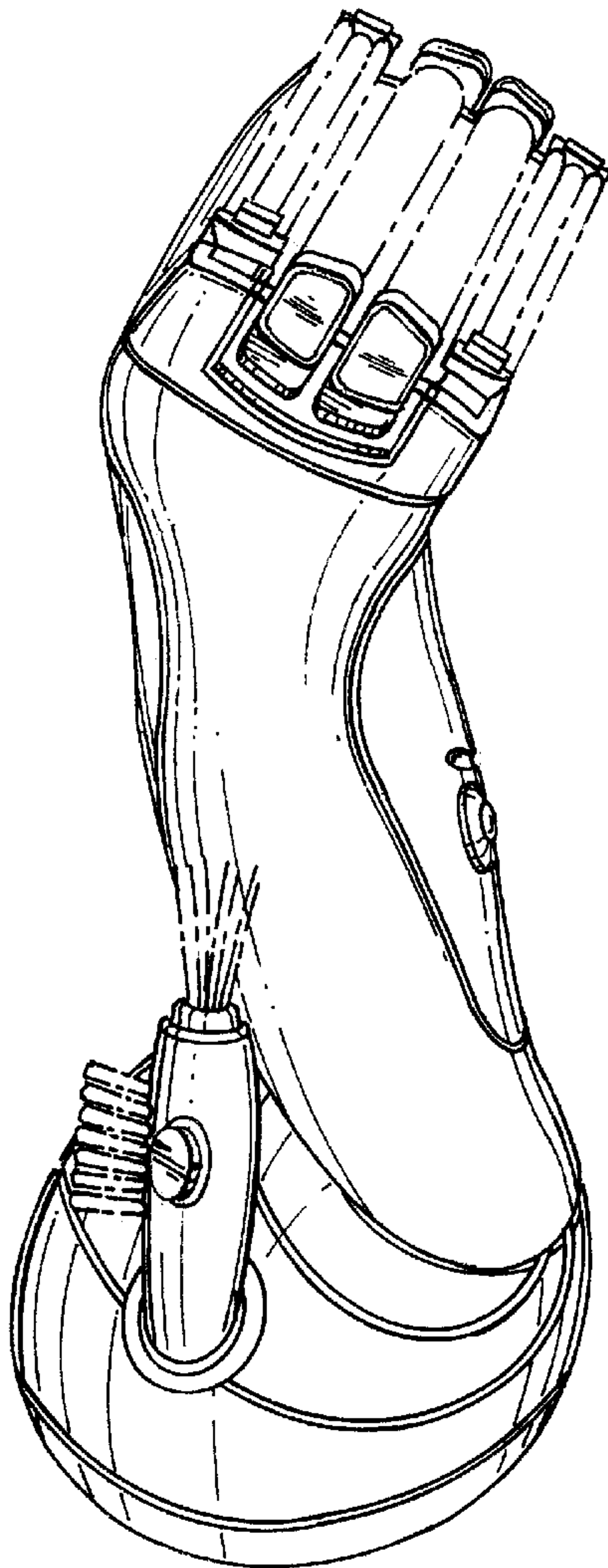


FIG. 2

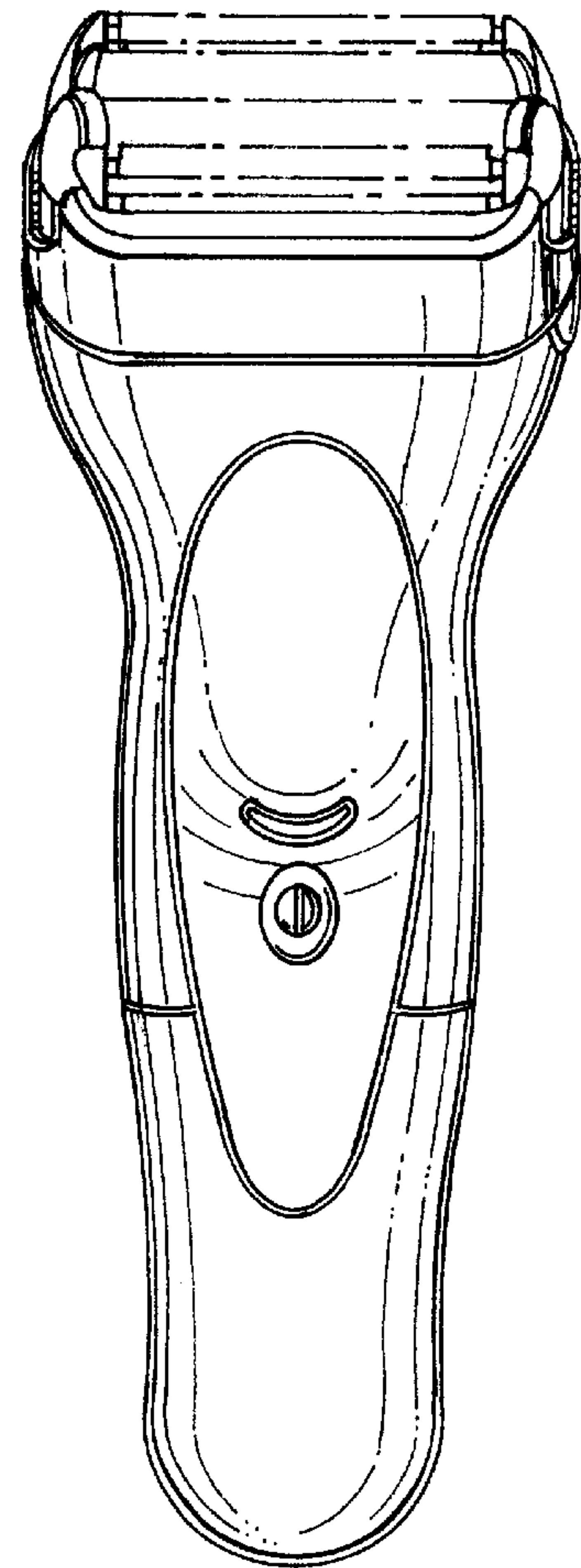


FIG. 6

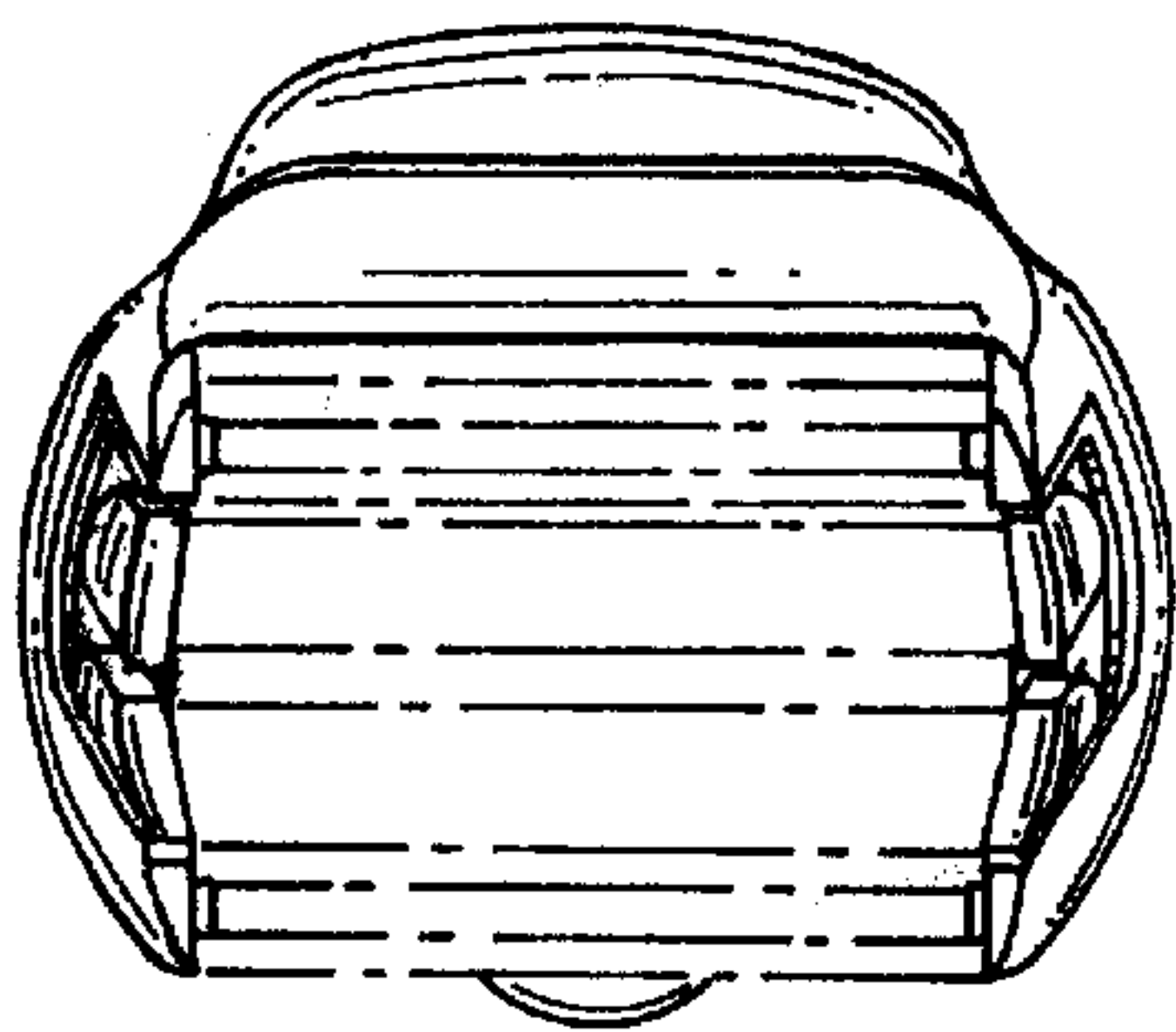


FIG. 3

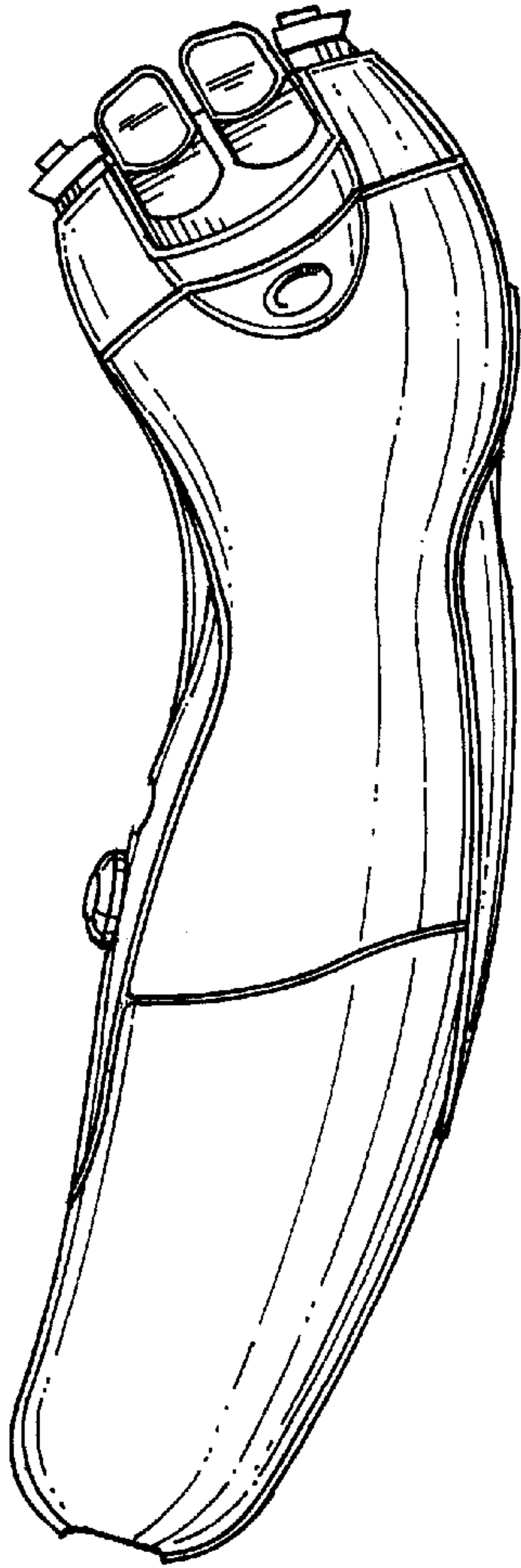


FIG. 4

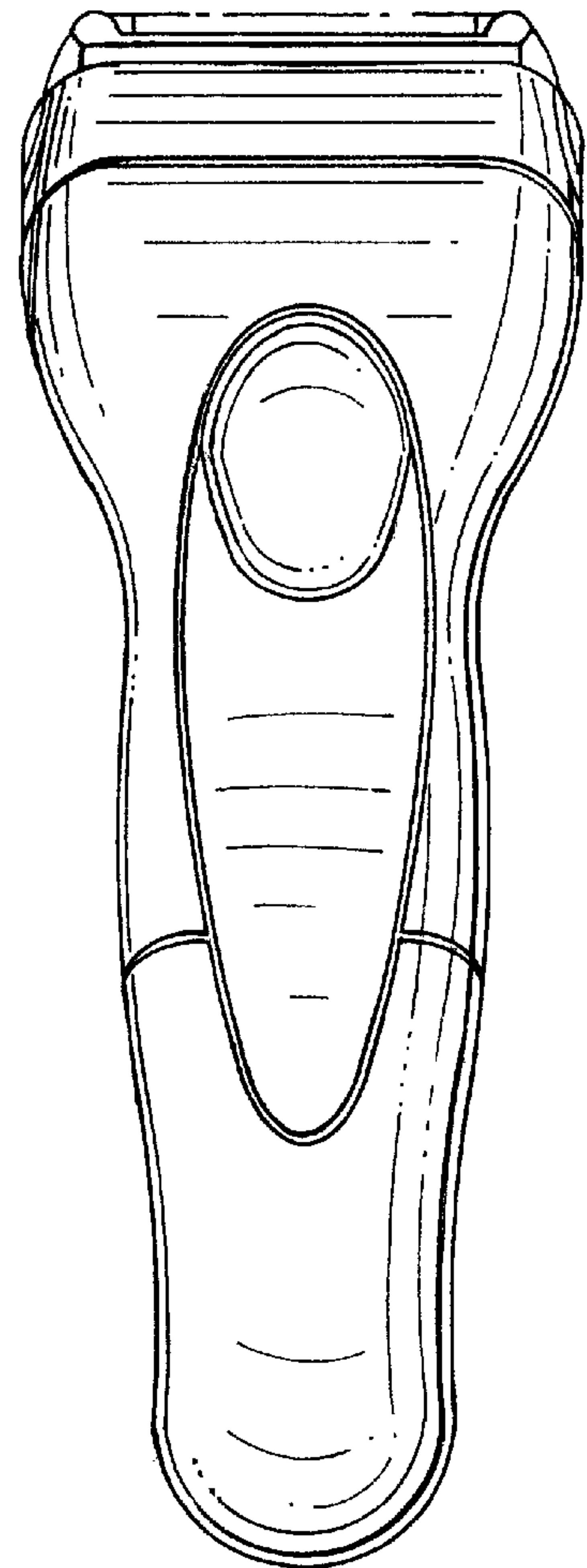


FIG. 7

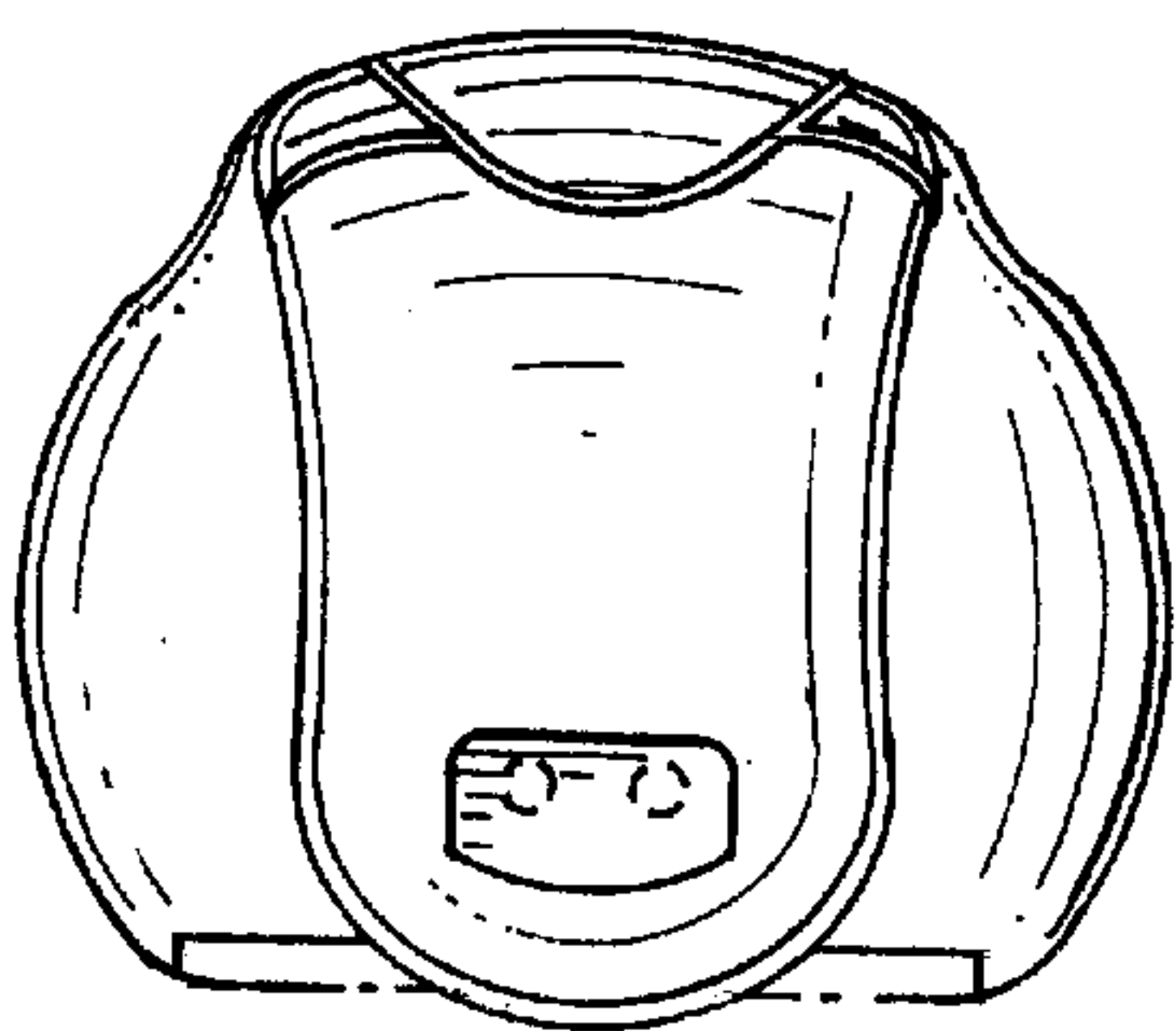


FIG. 5

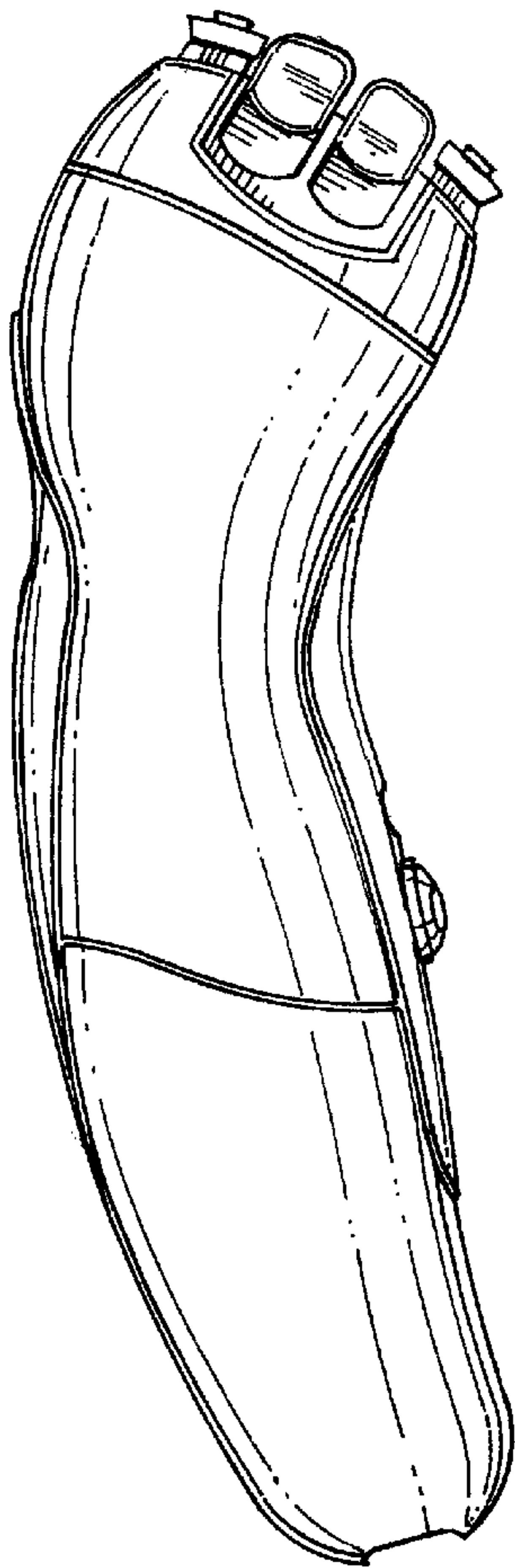


FIG. 8

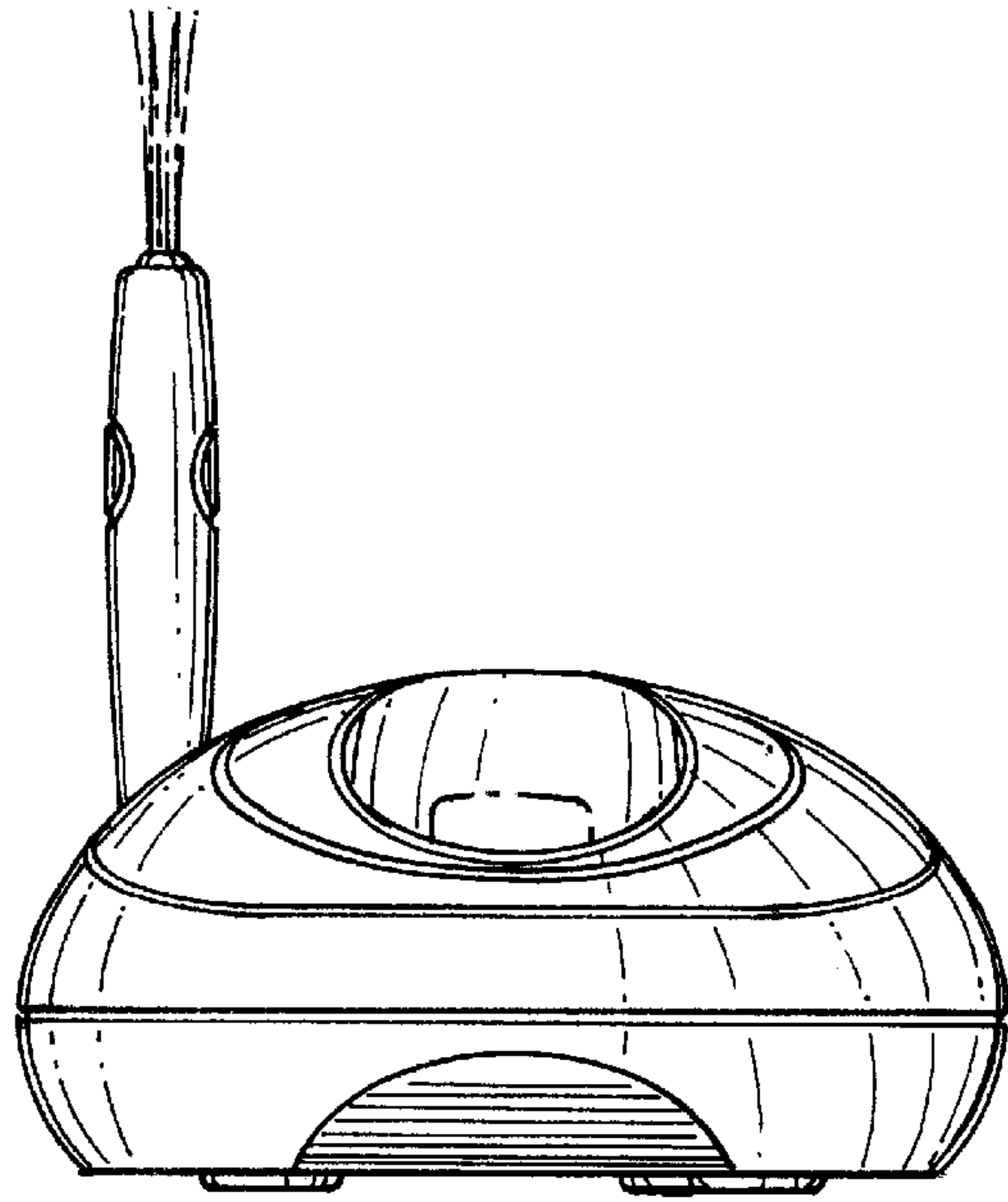


FIG. 9

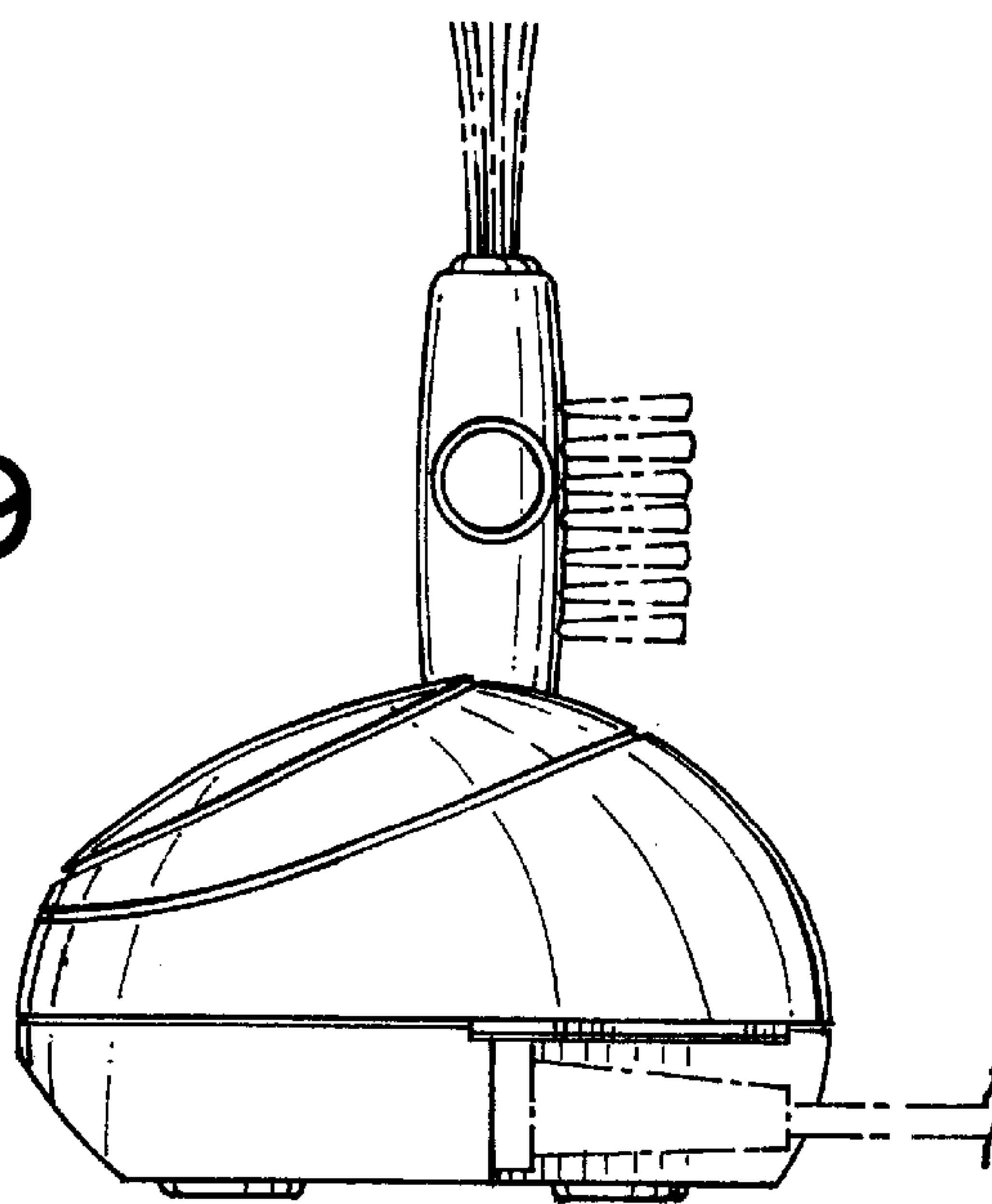


FIG. 10

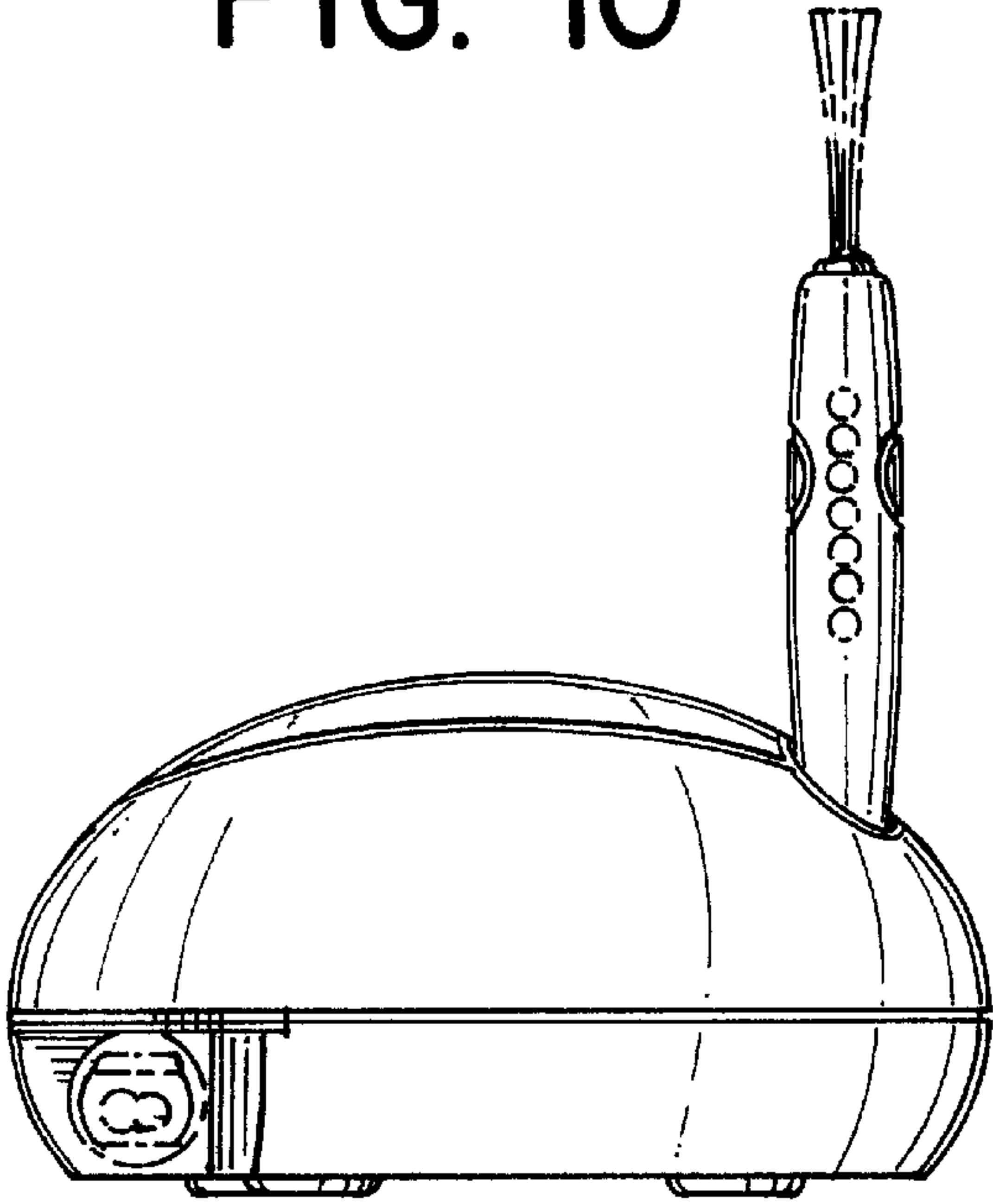


FIG. 11

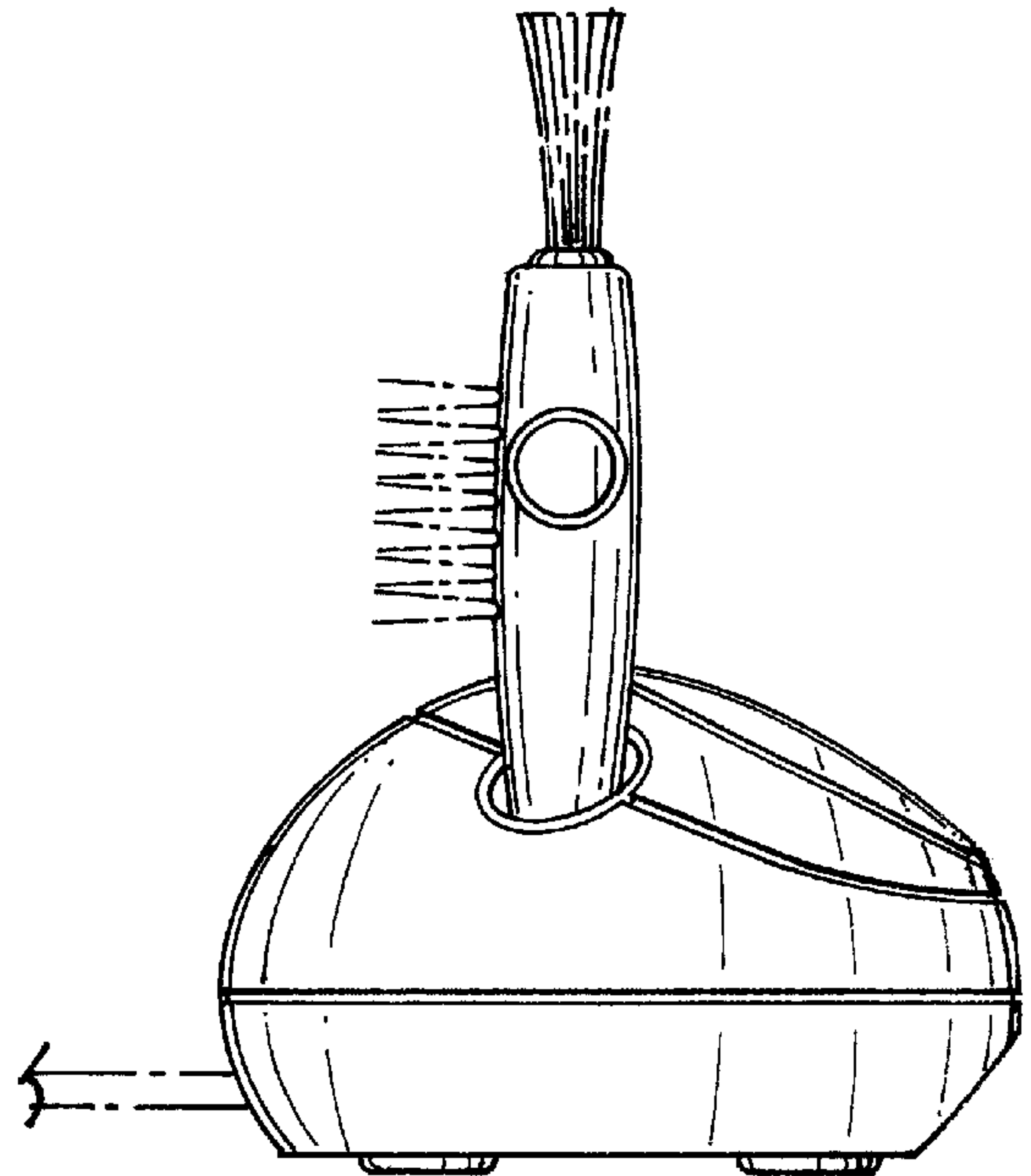


FIG. 12

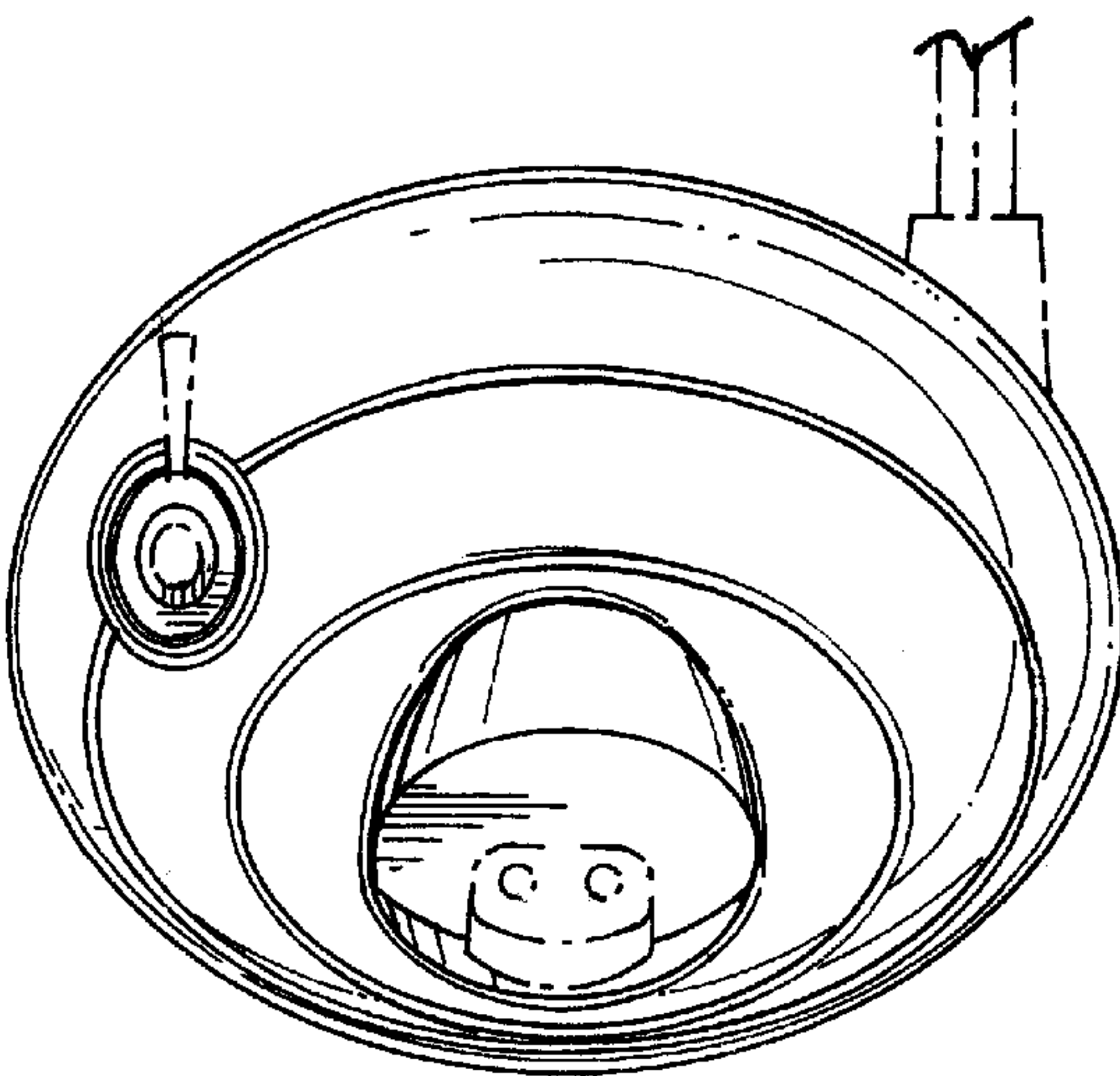


FIG. 13

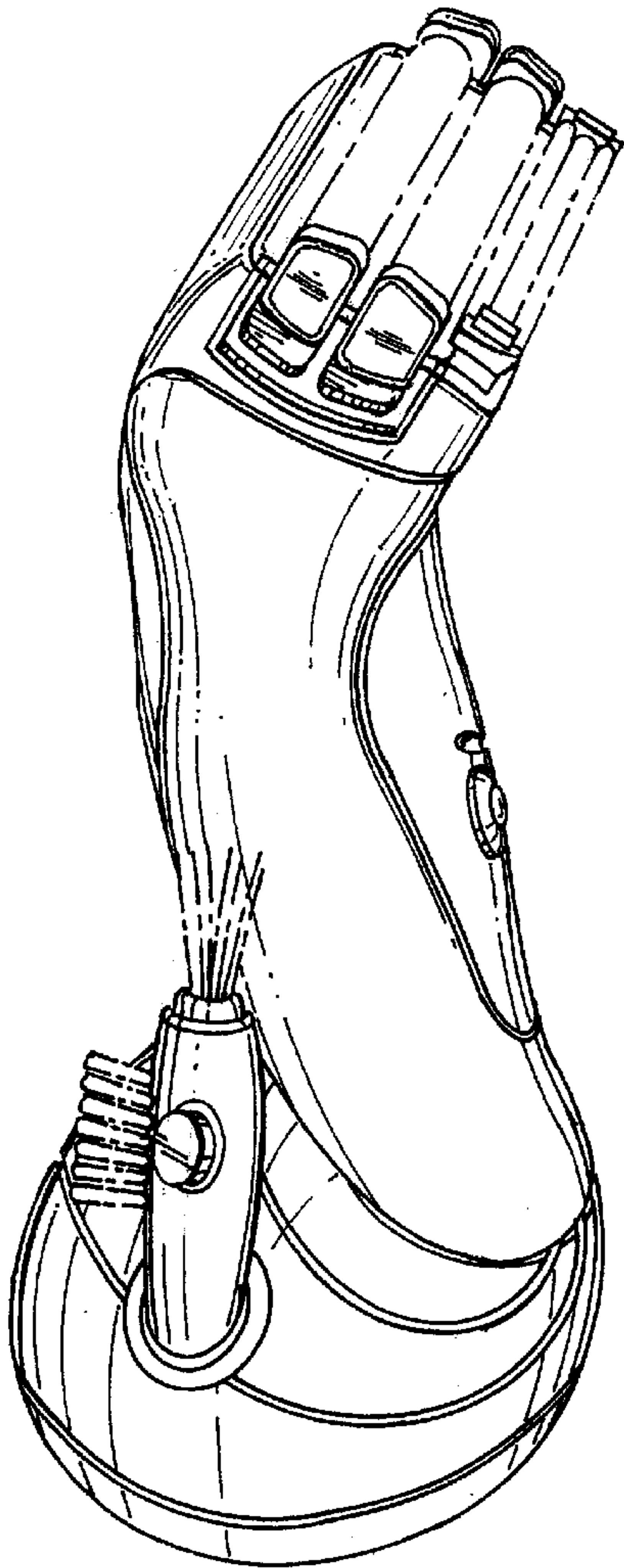


FIG. 14

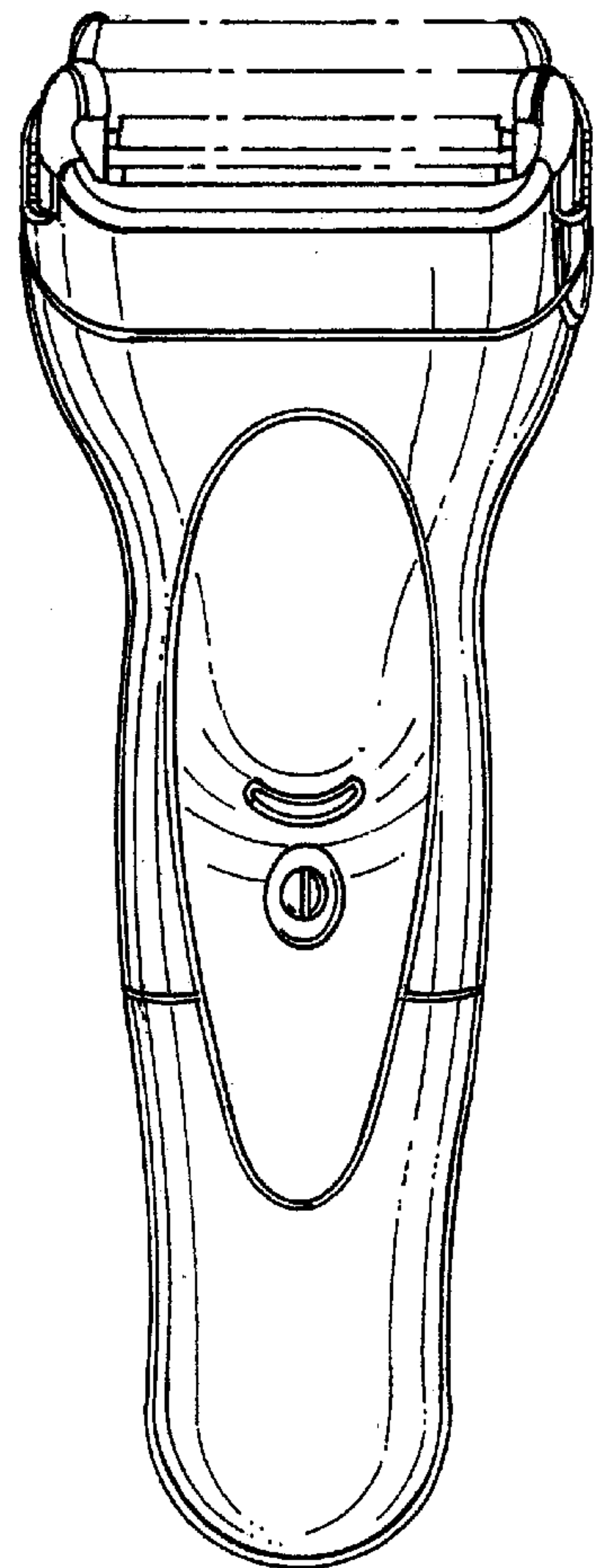


FIG. 18

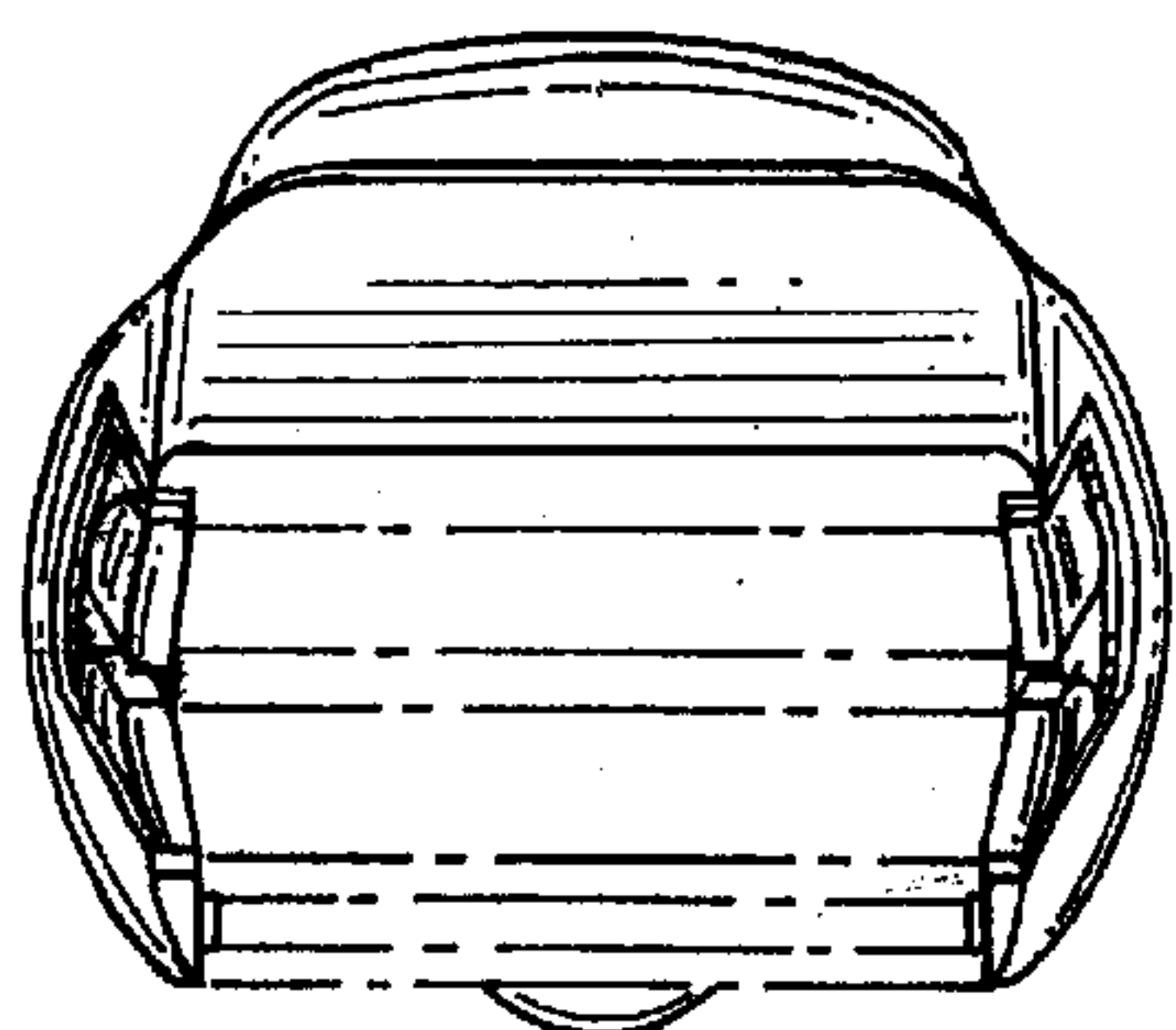


FIG. 15

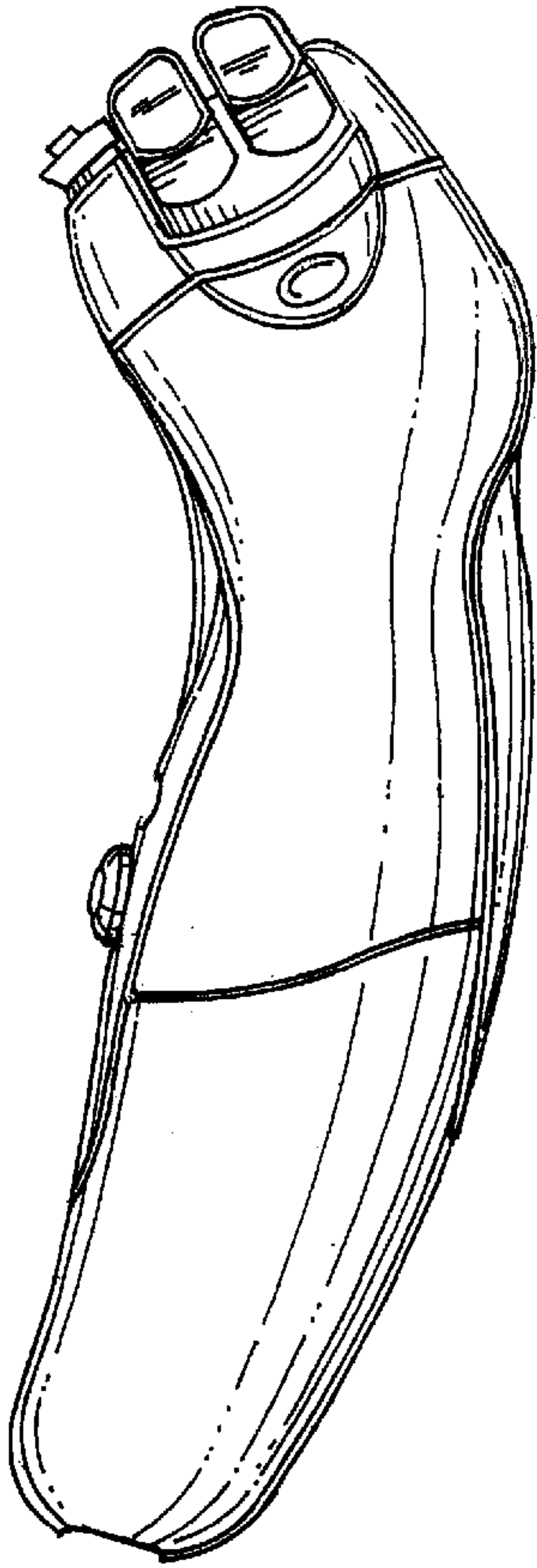


FIG. 16

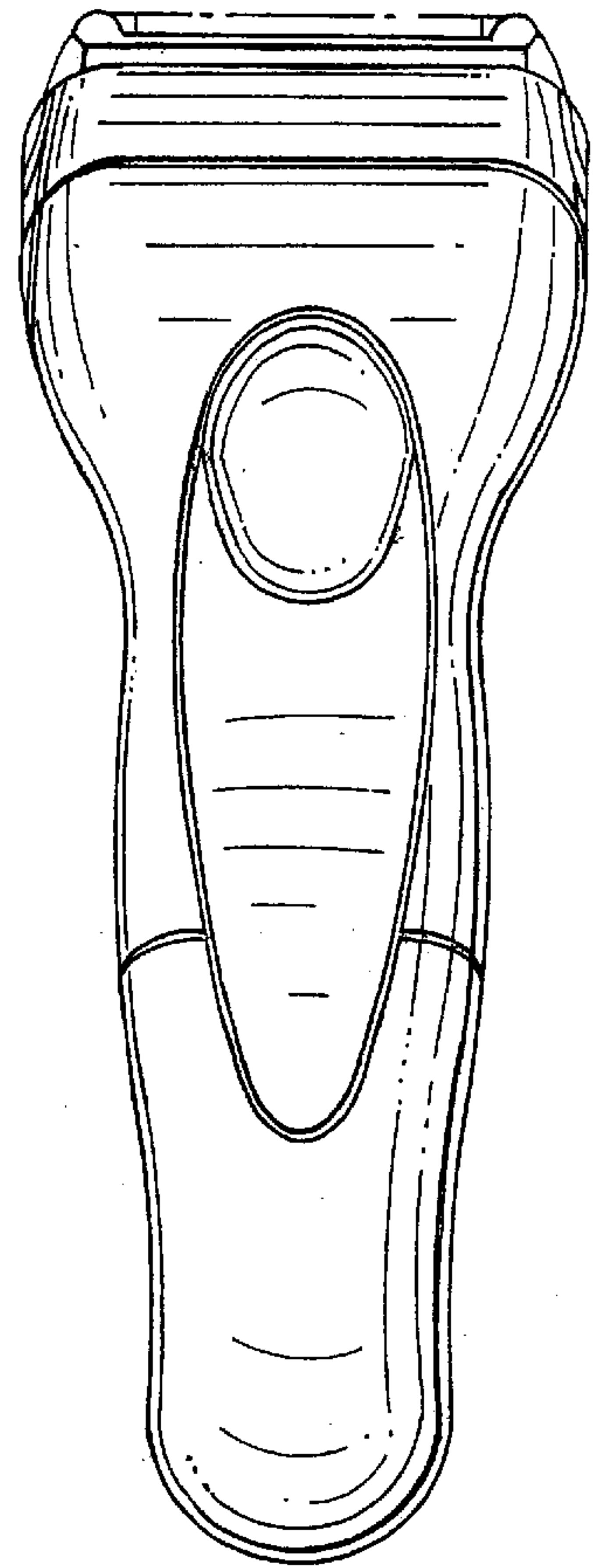


FIG. 17

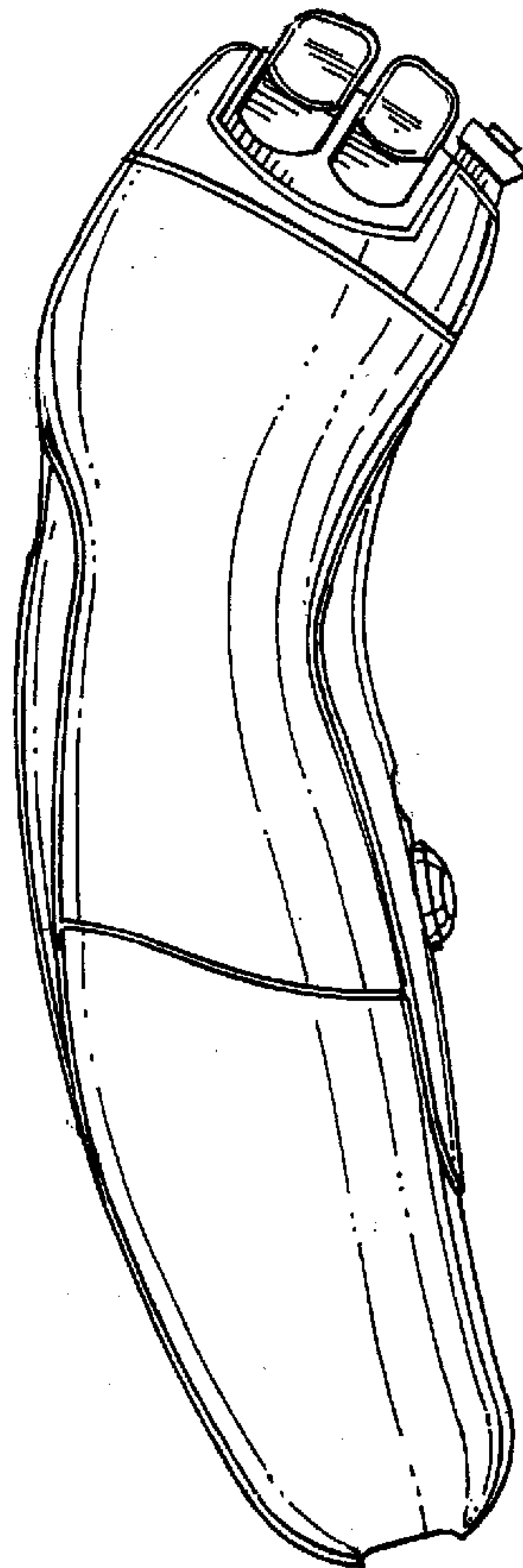


FIG. 19

