



US00D479625S

(12) **United States Design Patent**
Poliseno

(10) **Patent No.:** **US D479,625 S**

(45) **Date of Patent:** **** Sep. 9, 2003**

(54) **HAIR CURLING KIT**

Primary Examiner—Jennifer Rivard

(76) **Inventor:** **Karen R. Poliseno**, 453 Van Gordon St., 7-334, Lakewood, CO (US) 80228

(57) **CLAIM**

The ornamental design for a hair curling kit, as shown and described.

(**) **Term:** **14 Years**

DESCRIPTION

(21) **Appl. No.:** **29/171,590**

FIG. 1 is a front view of a hair curling kit showing my new design.

(22) **Filed:** **Nov. 25, 2002**

FIG. 2 is a back view of the hair curling kit.

(51) **LOC (7) Cl.** **28-03**

(52) **U.S. Cl.** **D28/35**

(58) **Field of Search** D28/35-38; 132/223-225, 132/269, 271; 219/222, 225

FIG. 3 is a first end view of the hair curling kit.

FIG. 4 is a second end view of the hair curling kit.

(56) **References Cited**

U.S. PATENT DOCUMENTS

D294,742 S	*	3/1988	Oberheim	D28/35
D299,278 S	*	1/1989	Reeves et al.	D28/35
D404,523 S	*	1/1999	Lucier	D28/38
5,893,375 A	*	4/1999	Majors	219/225

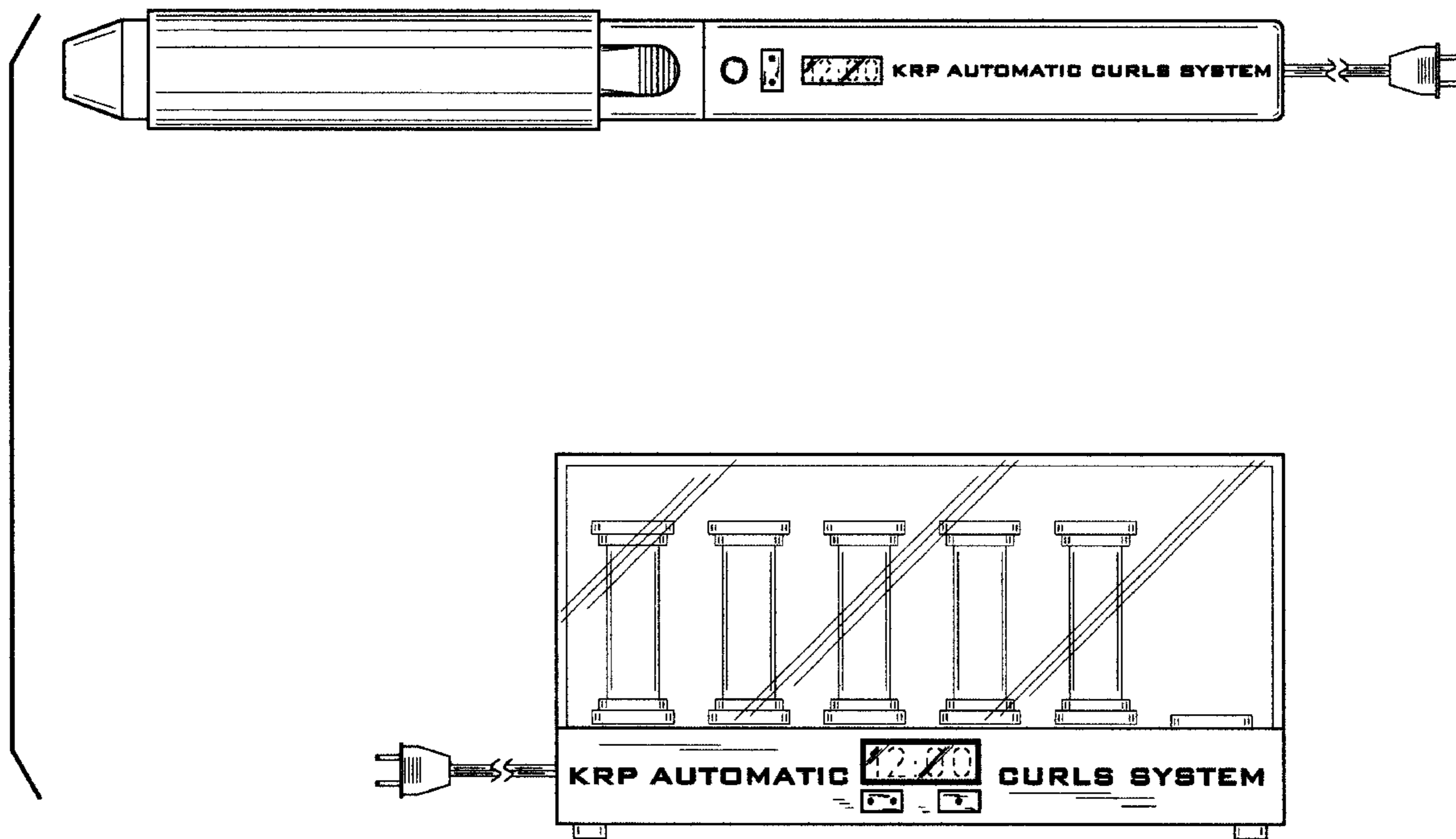
FIG. 5 is a top view of the hair curling kit; and,

FIG. 6 is a bottom view of the hair curling kit.

The electrical cords are shown broken away to indicate indeterminate length.

* cited by examiner

1 Claim, 5 Drawing Sheets



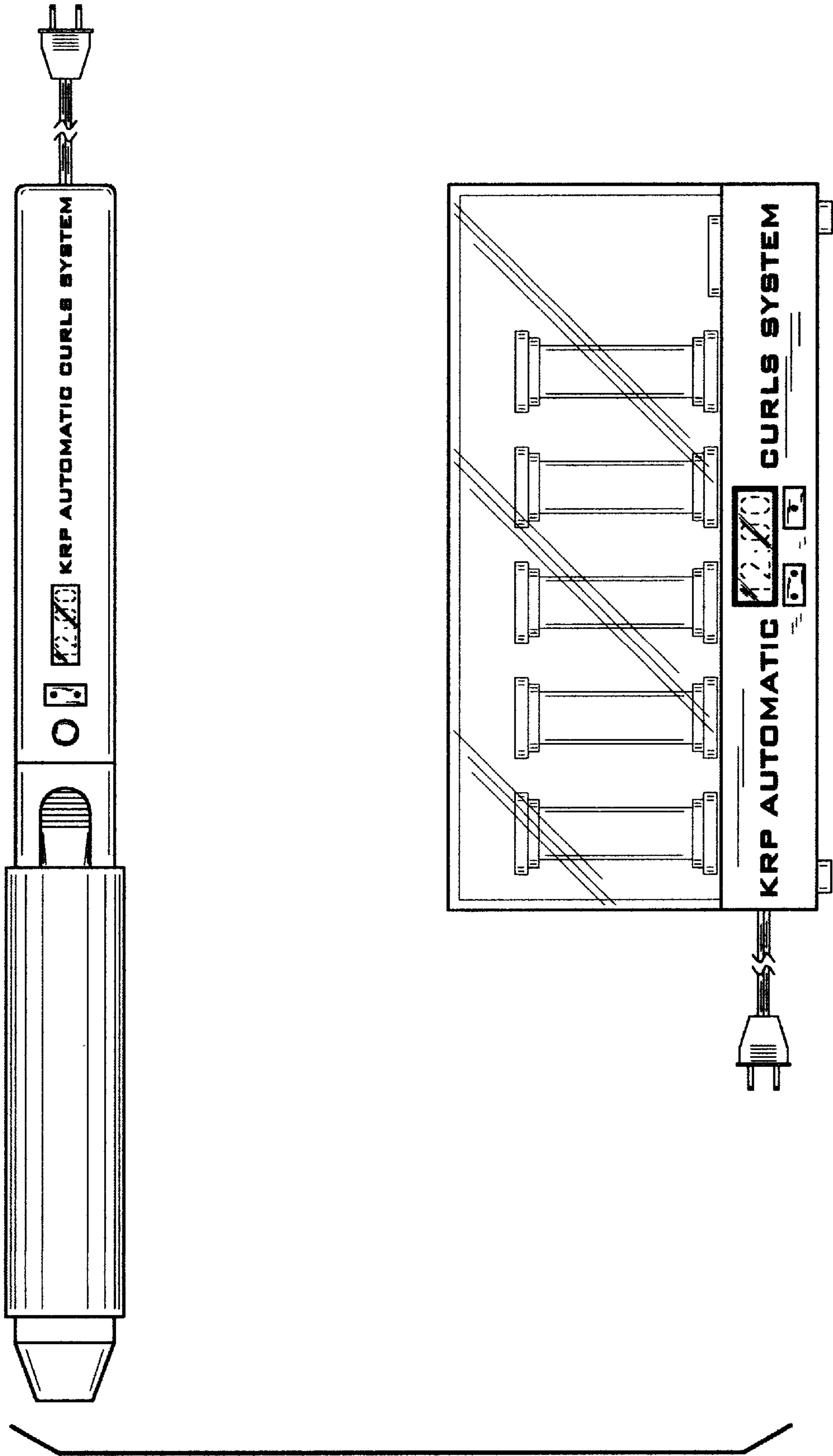


FIG. 1

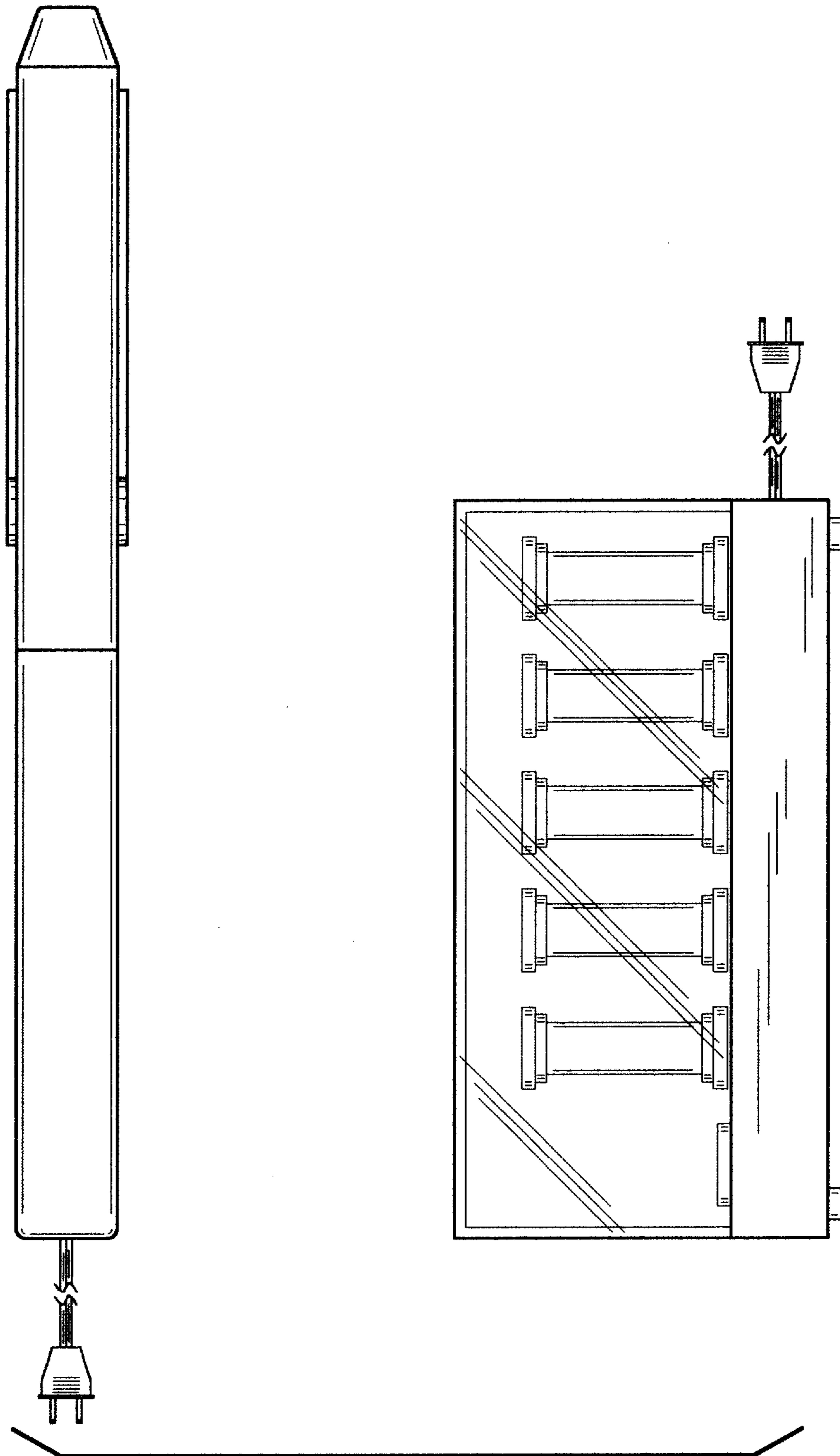


FIG. 2

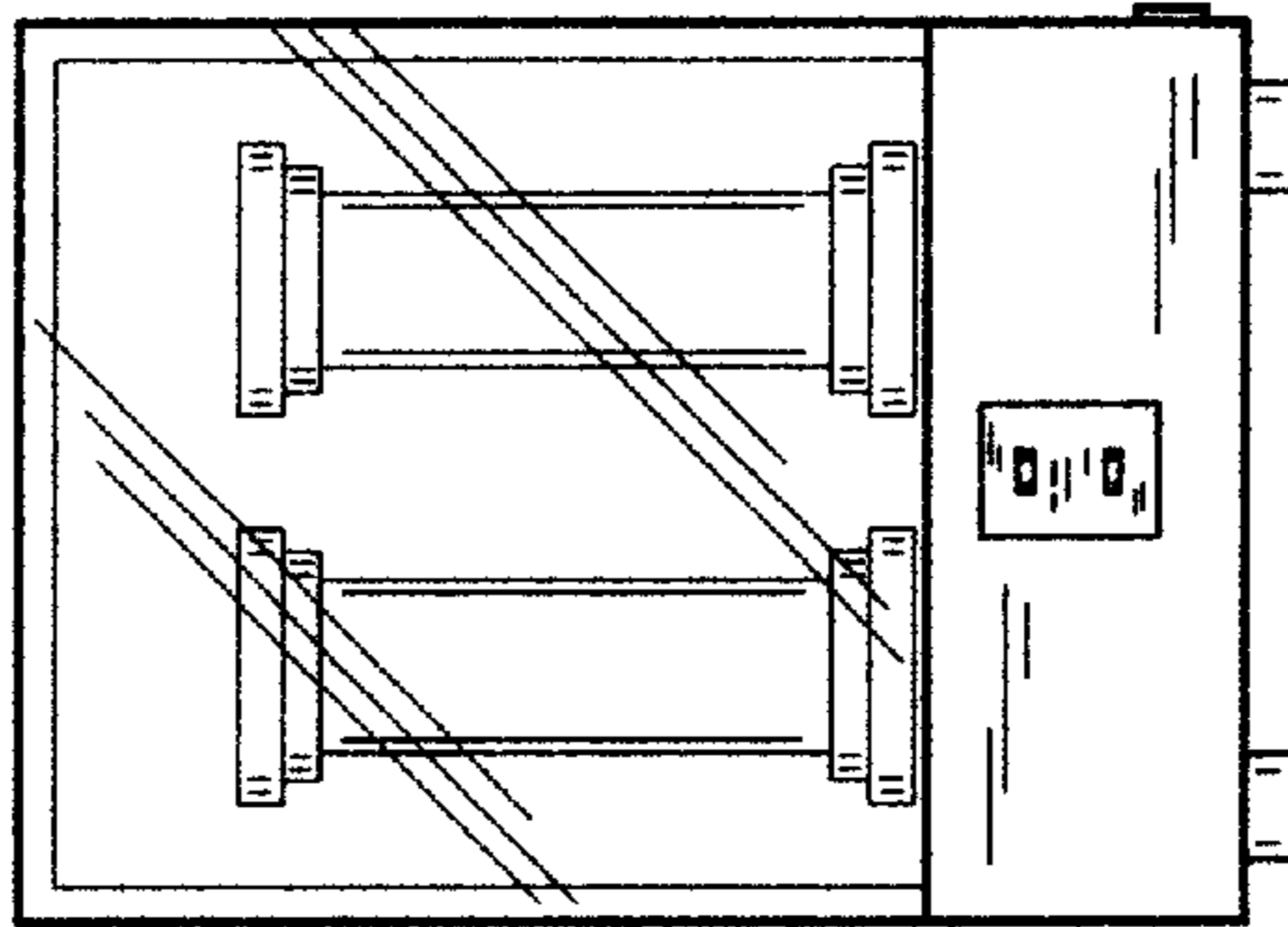
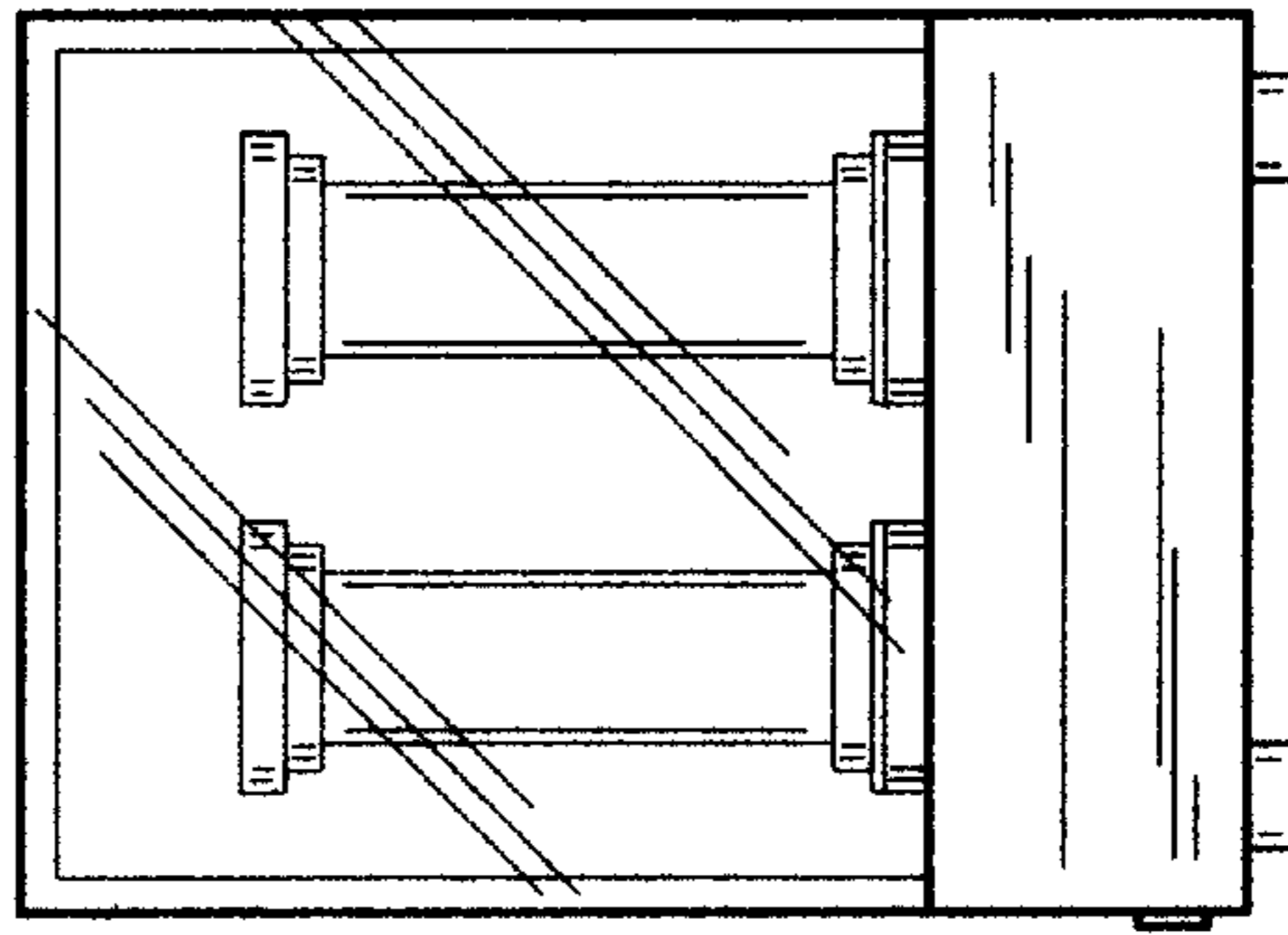
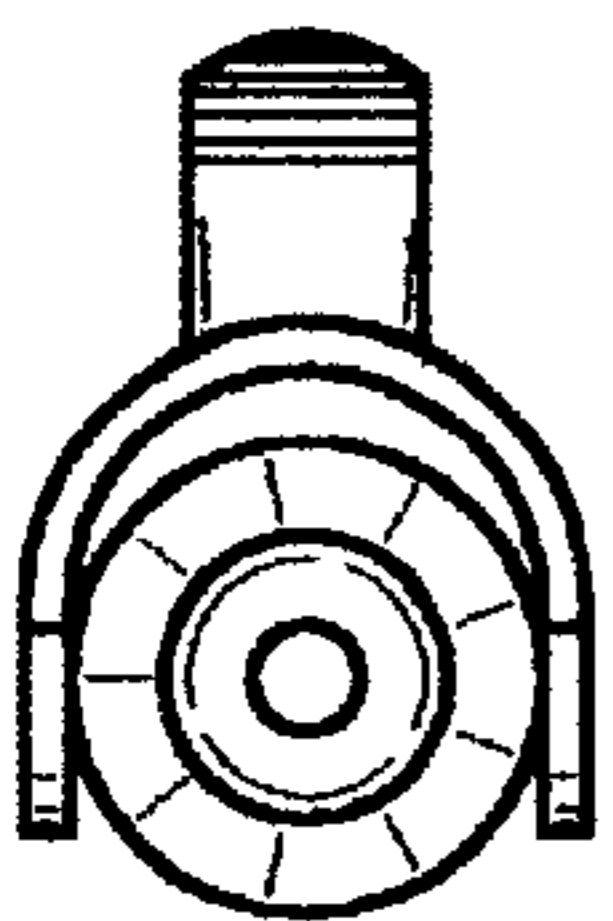
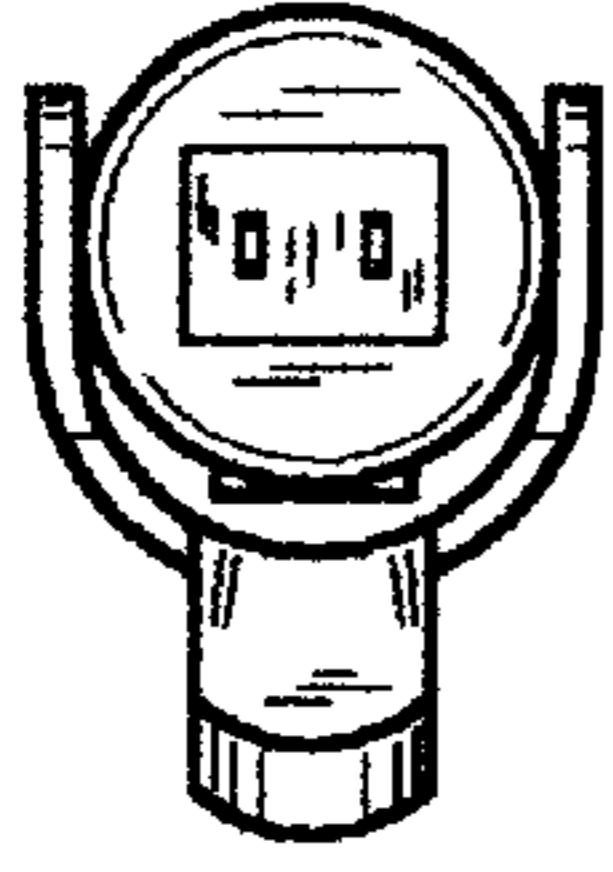


FIG. 4

FIG. 3

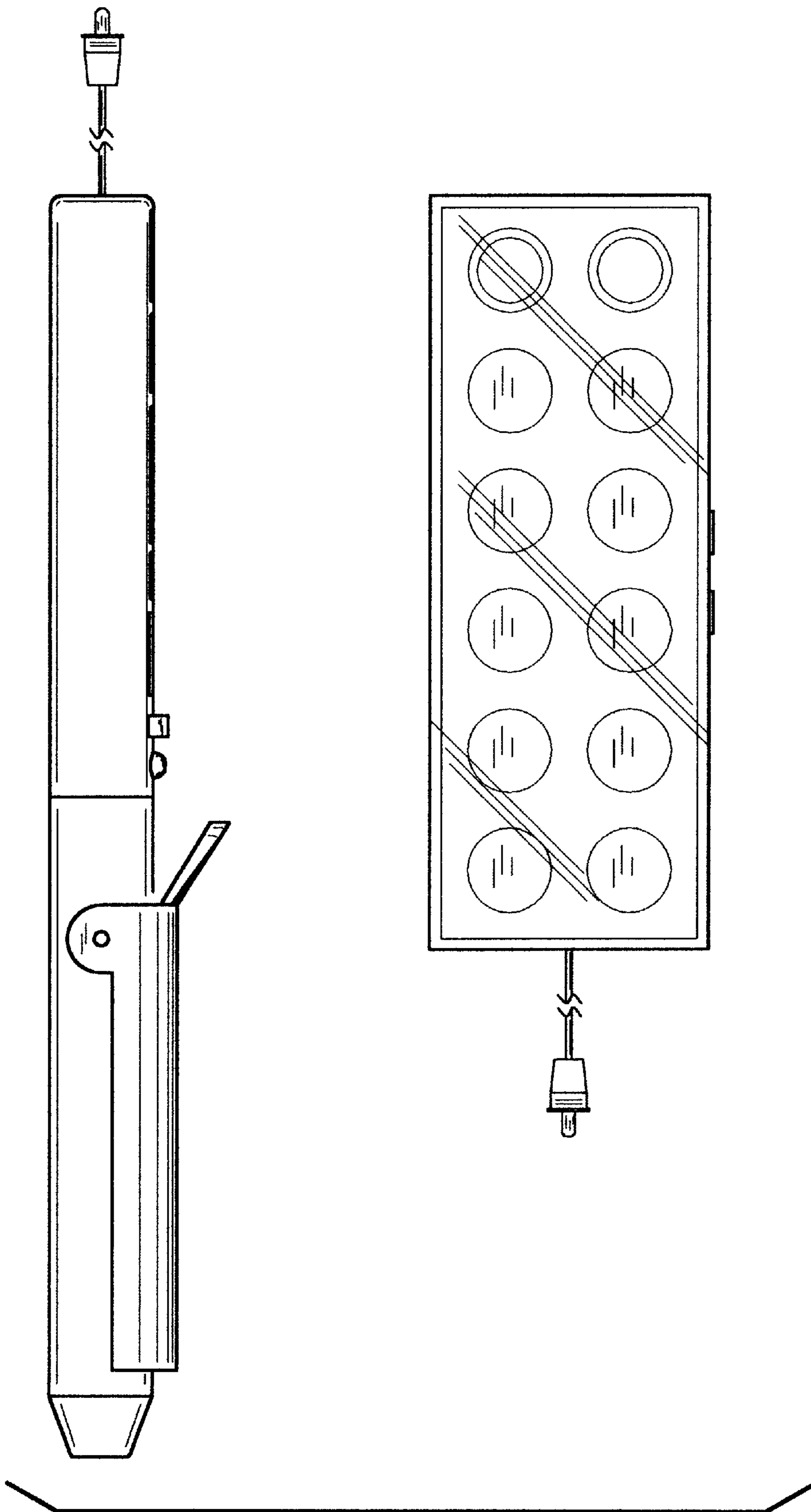


FIG. 5

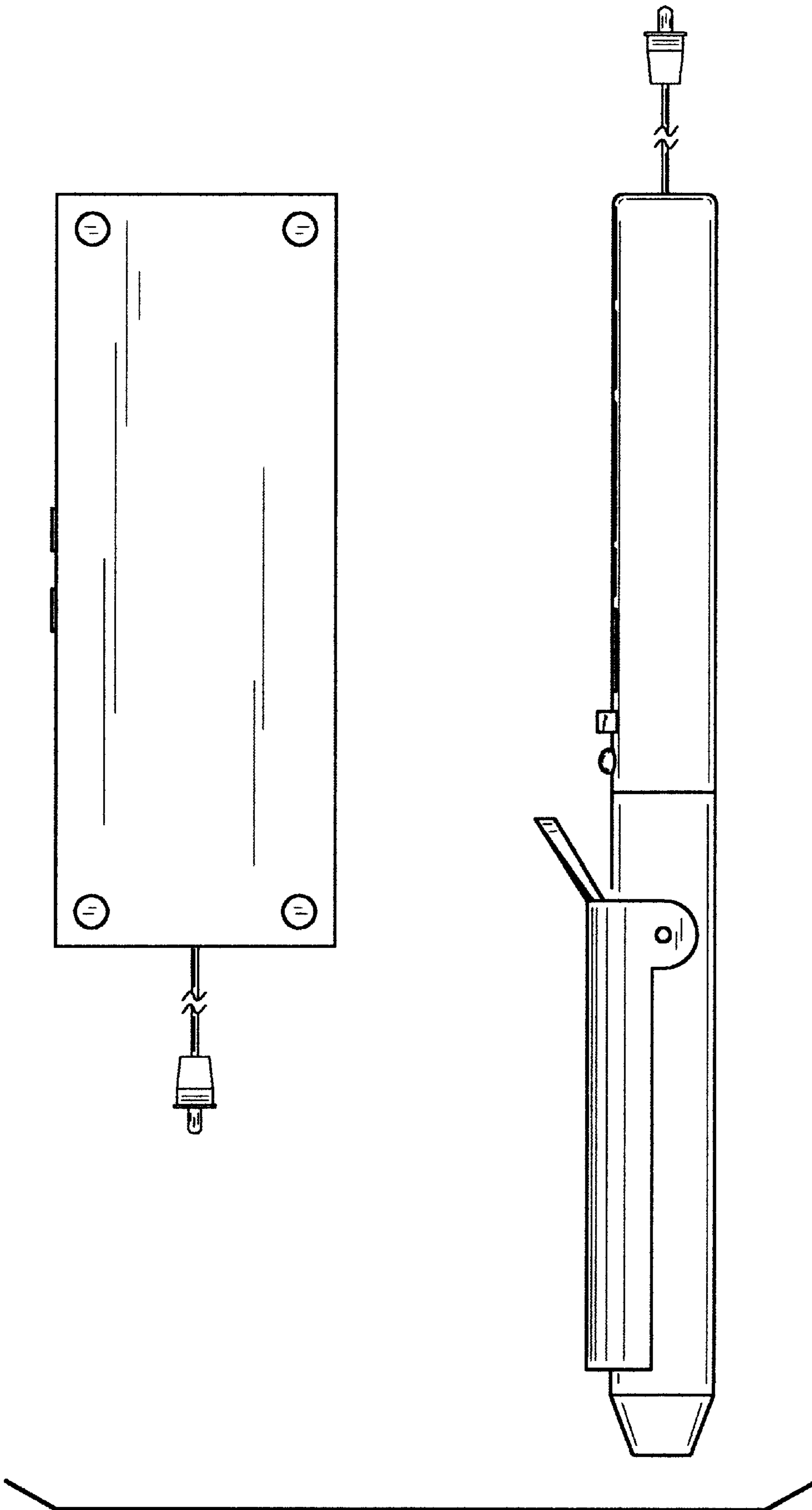


FIG. 6