



US00D479624S

(12) **United States Design Patent**
Svendsen et al.

(10) **Patent No.:** **US D479,624 S**
(45) **Date of Patent:** **** Sep. 9, 2003**

(54) **LUMINAIRE MOUNT**

(75) Inventors: **Sean W. Svendsen**, Columbus, OH (US); **Fred C. Schlichter**, Newark, OH (US); **Scott L. Posey**, Newark, OH (US)

(73) Assignee: **Acuity Brands, Inc.**, Atlanta, GA (US)

(**) Term: **14 Years**

(21) Appl. No.: **29/169,409**

(22) Filed: **Oct. 18, 2002**

(51) **LOC (7) Cl.** **26-99**

(52) **U.S. Cl.** **D26/155; D26/145**

(58) **Field of Search** **D26/87, 92, 145, D26/155; 362/432**

(56) **References Cited**

U.S. PATENT DOCUMENTS

D118,311 S	*	12/1939	Poor	D26/145
5,924,789 A	*	7/1999	Thornton	362/432
D419,713 S	*	1/2000	Diaz-Azcuy	D26/87

* cited by examiner

Primary Examiner—Jennifer Rivard
(74) *Attorney, Agent, or Firm*—Kenneth E. Darnell

(57) **CLAIM**

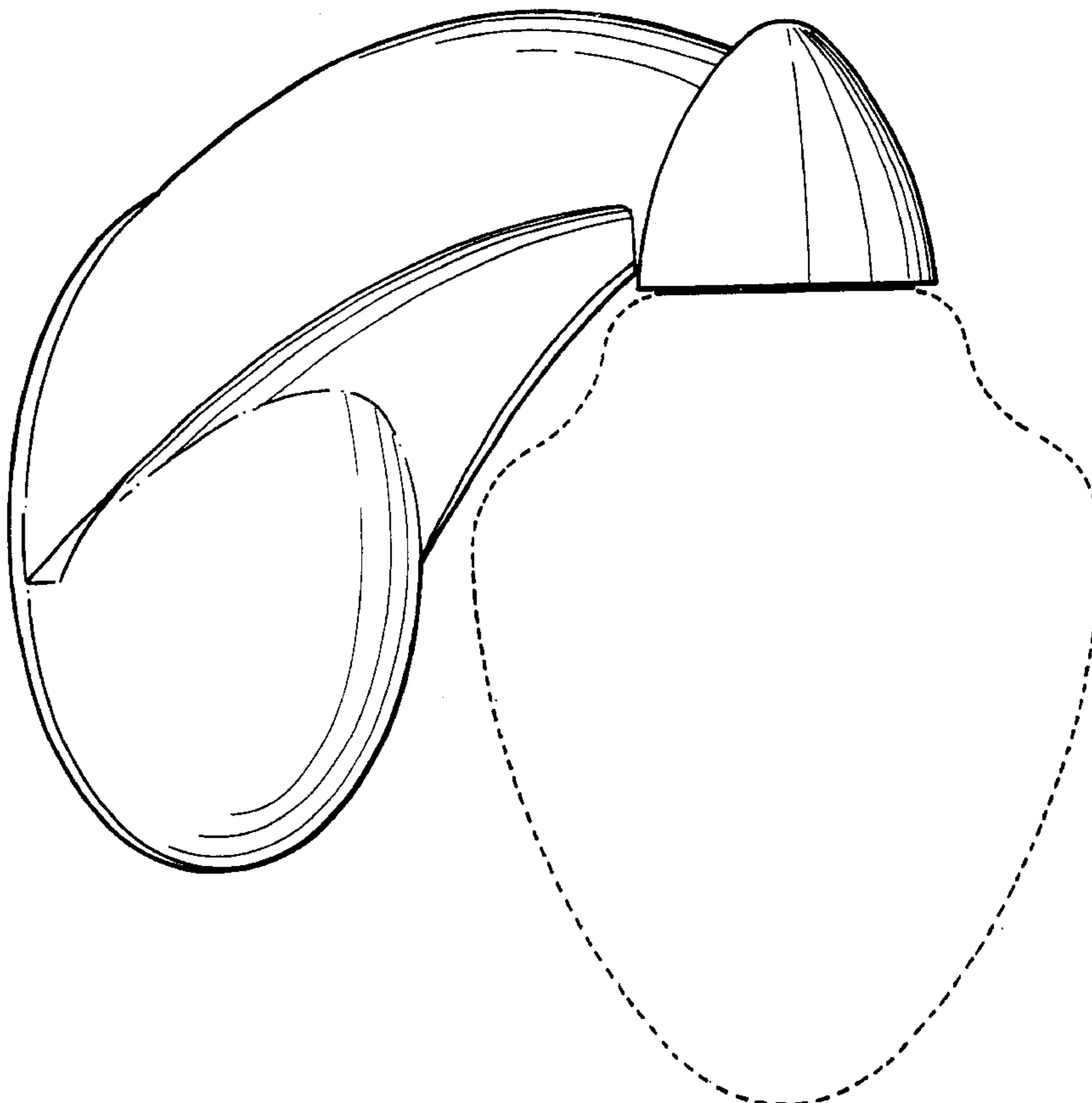
The ornamental design for a luminaire mount, as shown and described.

DESCRIPTION

FIG. 1 is a bottom perspective view of a first embodiment of the luminaire mount showing the new design; FIG. 2 is a side elevational view thereof; FIG. 3 is a front elevational view thereof; FIG. 4 is a bottom view thereof; FIG. 5 is a top plan view thereof; FIG. 6 is a top perspective view thereof; FIG. 7 is a perspective view of a second embodiment of the luminaire mount of the new design shown inverted in an operational environment; FIG. 8 is a side elevational view thereof; FIG. 9 is a front elevational view thereof; FIG. 10 is a top plan view thereof; and, FIG. 11 is a bottom view thereof.

The broken line environmental showing is for illustrative purposes only and forms no part of the claimed design.

1 Claim, 7 Drawing Sheets



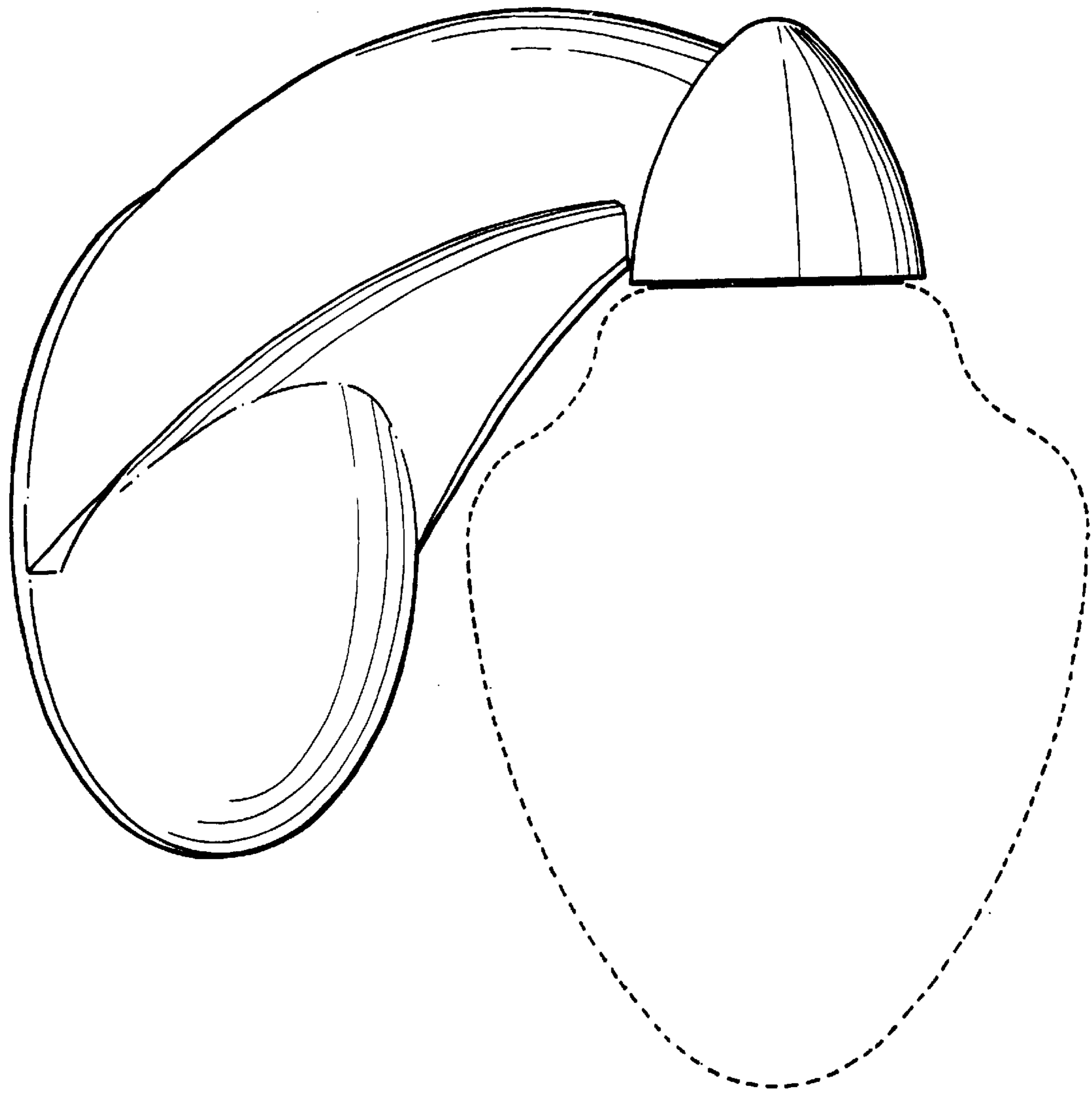


Fig. 1

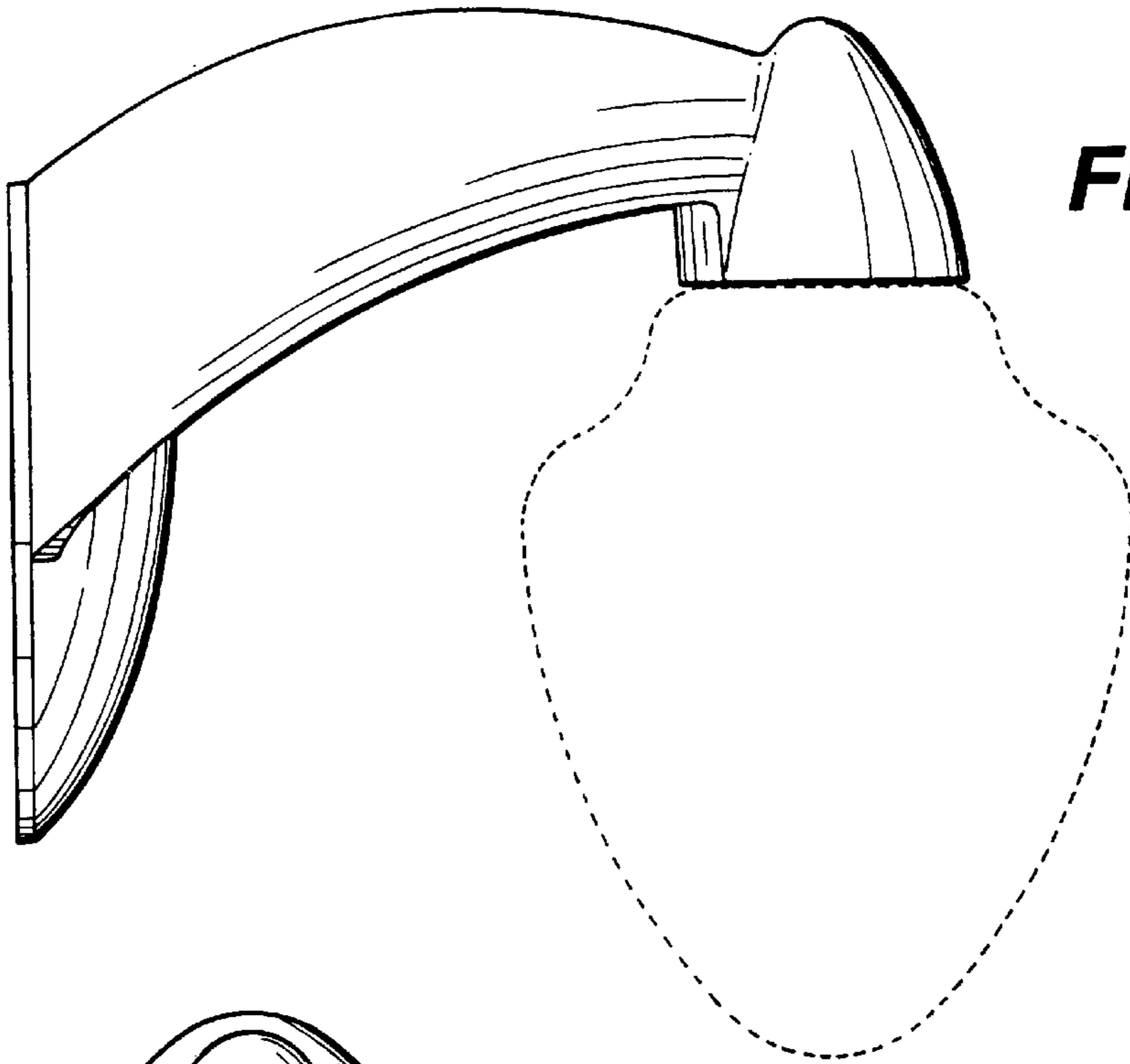


Fig. 2

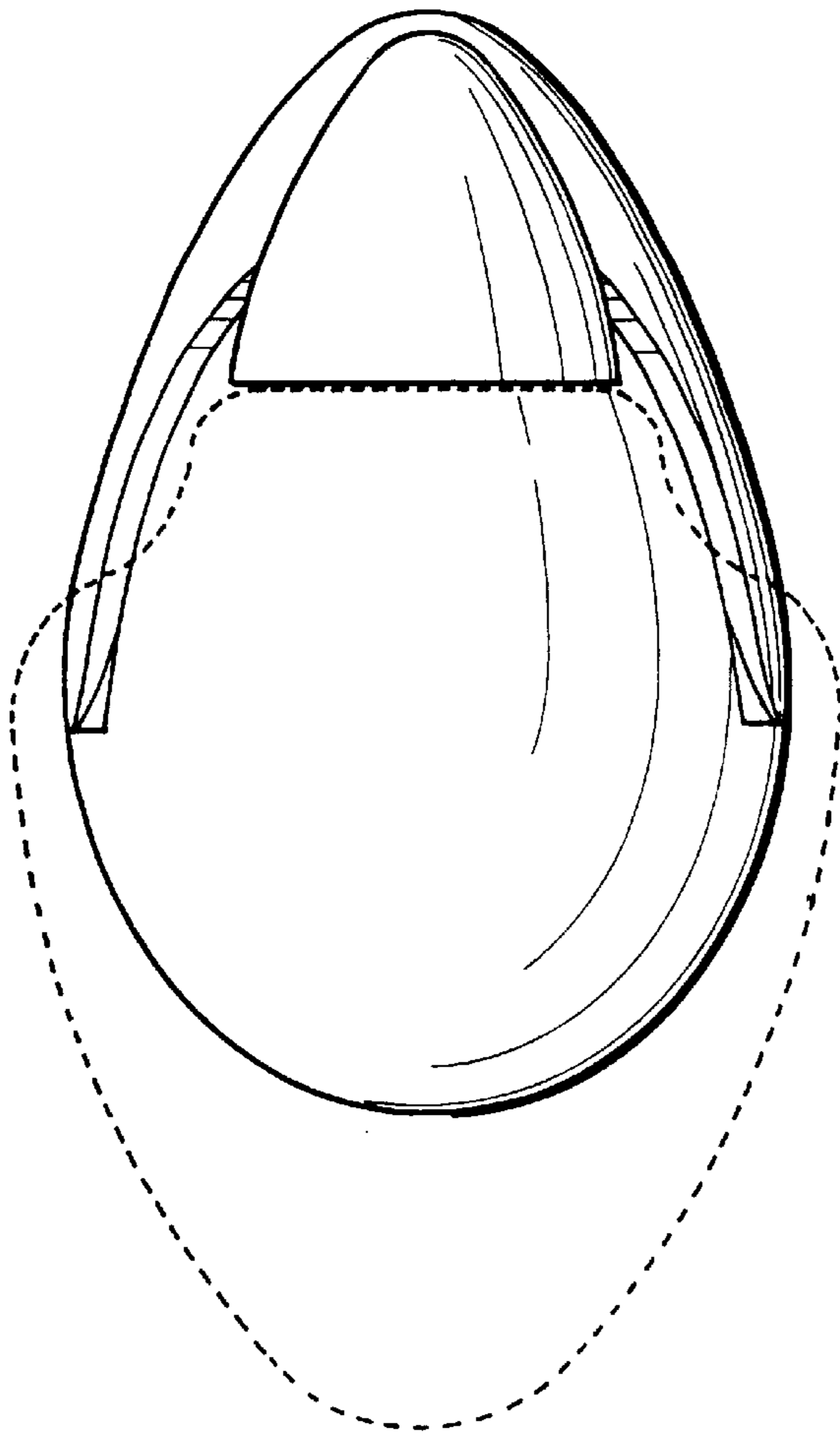


Fig. 3

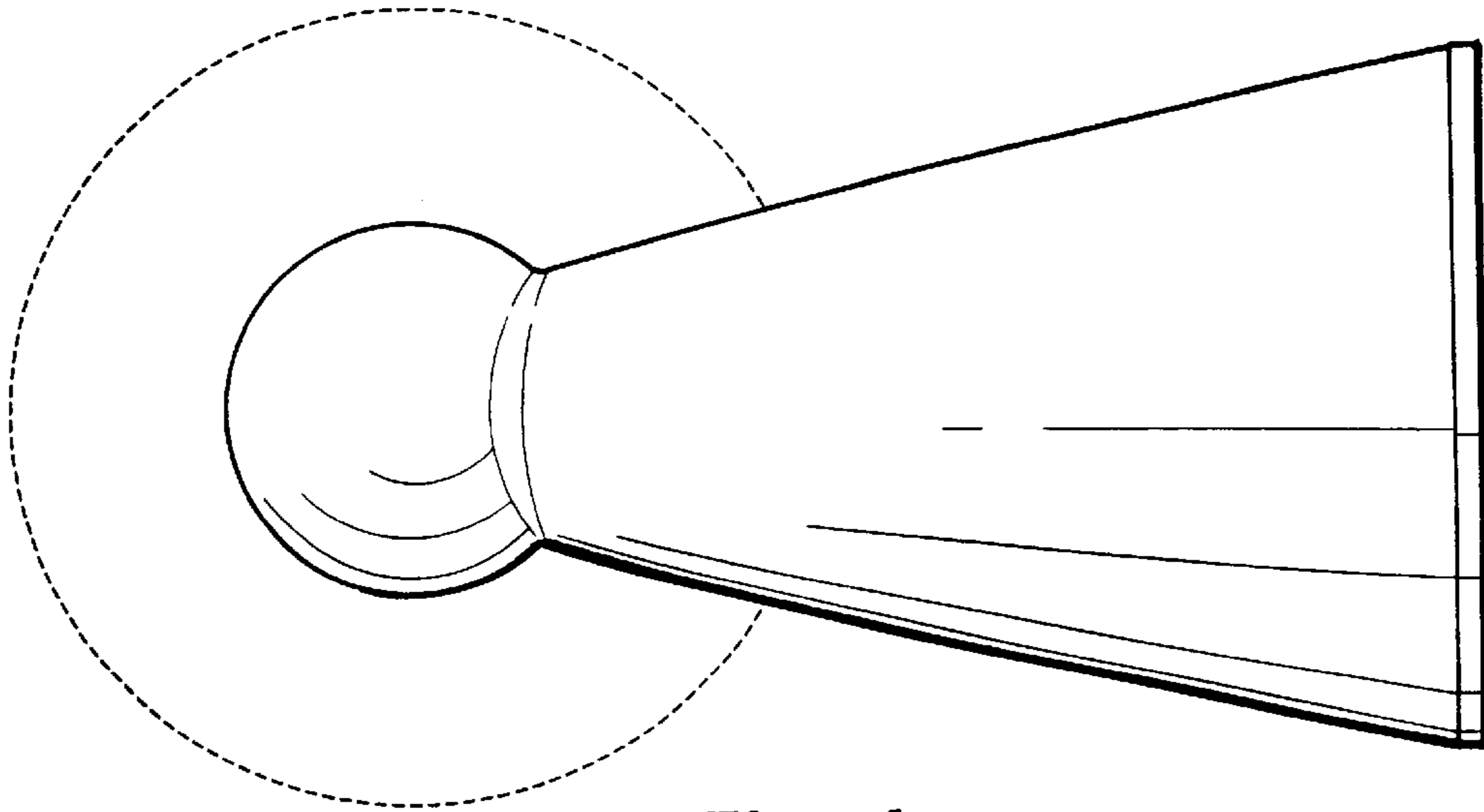


Fig. 4

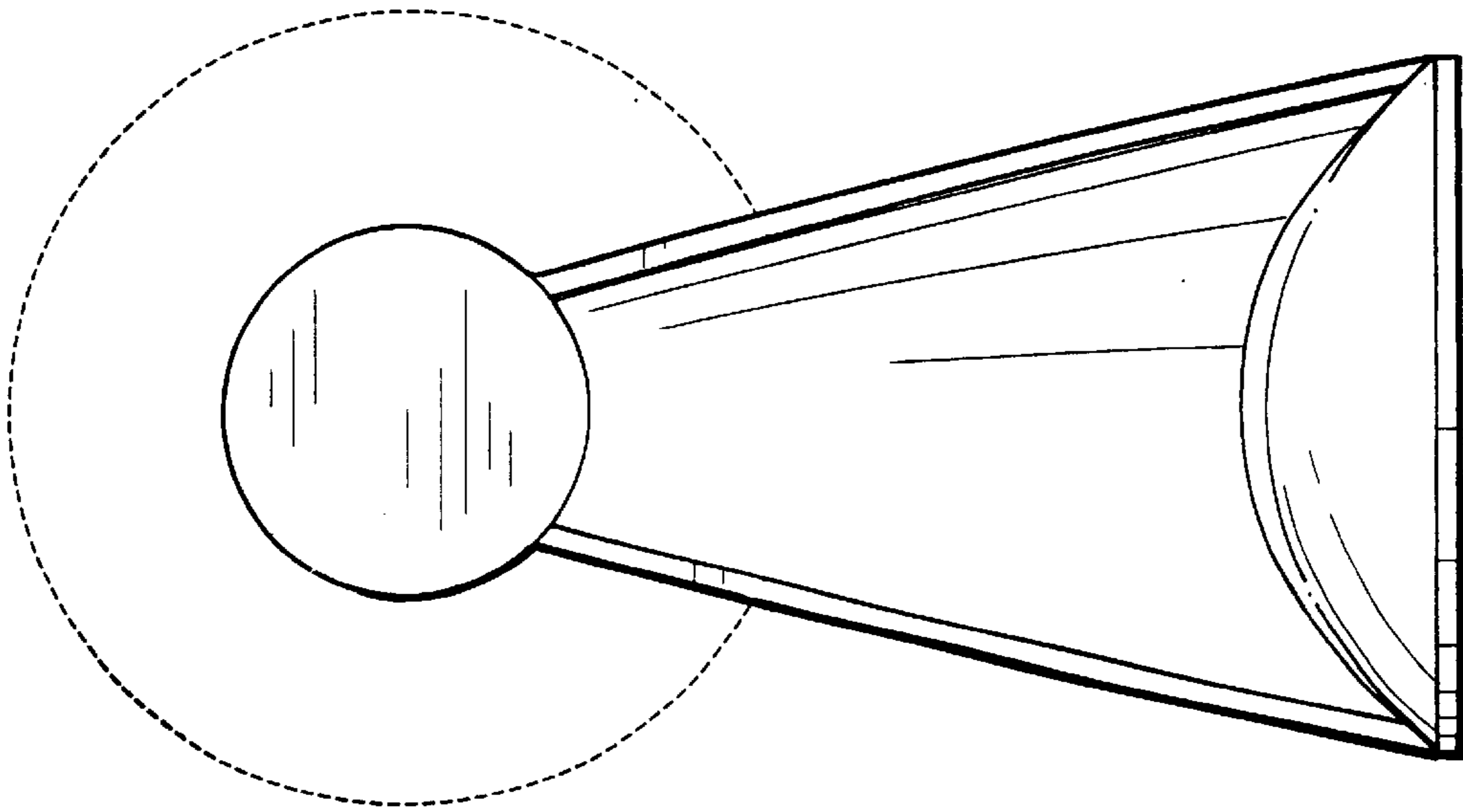


Fig. 5

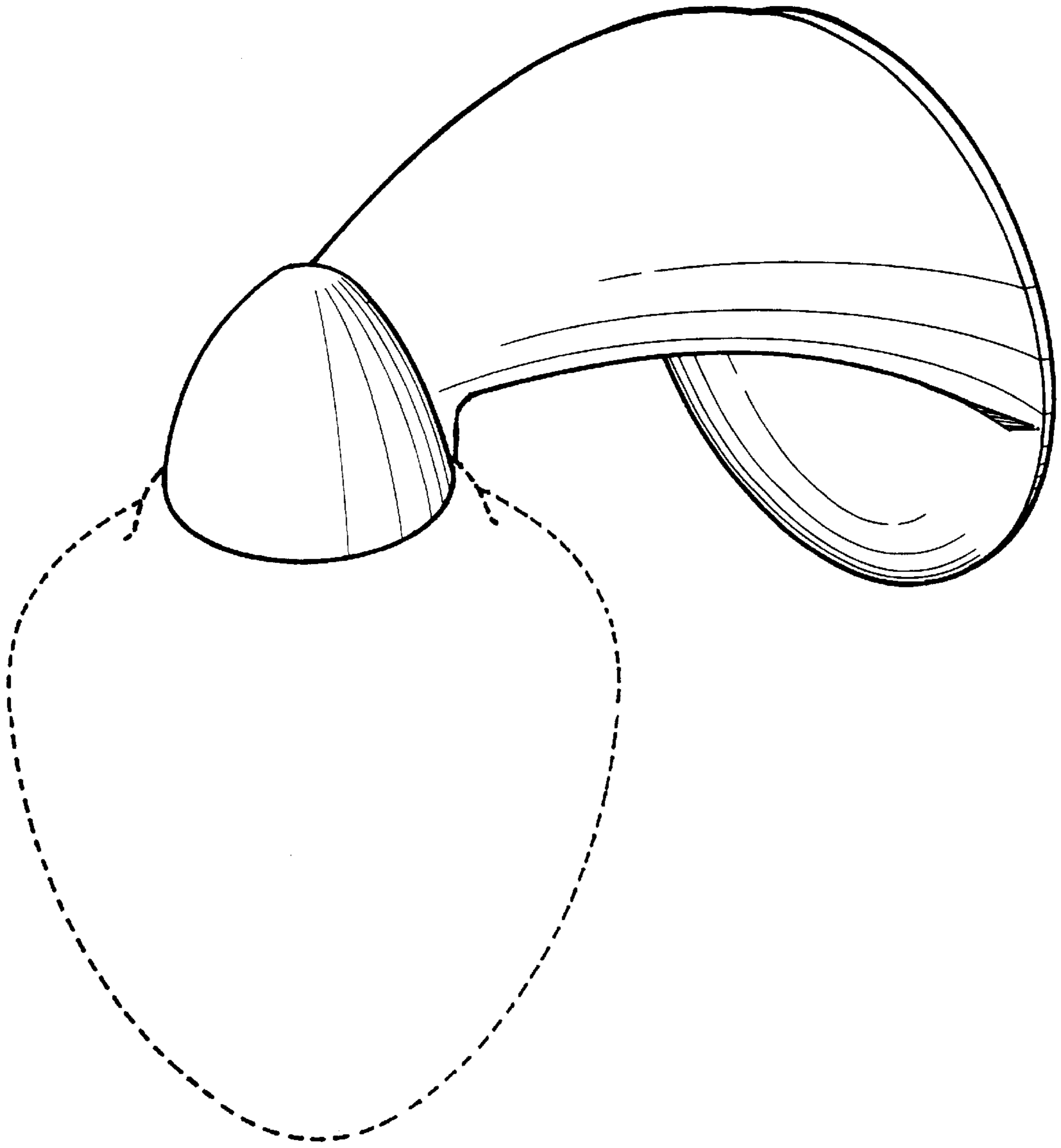


Fig. 6

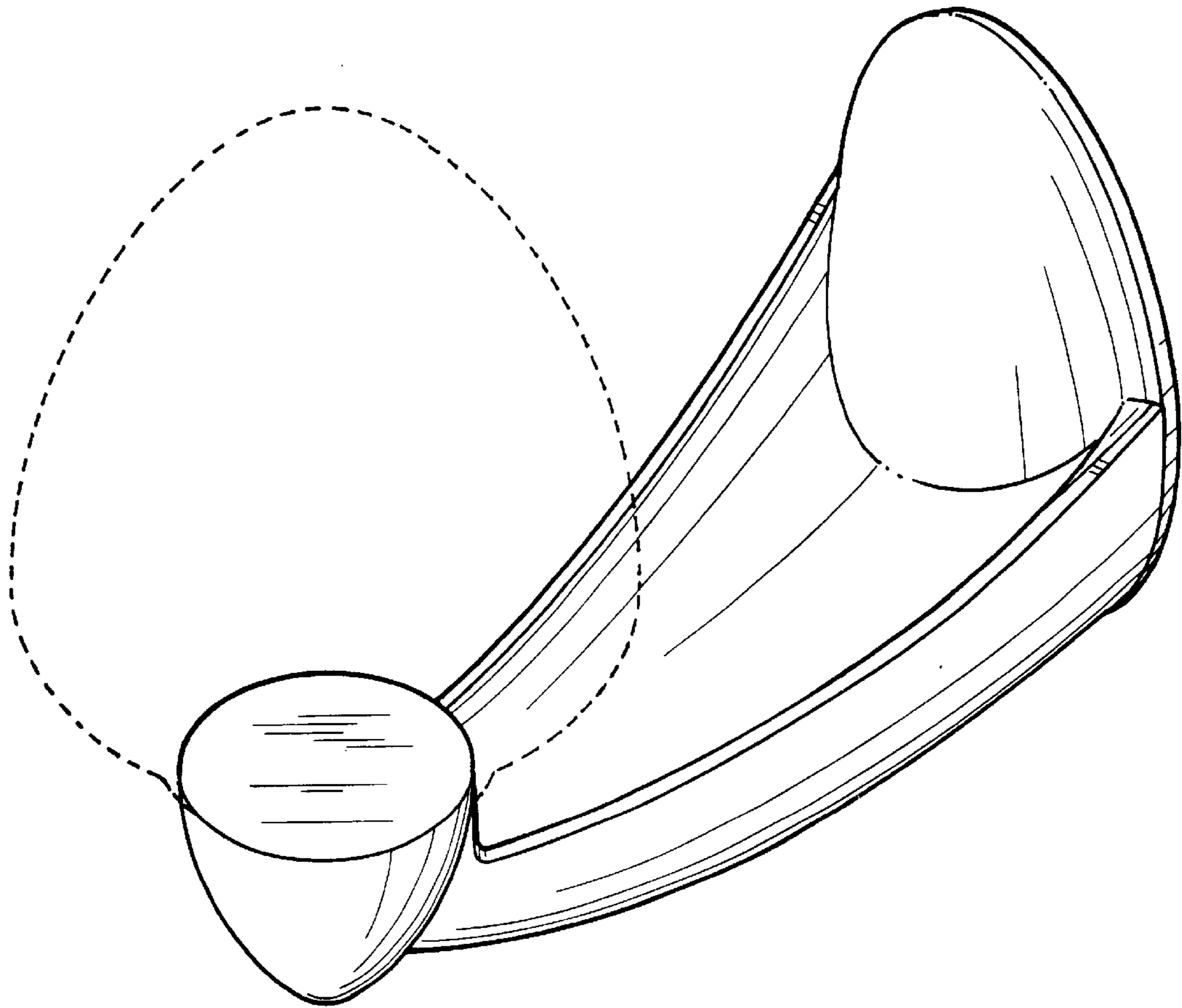


Fig. 7

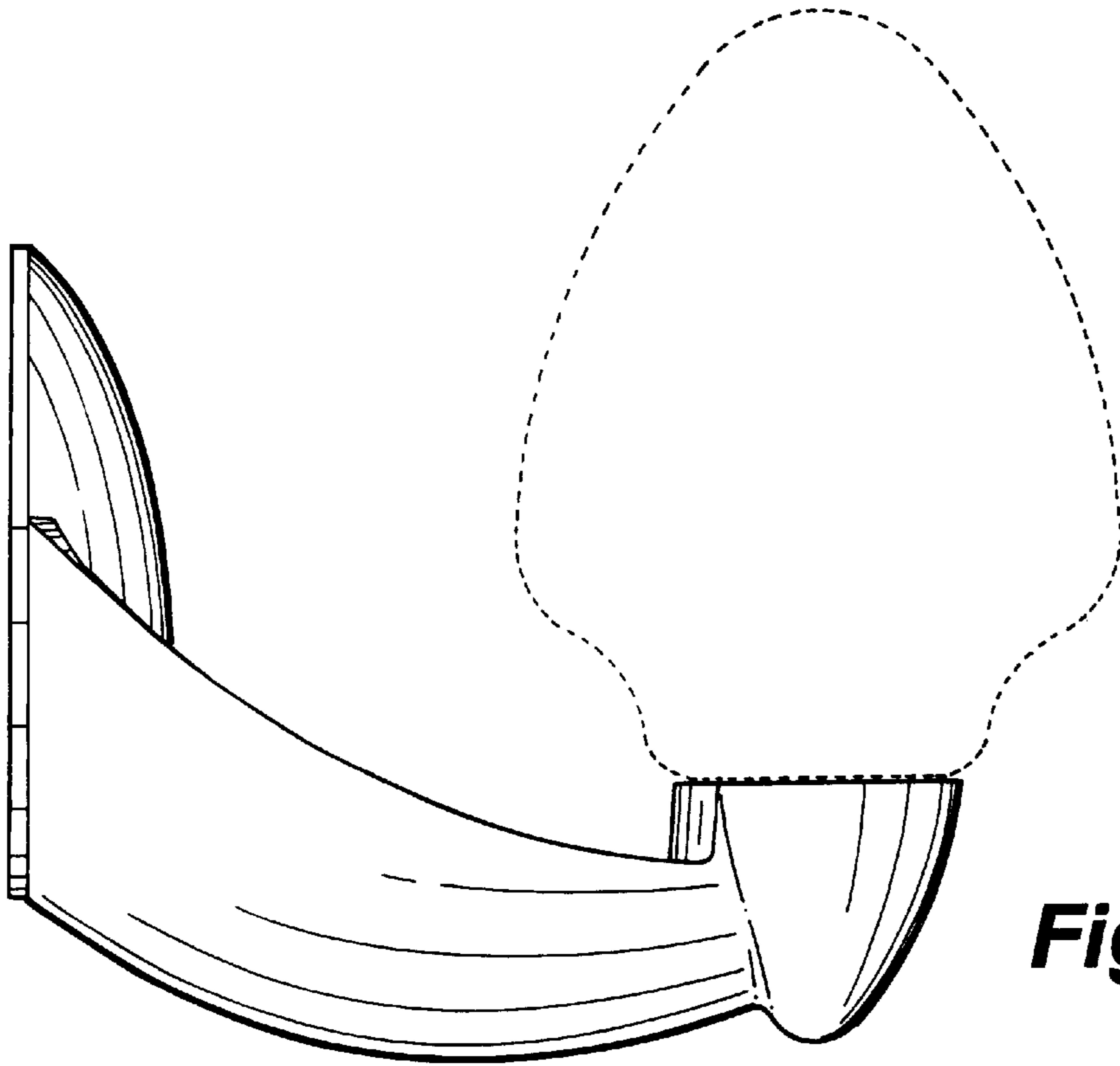


Fig. 8

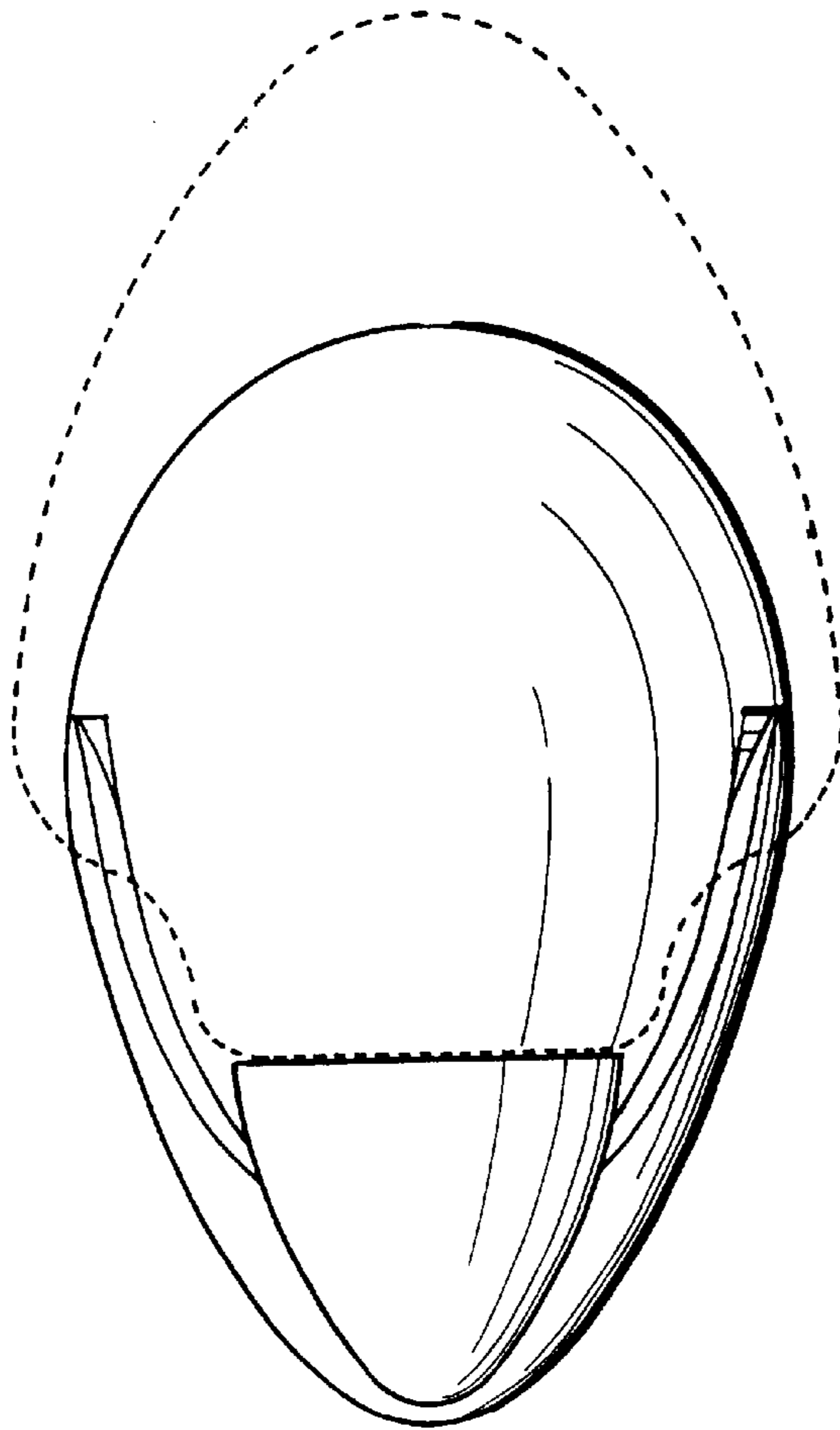


Fig. 9

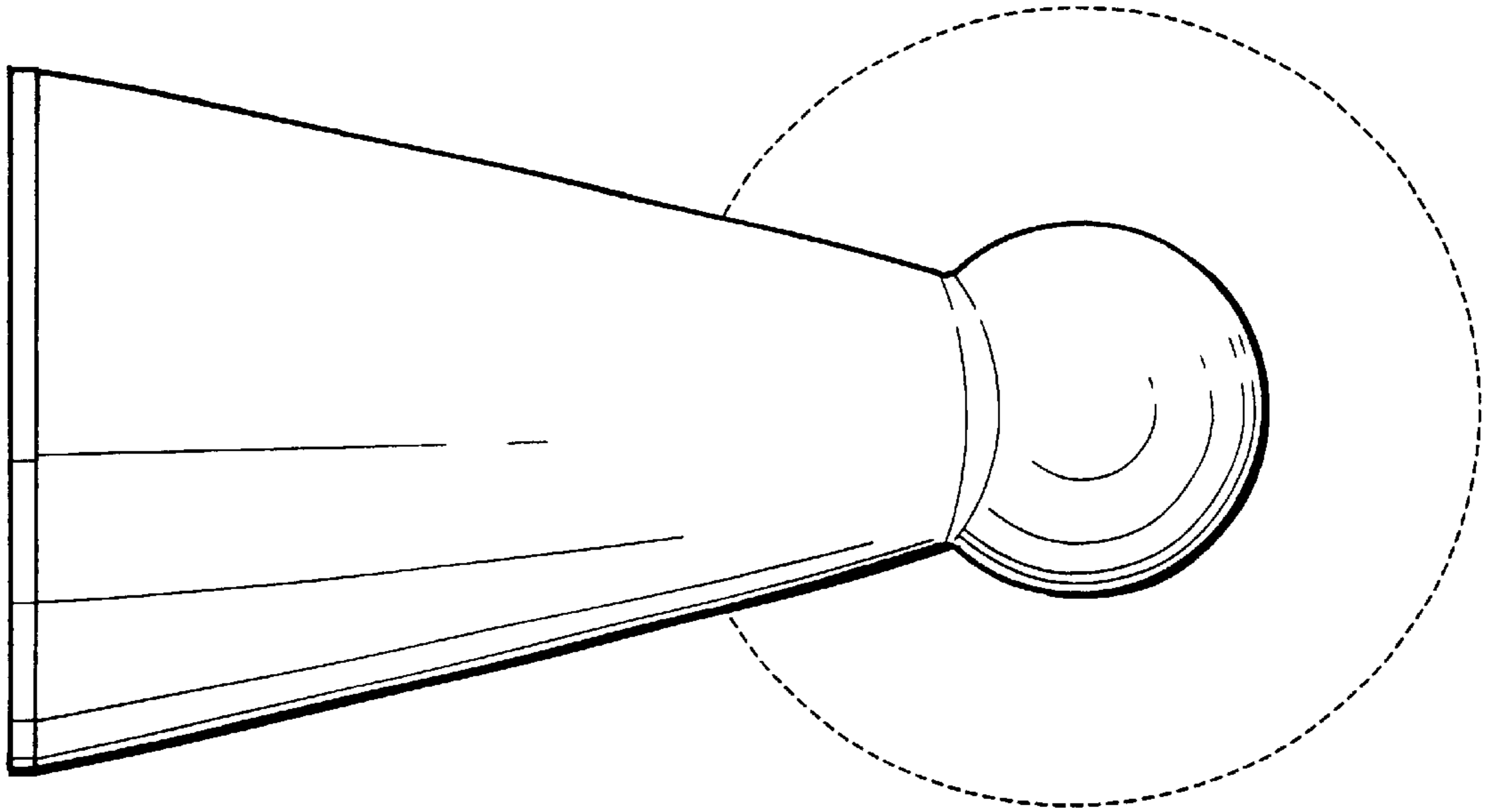


Fig. 10

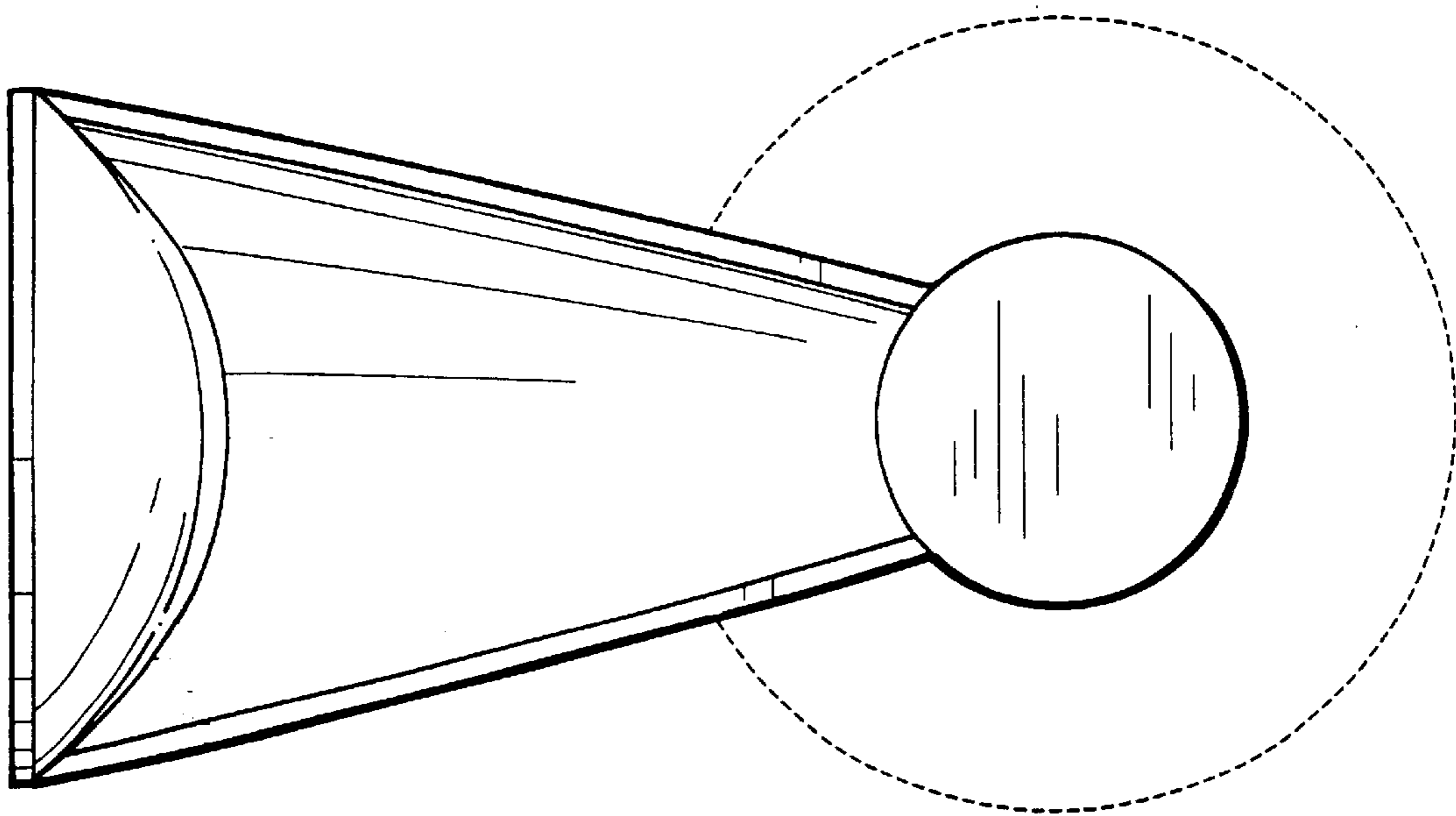


Fig. 11