



US00D479622S

(12) **United States Design Patent**
Huang

(10) **Patent No.:** **US D479,622 S**

(45) **Date of Patent:** **** Sep. 9, 2003**

(54) **LAMP SHADE**

(75) Inventor: **Huo-Tu Huang**, Taipei (TW)

(73) Assignee: **Huangslite Industrial Co., Ltd.**, Taipei Hsien (TW)

(**) Term: **14 Years**

(21) Appl. No.: **29/174,246**

(22) Filed: **Jan. 15, 2003**

(51) **LOC (7) Cl.** **26-99**

(52) **U.S. Cl.** **D26/118**

(58) **Field of Search** D26/63, 113, 118-137;
362/418, 419, 427, 355, 356, 359, 360,
362, 363

(56) **References Cited**

U.S. PATENT DOCUMENTS

D369,431 S * 4/1996 Muellenmeister D26/118
D439,691 S * 3/2001 Huang D26/60
6,270,238 B1 * 8/2001 Mendelsohn et al. 362/427

OTHER PUBLICATIONS

1336 Computer Lamp, Taiwan Lighting, Aug. 1997, p. 216.*
LTS213 LTS Lamps, Taiwan Lighting, Aug. 2001, p. 69.*

* cited by examiner

Primary Examiner—Jennifer Rivard

(74) *Attorney, Agent, or Firm*—Bacon & Thomas, PLLC

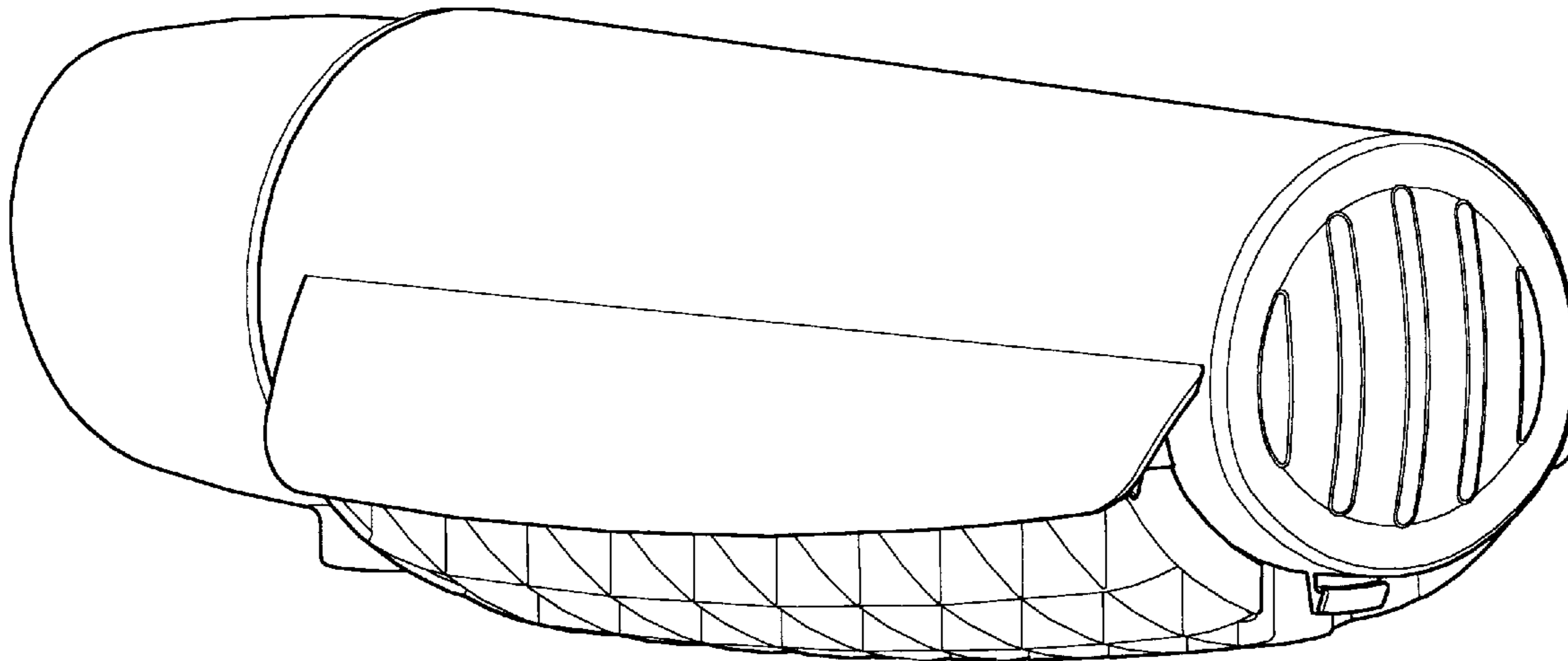
(57) **CLAIM**

The ornamental design for lamp shade, as shown and described.

DESCRIPTION

FIG. 1. is a top, front right side perspective view thereof;
FIG. 2. is a front elevational view thereof;
FIG. 3. is a rear elevational view thereof;
FIG. 4. is a left plan view thereof;
FIG. 5. is a right plan view thereof;
FIG. 6. is a top plan view thereof; and,
FIG. 7. is a bottom plan view thereof.

1 Claim, 6 Drawing Sheets



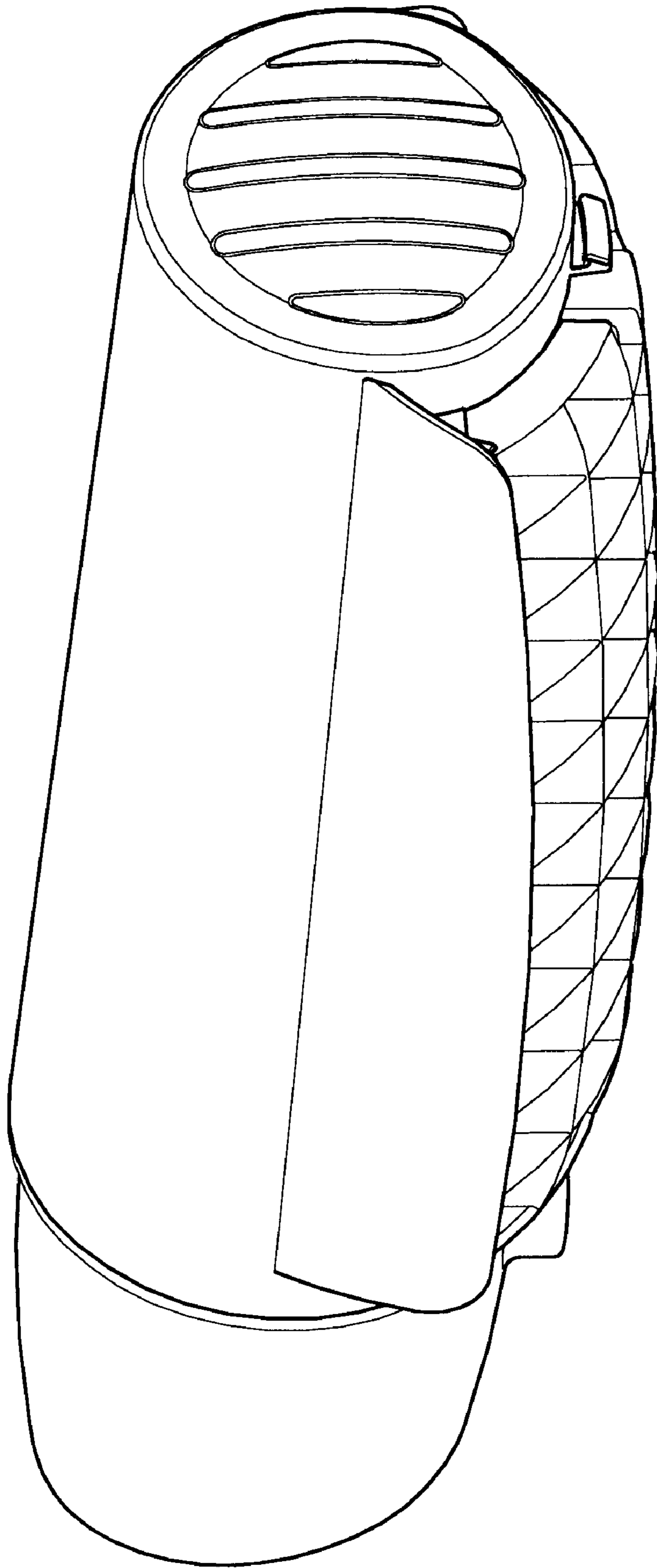


FIG. 1

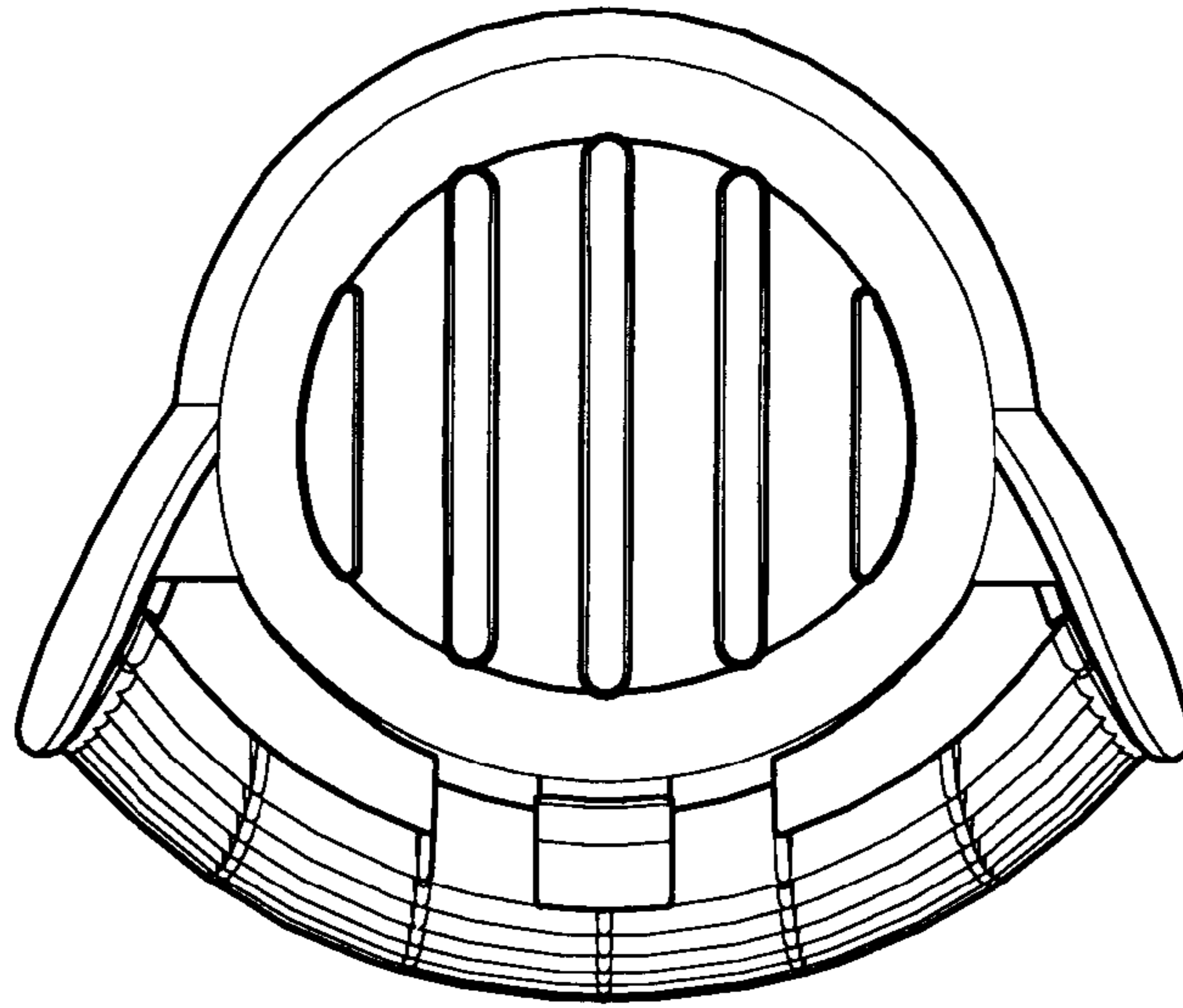


FIG. 2

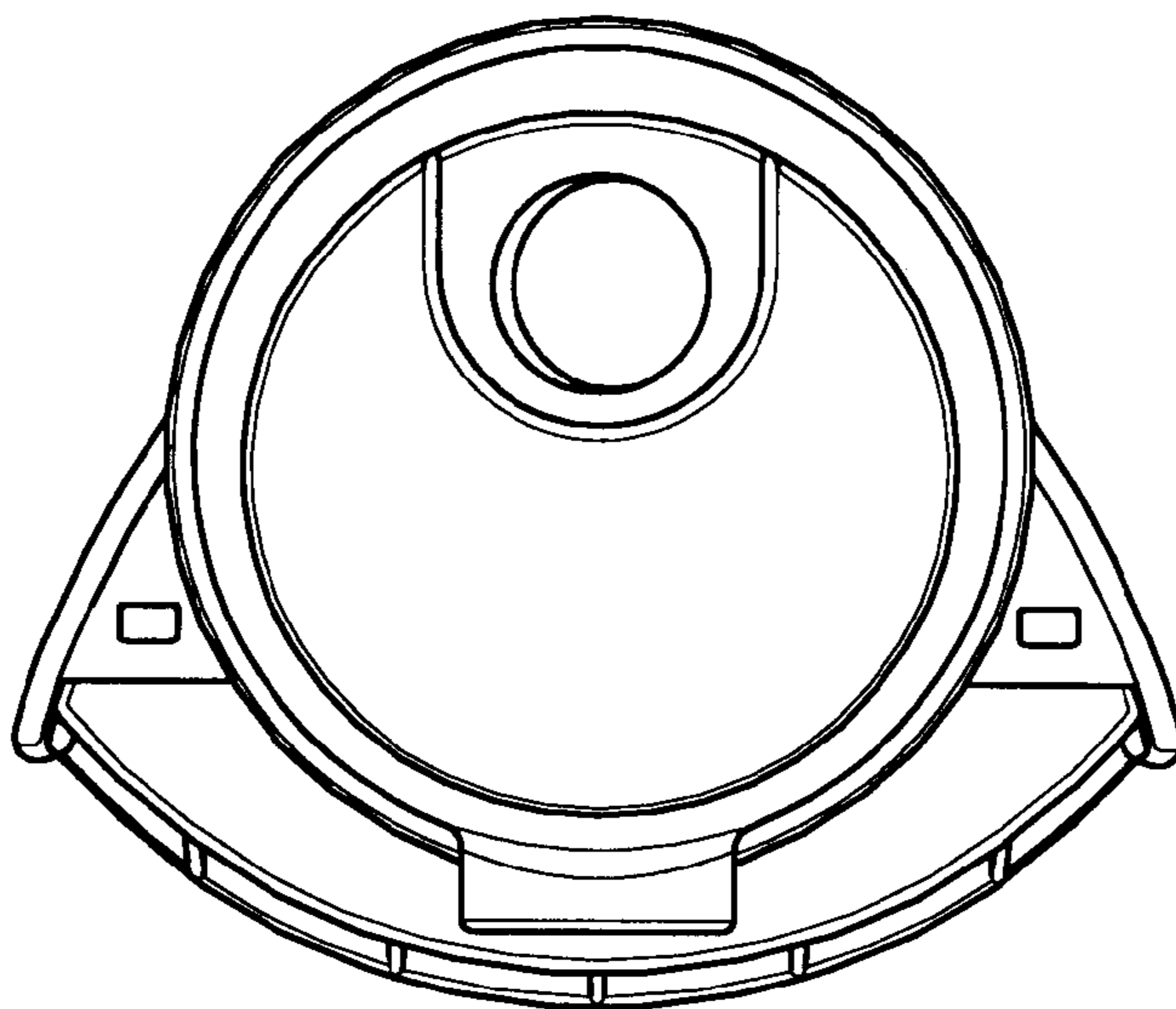


FIG. 3

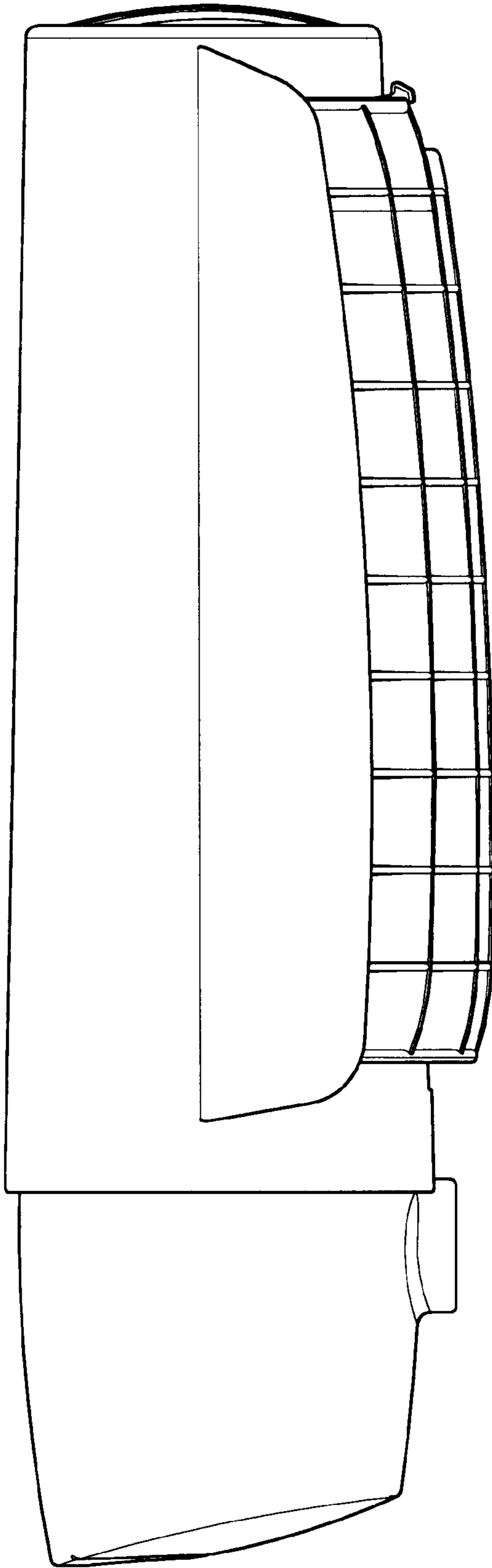


FIG. 4

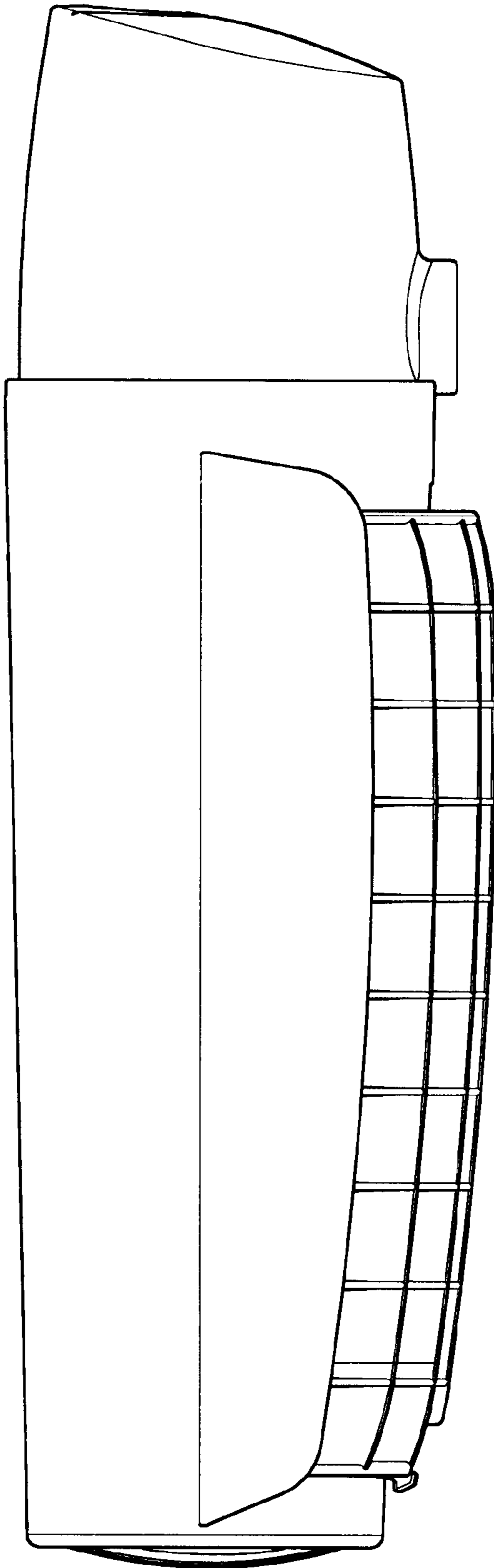


FIG. 5

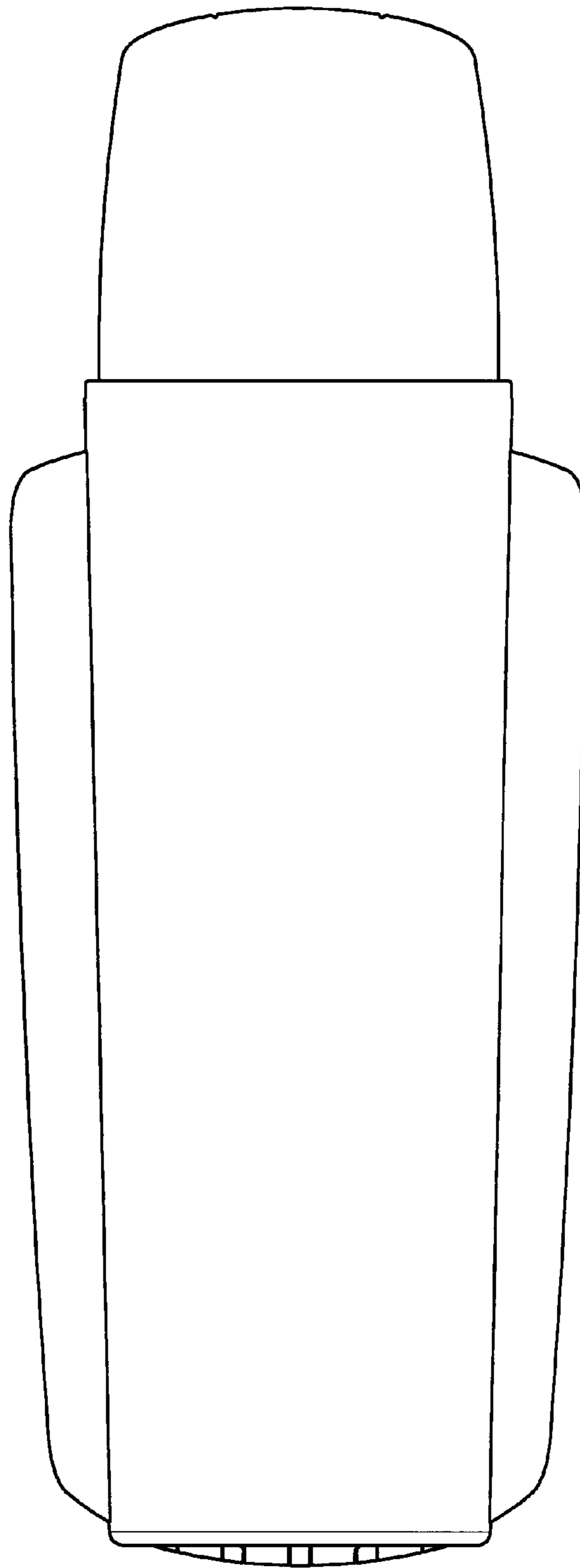


FIG. 6

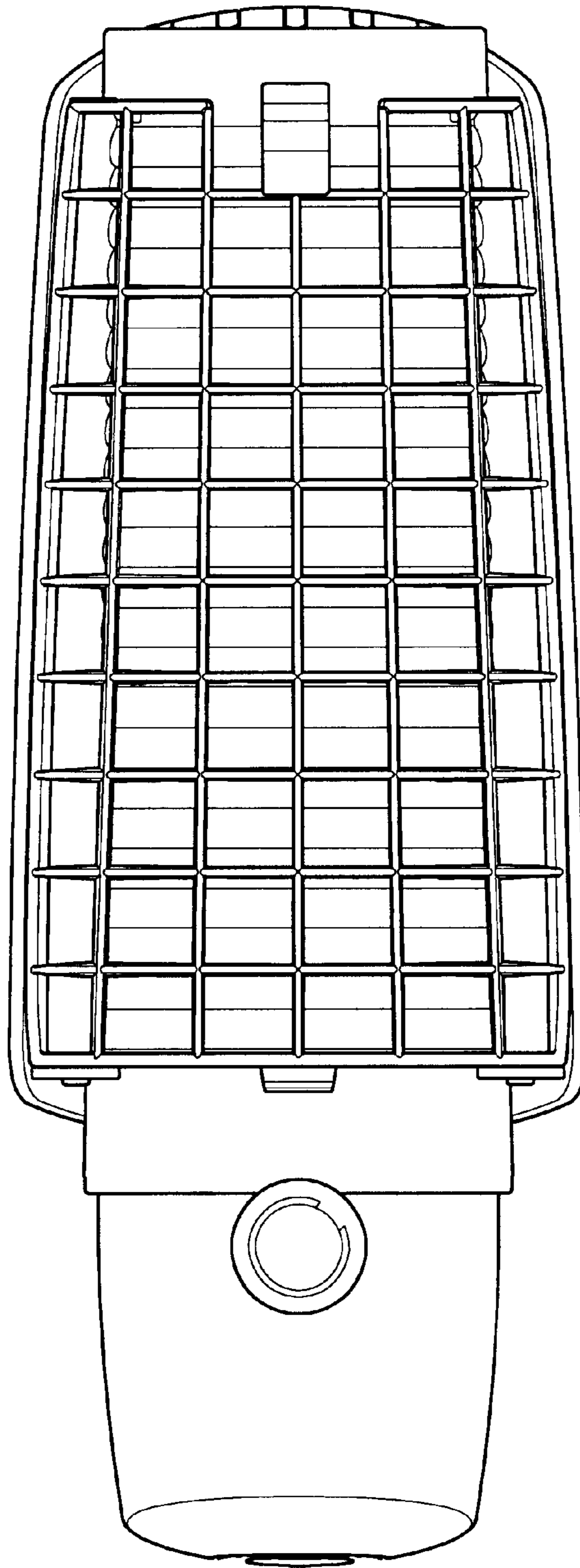


FIG. 7