



US00D479616S

(12) **United States Design Patent**
Kakuno et al.

(10) **Patent No.:** **US D479,616 S**
(45) **Date of Patent:** **** Sep. 9, 2003**

(54) **FLUORESCENT LAMP**

D437,946 S 2/2001 Choi
D448,501 S * 9/2001 Choi D26/3
D448,502 S 9/2001 Choi

(75) Inventors: **Yoshinori Kakuno**, Osaka (JP); **Shirou Iida**, Kyoto (JP); **Akiko Nakanishi**, Osaka (JP)

* cited by examiner

(73) Assignee: **Matsushita Electric Industrial Co., Ltd.**, Osaka (JP)

Primary Examiner—Marcus A. Jackson
(74) *Attorney, Agent, or Firm*—Christensen O'Connor Johnson Kindness PLLC

(**) Term: **14 Years**

(57) **CLAIM**

(21) Appl. No.: **29/170,715**

The ornamental design for a fluorescent lamp, as shown and described.

(22) Filed: **Nov. 8, 2002**

(30) **Foreign Application Priority Data**

DESCRIPTION

May 10, 2002 (JP) 2002-012467

FIG. 1 is a perspective view of the top, front and right side of a fluorescent lamp showing our new design;
FIG. 2 is a front view thereof;
FIG. 3 is a rear view thereof;
FIG. 4 is a left side view thereof;
FIG. 5 is a right side view thereof;
FIG. 6 is a top plan view thereof; and,
FIG. 7 is a bottom view thereof.

(51) **LOC (7) Cl.** **26-06**

(52) **U.S. Cl.** **D26/3**

(58) **Field of Search** D26/1, 2, 3, 4,
D26/26; 313/313, 315, 317, 318, 493; 315/52,
53, 56, 57, 58; 362/216, 222, 310

(56) **References Cited**

U.S. PATENT DOCUMENTS

D414,282 S * 9/1999 Kato et al. D26/3

1 Claim, 4 Drawing Sheets

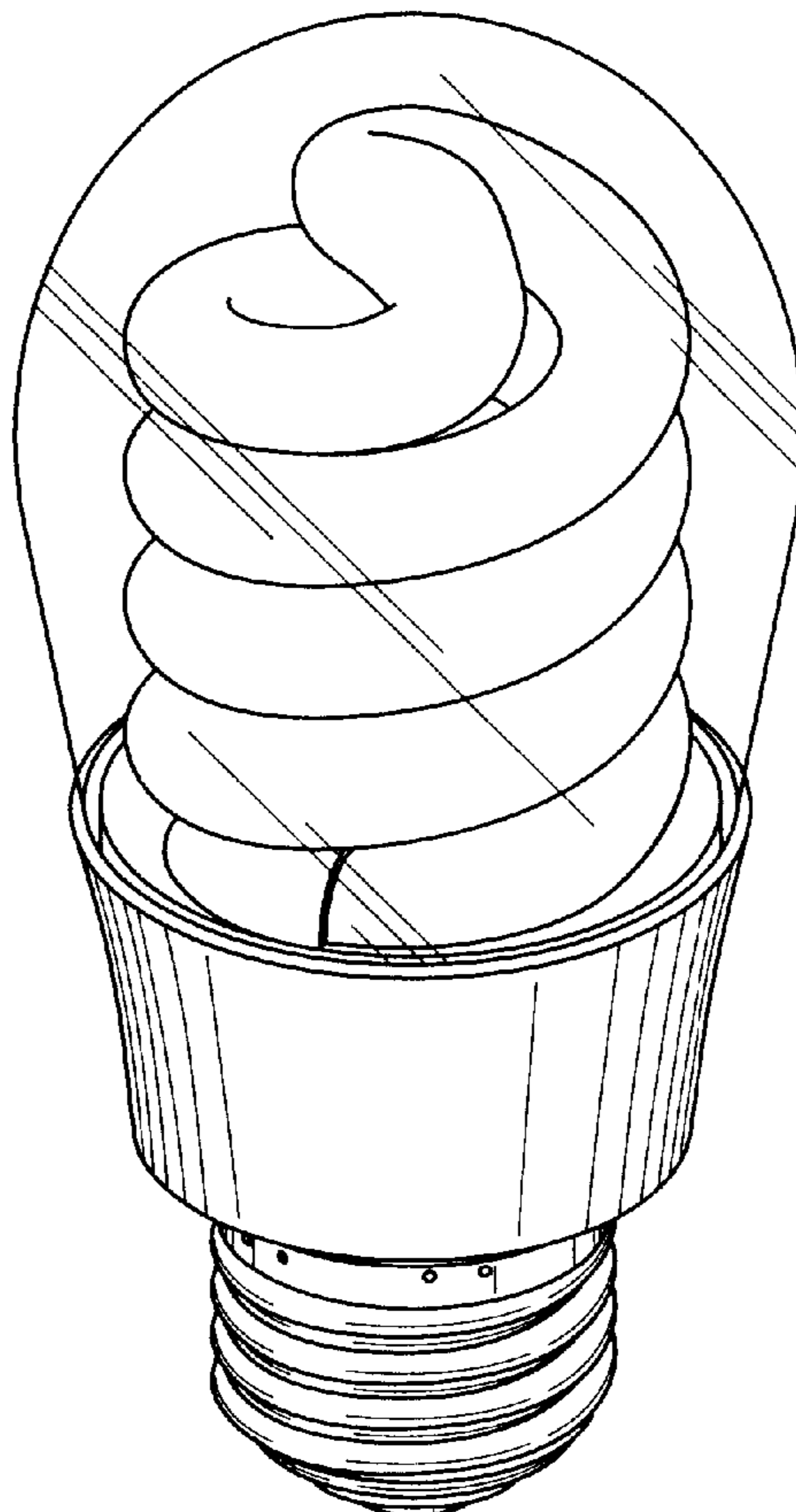


FIG. 1

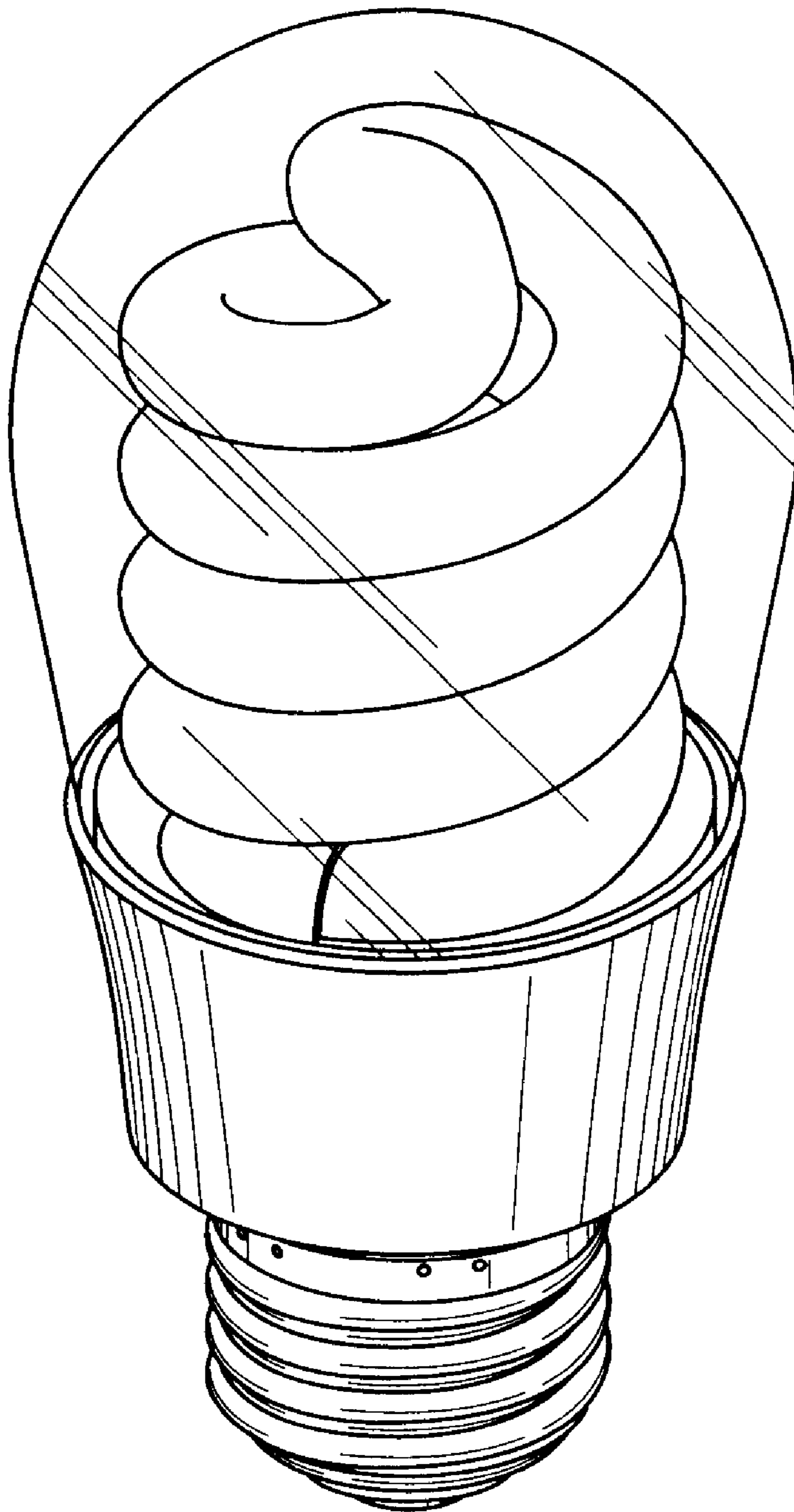


FIG. 2

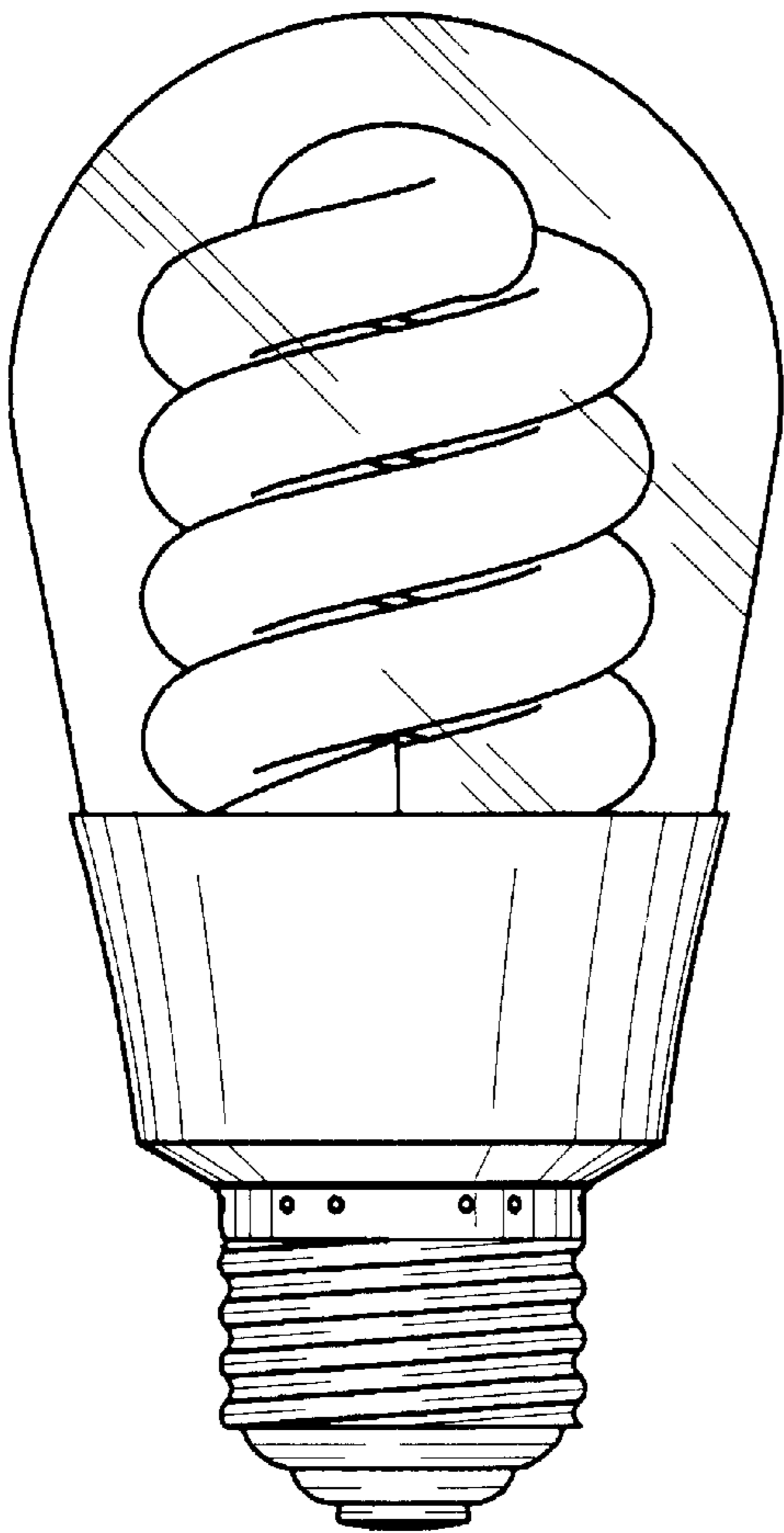


FIG. 3

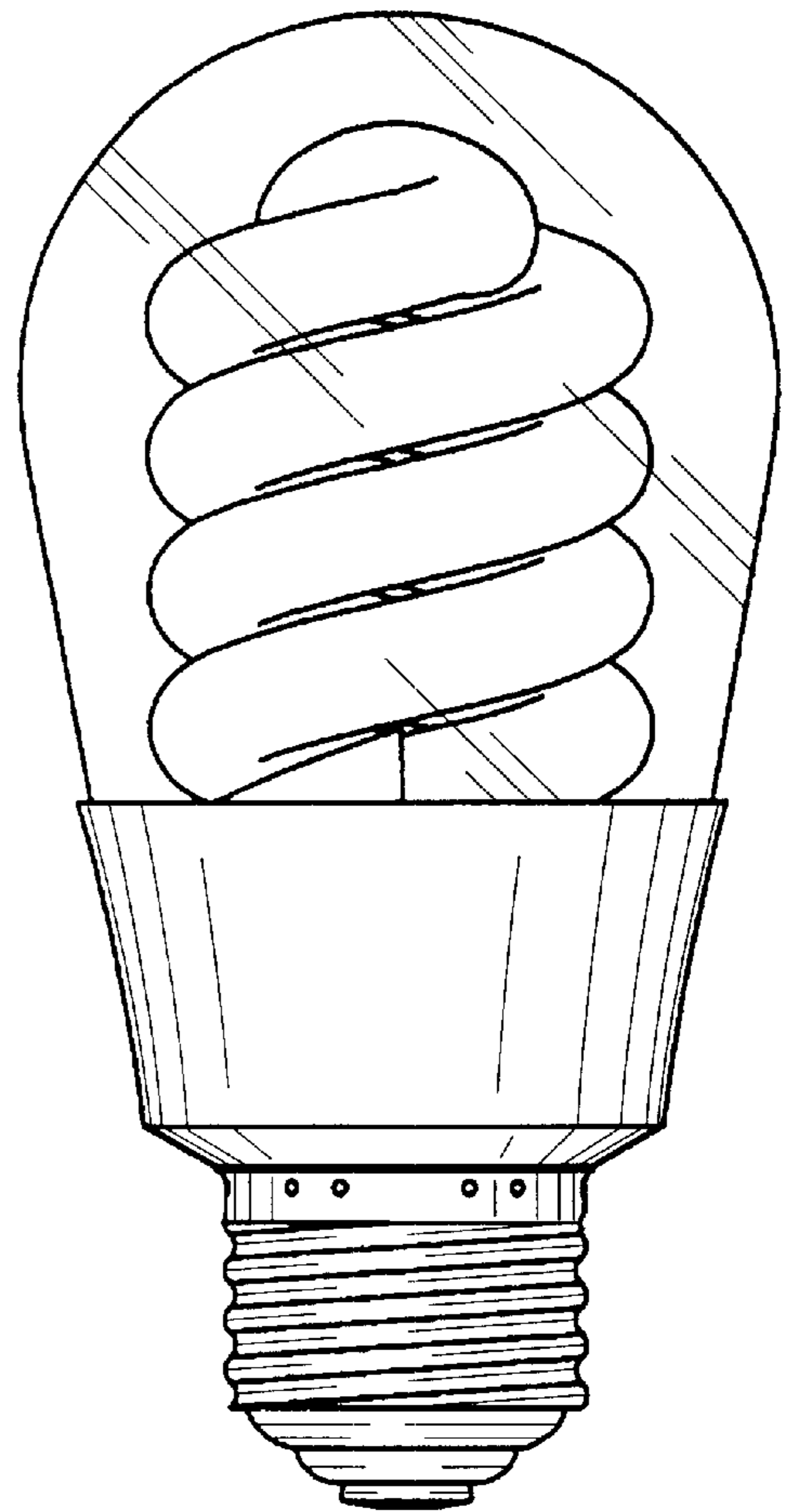


FIG. 4

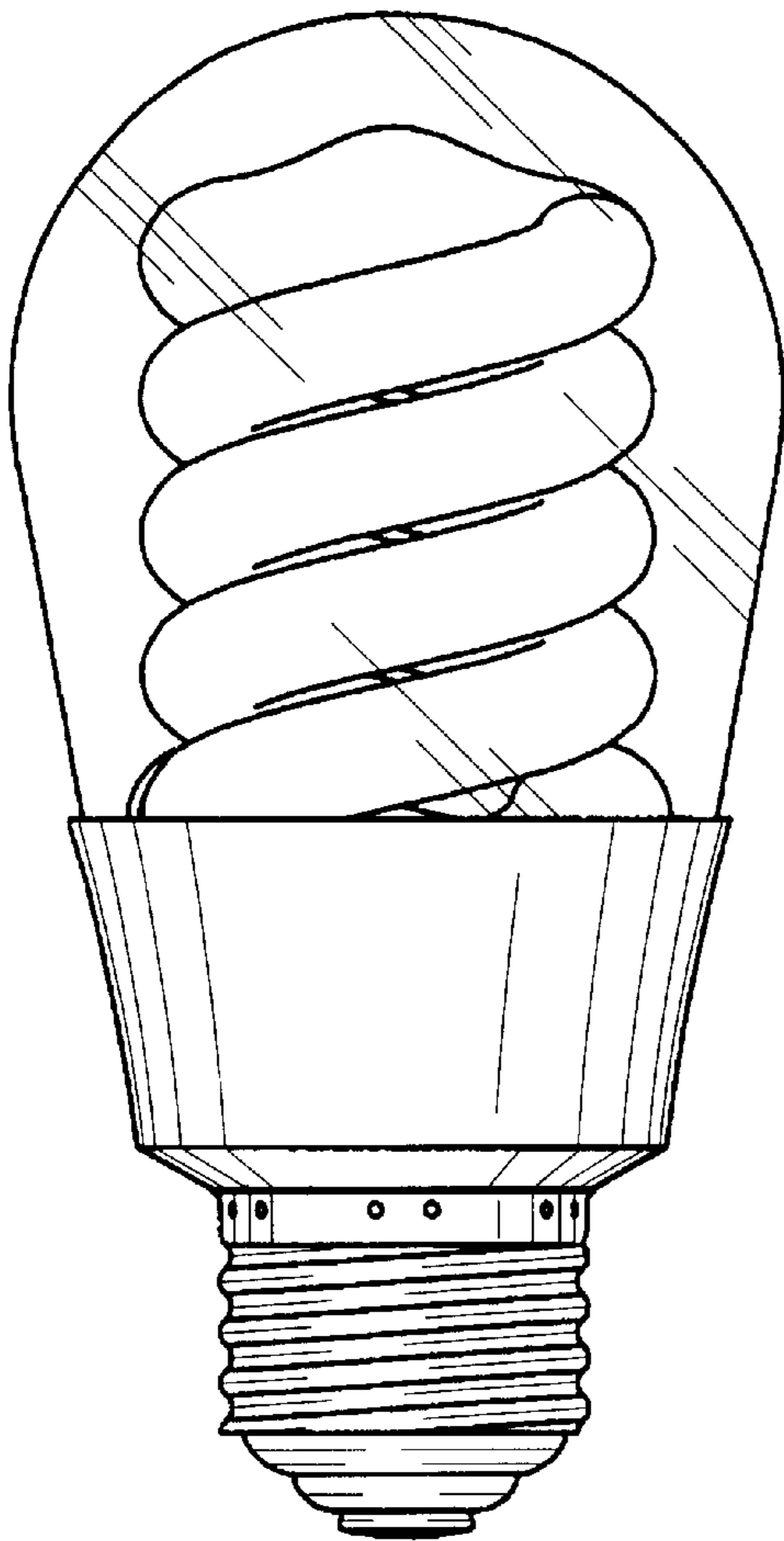


FIG. 5

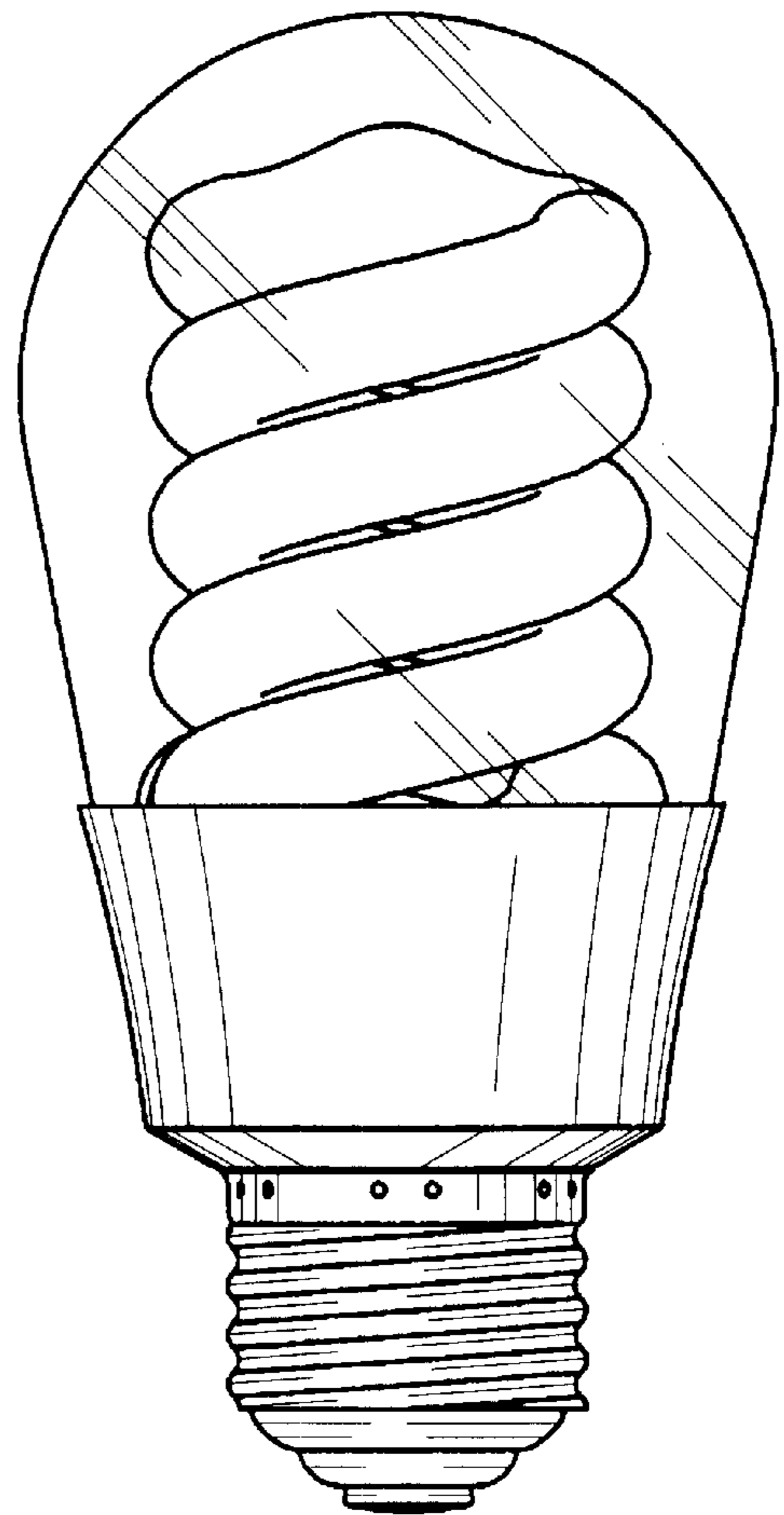


FIG. 6

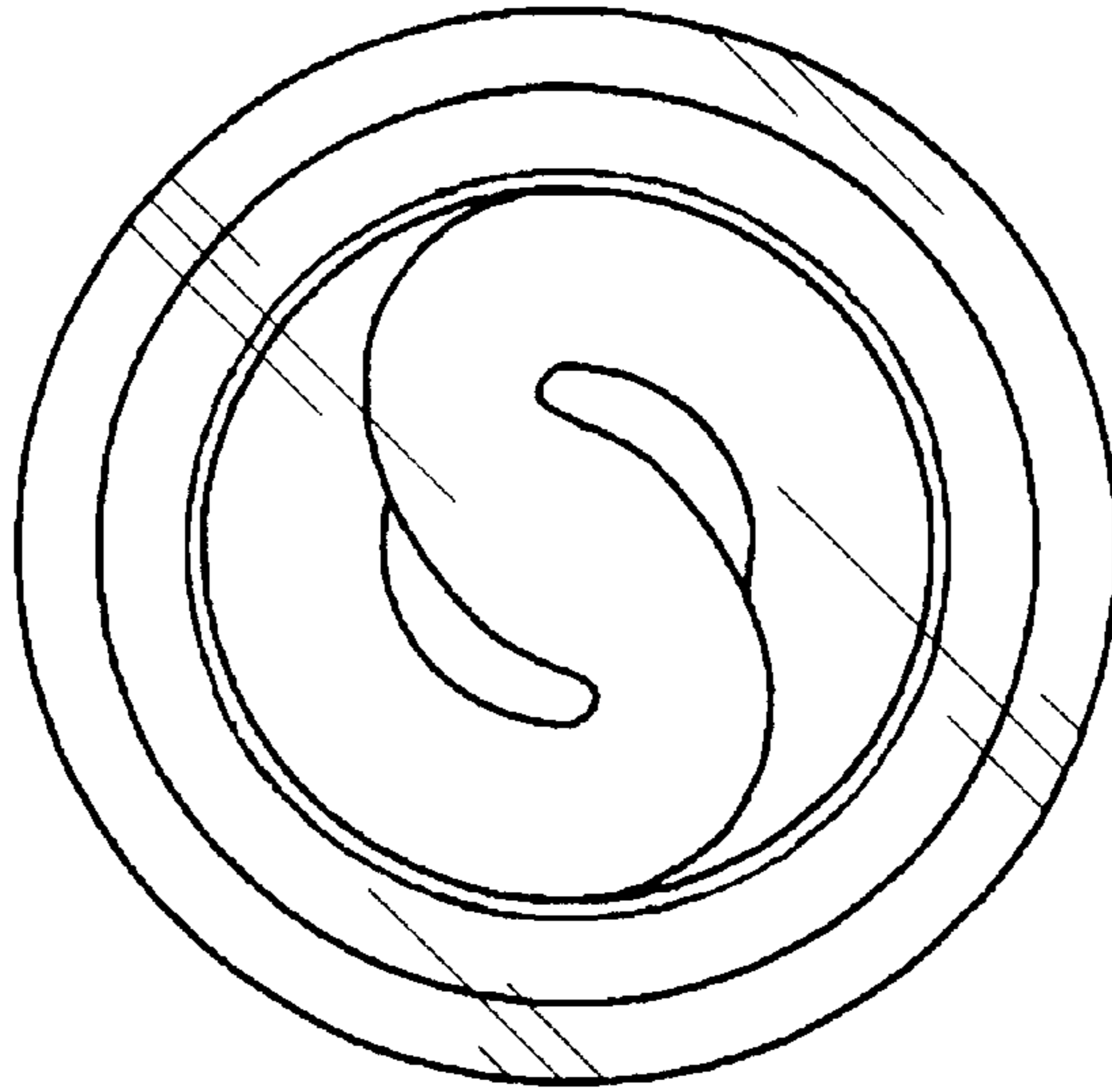


FIG. 7

