



US00D479615S

(12) **United States Design Patent**  
**Kakuno et al.**

(10) **Patent No.:** **US D479,615 S**  
(45) **Date of Patent:** **\*\* Sep. 9, 2003**

(54) **FLUORESCENT LAMP**

D420,155 S 2/2000 Kato et al.  
D427,695 S \* 7/2000 Ho ..... D26/2  
D471,651 S \* 3/2003 Bobel ..... D26/2

(75) Inventors: **Yoshinori Kakuno**, Osaka (JP); **Shirou Iida**, Kyoto (JP); **Akiko Nakanishi**, Osaka (JP)

\* cited by examiner

(73) Assignee: **Matsushita Electric Industrial Co., Ltd.**

*Primary Examiner*—Marcus A. Jackson  
(74) *Attorney, Agent, or Firm*—Christensen O'Connor Johnson Kindness PLLC

(\*\*) Term: **14 Years**

(57) **CLAIM**

(21) Appl. No.: **29/170,714**

The ornamental design for a fluorescent lamp, as shown and described.

(22) Filed: **Nov. 8, 2002**

(30) **Foreign Application Priority Data**

**DESCRIPTION**

May 10, 2002 (JP) ..... 2002-012427

FIG. 1 is a perspective view of the top, front and right side of a fluorescent lamp showing our new design;  
FIG. 2 is a front view thereof;  
FIG. 3 is a rear view thereof;  
FIG. 4 is a left side view thereof;  
FIG. 5 is a right side view thereof;  
FIG. 6 is a top plan view thereof; and,  
FIG. 7 is a bottom view thereof.

(51) **LOC (7) Cl.** ..... **26-06**

(52) **U.S. Cl.** ..... **D26/2**

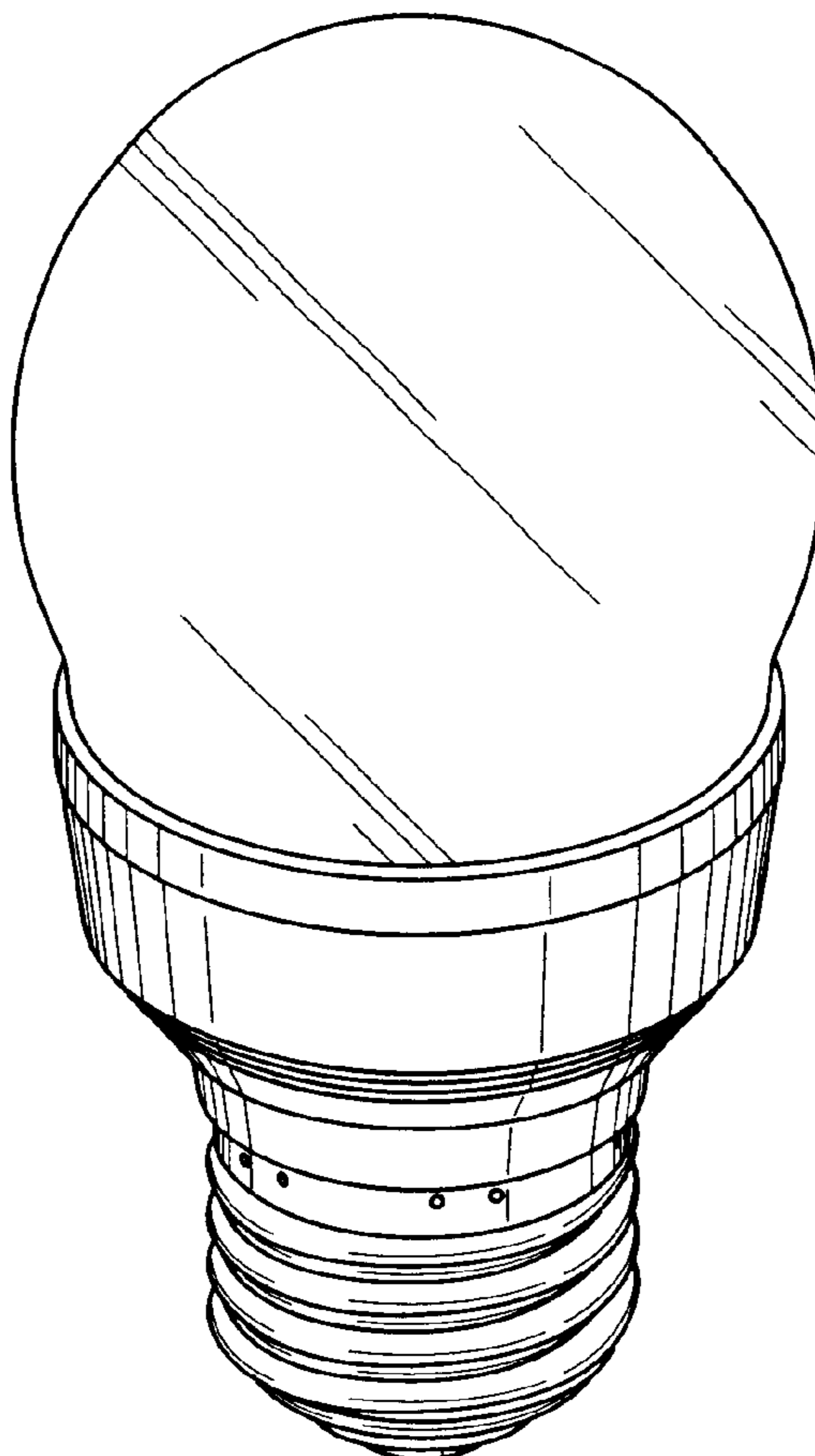
(58) **Field of Search** ..... D26/1, 2, 3, 4;  
313/313, 315, 318, 493; 315/52, 53, 56,  
57

(56) **References Cited**

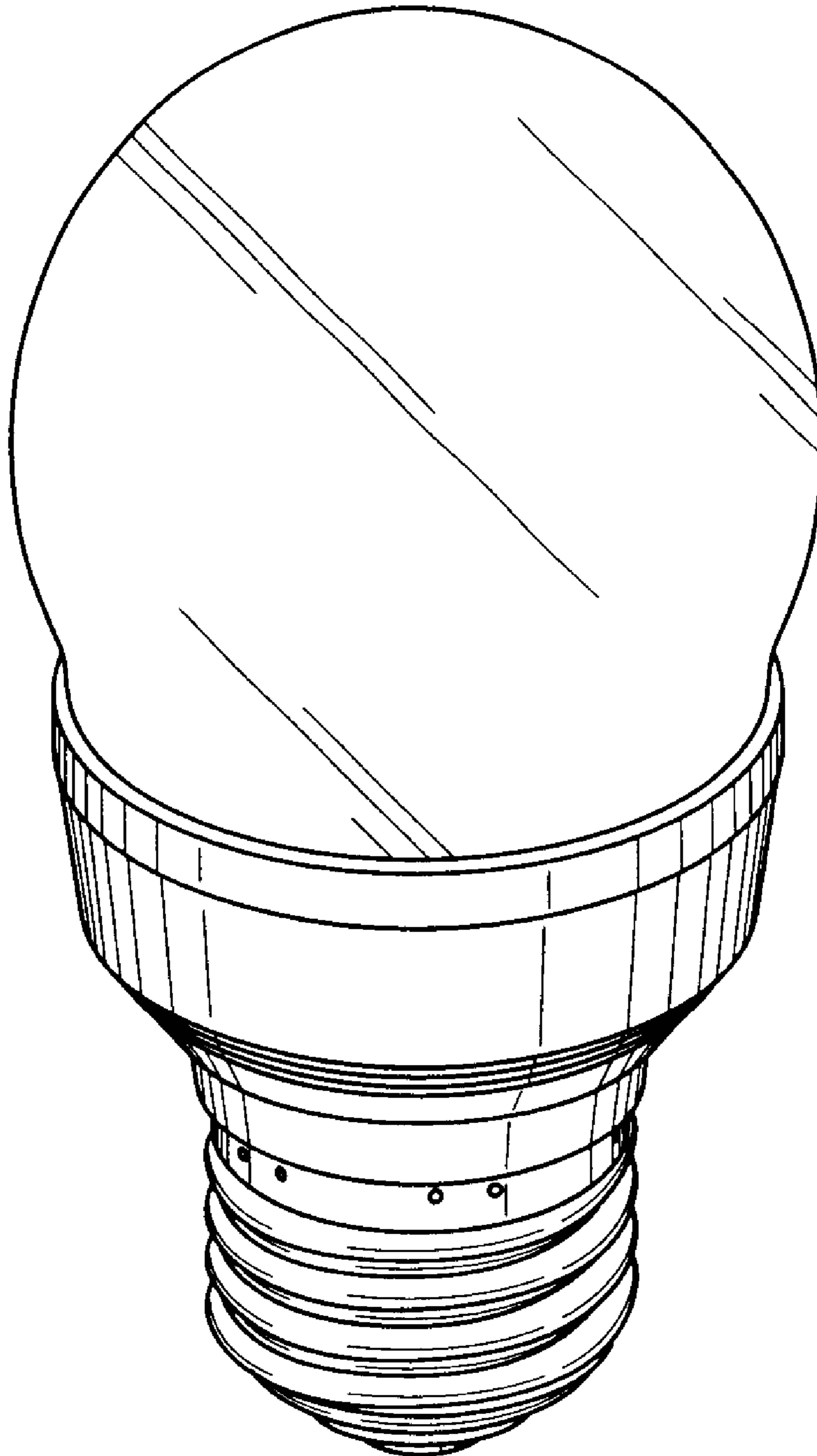
**U.S. PATENT DOCUMENTS**

D415,293 S 10/1999 Kato et al.

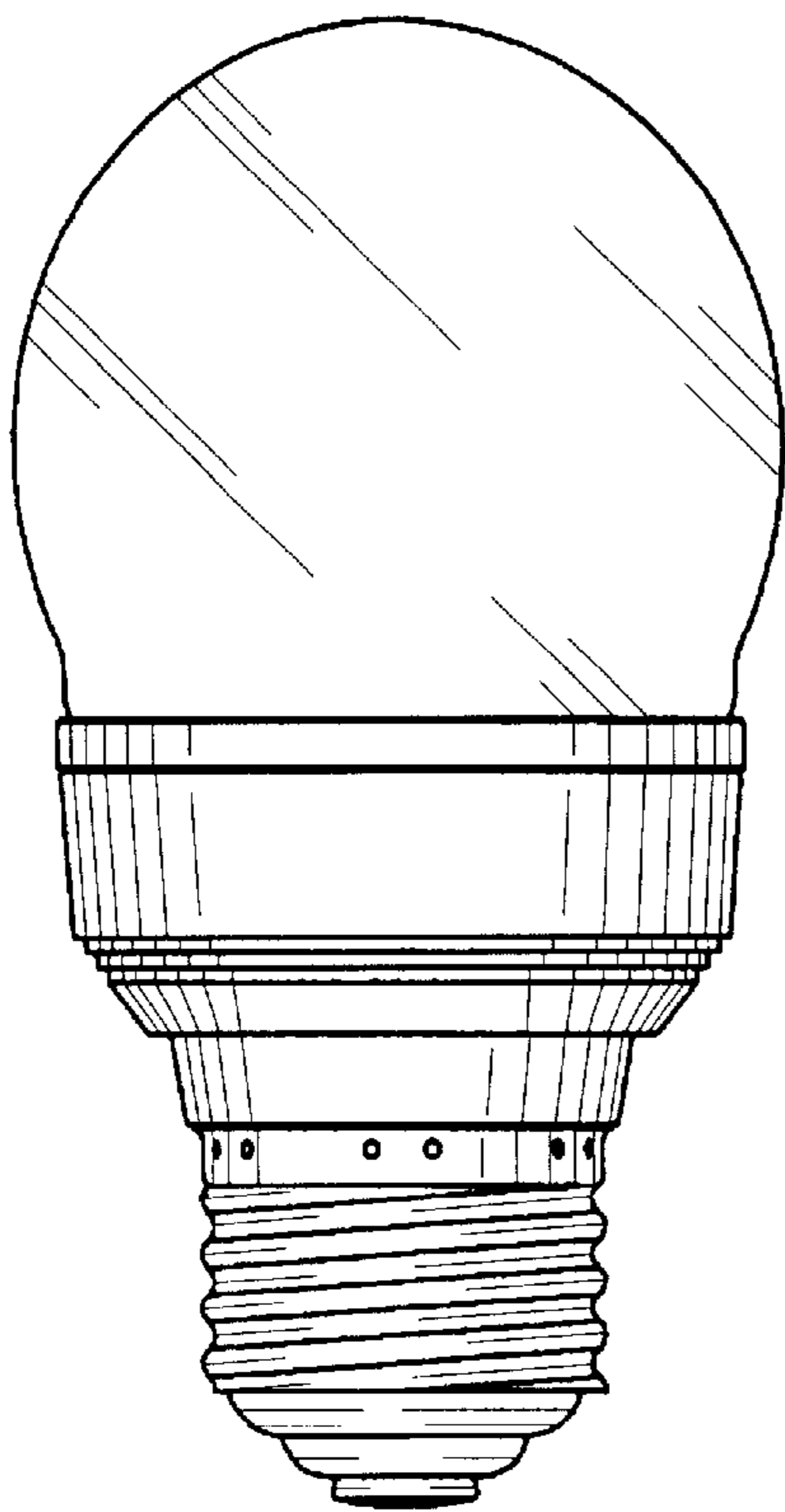
**1 Claim, 4 Drawing Sheets**



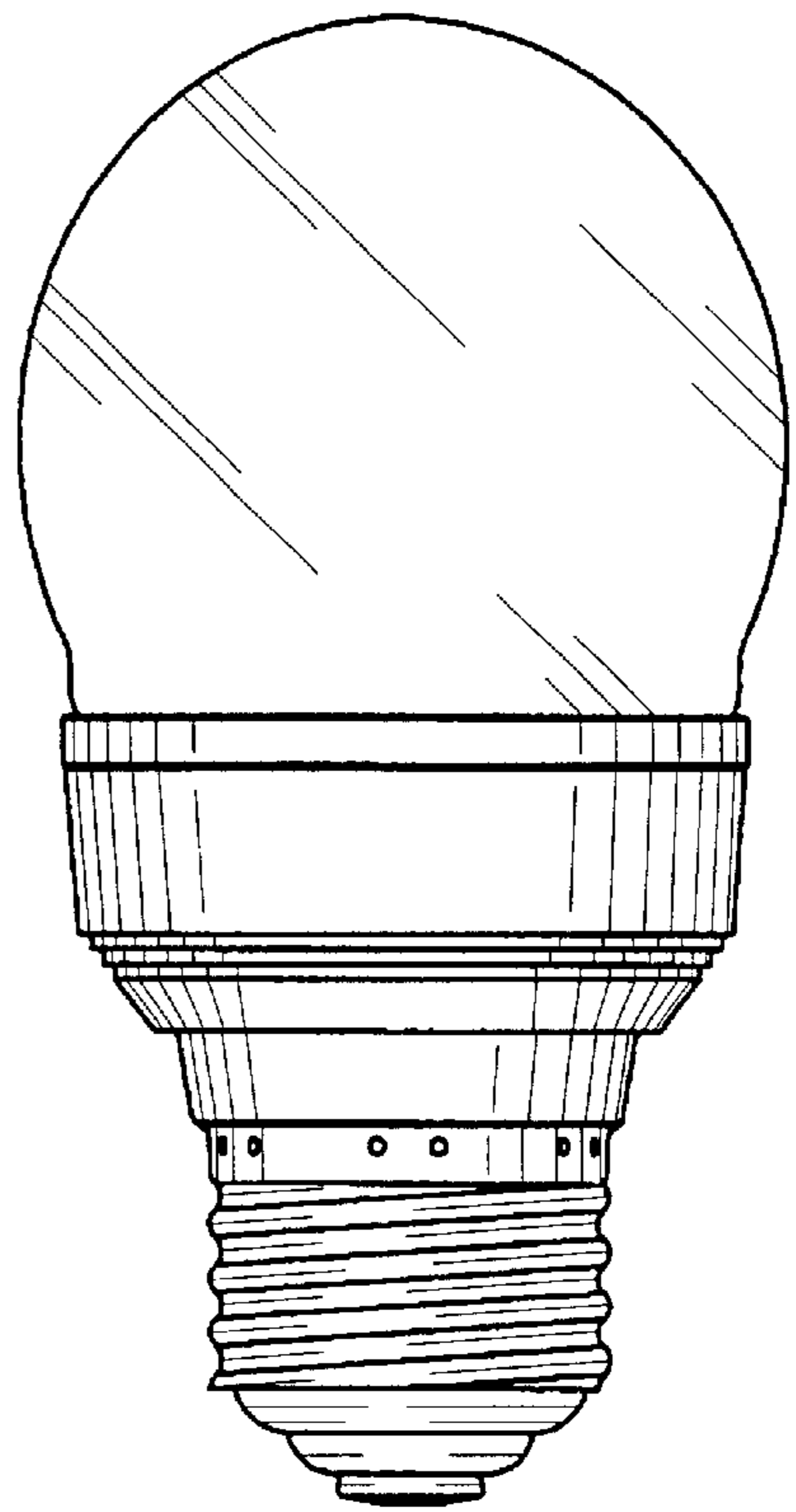
*FIG. 1*



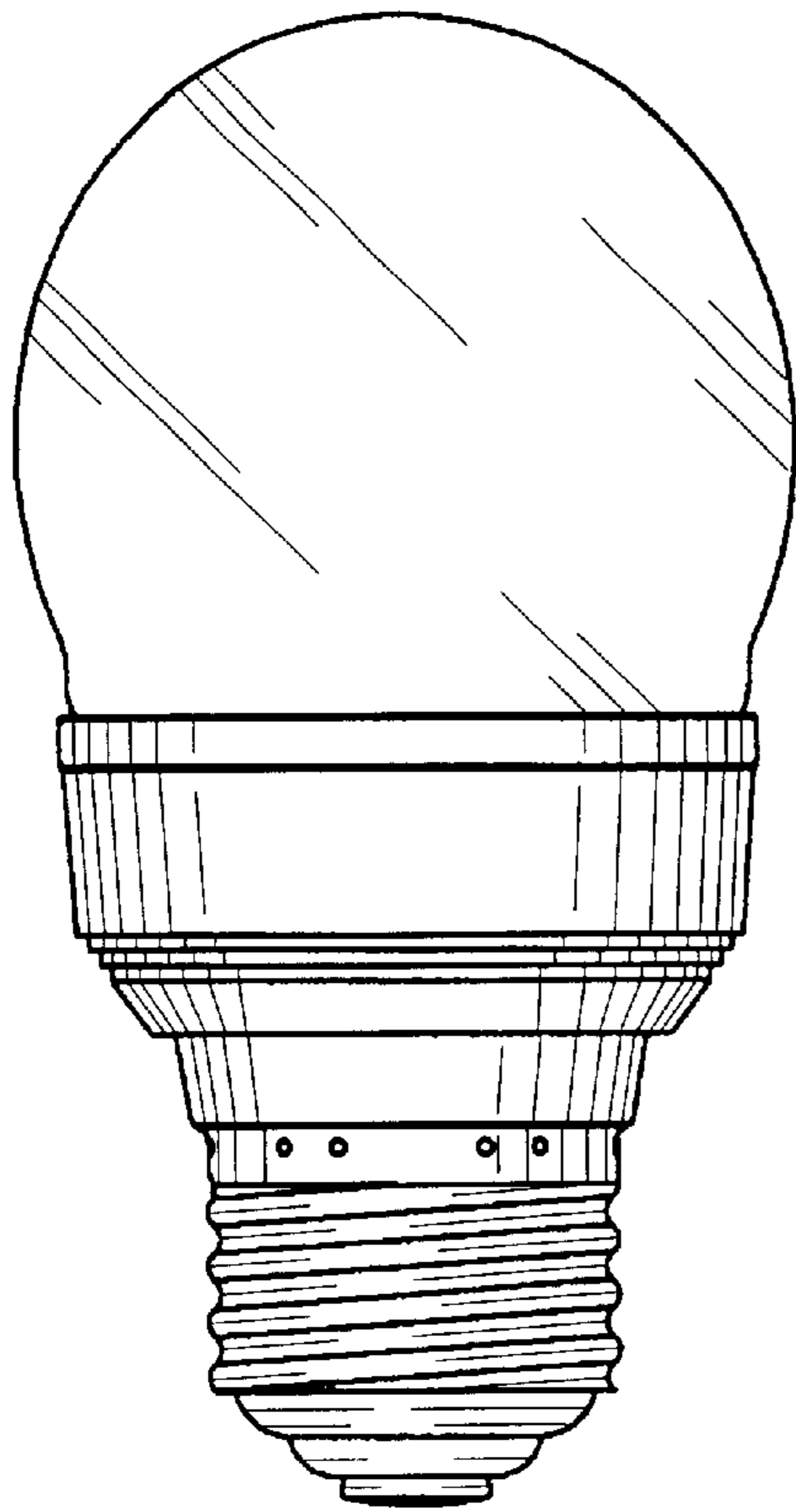
*FIG. 2*



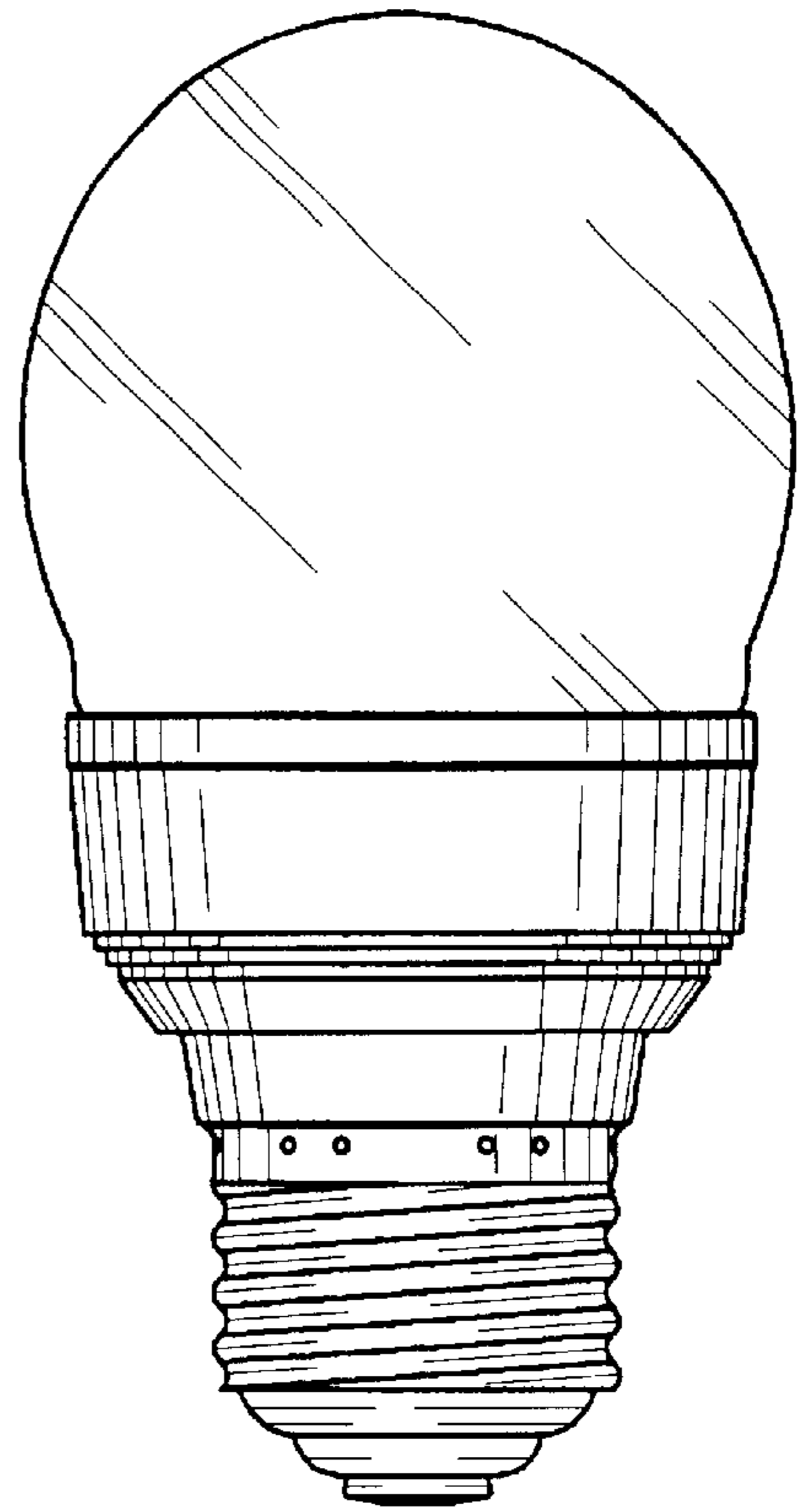
*FIG. 3*



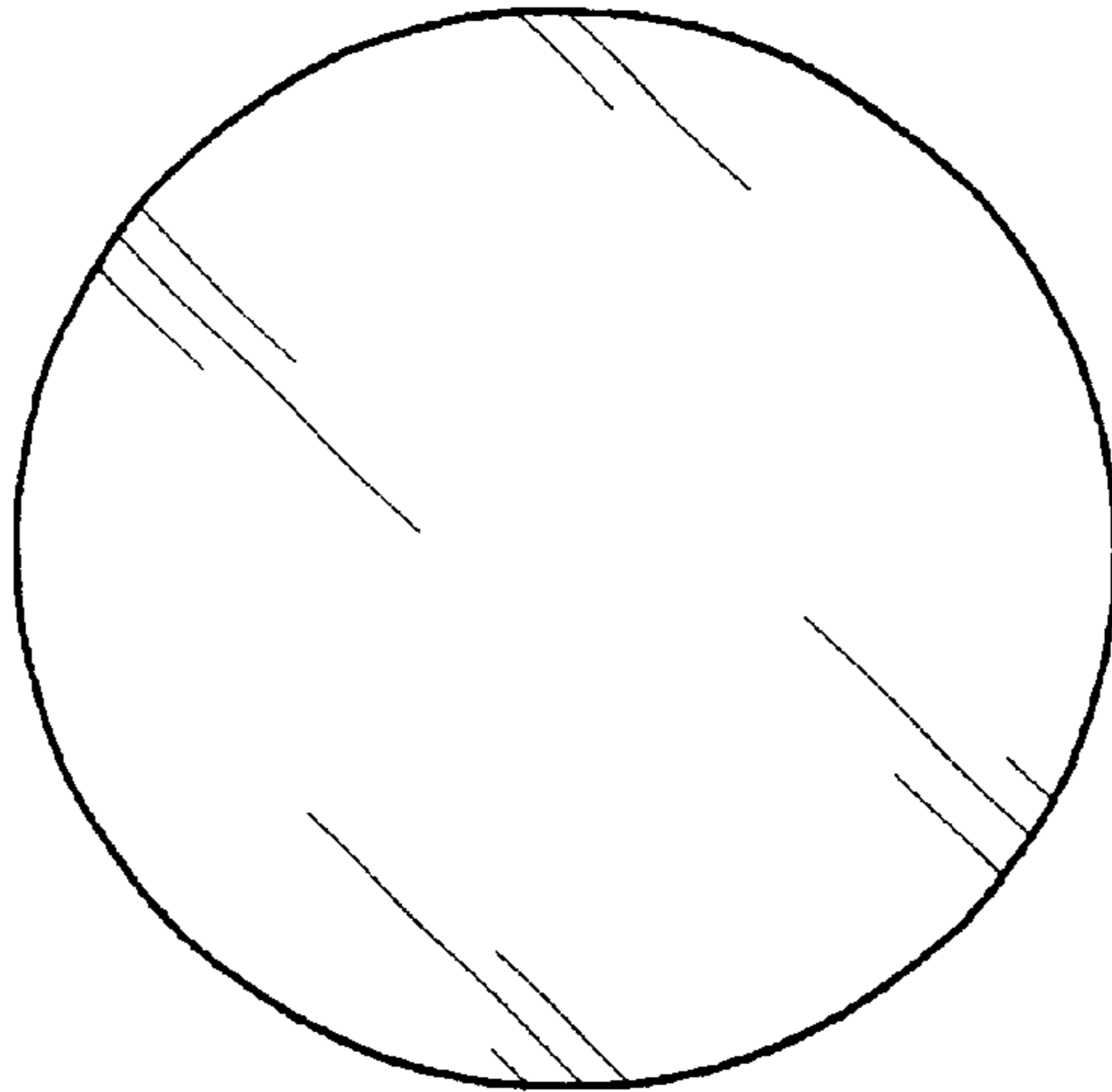
*FIG. 4*



*FIG. 5*



*FIG. 6*



*FIG. 7*

