



US00D479613S

(12) **United States Design Patent** (10) **Patent No.:** **US D479,613 S**
Mueller et al. (45) **Date of Patent:** **** Sep. 9, 2003**

- (54) **LINEAR TRIM SECTION**
- (75) Inventors: **Karl Heinz Mueller**, E. Grand Rapids, MI (US); **Karl J. Mead**, E. Grand Rapids, MI (US); **David M. Gresham**, E. Grand Rapids, MI (US)
- (73) Assignee: **Steelcase Development Corporation**, Caledonia, MI (US)
- (**) Term: **14 Years**
- (21) Appl. No.: **29/173,760**
- (22) Filed: **Jan. 6, 2003**

- 5,155,960 A 10/1992 Shaanan
5,247,773 A 9/1993 Weir
5,274,975 A 1/1994 Haag
5,277,512 A 1/1994 Dwillies
5,287,666 A 2/1994 Frascaroli et al.
5,339,576 A 8/1994 Fussler
5,341,615 A 8/1994 Hodges et al.
5,347,778 A 9/1994 Bray
5,377,466 A 1/1995 Insalaco et al.
5,394,658 A 3/1995 Schreiner et al.
5,524,394 A 6/1996 Szabo, Sr. et al.
5,560,169 A 10/1996 Palmer
5,600,926 A 2/1997 Ehrlich

(List continued on next page.)

Related U.S. Application Data

- (62) Division of application No. 29/158,200, filed on Mar. 29, 2002.
- (51) **LOC (7) Cl.** **25-01**
- (52) **U.S. Cl.** **D25/136**
- (58) **Field of Search** D25/136, 121, D25/119, 55; 52/239, 242, 262, 263, 287.1, 290, 717.01, 718.01

References Cited

U.S. PATENT DOCUMENTS

- 3,778,175 A 12/1973 Zimmer
3,807,102 A 4/1974 Albinson et al.
3,849,962 A 11/1974 Albinson et al.
4,073,113 A 2/1978 Oudot et al.
4,109,429 A 8/1978 Whisson
4,192,106 A 3/1980 Hell
4,360,240 A 11/1982 Koncelik et al.
4,366,999 A 1/1983 Koncelik et al.
4,433,630 A 2/1984 Laborie
4,560,130 A 12/1985 Schwartz
4,571,906 A 2/1986 Ashton
4,611,448 A 9/1986 DeLong
4,677,794 A 7/1987 Parron et al.
4,891,922 A 1/1990 Hozer et al.
5,101,606 A 4/1992 Meru
5,125,193 A 6/1992 Beaulieu

Primary Examiner—Doris Clark

(74) *Attorney, Agent, or Firm*—Price Heneveld Cooper DeWitt & Litton

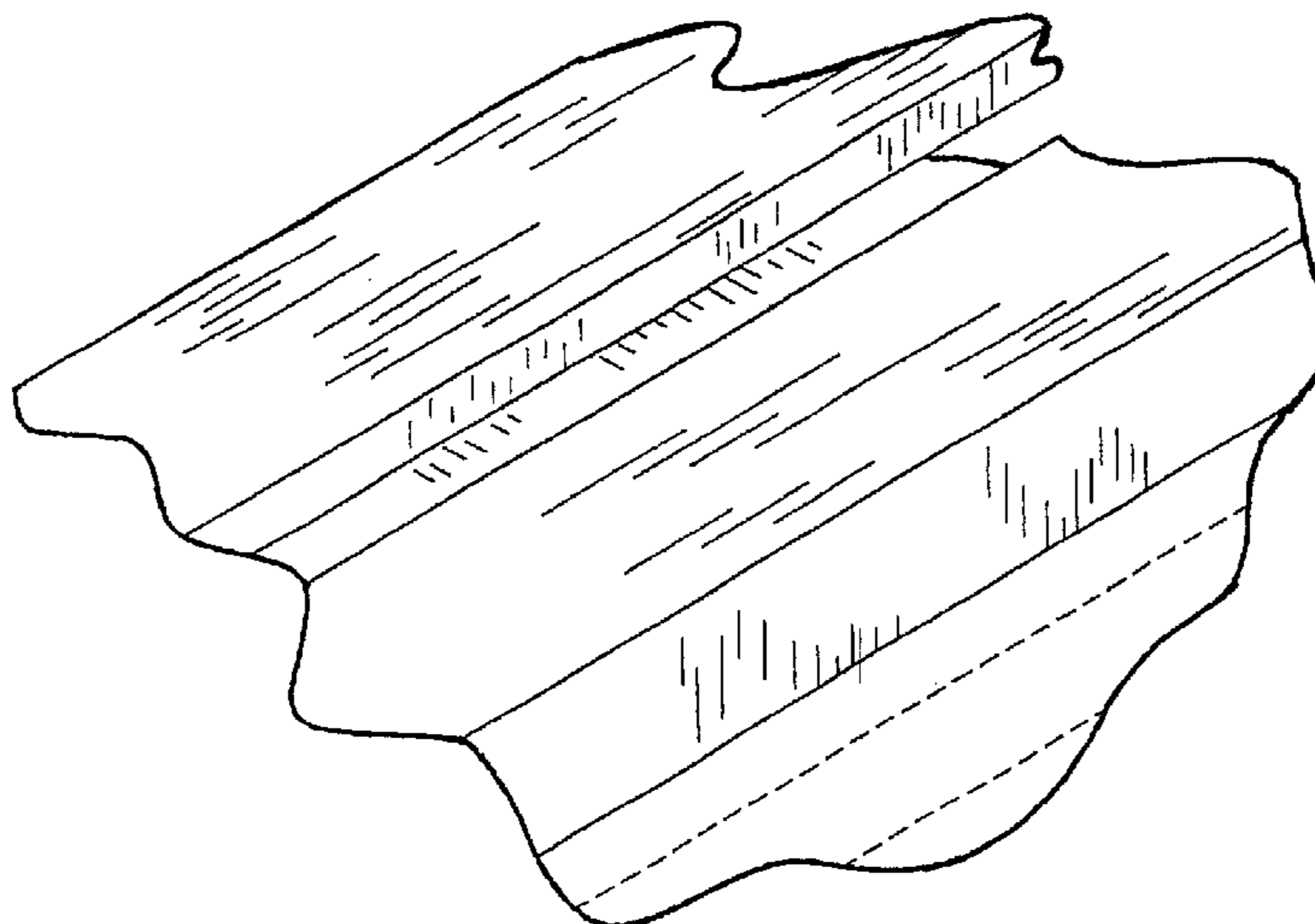
(57) **CLAIM**

We claim the ornamental design for a linear trim section, as shown and described.

DESCRIPTION

FIG. 1 is a perspective view of a linear trim section embodying our design;
FIG. 2 is a front view of FIG. 1, the rear being a mirror image thereof;
FIG. 3 is a top view of FIG. 1; and
FIG. 4 is a cross section taken along the line 4—4 in FIG. 3, showing a contour of the top surface.
FIG. 5 is a perspective view of a linear trim section of a second embodiment embodying our design;
FIG. 6 is a front view of FIG. 4, the rear being a mirror image thereof;
FIG. 7 is a top view of FIG. 4; and,
FIG. 8 is a cross section taken along the line 7—7 in FIG. 7, showing a contour of the top surface.
The dashed lines in FIGS. 1—8 are to show the environment and do not form a part of the present invention.
The claimed design is broken on the ends to indicate indefinite length.

1 Claim, 2 Drawing Sheets



US D479,613 S

Page 2

U.S. PATENT DOCUMENTS

| | | | | | |
|-------------|---------|-----------------|--------------|---------|------------------|
| 5,689,924 A | 11/1997 | Mason | 5,970,675 A | 10/1999 | Schray |
| 5,737,893 A | 4/1998 | Rossiter et al. | D417,015 S | 11/1999 | Chau et al. |
| 5,758,466 A | 6/1998 | Tucker | 6,167,664 B1 | 1/2001 | Reuter et al. |
| 5,831,211 A | 11/1998 | Gartung et al. | 6,276,103 B1 | 8/2001 | Waalkes et al. |
| 5,839,240 A | 11/1998 | Elsholz et al. | 6,279,278 B1 | 8/2001 | Morris et al. |
| 5,875,596 A | 3/1999 | Muller | 6,330,773 B1 | 12/2001 | MacDonald et al. |
| | | | 6,367,213 B1 | 4/2002 | Reuter et al. |

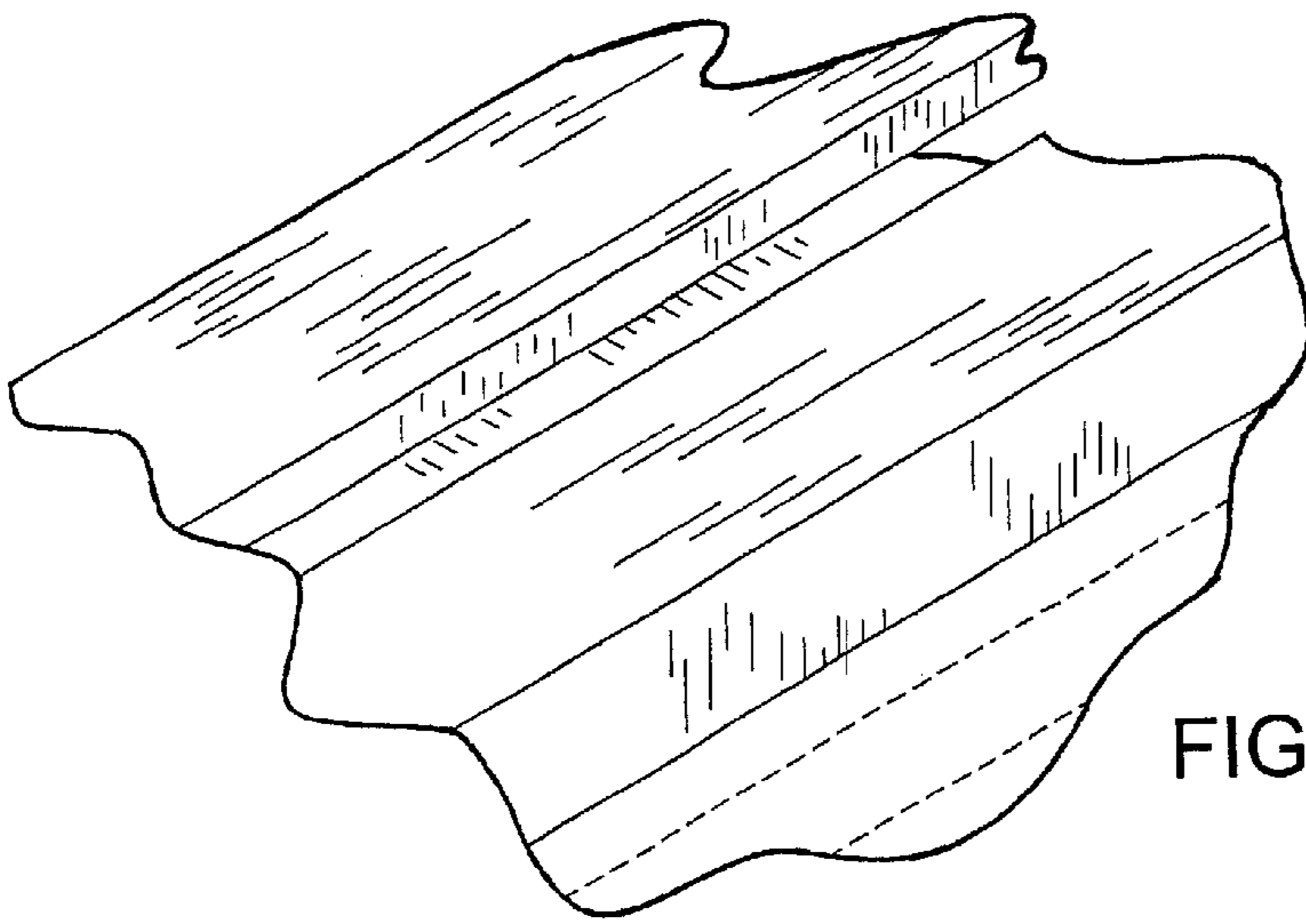


FIG. 1

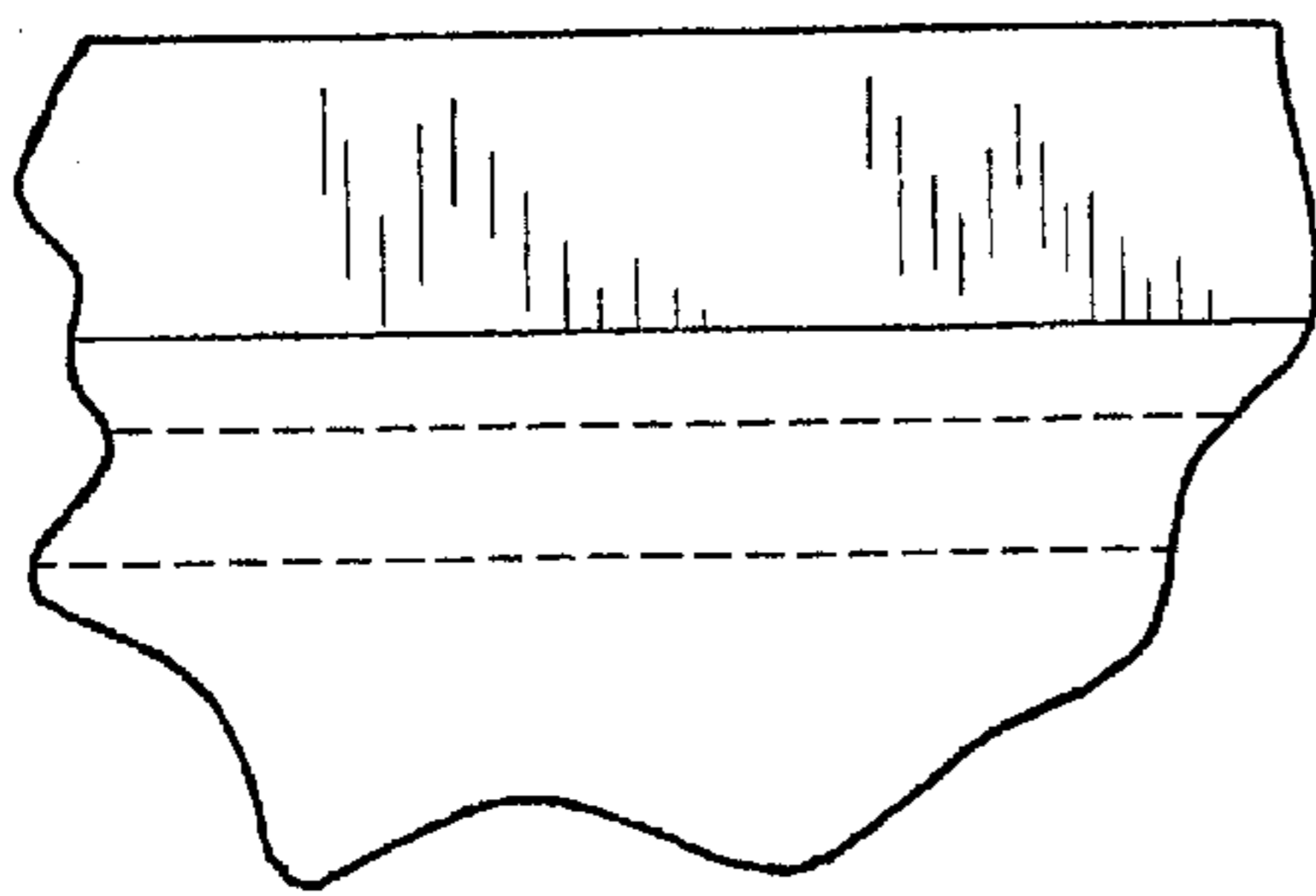


FIG. 2

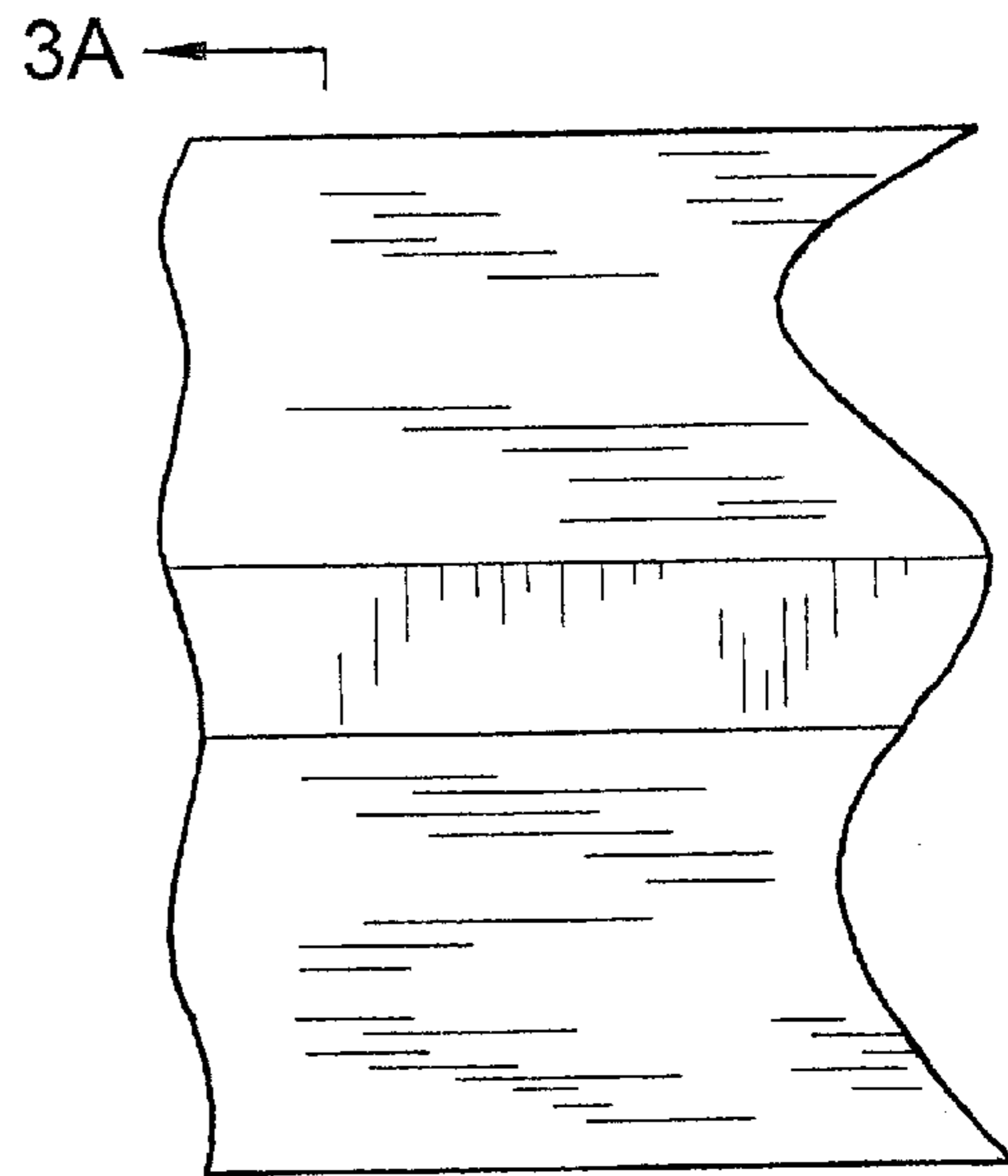


FIG. 3

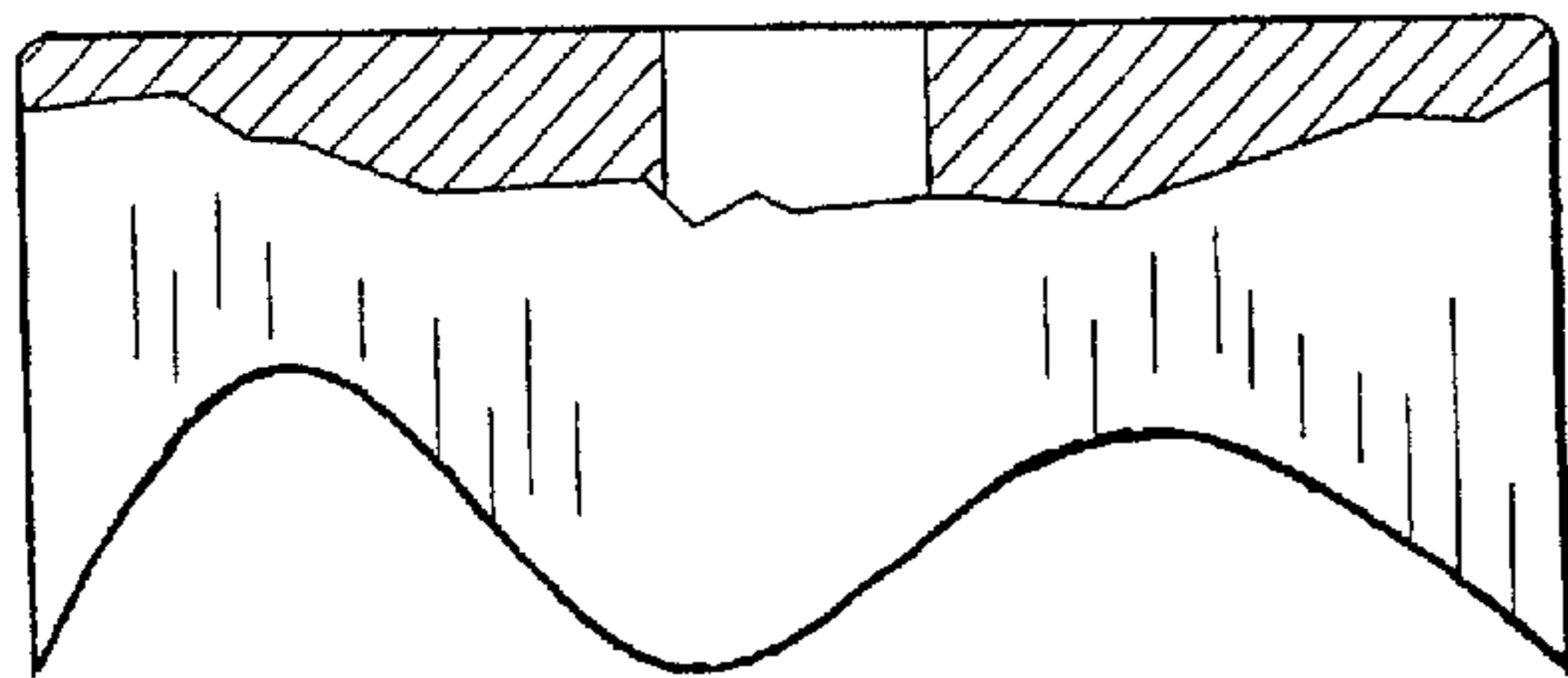


FIG. 3A

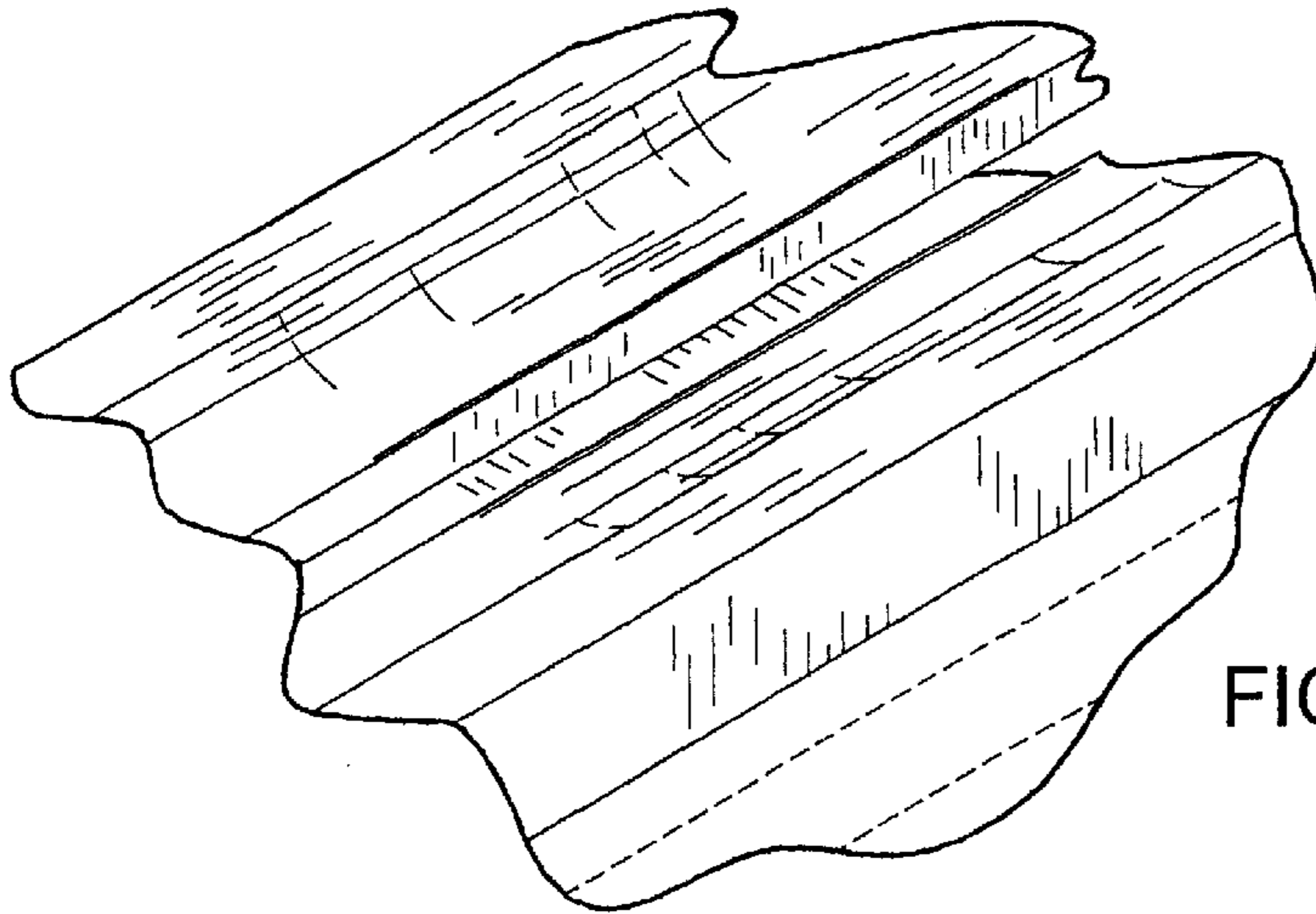


FIG. 4

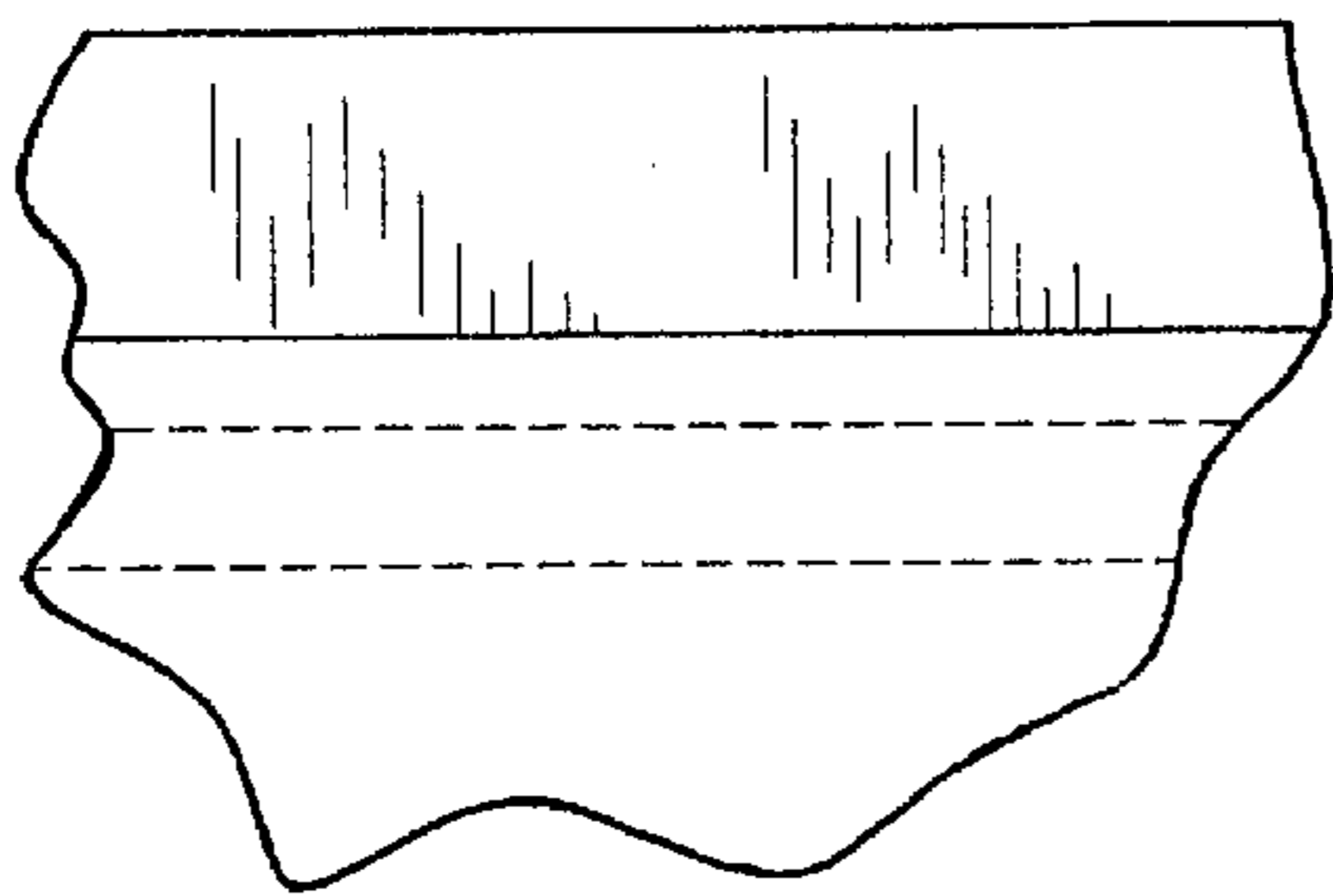


FIG. 5

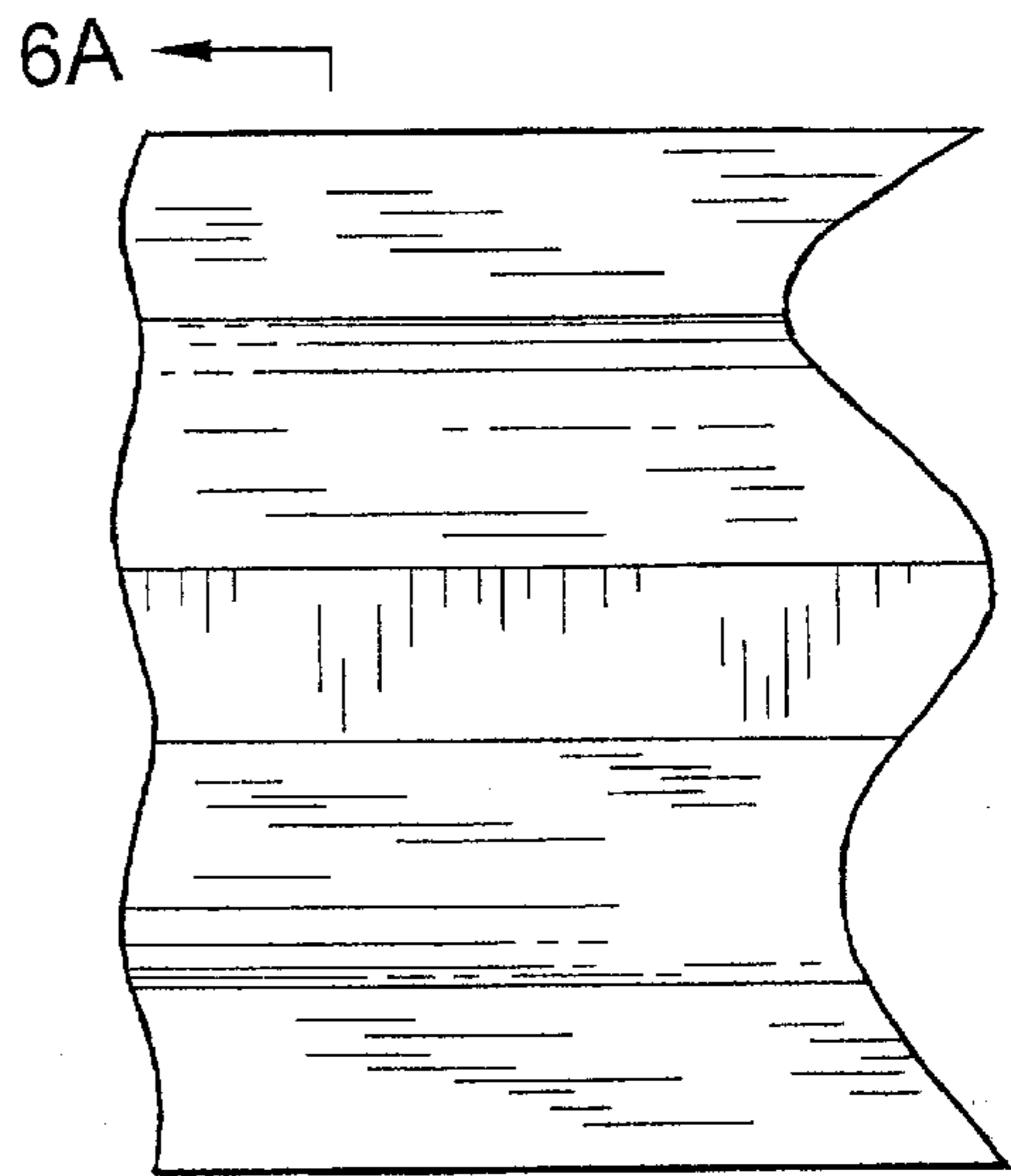


FIG. 6

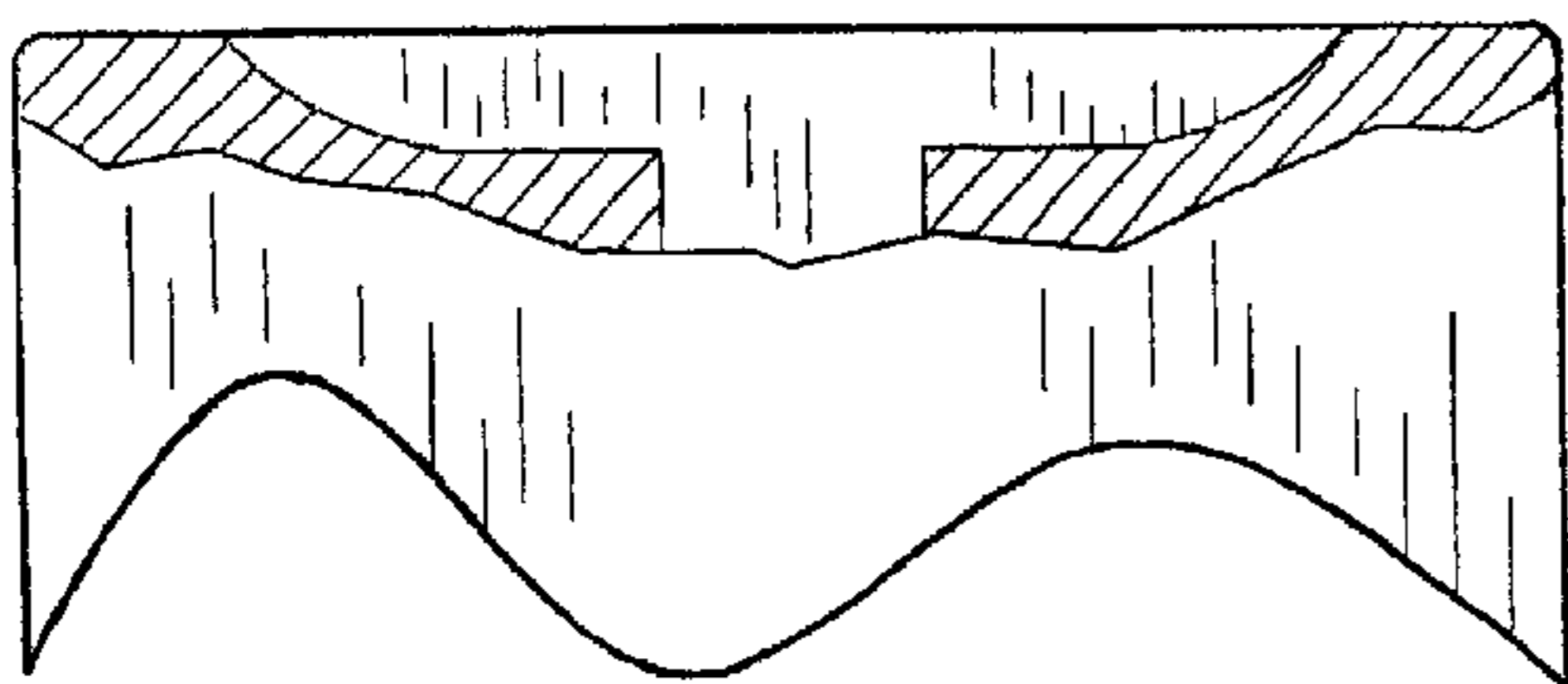


FIG. 6A

UNITED STATES PATENT AND TRADEMARK OFFICE
CERTIFICATE OF CORRECTION

PATENT NO. : Des. 479,613 S
DATED : September 9, 2003
INVENTOR(S) : Karl Heinz Mueller et al.

Page 1 of 1

It is certified that error appears in the above-identified patent and that said Letters Patent is hereby corrected as shown below:

Drawings,

Fig. 5, after "of a", delete "linear trim section of a";

Fig. 6, delete "4" and insert -- 5 --;

Fig. 7, delete "4" and insert -- 5 --.

Signed and Sealed this

Sixteenth Day of December, 2003

A handwritten signature in black ink, appearing to read "James E. Rogan", with a horizontal line underneath.

JAMES E. ROGAN
Director of the United States Patent and Trademark Office