



US00D479606S

(12) **United States Design Patent**  
**Randolph**

(10) **Patent No.:** **US D479,606 S**

(45) **Date of Patent:** **\*\* Sep. 9, 2003**

- (54) **NIPPLE**
- (75) **Inventor:** **Ross Steven Randolph**, Rockaway, NJ  
(US)
- (73) **Assignee:** **Playtex Products, Inc.**, Westport, CT  
(US)
- (\*\*) **Term:** **14 Years**
- (21) **Appl. No.:** **29/169,137**
- (22) **Filed:** **Oct. 15, 2002**
- (51) **LOC (7) Cl.** ..... **07-01**
- (52) **U.S. Cl.** ..... **D24/197**
- (58) **Field of Search** ..... D24/196, 193;  
215/11.1, 11.2, 11.3, 11.4, 11.5, 11.6; 606/236

- (56) **References Cited**
- U.S. PATENT DOCUMENTS
- |             |          |                    |          |
|-------------|----------|--------------------|----------|
| 956,741 A   | 5/1910   | Smith              |          |
| 1,099,082 A | 6/1914   | Decker             |          |
| 1,541,330 A | 6/1925   | Decker             |          |
| 1,858,356 A | 5/1932   | Brown              |          |
| 2,196,870 A | 4/1940   | Little             | 128/252  |
| D130,791 S  | 12/1941  | Porthouse et al.   |          |
| 2,269,223 A | 1/1942   | Porthouse et al.   | 128/252  |
| 2,509,129 A | 5/1950   | Buck               | 215/11   |
| 2,741,385 A | 4/1956   | Raiche             | 215/11   |
| 2,977,013 A | 3/1961   | Clemens            | 215/11   |
| 3,203,569 A | 8/1965   | Shomock et al.     | 215/11   |
| 3,211,315 A | 10/1965  | Griesinger         | 215/11   |
| 3,272,202 A | 9/1966   | Soto               | 128/252  |
| 3,664,535 A | 5/1972   | Mette              | 215/11   |
| 3,677,429 A | 7/1972   | La Barge           | 215/11 C |
| 3,777,753 A | 12/1973  | Kesselring et al.  | 128/252  |
| 4,238,040 A | 12/1980  | Fitzpatrick        | 215/11   |
| D264,380 S  | * 5/1982 | Chrones            | D24/196  |
| D271,797 S  | 12/1983  | Chrones            | D24/46   |
| D286,071 S  | 10/1986  | Fuller             | D24/46   |
| D288,240 S  | 2/1987   | Fuller             | D24/46   |
| D288,241 S  | 2/1987   | Fuller             | D24/46   |
| 4,676,386 A | 6/1987   | Phlaphongphanich   | 215/11   |
| D294,735 S  | 3/1988   | Morano et al.      | D24/46   |
| D300,462 S  | 3/1989   | English et al.     | D24/45   |
| 4,834,099 A | 5/1989   | Schrooten          | 128/360  |
| D303,839 S  | 10/1989  | Fitzpatrick et al. | D24/46   |
| 5,024,341 A | 6/1991   | Dekerle            | 215/11.1 |

- |             |          |                    |            |
|-------------|----------|--------------------|------------|
| 5,129,532 A | 7/1992   | Martin             | 215/11.1   |
| D330,938 S  | 11/1992  | Sakashita          | D24/196    |
| 5,269,426 A | 12/1993  | Morano             | 215/11.6   |
| 5,419,445 A | 5/1995   | Kaesemeyer         | 215/11.1   |
| D360,468 S  | 7/1995   | Fuller             | D24/196    |
| 5,553,726 A | 9/1996   | Park               | 215/11.4   |
| 5,617,972 A | 4/1997   | Morano et al.      | 221/33     |
| D381,752 S  | 7/1997   | McCoy              | D24/196    |
| 5,653,732 A | 8/1997   | Sheehy             | 606/236    |
| 5,747,083 A | 5/1998   | Raymond et al.     | 426/117    |
| 5,806,711 A | 9/1998   | Morano et al.      | 221/33     |
| D405,530 S  | 2/1999   | Manganiello et al. | D24/196    |
| 5,878,899 A | 3/1999   | Manganiello et al. | 215/11.6   |
| 5,881,893 A | 3/1999   | Manganiello        | 215/11.5   |
| D411,886 S  | 7/1999   | Manganiello        | D24/197    |
| 5,921,426 A | 7/1999   | Randolph           | 220/495.06 |
| D412,582 S  | 8/1999   | Morano             | D24/197    |
| D417,275 S  | 11/1999  | Conforti           | D24/130    |
| 6,003,698 A | 12/1999  | Morano             | 215/11.1   |
| 6,032,810 A | 3/2000   | Meyers et al.      | 215/11.1   |
| 6,053,342 A | 4/2000   | Chomik             | 215/11.5   |
| D433,143 S  | 10/2000  | Chomik et al.      | D24/197    |
| D441,086 S  | 4/2001   | Morano             | D24/197    |
| D441,870 S  | 5/2001   | Randolph           | D24/196    |
| D463,567 S  | * 9/2002 | Morano             | D24/196    |
| D465,028 S  | 10/2002  | Renz               | D24/196    |

\* cited by examiner

*Primary Examiner*—Stella Reid  
(74) *Attorney, Agent, or Firm*—Ohlandt, Greeley, Ruggiero & Perle, LLP

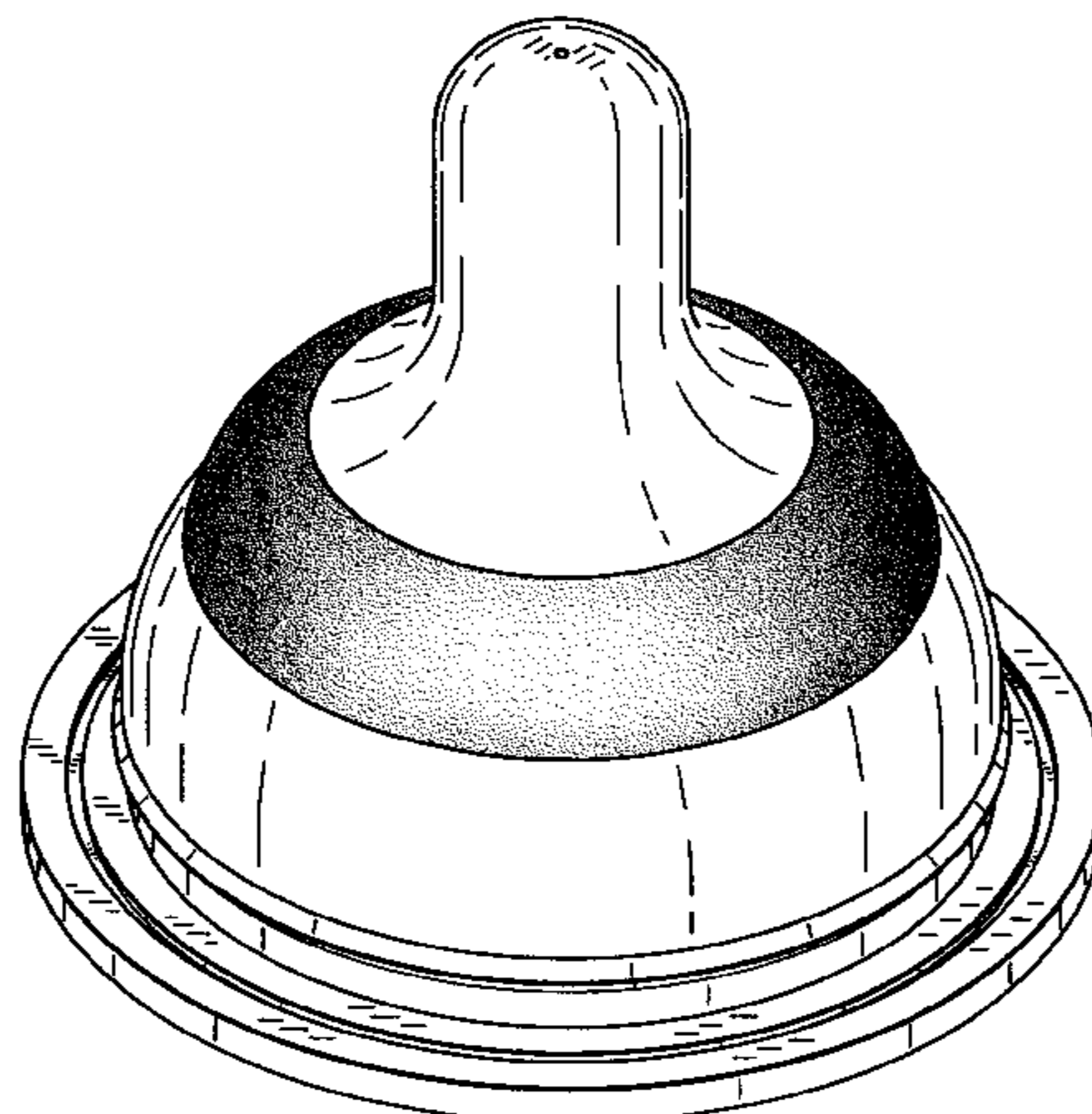
(57) **CLAIM**

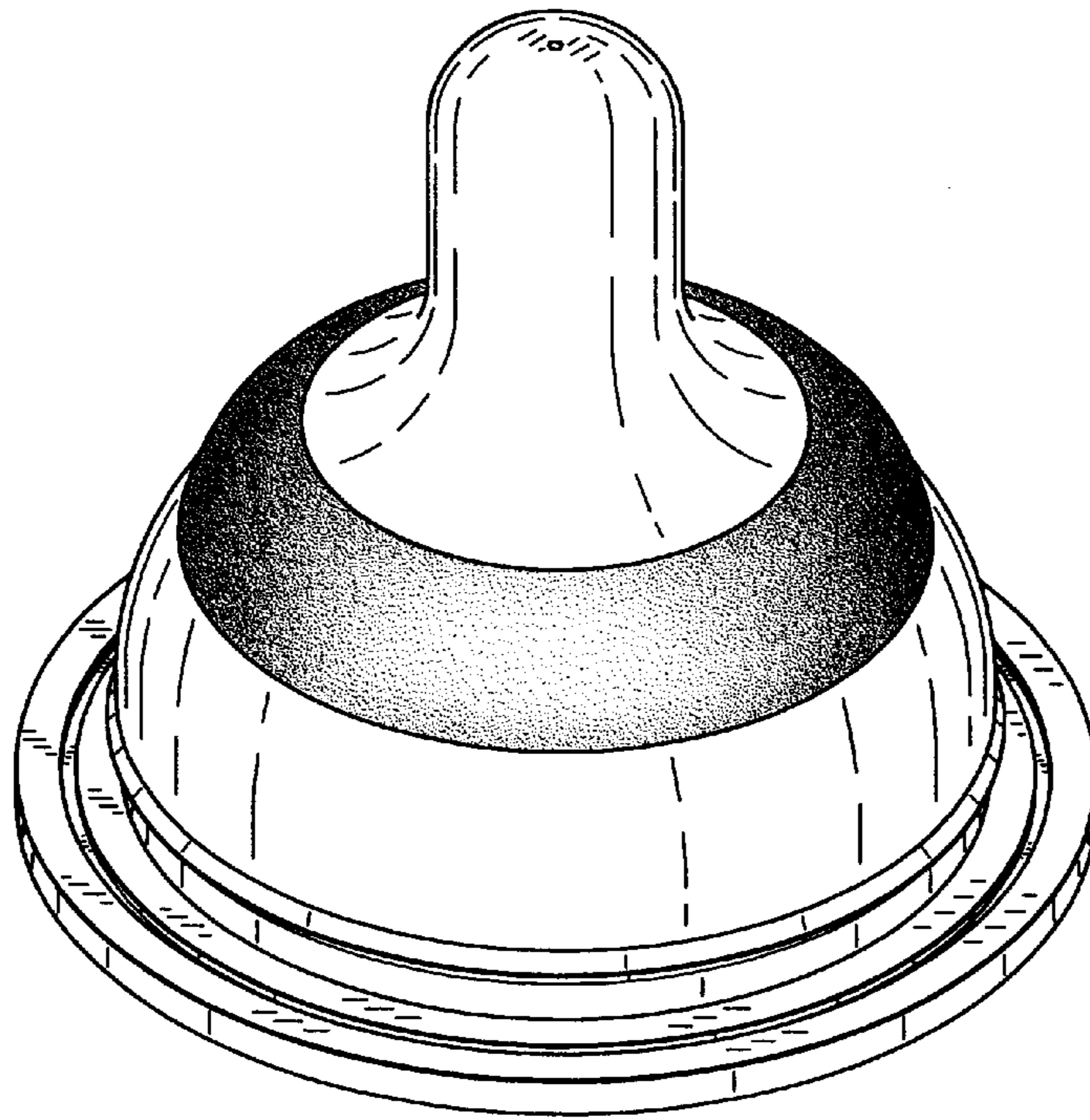
The ornamental design for a nipple, as shown and described.

**DESCRIPTION**

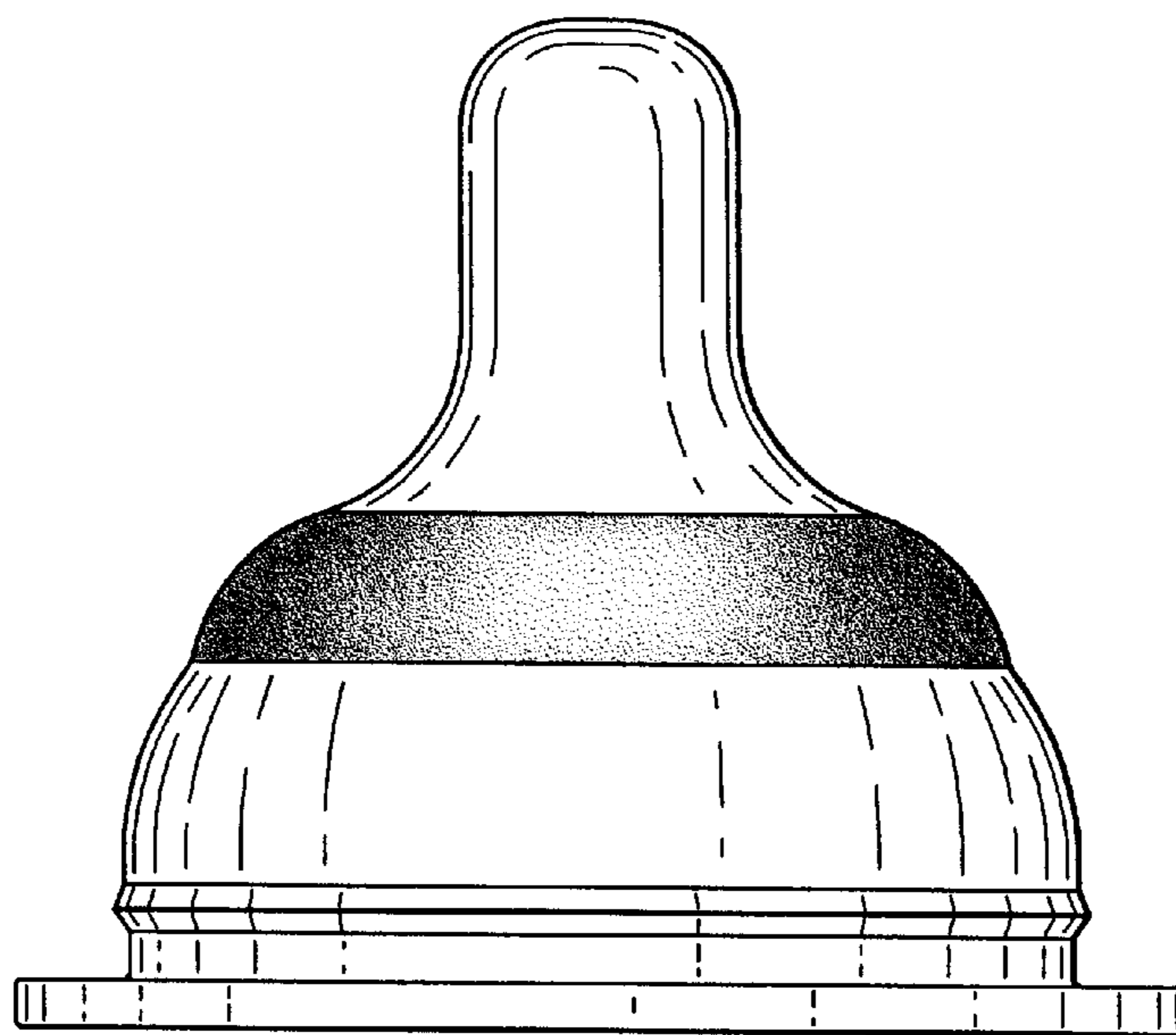
FIG. 1 is a perspective view of a nipple, showing my new design;  
FIG. 2 is a front view of the nipple of FIG. 1;  
FIG. 3 is a top view of the nipple of FIG. 1;  
FIG. 4 is a perspective view of a second embodiment of the nipple, showing my new design;  
FIG. 5 is a front view of the nipple of FIG. 4; and,  
FIG. 6 is a top view of the nipple of FIG. 4.  
The broken line showing in FIGS. 4-6 is for illustrative purposes only and forms no part of the claimed design.

**1 Claim, 4 Drawing Sheets**

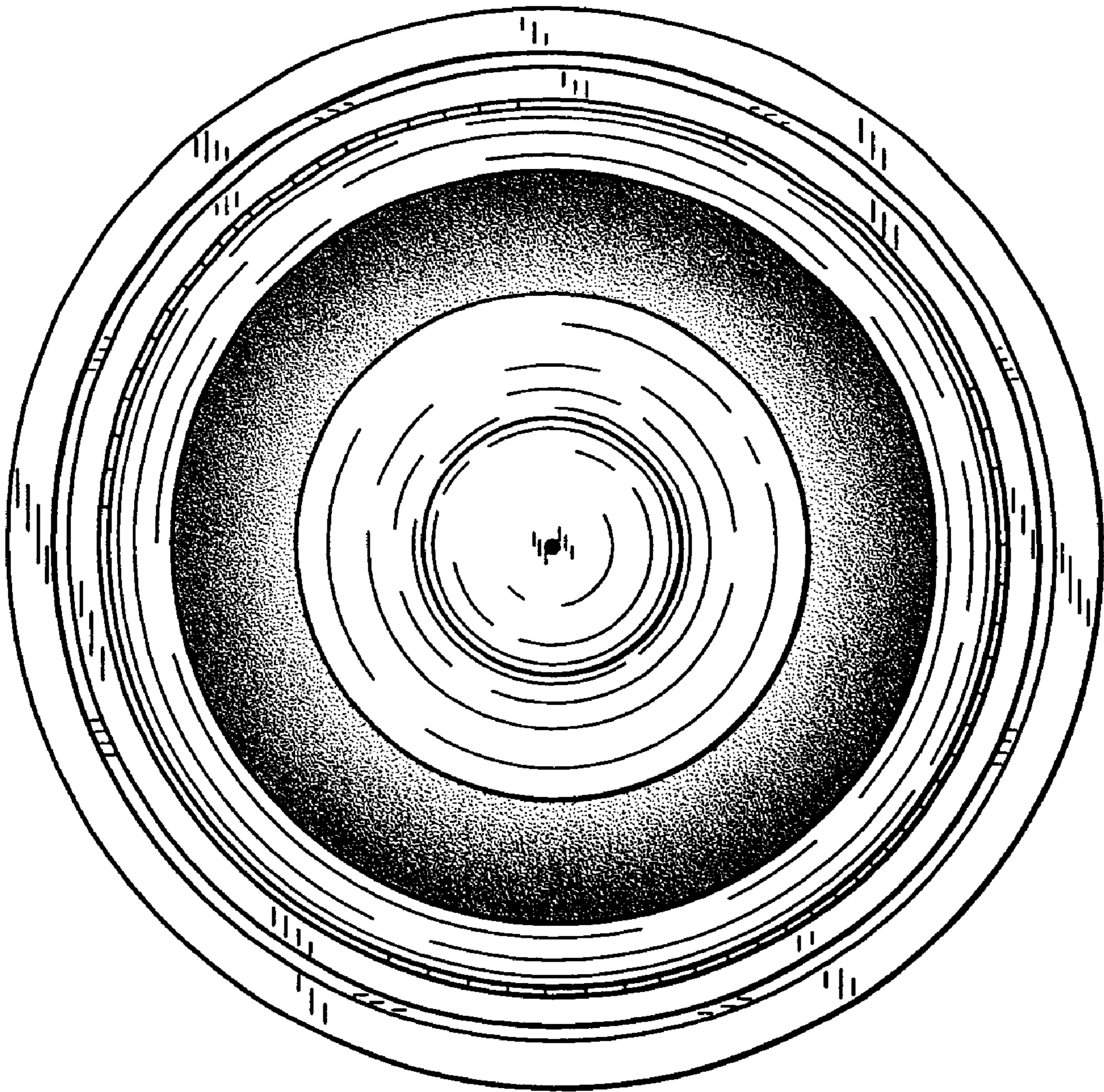




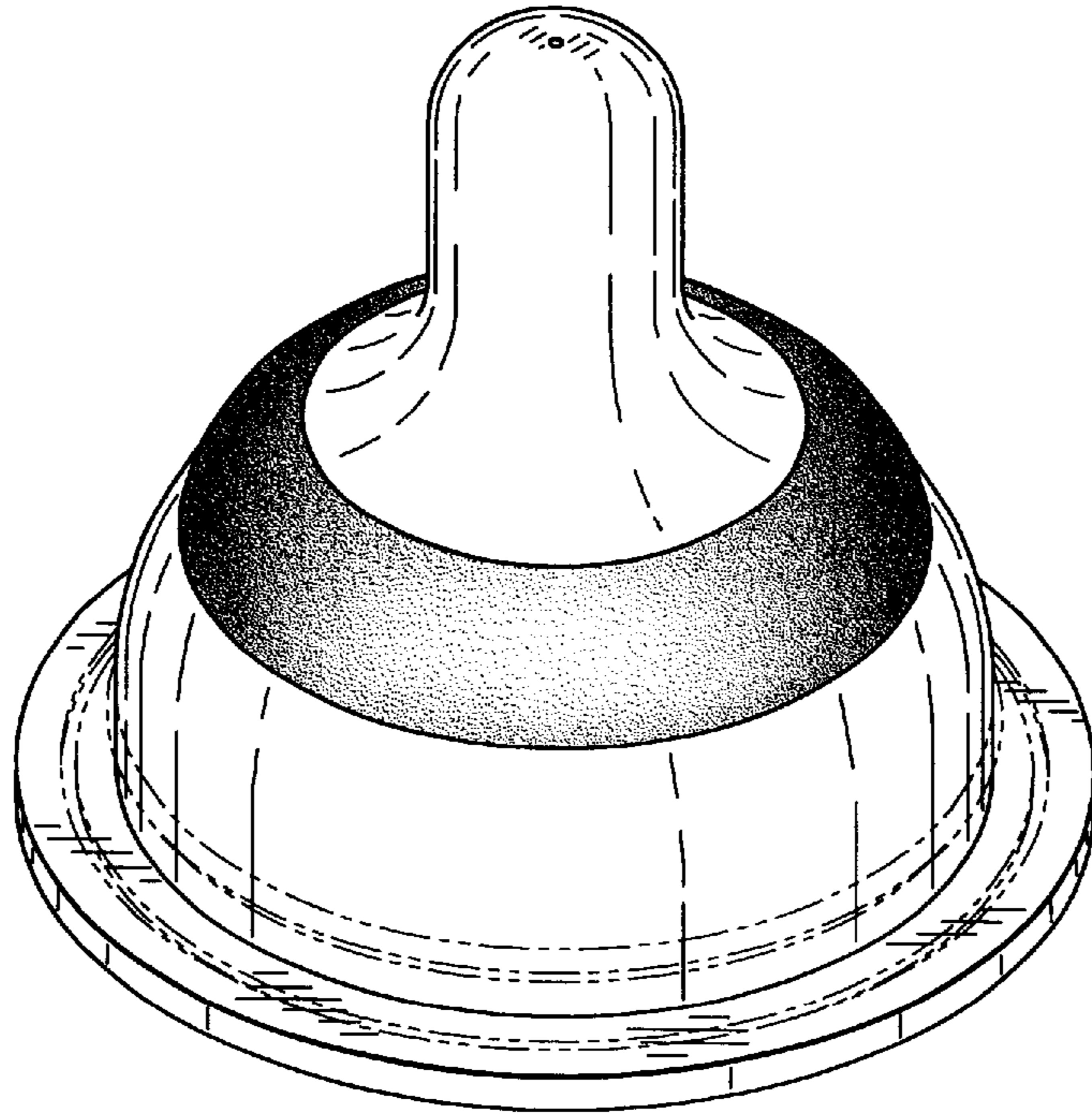
**FIG. 1**



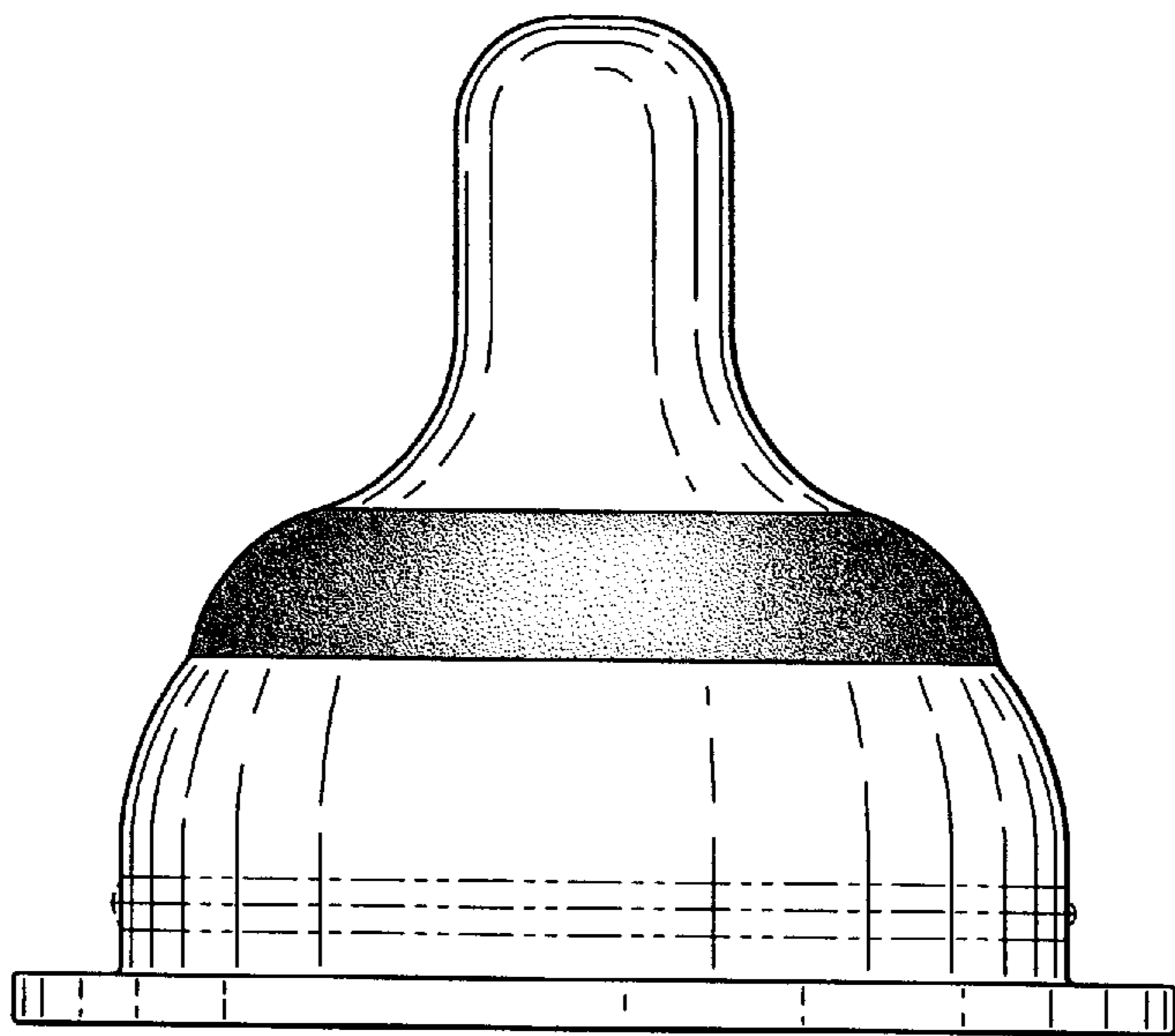
**FIG. 2**



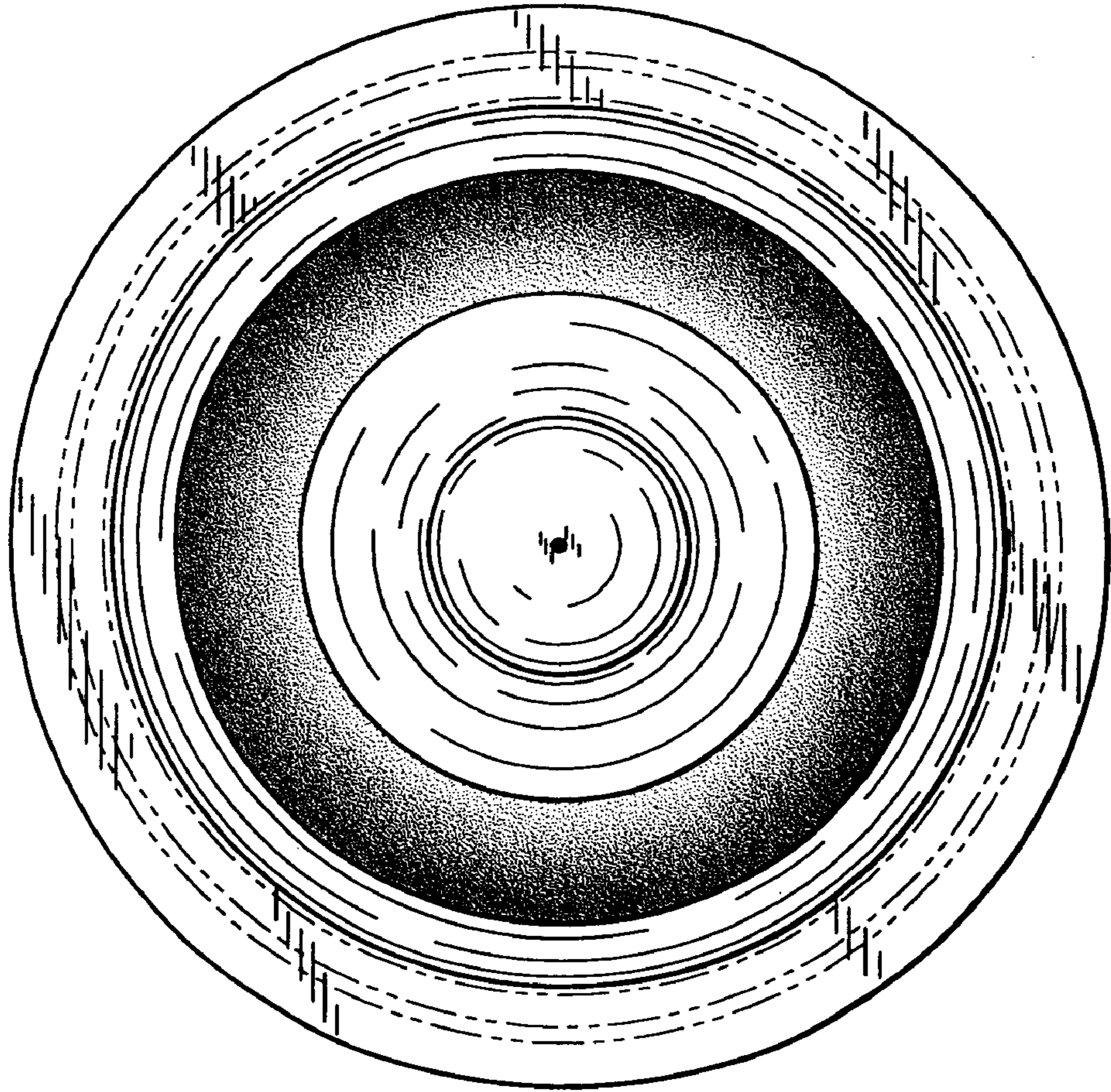
**FIG. 3**



**FIG. 4**



**FIG. 5**



**FIG. 6**