



US00D479604S

(12) **United States Design Patent**  
**Kimura et al.**

(10) **Patent No.:** **US D479,604 S**

(45) **Date of Patent:** **\*\* Sep. 9, 2003**

(54) **INDUSTRIAL ENDOSCOPE APPARATUS**

(75) Inventors: **Seiji Kimura**, Hino (JP); **Nobuyuki Saruya**, Hino (JP); **Shinji Fujikawa**, Hachioji (JP); **Yoshihiro Hayashi**, Hachioji (JP)

(73) Assignee: **Olympus Optical Co., Ltd.**, Tokyo (JP)

(\*\*) Term: **14 Years**

(21) Appl. No.: **29/152,096**

(22) Filed: **Oct. 22, 2001**

(30) **Foreign Application Priority Data**

Apr. 27, 2001	(JP)	.....	2001-012586
Apr. 27, 2001	(JP)	.....	2001-012587
Apr. 27, 2001	(JP)	.....	2001-012607

(51) **LOC (7) Cl.** ..... **24-02**

(52) **U.S. Cl.** ..... **D24/138; D3/273; D3/294**

(58) **Field of Search** ..... **D24/137, 138, D24/121, 232, 231; D3/273, 294, 203; 206/363, 570, 407, 303, 408, 370, 438, 305; 356/240.1, 241.1; 600/102, 101, 178**

(56) **References Cited**

**U.S. PATENT DOCUMENTS**

D243,115	S	*	1/1977	Ziegler et al.	.....	D24/138
5,314,070	A	*	5/1994	Ciarlei	.....	206/570
5,323,899	A	*	6/1994	Strom et al.	.....	206/363
5,931,833	A	*	8/1999	Silverstein	.....	600/101
D445,509	S	*	7/2001	Berndt et al.	.....	D24/232

\* cited by examiner

*Primary Examiner*—Ian Simmons

(74) *Attorney, Agent, or Firm*—Hogan & Hartson, LLP

(57) **CLAIM**

The ornamental design for an industrial endoscope apparatus, as shown and described.

**DESCRIPTION**

FIG. 1 is a front, upper and right perspective view of an industrial endoscope apparatus showing our new design; FIG. 2 is a perspective view of the rear as seen obliquely from the bottom left side thereof; FIG. 3 is a front elevational view thereof; FIG. 4 is a rear view thereof; FIG. 5 is a top plan view thereof; FIG. 6 is a bottom plan view thereof; FIG. 7 is a right side elevational view thereof; FIG. 8 is a left side elevational view thereof; FIG. 9 is a front, upper and right perspective view thereof, with the handle shown in an extended position; FIG. 10 is a front, upper and right perspective view thereof, with the lid shown in open condition. The broken line showing of the endoscope is for illustrative purposes only and forms no part of the claimed design; FIG. 11 is a front elevational view thereof; FIG. 12 is a rear elevational view thereof; FIG. 13 is a top plan view thereof; FIG. 14 is a bottom plan view thereof; FIG. 15 is a right side elevational view thereof; and, FIG. 16 is a left side elevational view thereof.

**1 Claim, 10 Drawing Sheets**

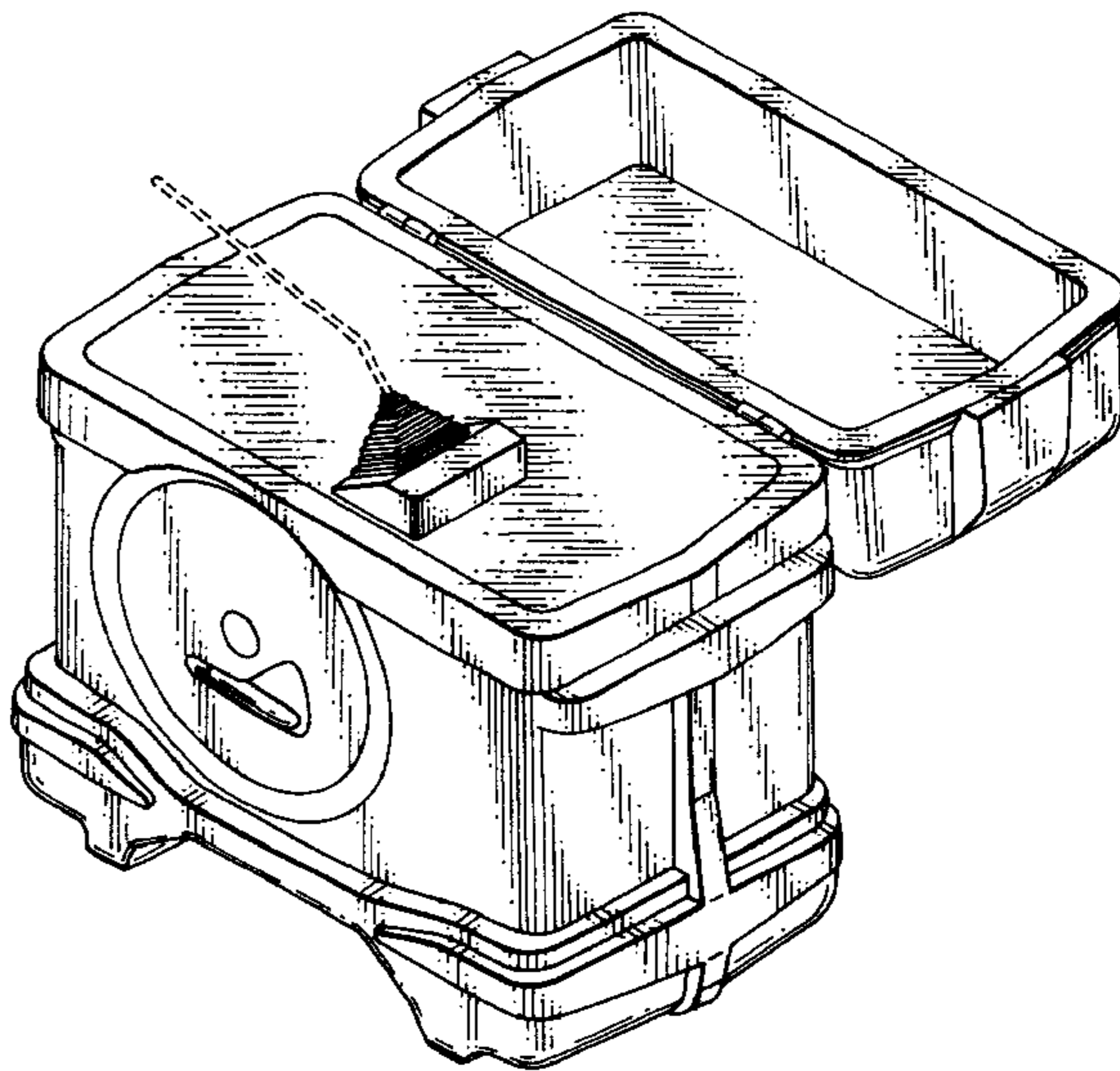
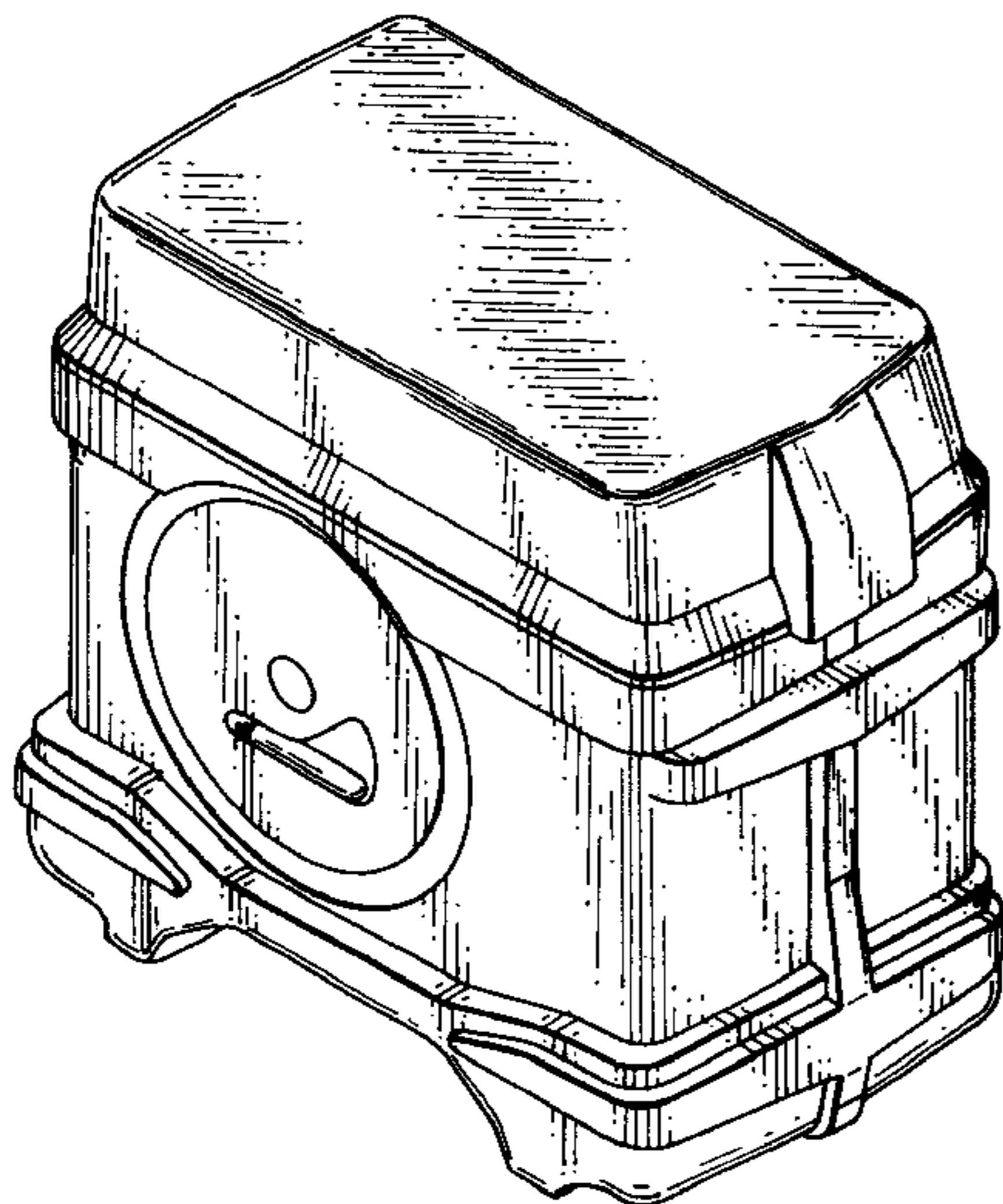


FIG. 1

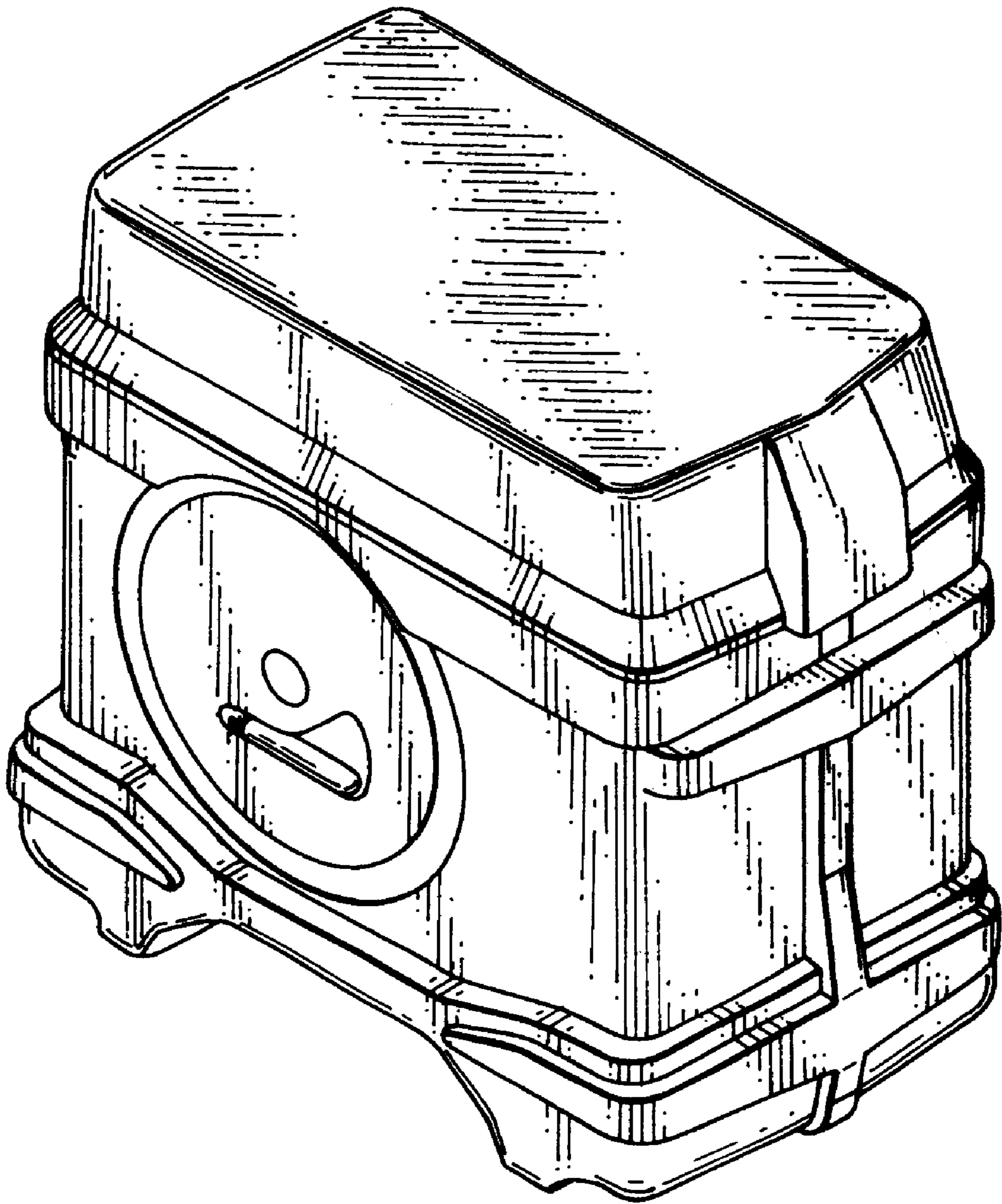


FIG. 2

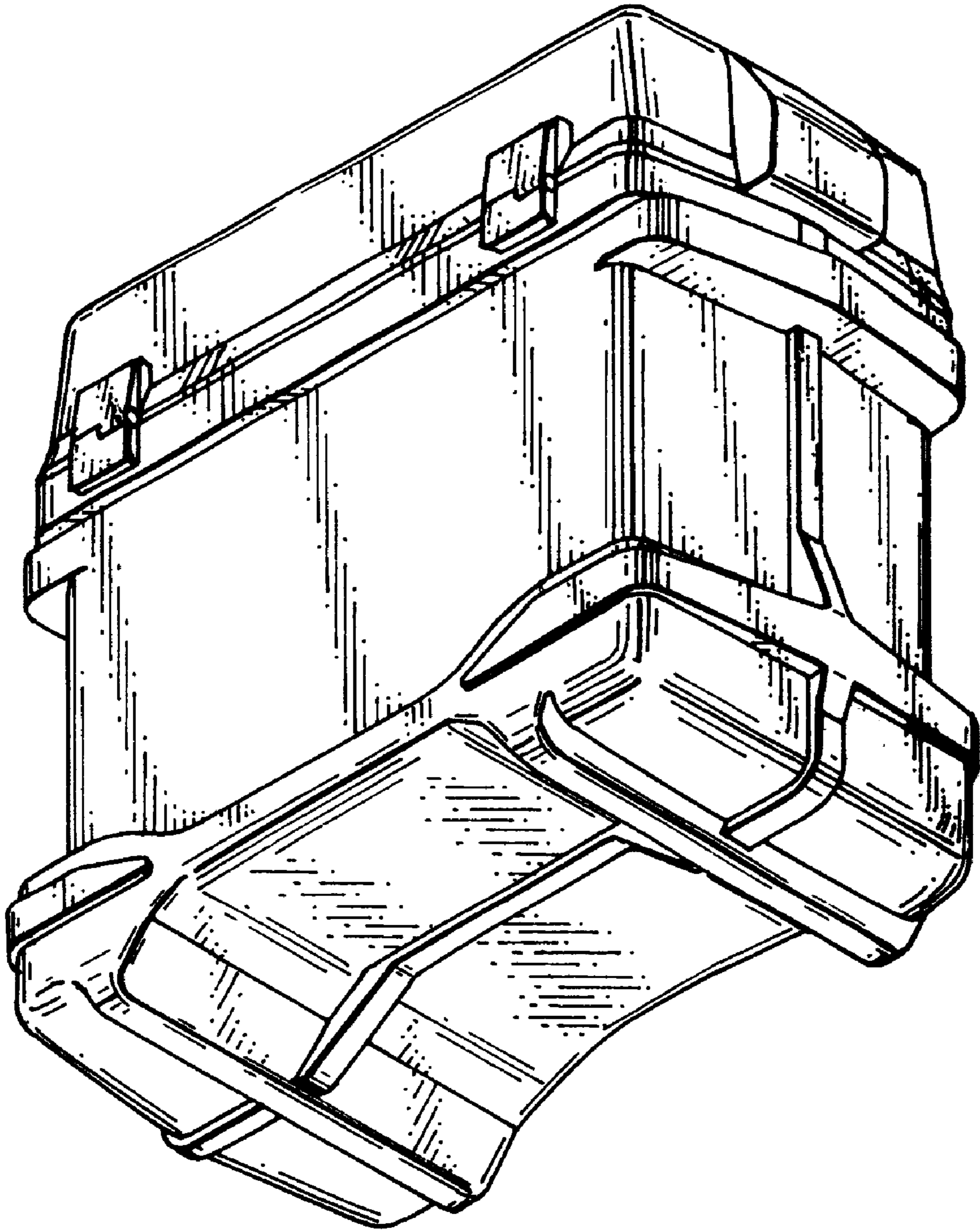


FIG. 3

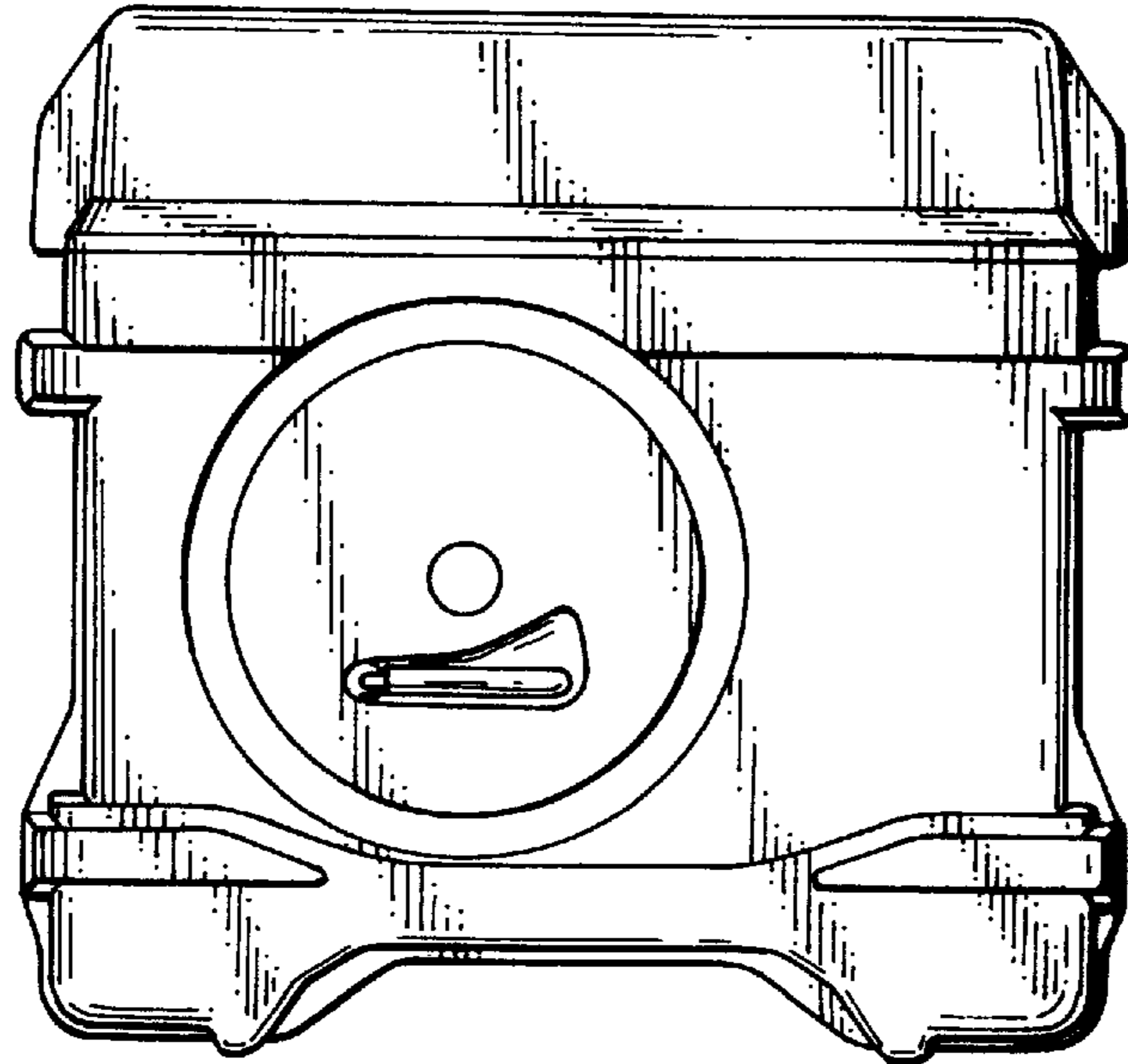


FIG. 4

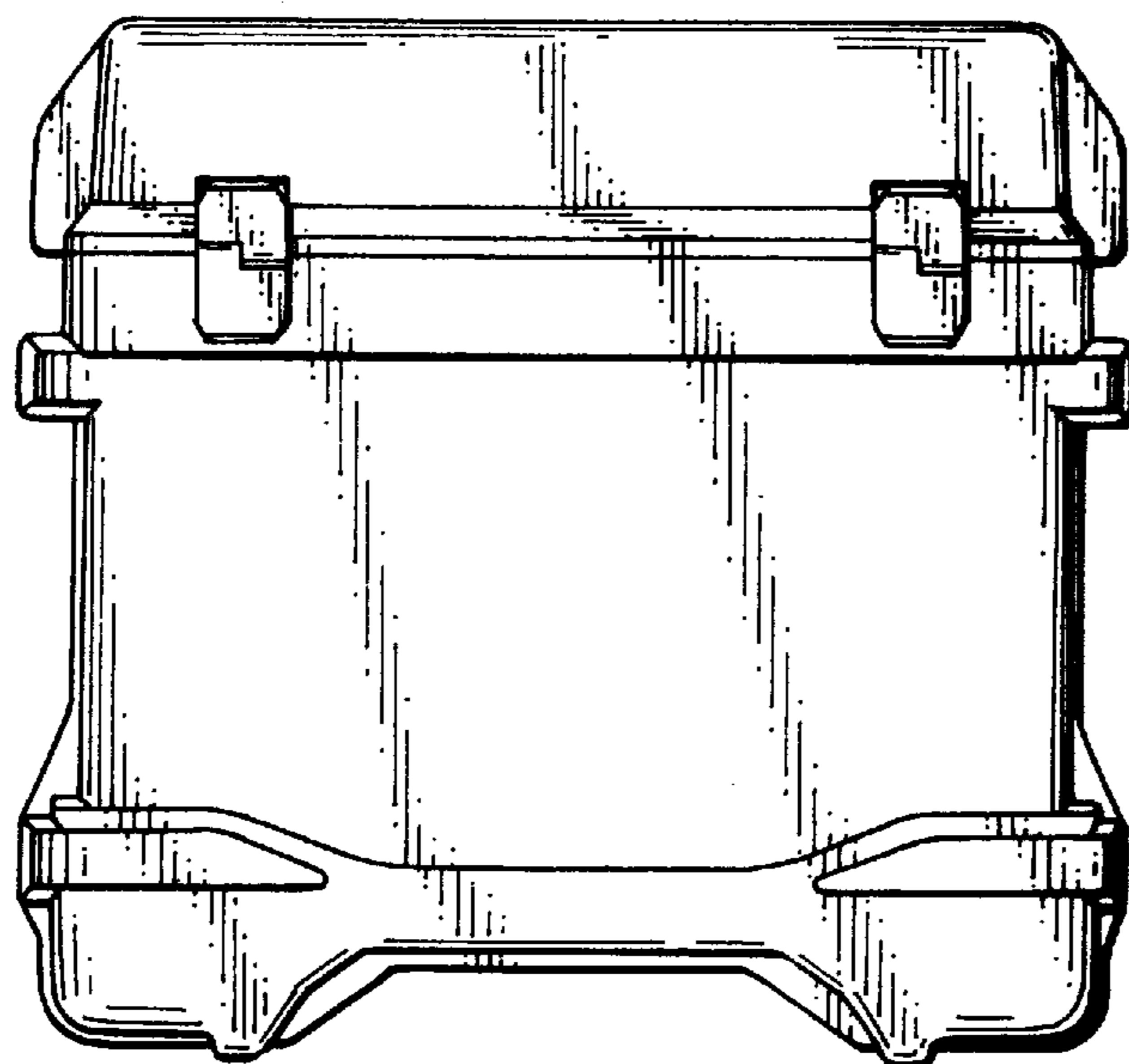


FIG. 5

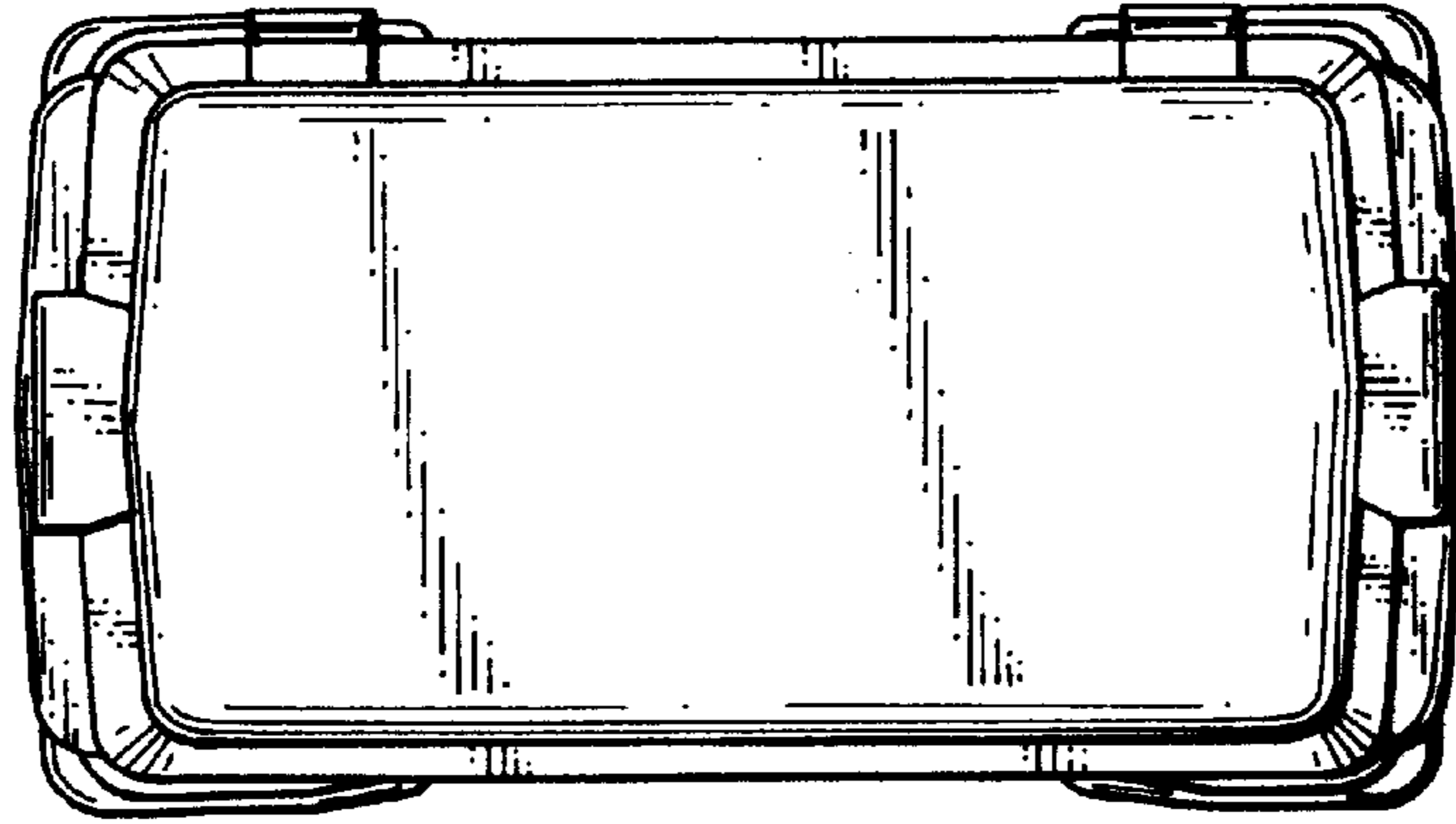


FIG. 6

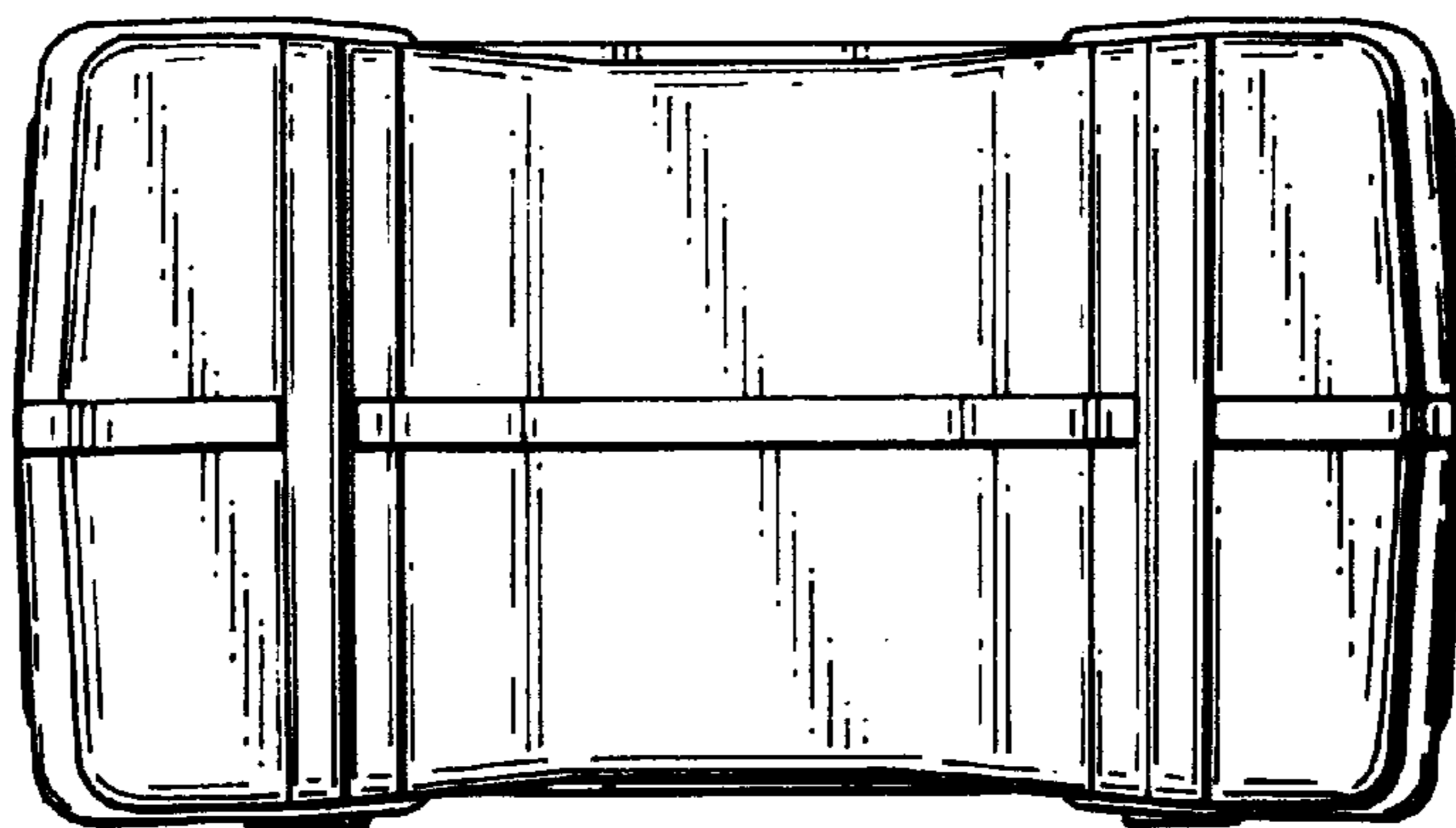


FIG. 7

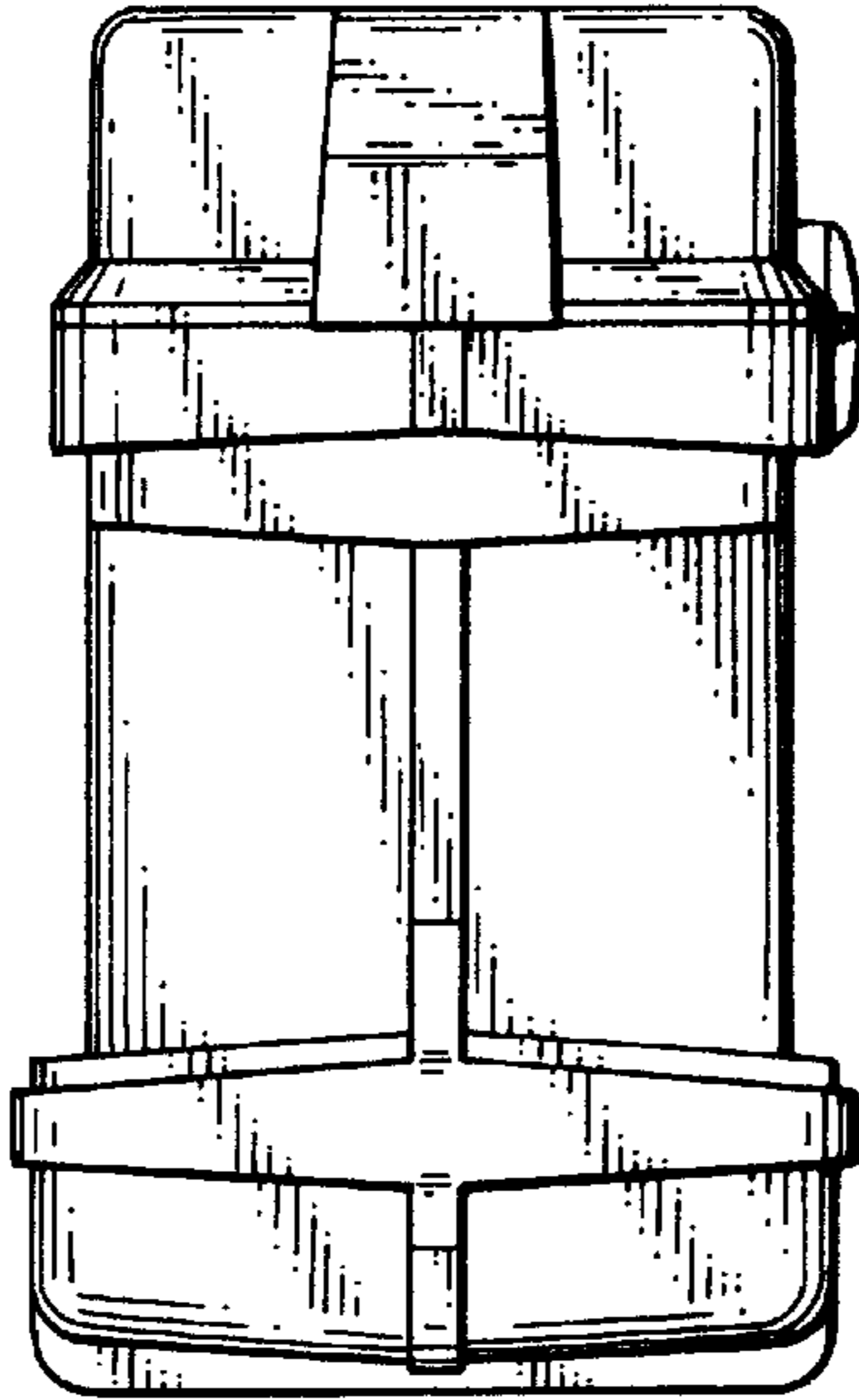


FIG. 8

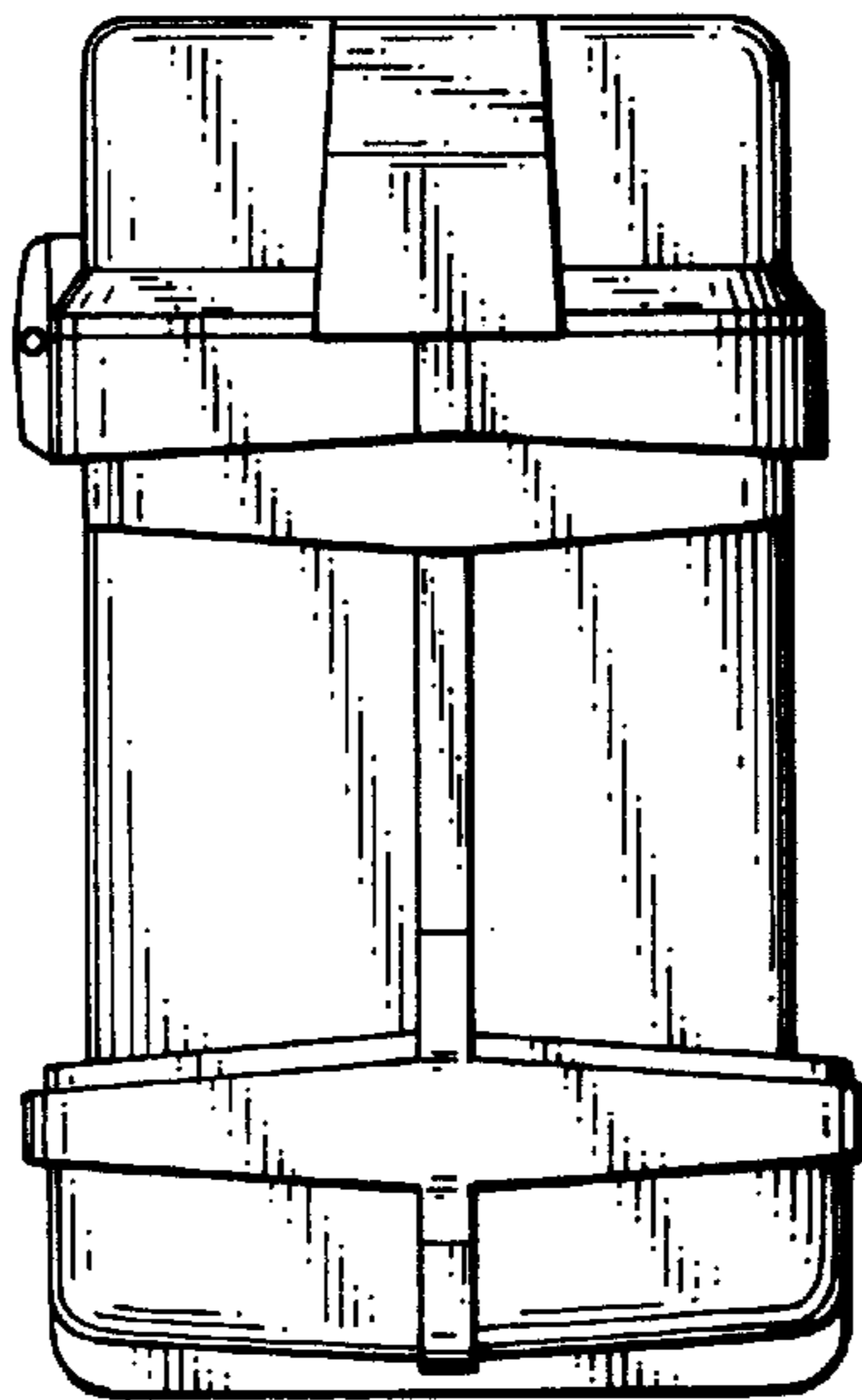


FIG. 9

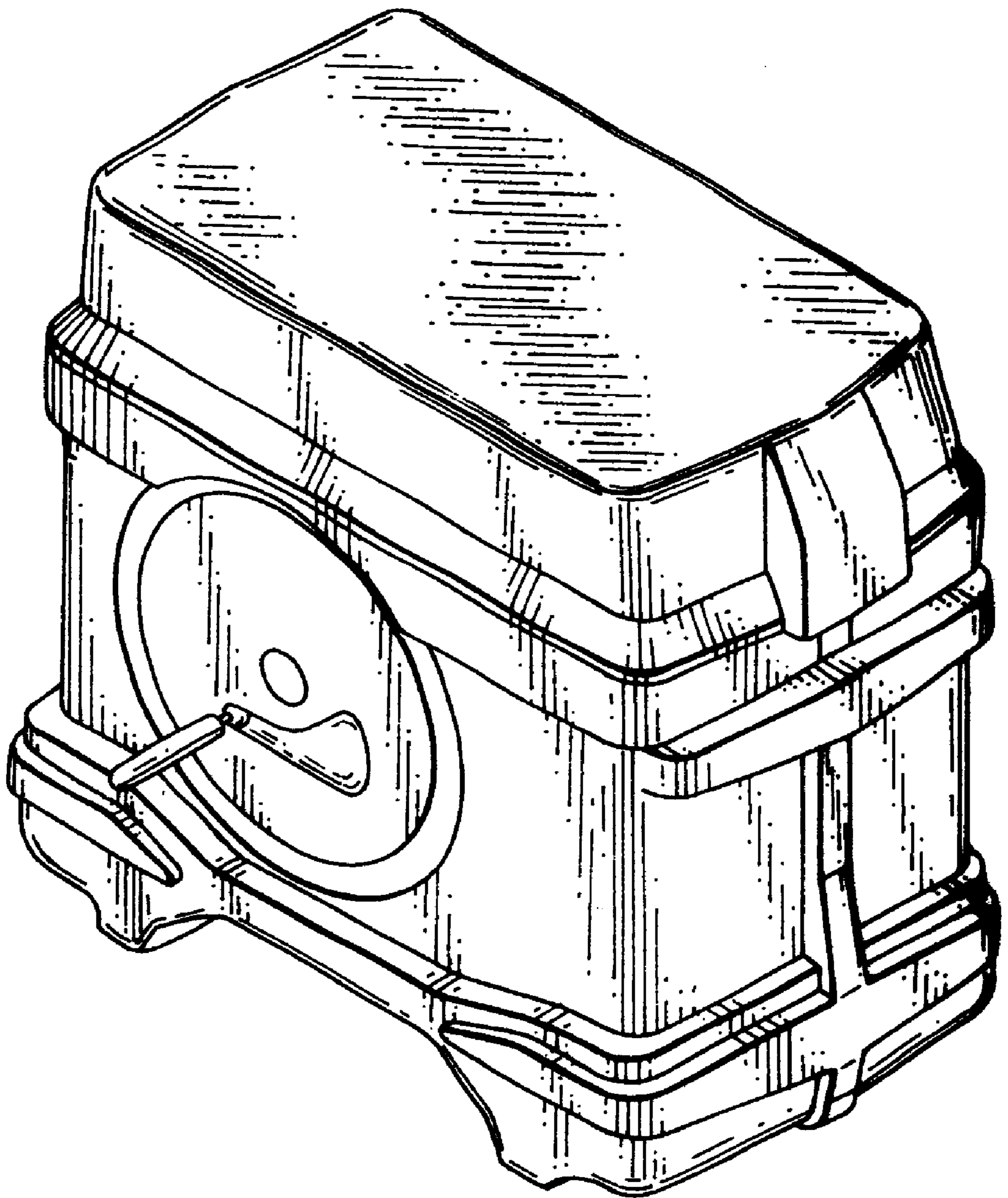


FIG. 10

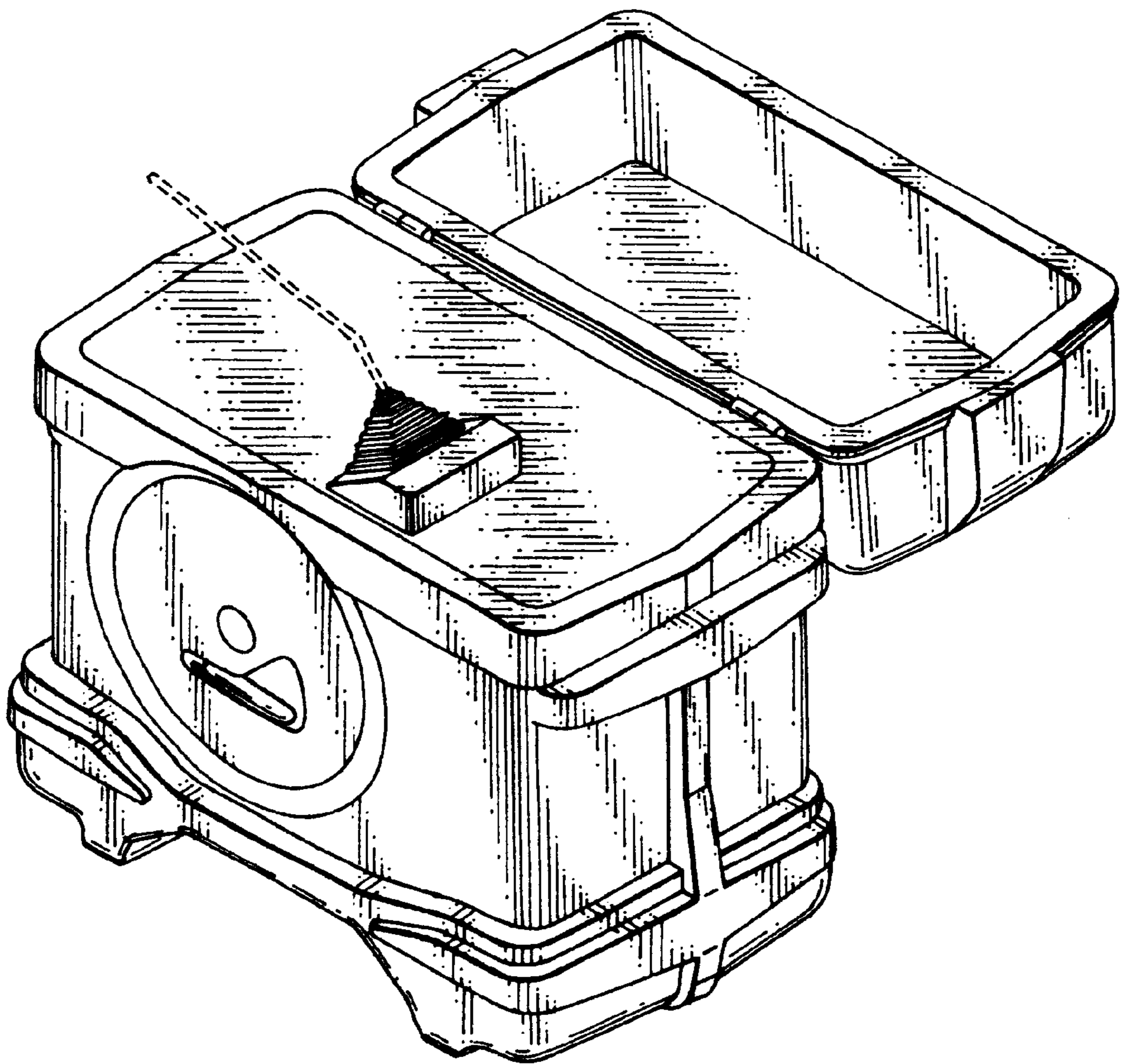




FIG. 11

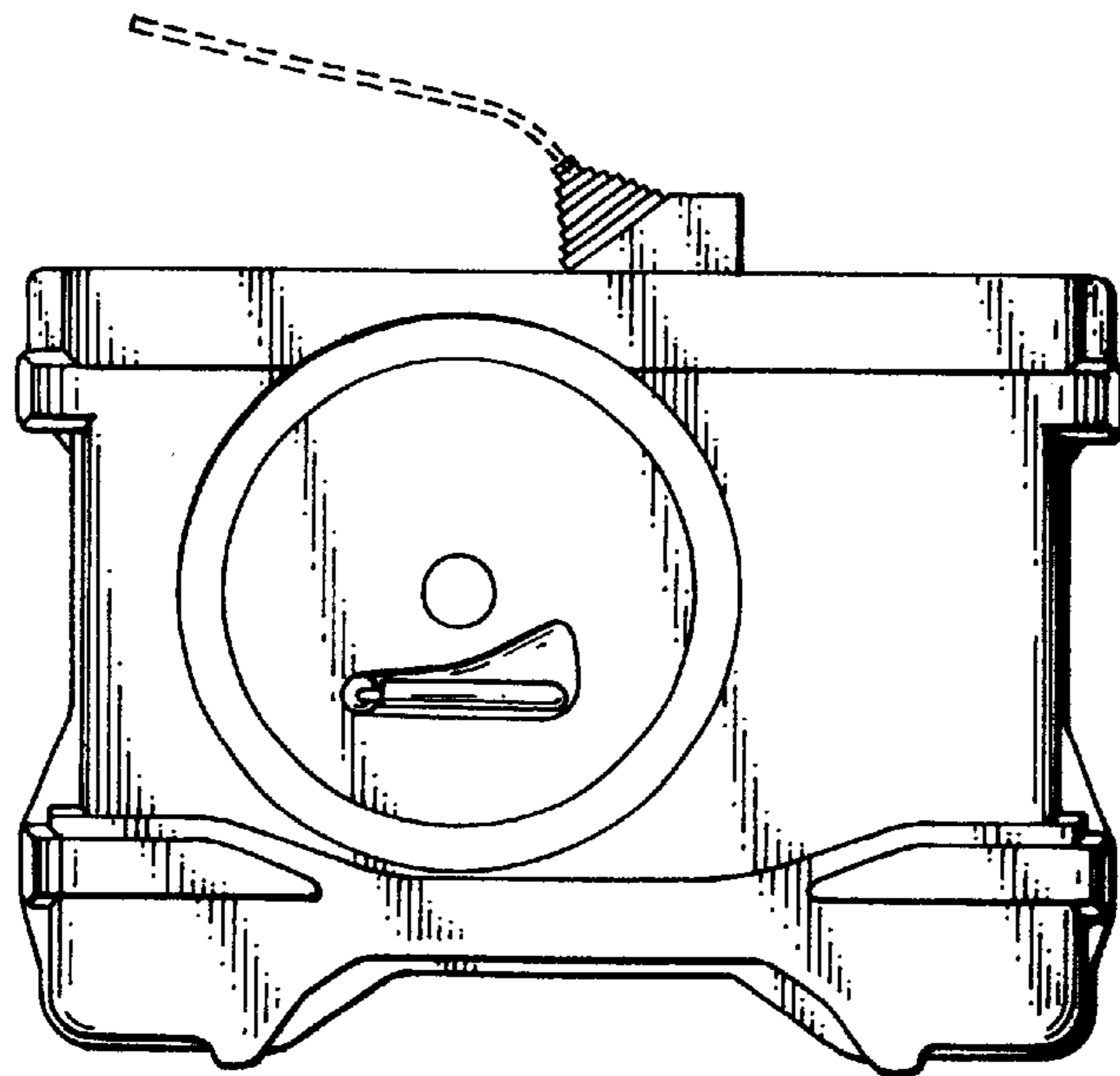


FIG. 12

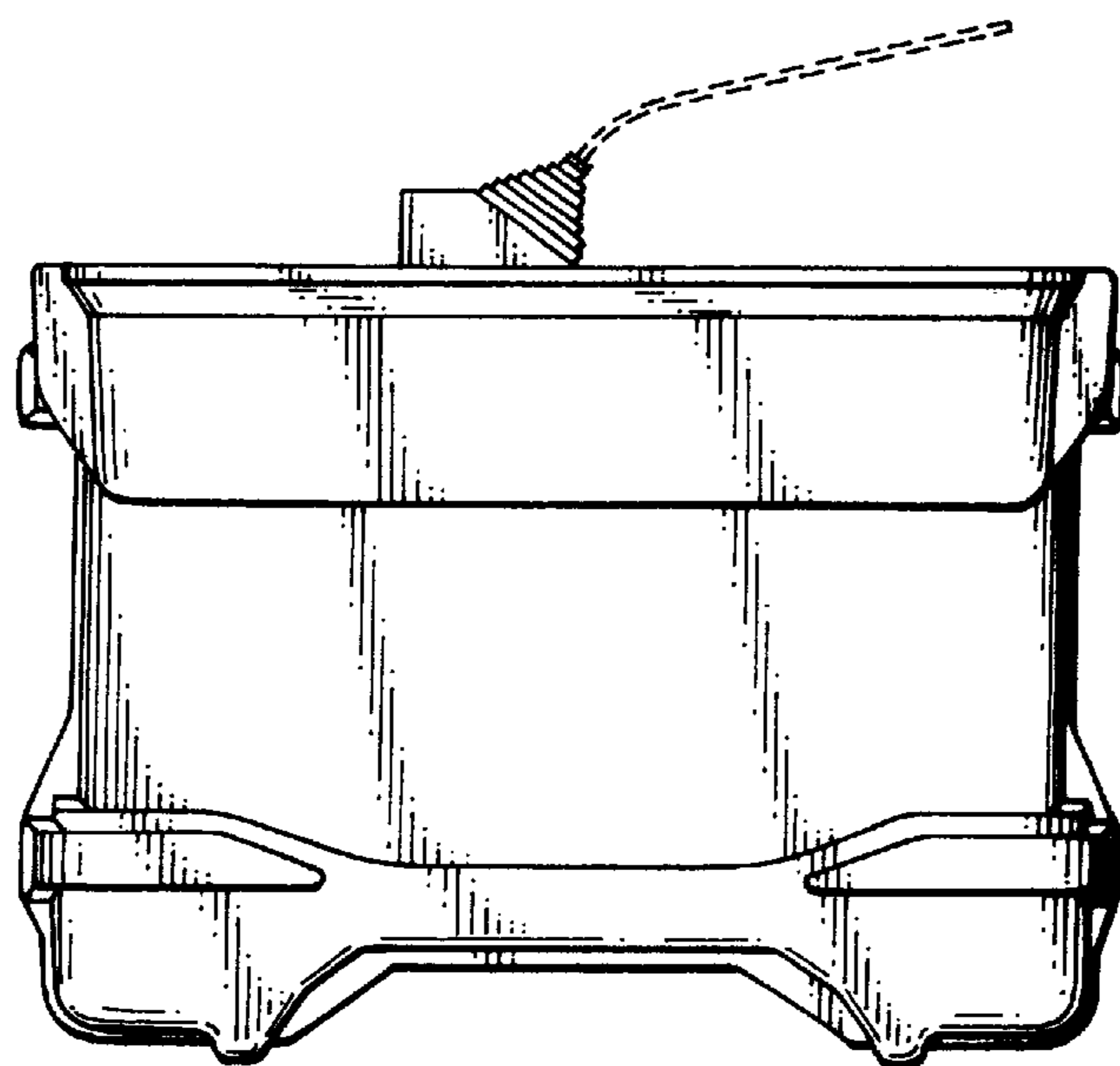


FIG. 13

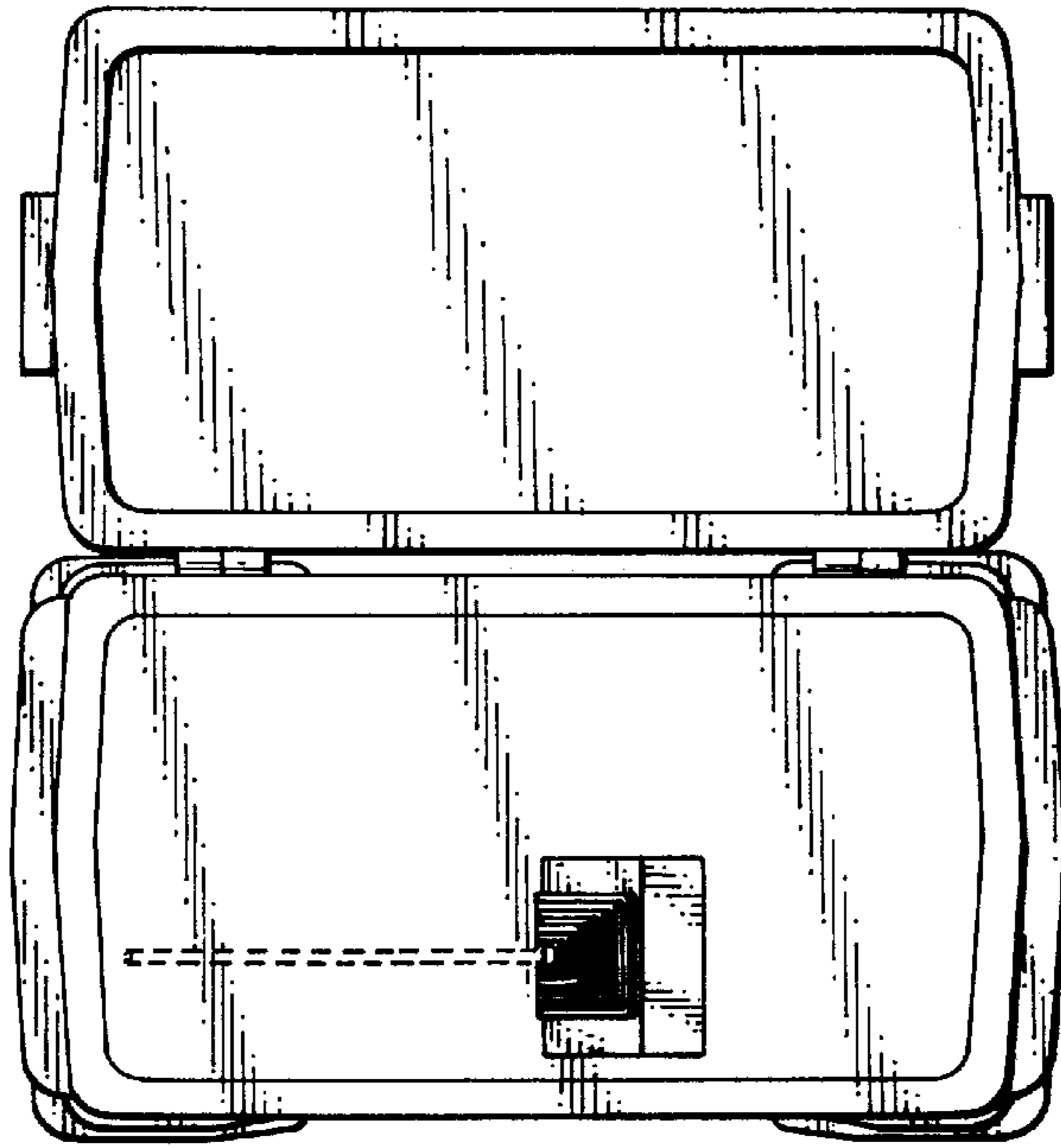


FIG. 14

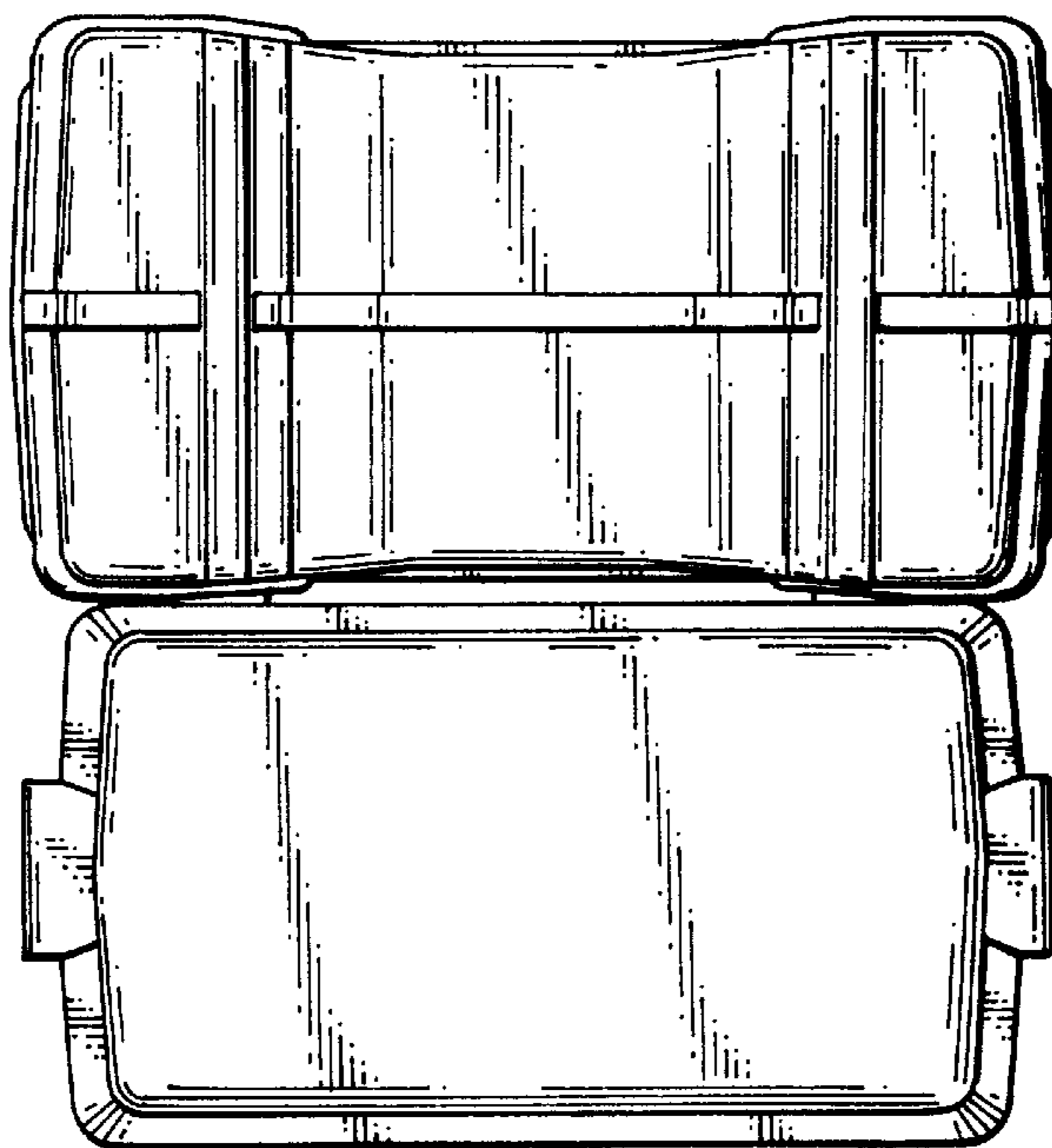


FIG. 15

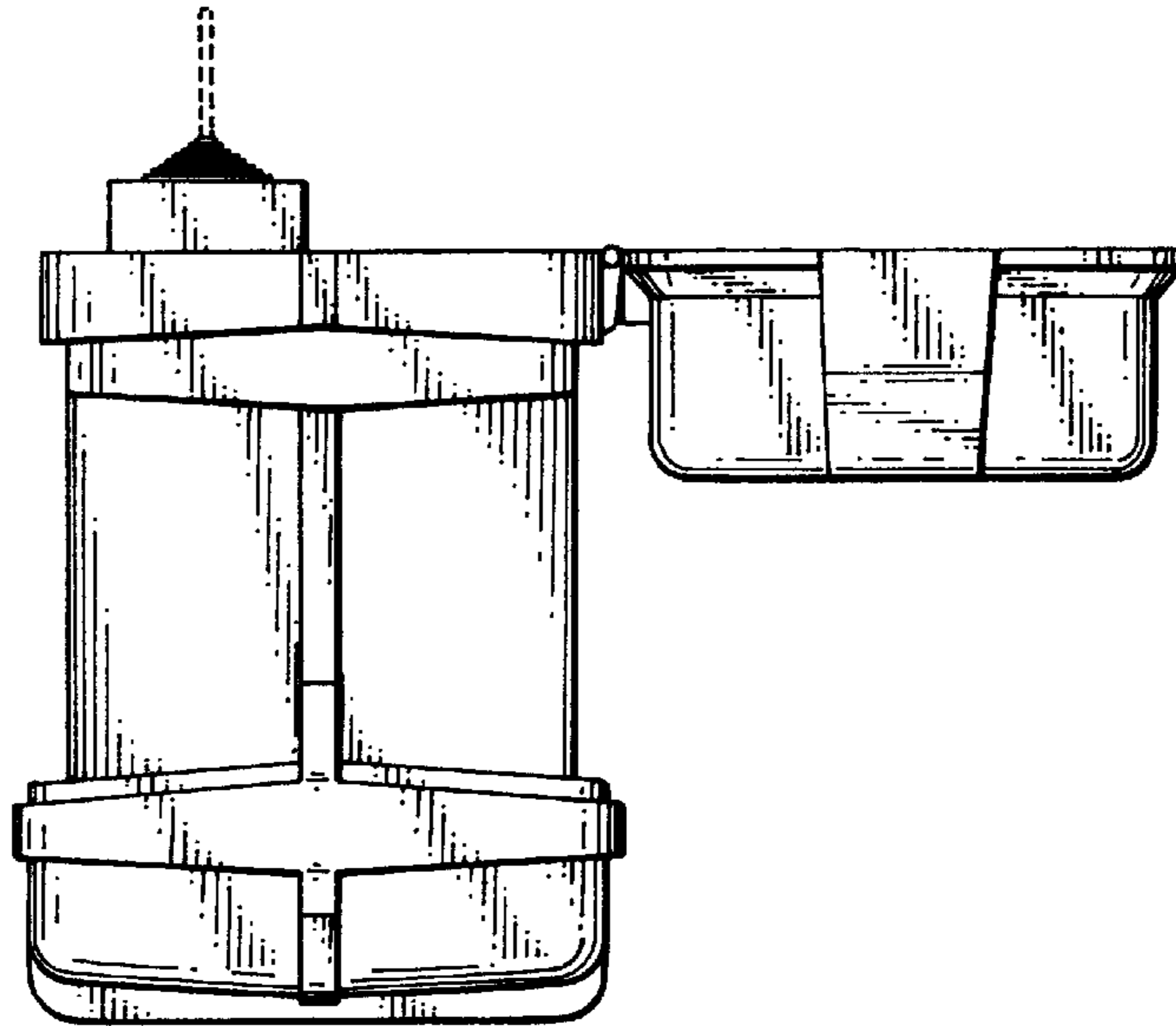


FIG. 16

