



US00D479594S

(12) **United States Design Patent**
Hsieh

(10) **Patent No.:** **US D479,594 S**

(45) **Date of Patent:** **** Sep. 9, 2003**

(54) **CEILING FAN SWITCH HOUSING**

(76) Inventor: **Frank Hsieh**, No. 103, Ta Feng Rd.,
Sheng Kang Hsiang, Taichung Hsien
(TW)

(**) Term: **14 Years**

(21) Appl. No.: **29/172,062**

(22) Filed: **Dec. 4, 2002**

(51) **LOC (7) Cl.** **23-04**

(52) **U.S. Cl.** **D23/411**

(58) **Field of Search** D23/411, 377,
D23/379, 385; 416/5; 392/364

(56) **References Cited**

U.S. PATENT DOCUMENTS

D399,556 S * 10/1998 Tsuji D23/411

* cited by examiner

Primary Examiner—Lisa Lichtenstein

(74) *Attorney, Agent, or Firm*—Pro-Techtor International
Services

(57) **CLAIM**

The ornamental design for a ceiling fan switch housing, as
shown and described.

DESCRIPTION

FIG. 1 is a perspective view of a ceiling fan switch housing
showing my new design;

FIG. 2 is a front view thereof;

FIG. 3 is a rear view thereof;

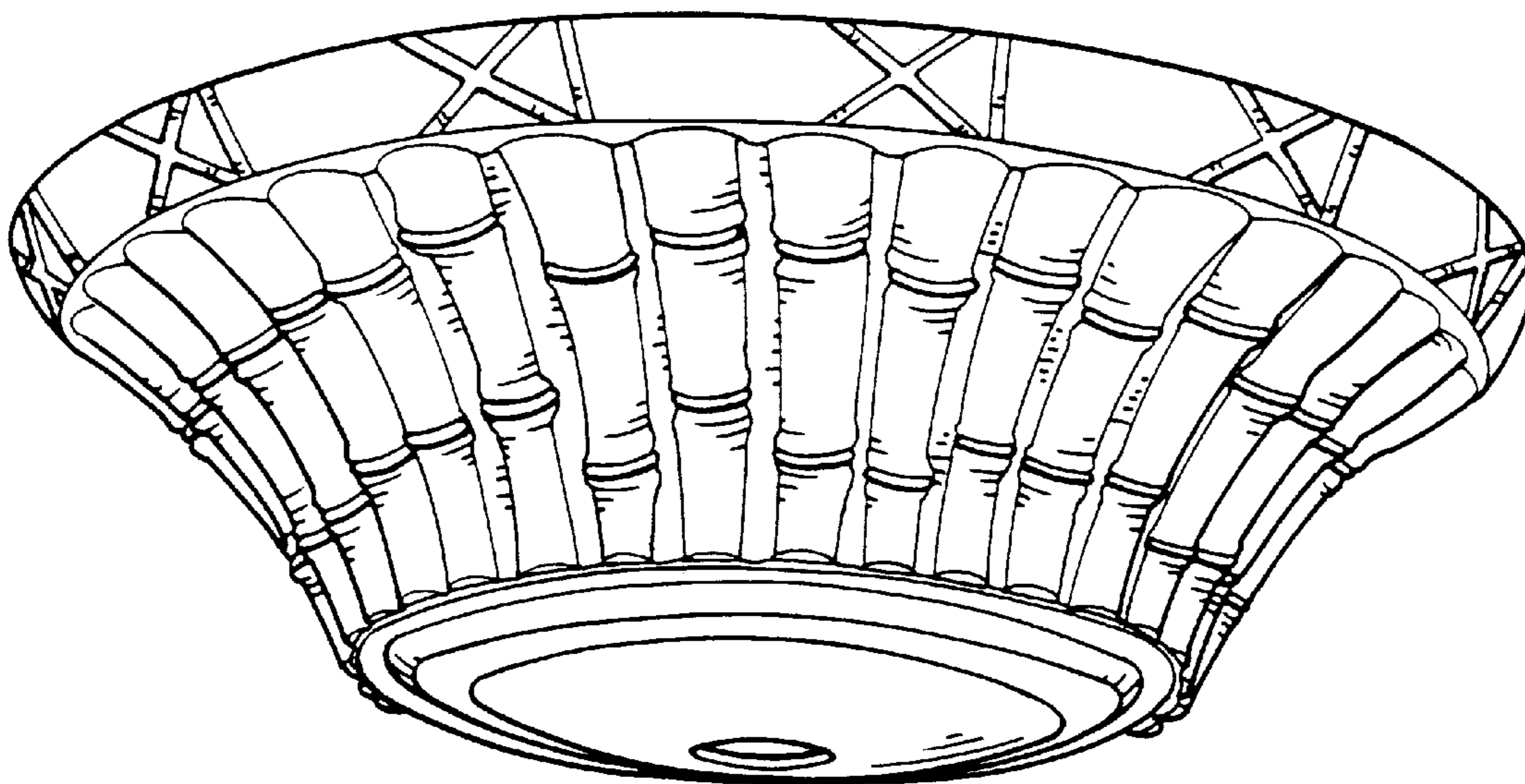
FIG. 4 is a right view thereof;

FIG. 5 is a left view thereof;

FIG. 6 is a top view thereof; and,

FIG. 7 is a bottom view thereof.

1 Claim, 7 Drawing Sheets



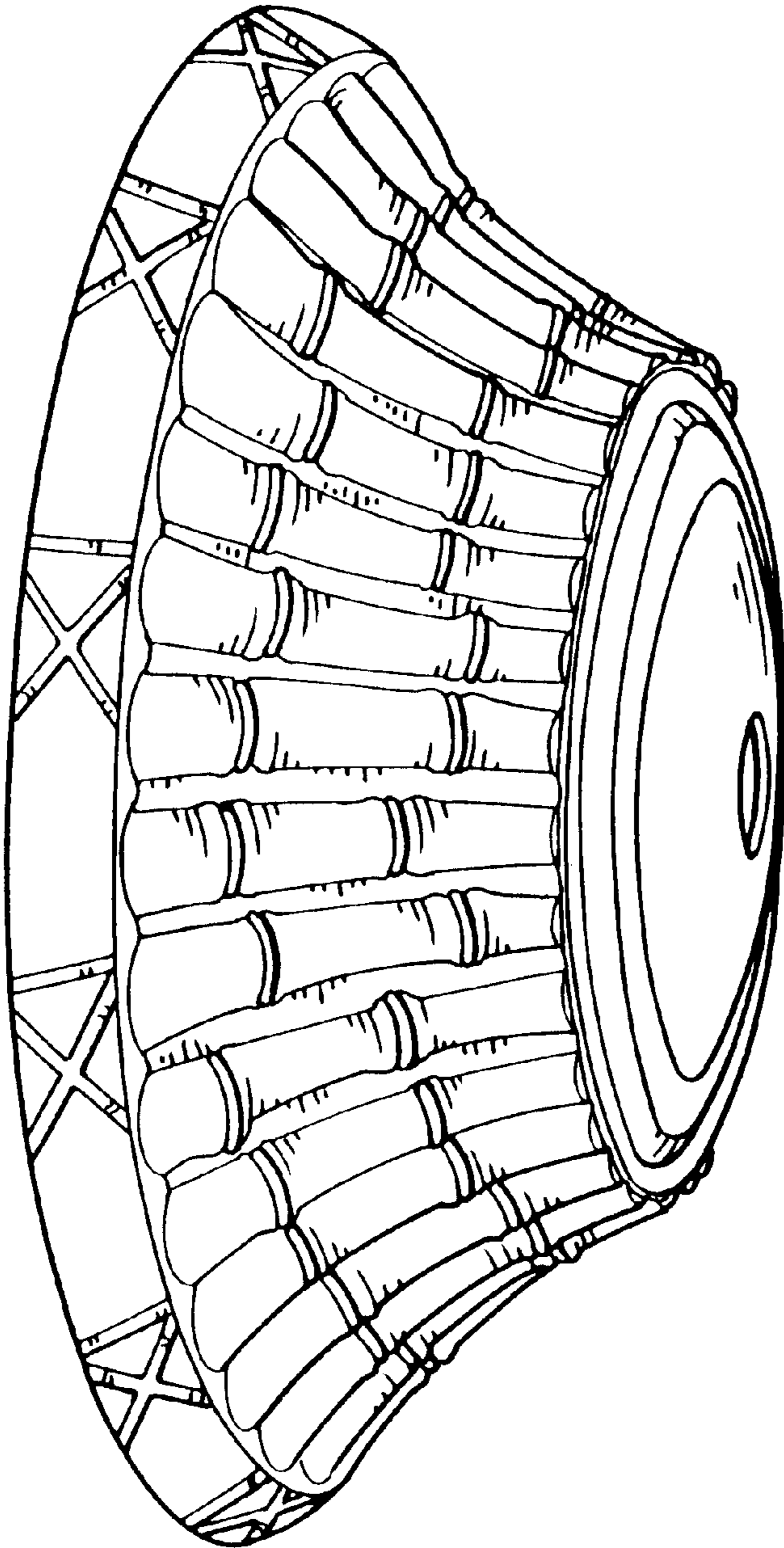


Fig.1

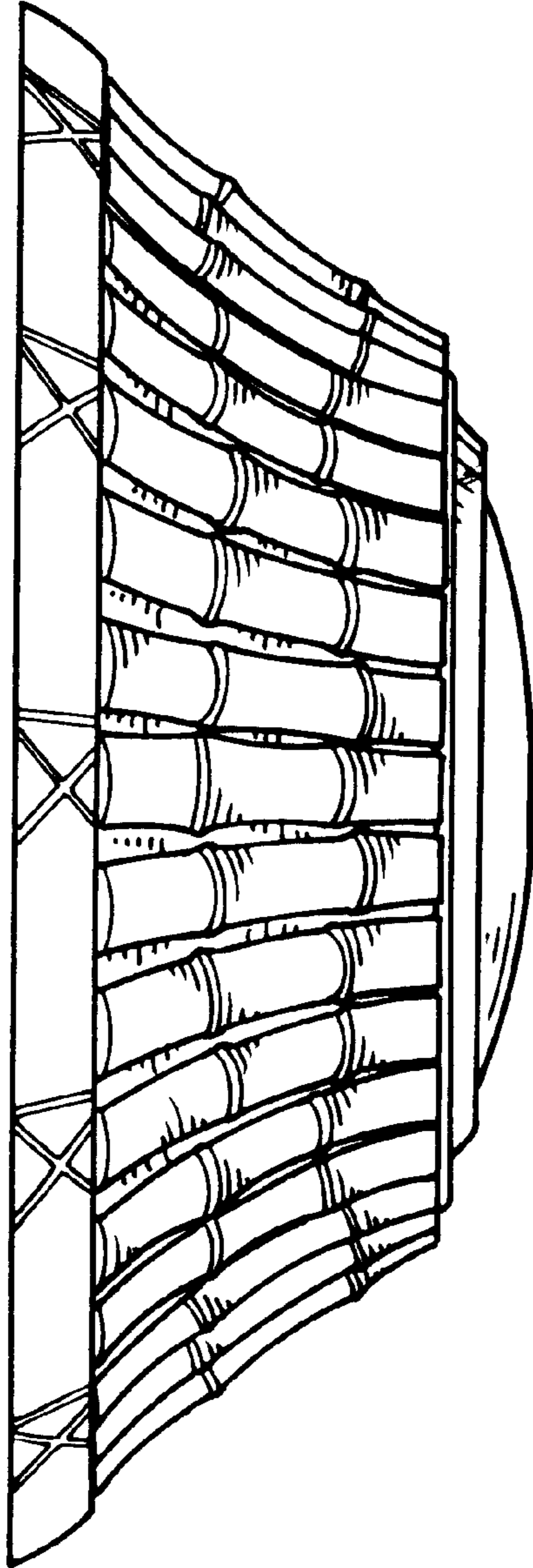


Fig.2

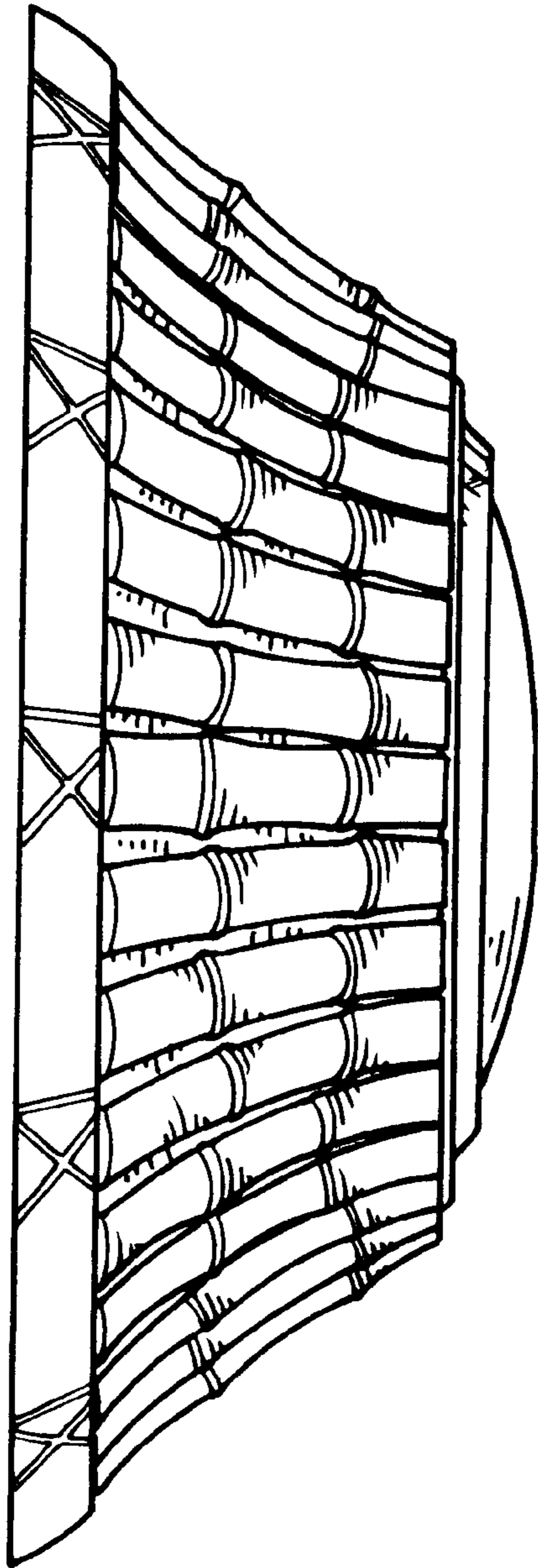


Fig. 3

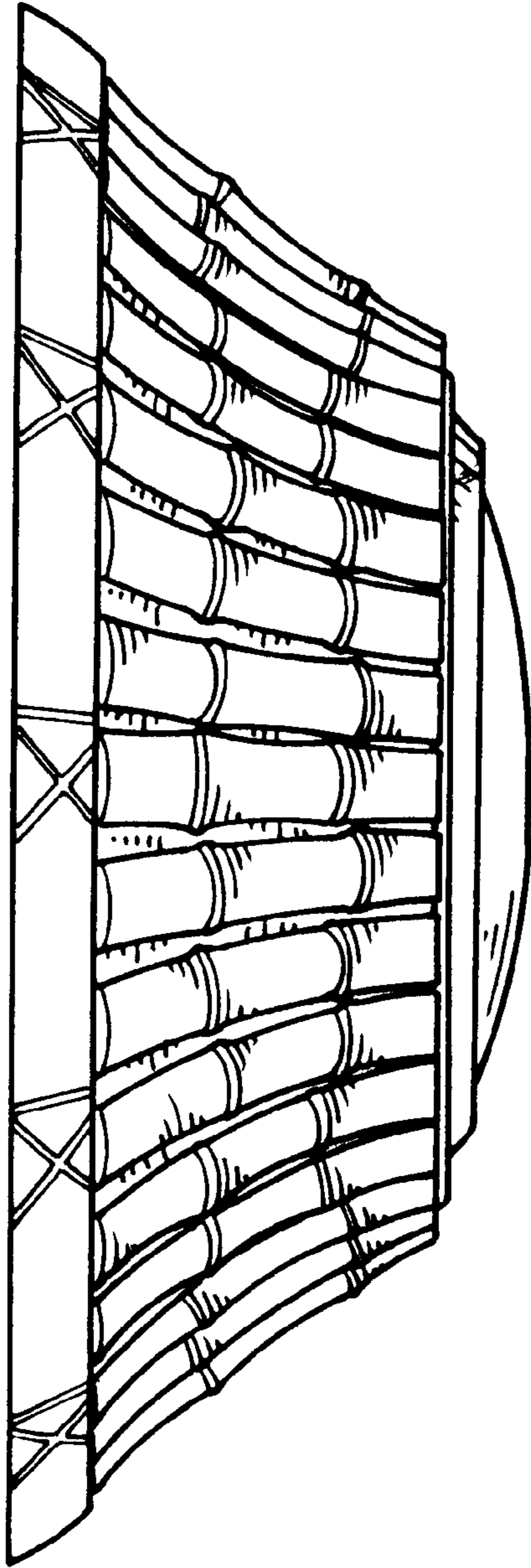


Fig.4

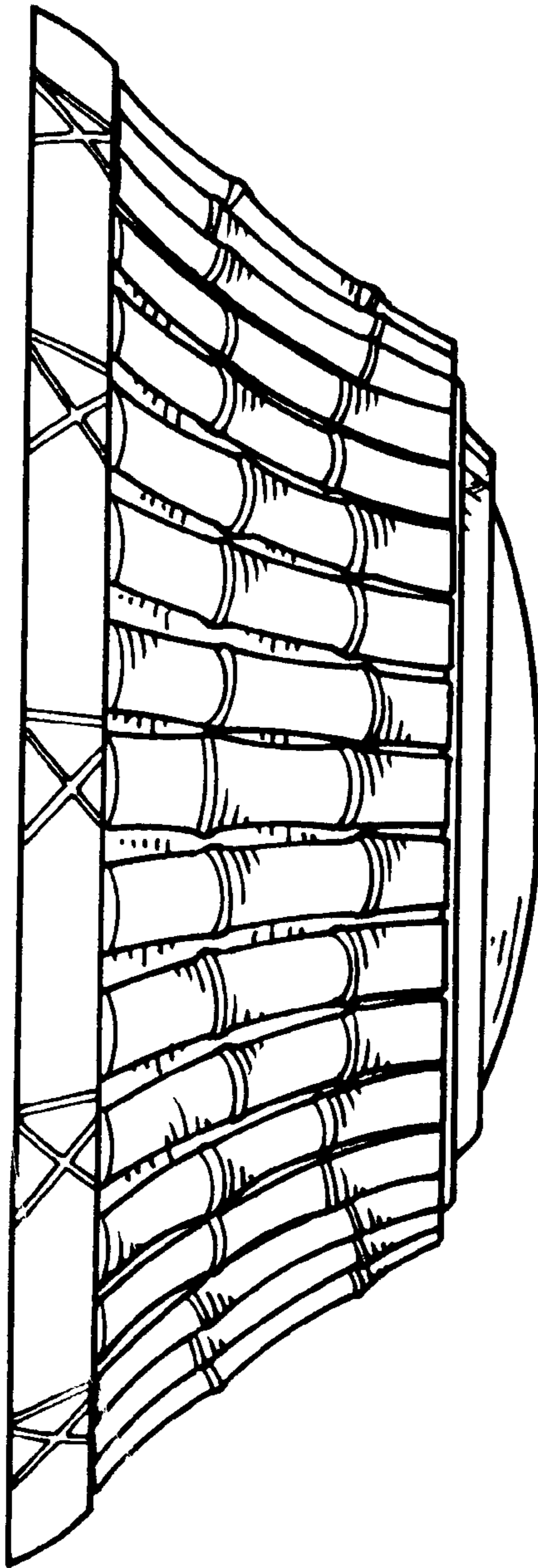


Fig. 5

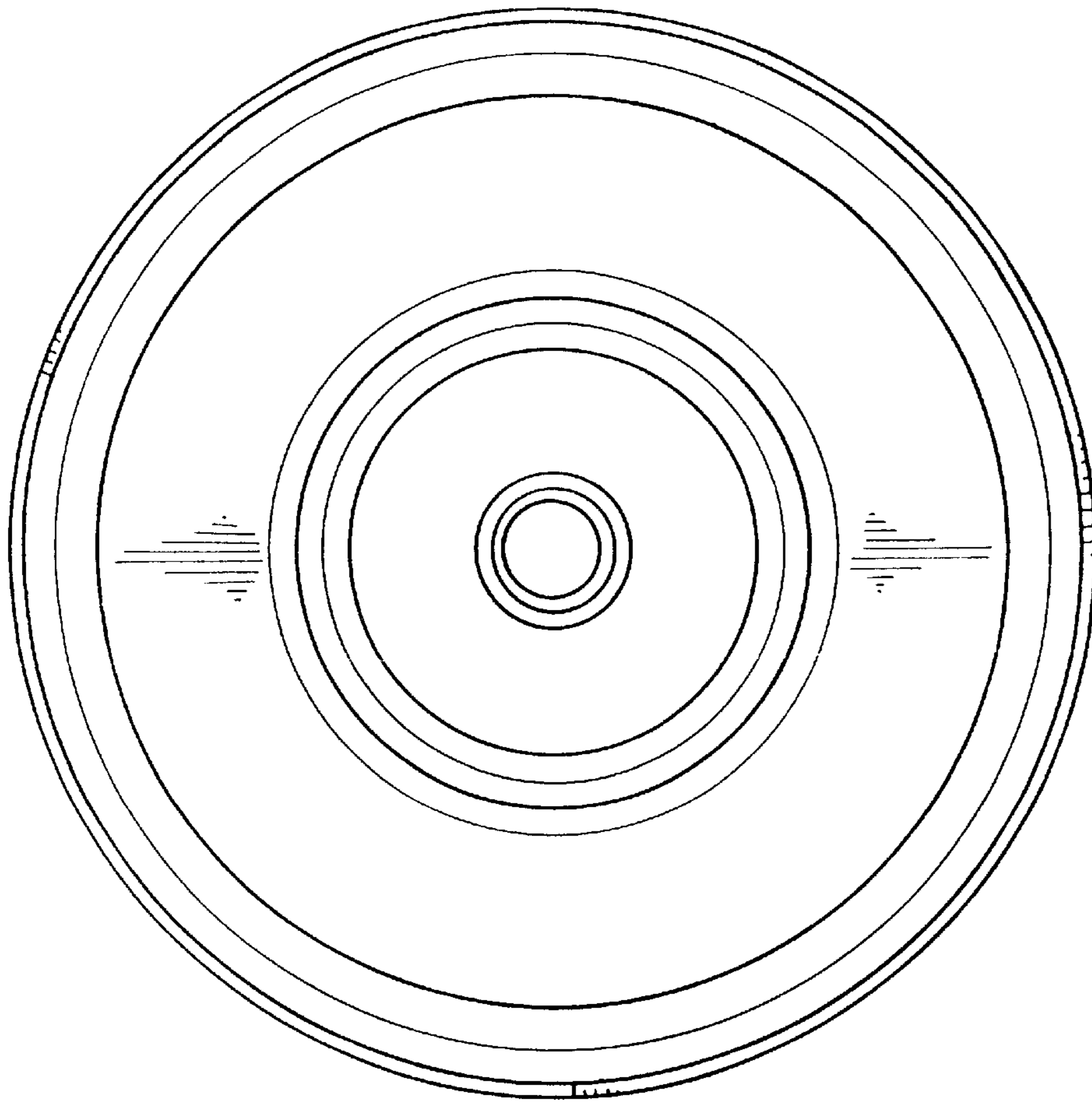


Fig.6

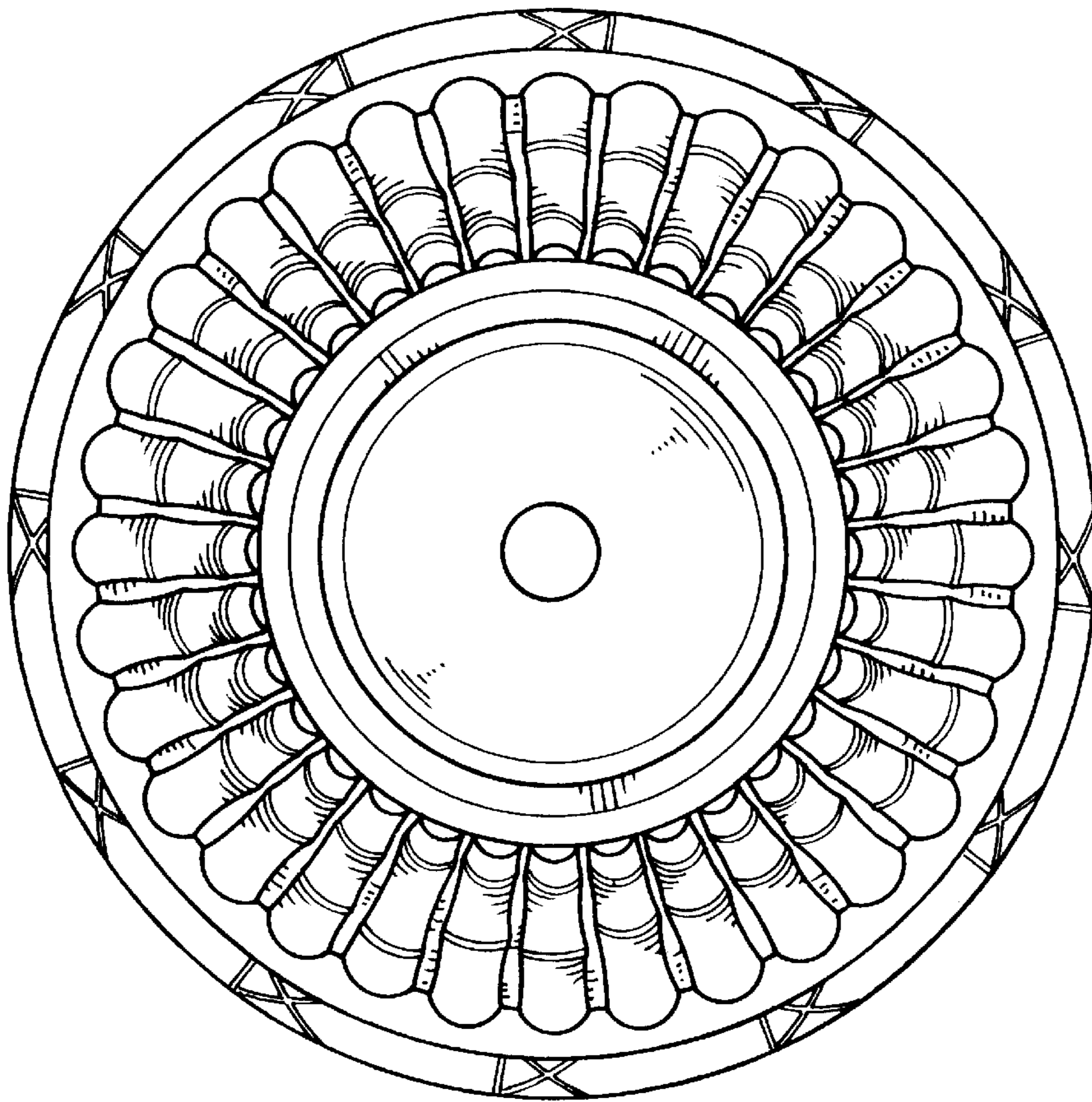


Fig. 7