



US00D479587S

(12) **United States Design Patent**
Smith

(10) **Patent No.:** **US D479,587 S**

(45) **Date of Patent:** **** Sep. 9, 2003**

(54) **LAVATORY**

(75) Inventor: **Michael S. Smith**, Santa Monica, CA (US)

(73) Assignee: **Kallista, Inc.**, Kohler, WI (US)

(**) Term: **14 Years**

(21) Appl. No.: **29/158,609**

(22) Filed: **Apr. 4, 2002**

(51) **LOC (7) Cl.** **23-02**

(52) **U.S. Cl.** **D23/292**

(58) **Field of Search** D23/272-274,
D23/284, 289, 292, 293.1, 303, 308; 4/619-620,
623-627, 638, 643-652, 660, 661

(56) **References Cited**

U.S. PATENT DOCUMENTS

D76,918 S	11/1928	Crane, II	
D95,378 S	* 4/1935	Morgan	D23/293.1
D139,483 S	* 11/1944	Trombley	D23/293.1
D160,767 S	* 11/1950	Brown, Jr.	D23/291
D407,470 S	* 3/1999	McKeone	D23/292

OTHER PUBLICATIONS

1999 Kallista catalog ad, p. 46, showing a "Hampstead" lavatory.

2000 Kohler catalog ad, p. 14.17, showing "Memiors" lavatories.

* cited by examiner

Primary Examiner—Louis S. Zarfes

Assistant Examiner—Robert A. Delehanty

(74) *Attorney, Agent, or Firm*—Quarles & Brady LLP

(57) **CLAIM**

The ornamental design for a lavatory, as shown and described.

DESCRIPTION

FIG. 1 is a left, top, front perspective view of a lavatory embodying my new design;

FIG. 2 is a top plan view thereof;

FIG. 3 is a front elevational view thereof;

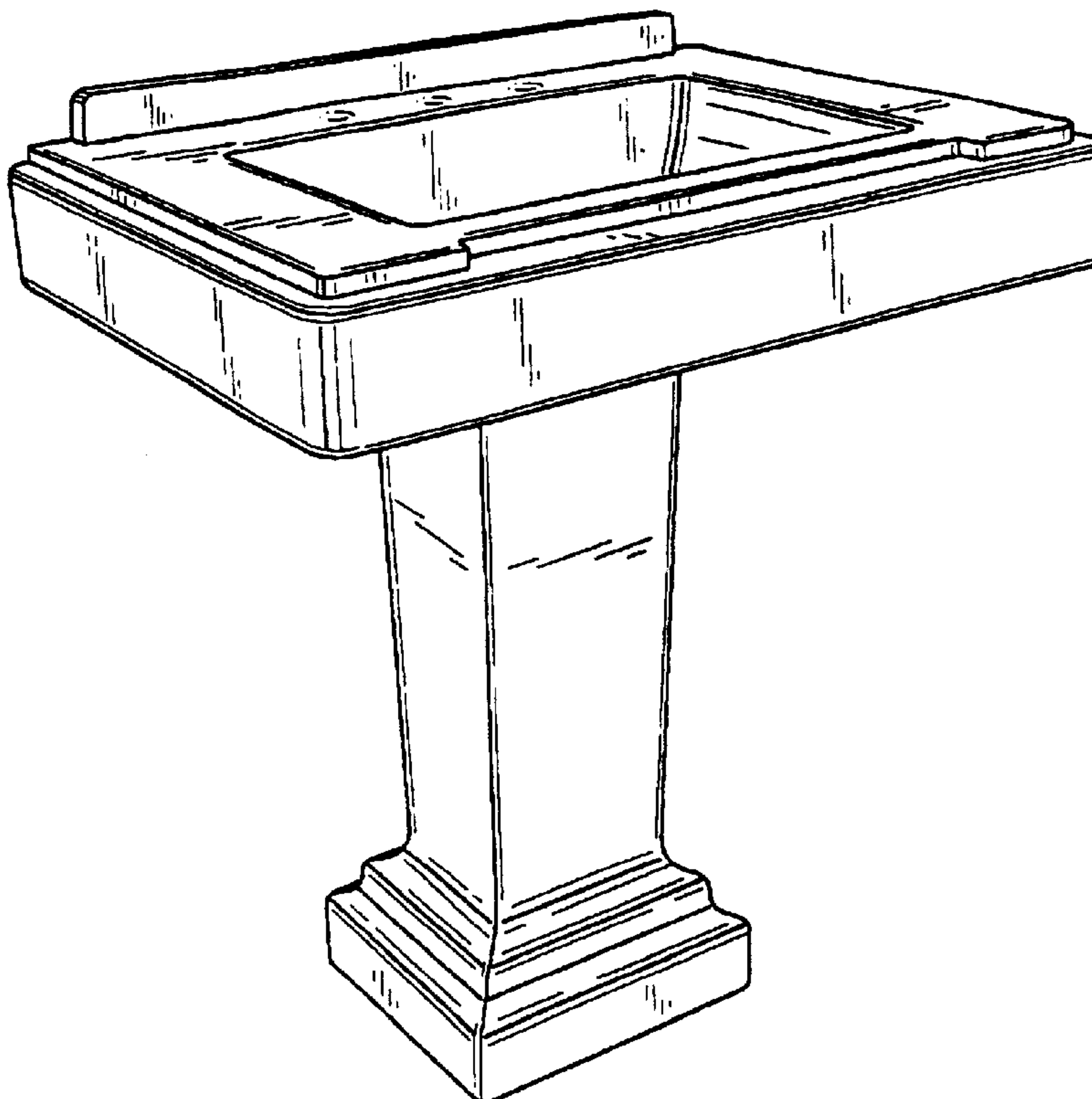
FIG. 4 is a left side elevational view thereof, the right side elevational view being a mirror image of the left side shown;

FIG. 5 is a rear elevational view thereof (which is shown for illustration only as this is normally not visible during use or marketing); and,

FIG. 6 is a bottom plan view thereof.

The broken line representations of holes in FIGS. 1 and 2, and of wall structure in FIG. 6, are for the purpose of illustration only, and form no part of the claimed design.

1 Claim, 3 Drawing Sheets



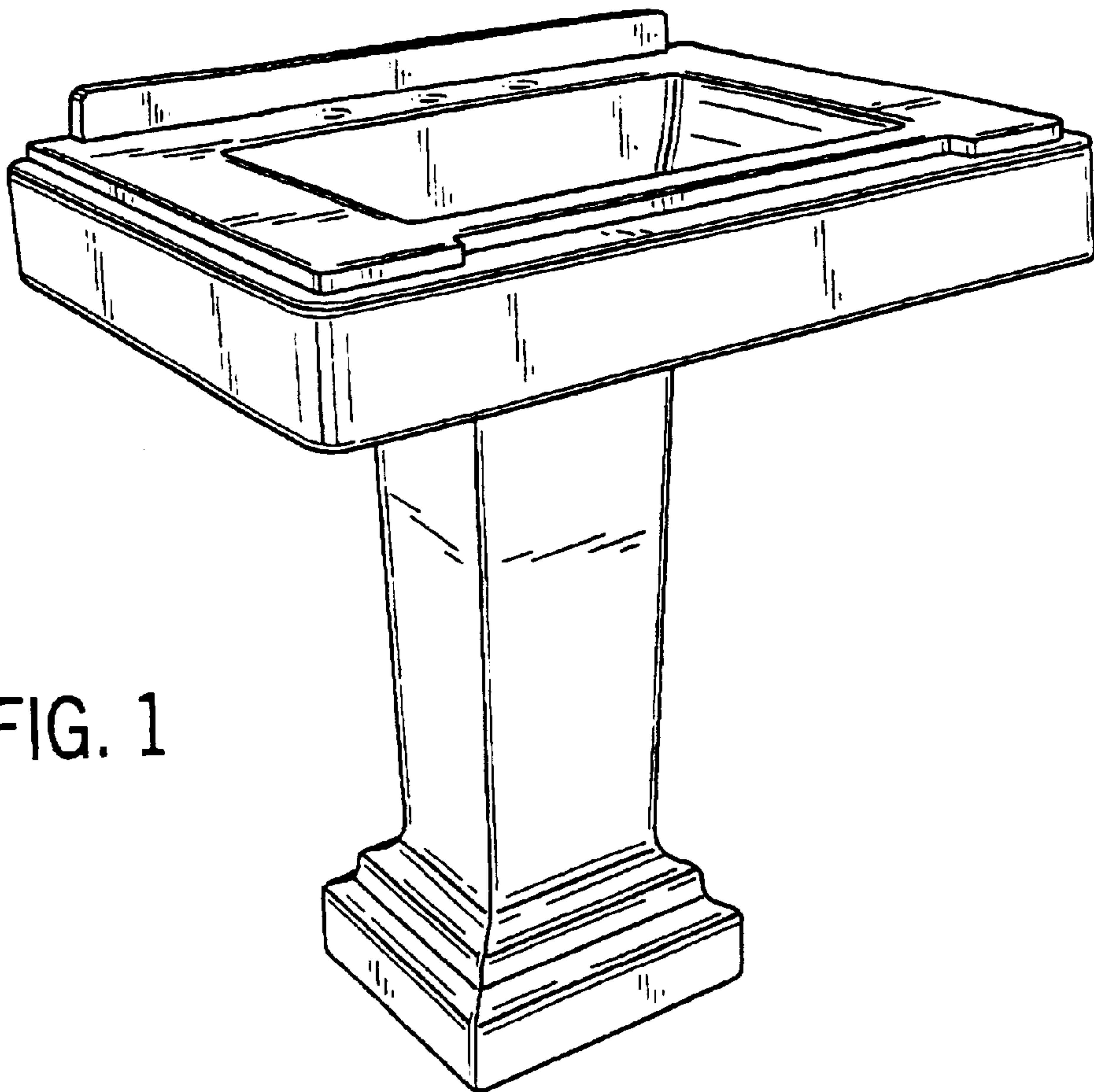


FIG. 1

FIG. 2

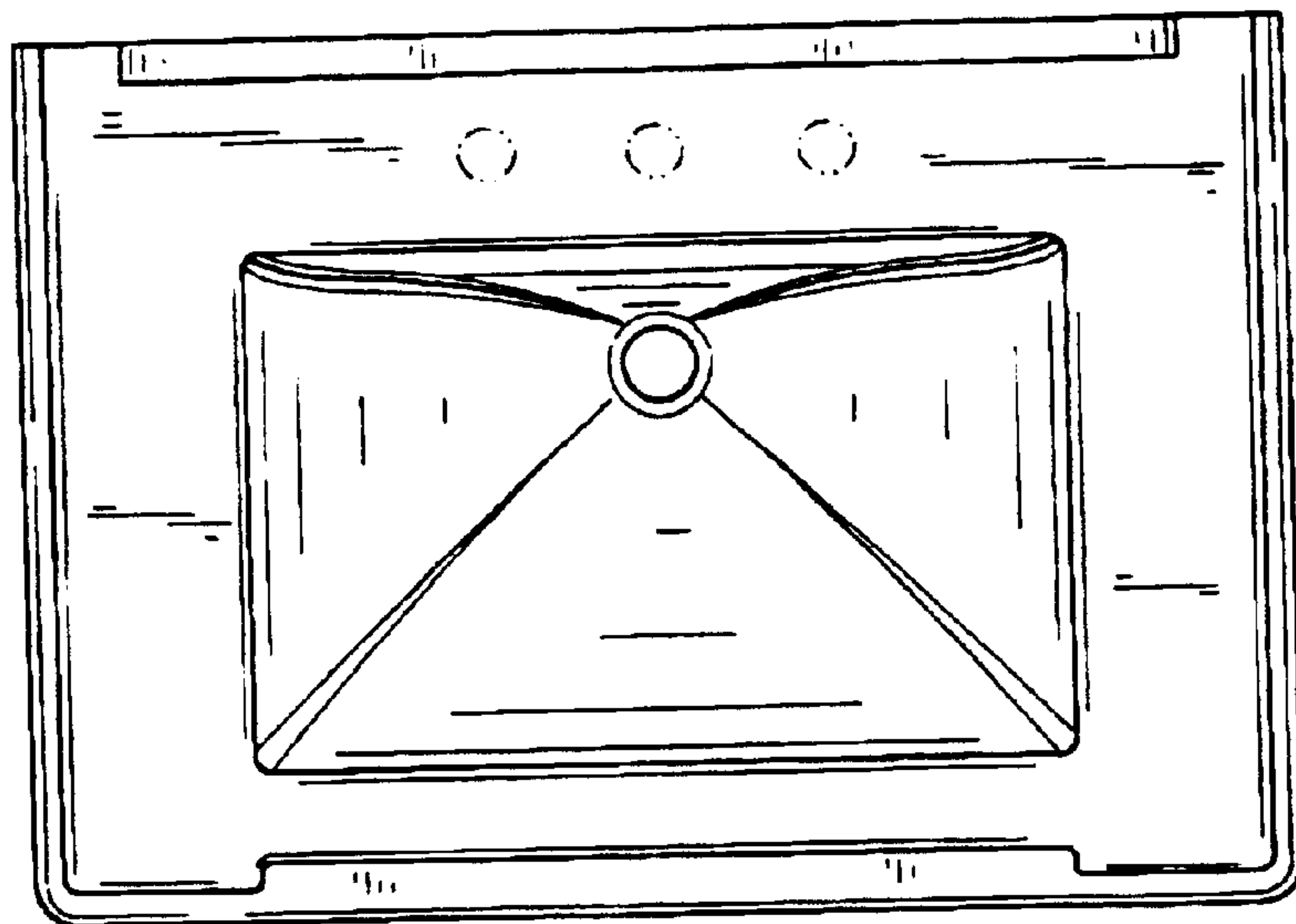


FIG. 3

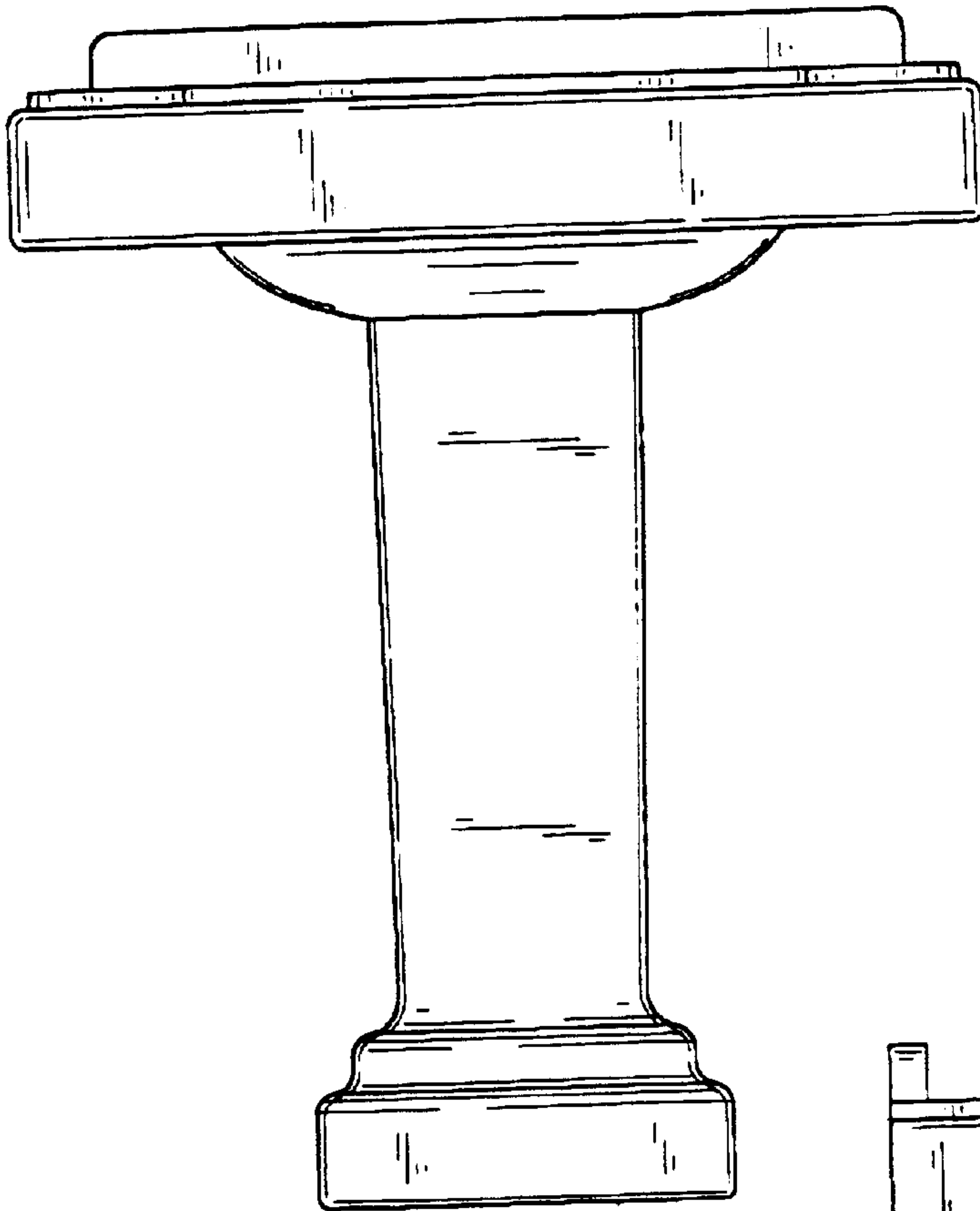


FIG. 4

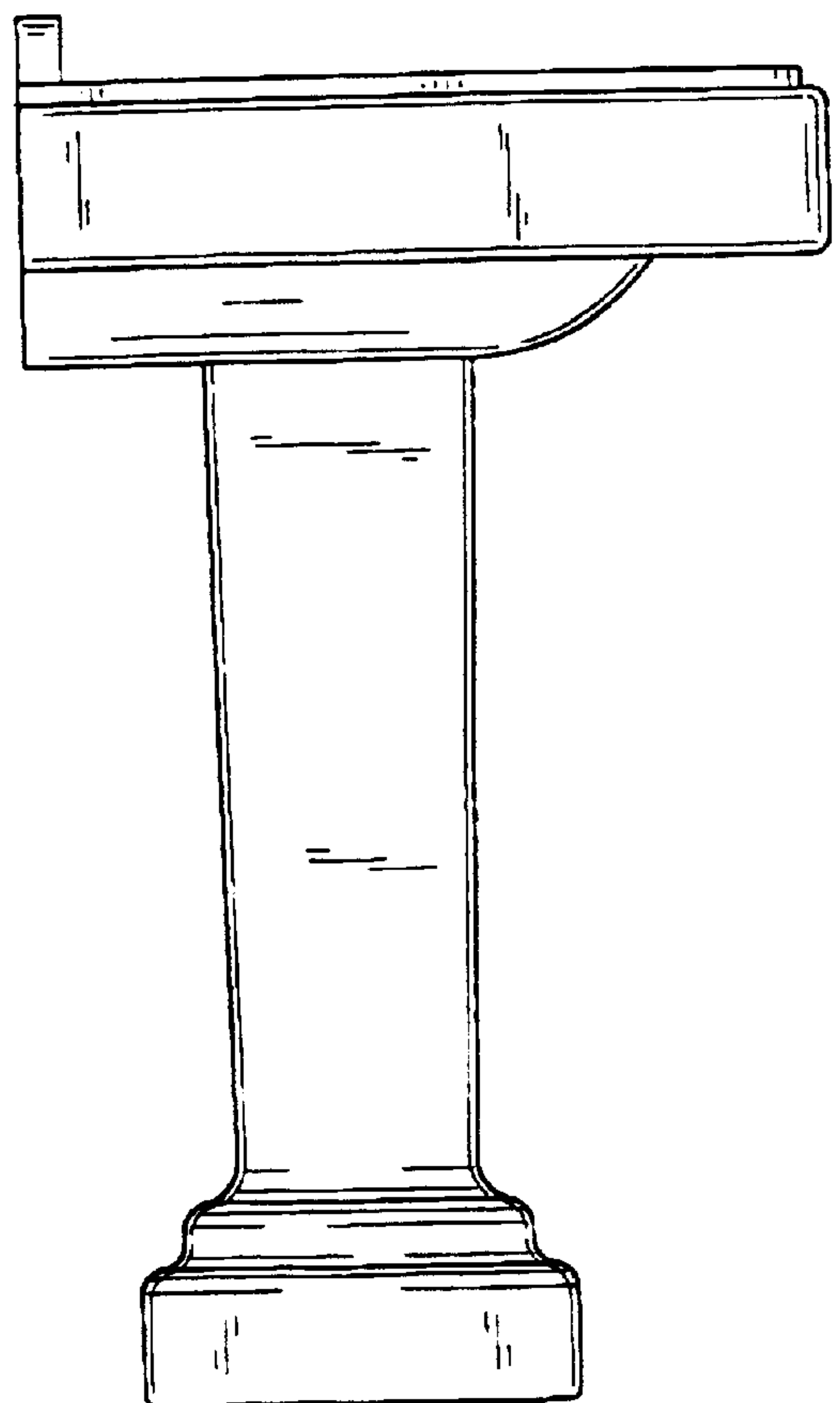


FIG. 5

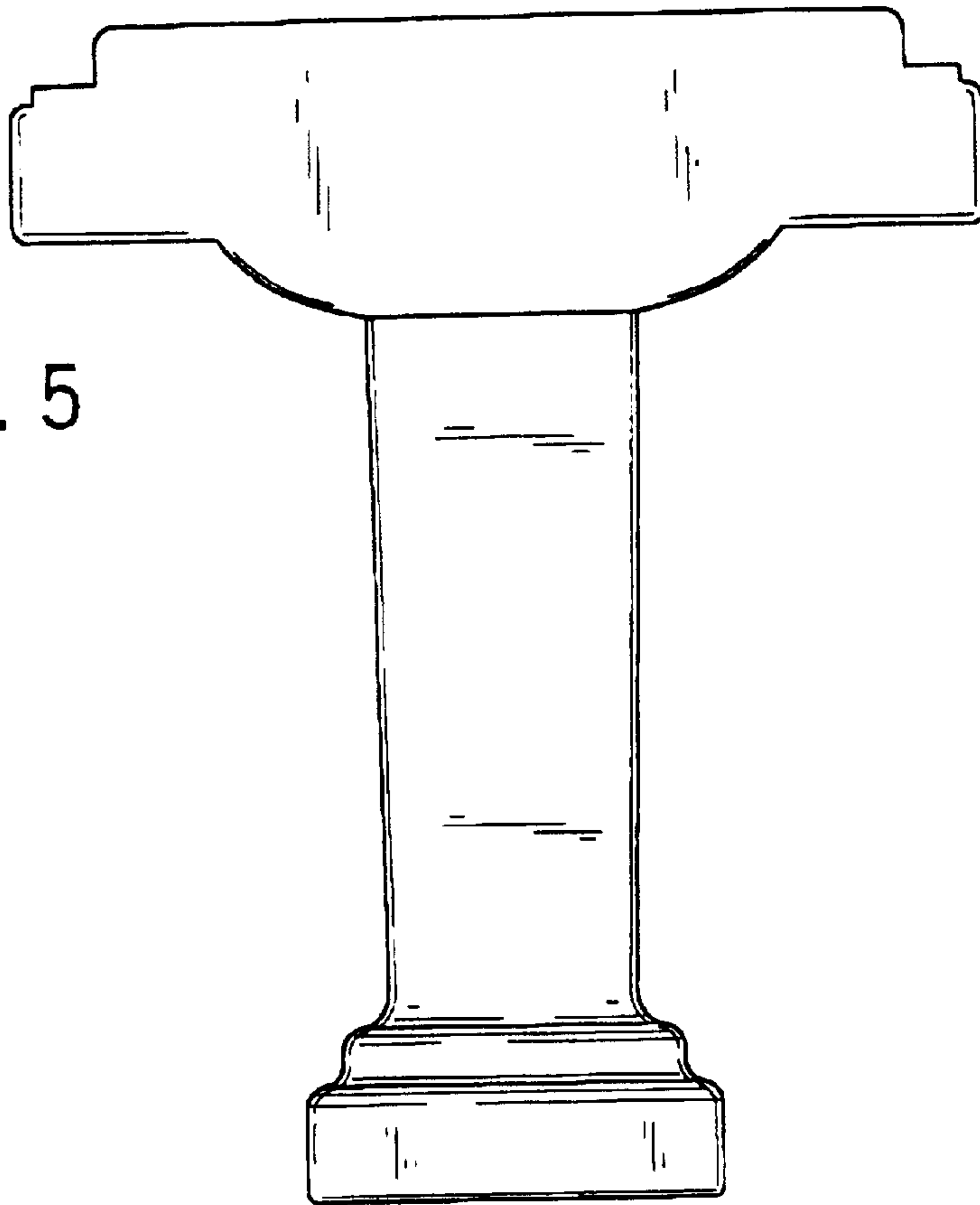


FIG. 6

