



US00D479586S

(12) **United States Design Patent**
Piatt

(10) **Patent No.:** **US D479,586 S**

(45) **Date of Patent:** **** Sep. 9, 2003**

(54) **LAVATORY**

(75) **Inventor:** **James M. Piatt**, Sheboygan Falls, WI (US)

(73) **Assignee:** **Kohler Co.**, Kohler, WI (US)

(**) **Term:** **14 Years**

(21) **Appl. No.:** **29/158,619**

(22) **Filed:** **Apr. 4, 2002**

Related U.S. Application Data

(63) Continuation-in-part of application No. 29/153,935, filed on Oct. 26, 2001.

(51) **LOC (7) Cl.** **23-02**

(52) **U.S. Cl.** **D23/284**

(58) **Field of Search** D23/207-274,
D23/283-284, 286-287, 291-292, 293.1,
304, 308; 4/553, 557-558, 596-604, 612-614,
619, 622, 629-630, 633, 638, 650-652,
660, 632

(56) **References Cited**

U.S. PATENT DOCUMENTS

- D35,008 S * 8/1901 Clow D23/293.01
- 998,742 A * 7/1911 Berkley 4/652 X
- 2,389,724 A * 11/1945 Falco 4/612 X
- 2,532,769 A * 12/1950 Houpt 4/632
- 2,902,700 A * 9/1959 Chambers 4/629
- 2,914,777 A * 12/1959 Parson 4/628
- 3,038,172 A * 6/1962 Fritz et al. 4/638 X
- 3,376,583 A * 4/1968 Frey 4/638
- D218,606 S * 9/1970 Lein D23/284

- D244,030 S * 4/1977 Tongish D23/284
- 4,086,669 A * 5/1978 Combis 4/622
- 4,689,841 A * 9/1987 Owen 4/644
- D298,452 S * 11/1988 Carter D23/293.1
- D332,829 S * 1/1993 Belfor D23/292
- D356,148 S * 3/1995 Kohler, Jr. et al. D23/293.1
- 5,560,052 A * 10/1996 Ferguson et al. 4/650
- 5,628,484 A * 5/1997 Lechuga 4/594
- D423,653 S * 4/2000 Svendsen D23/293.1
- D463,538 S * 9/2002 Chipperfield D23/284

OTHER PUBLICATIONS

2000 Kohler catalog ad, p. 11.23, showing "Memoirs" shower receptors.

Jul. 2001 Kohler catalog ad, p. 8.3b, showing a "SOK" bath.

* cited by examiner

Primary Examiner—Louis S. Zarfaz

Assistant Examiner—Robert A Delehanty

(74) *Attorney, Agent, or Firm*—Quarles & Brady LLP

(57) **CLAIM**

The ornamental design for a lavatory, as shown and described.

DESCRIPTION

In a preferred embodiment, the nature of this product is as a plumbing fixture in the form of a receptor for receiving water and is primarily useful for washing various objects.

FIG. 1 is a left, top, front perspective view of a lavatory embodying my new design;

FIG. 2 is a top plan view thereof;

FIG. 3 is a front elevational view thereof; and,

FIG. 4 is a left side elevational view thereof.

1 Claim, 1 Drawing Sheet

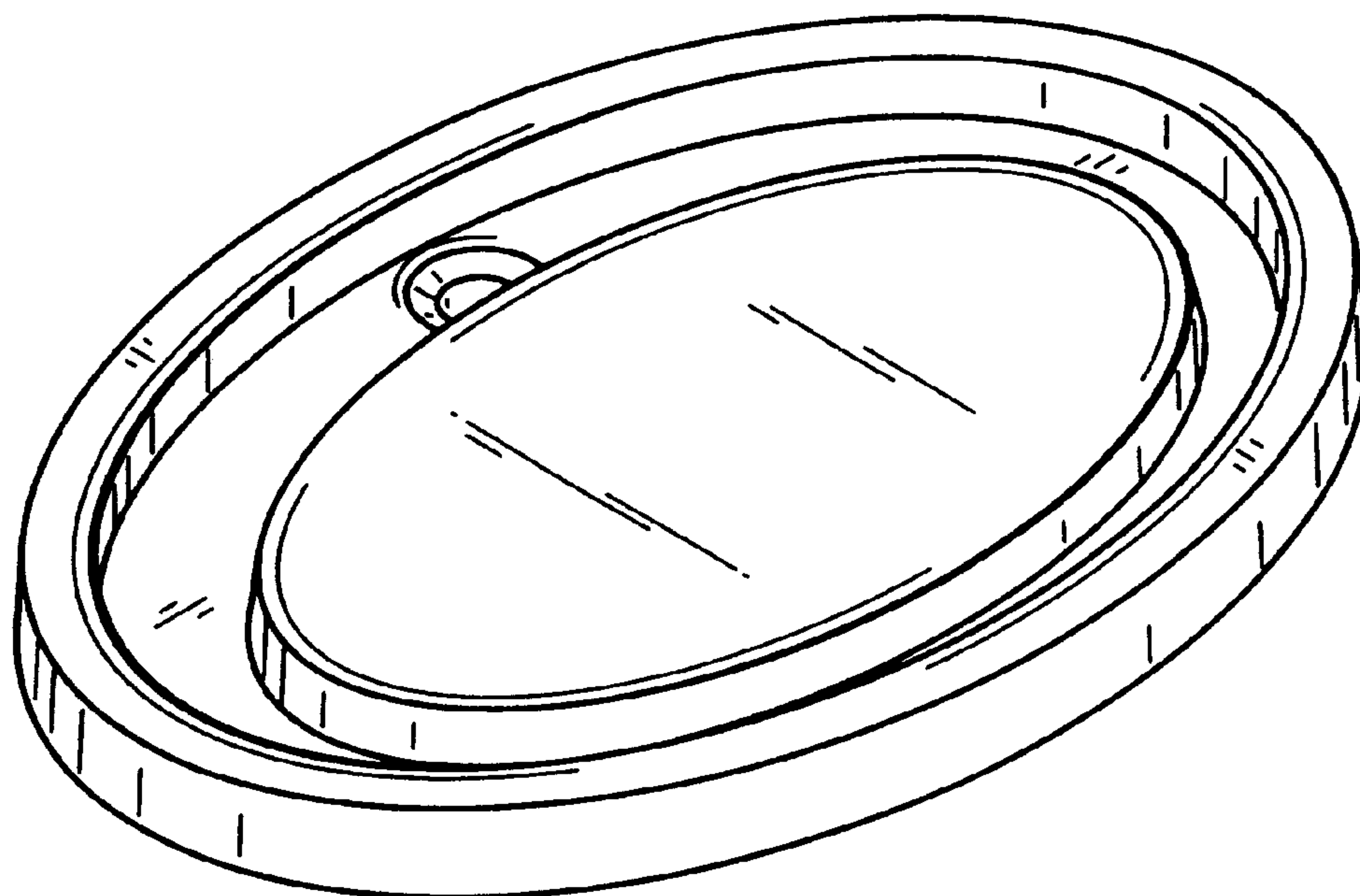


FIG. 1

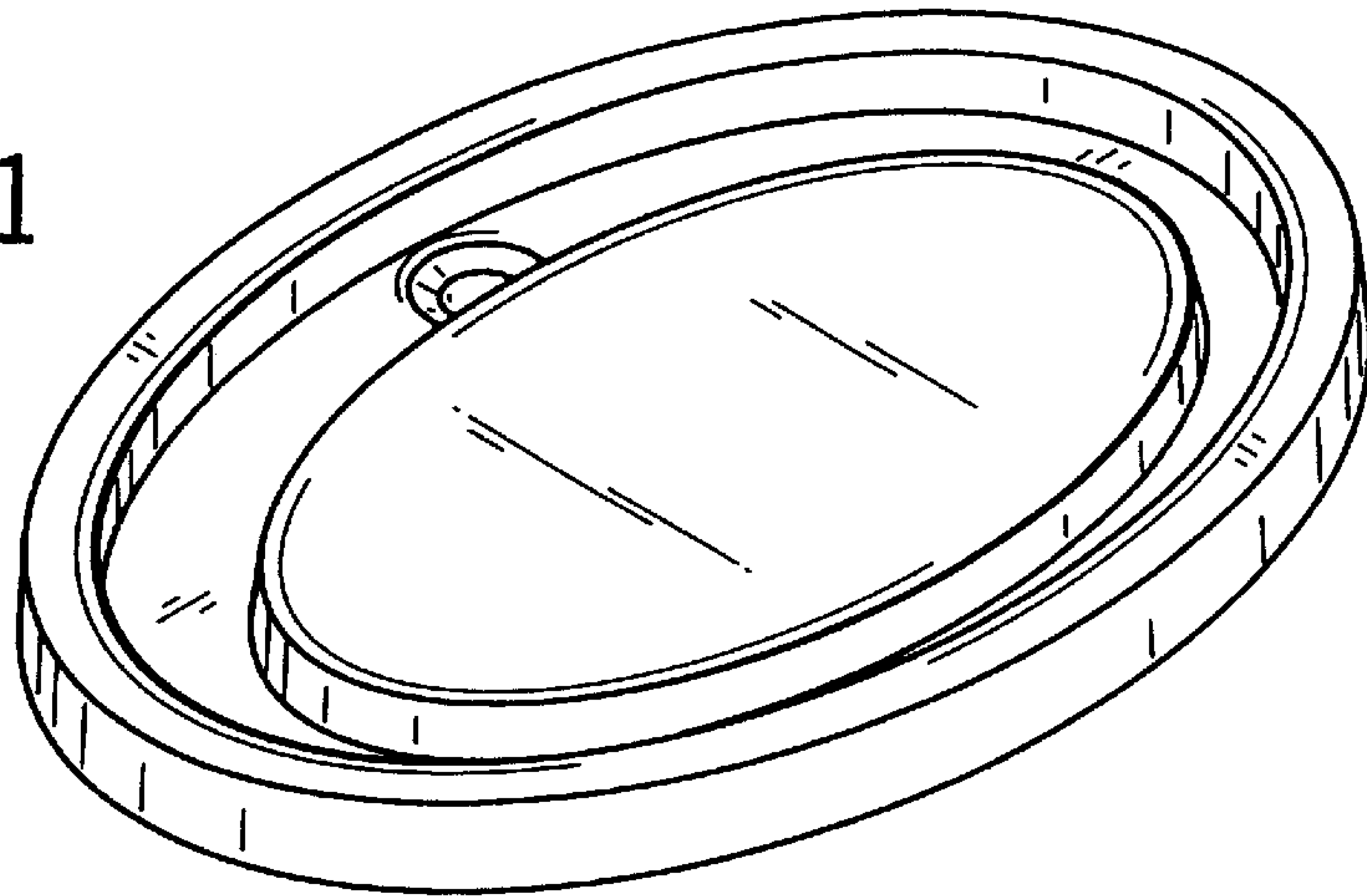


FIG. 2

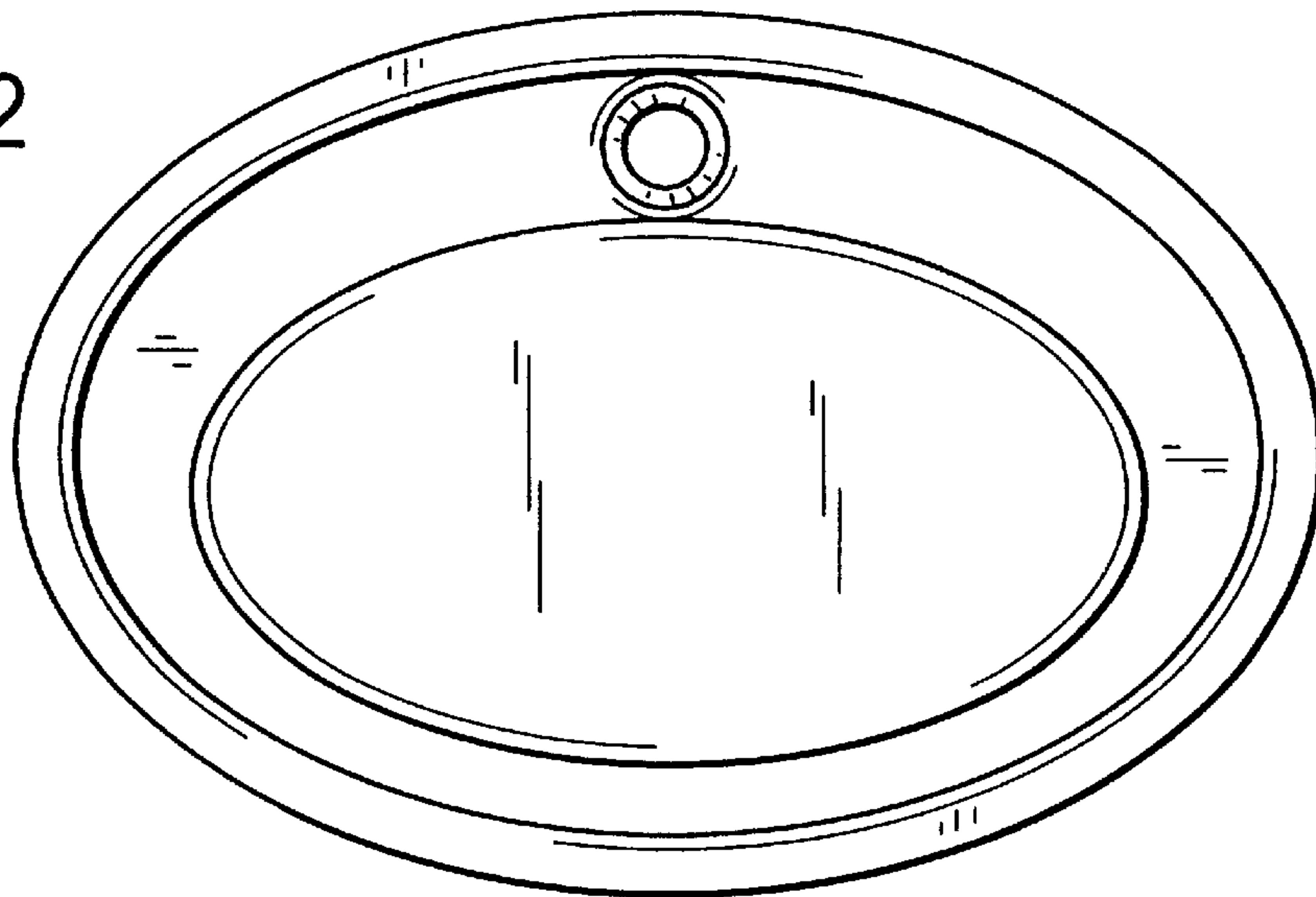


FIG. 3



FIG. 4

