



US00D479585S

(12) **United States Design Patent**  
**Mulligan et al.**

(10) **Patent No.:** **US D479,585 S**

(45) **Date of Patent:** **\*\* Sep. 9, 2003**

(54) **PLUMBING FASTENER**

(75) Inventors: **Timothy David Mulligan**, New Hudson, MI (US); **Donald Scott Glover**, Birmingham, MI (US)

(73) Assignee: **Brass-Craft Manufacturing Company**, Novi, MI (US)

(\*\*) Term: **14 Years**

(21) Appl. No.: **29/171,363**

(22) Filed: **Nov. 21, 2002**

(51) **LOC (7) Cl.** ..... **23-01**

(52) **U.S. Cl.** ..... **D23/262; D23/259**

(58) **Field of Search** ..... **D23/259, 262, D23/263-265; 285/38, 354**

(56) **References Cited**

**U.S. PATENT DOCUMENTS**

D128,314 S	*	7/1941	Kelly	.....	D23/262
D263,163 S	*	2/1982	Olde	.....	D23/262
D320,841 S	*	10/1991	Breadmont	.....	D23/262

\* cited by examiner

*Primary Examiner*—Robin V. Taylor

(74) *Attorney, Agent, or Firm*—Edgar A. Zarins; Lloyd D. Doigan

(57) **CLAIM**

The ornamental design for a plumbing fastener, as shown and described.

**DESCRIPTION**

FIG. 1 is a perspective view of a plumbing fastener showing our new design;

FIG. 2 is a front end view thereof;

FIG. 3 is an inner end view thereof;

FIG. 4 is a first side view thereof, the opposite side being a mirror image of the side shown; and

FIG. 5 is a second side view thereof, the opposite side being a mirror image of the side shown.

FIG. 6 is a perspective view of an alternative embodiment of a plumbing fastener showing our new design;

FIG. 7 is a front end view thereof;

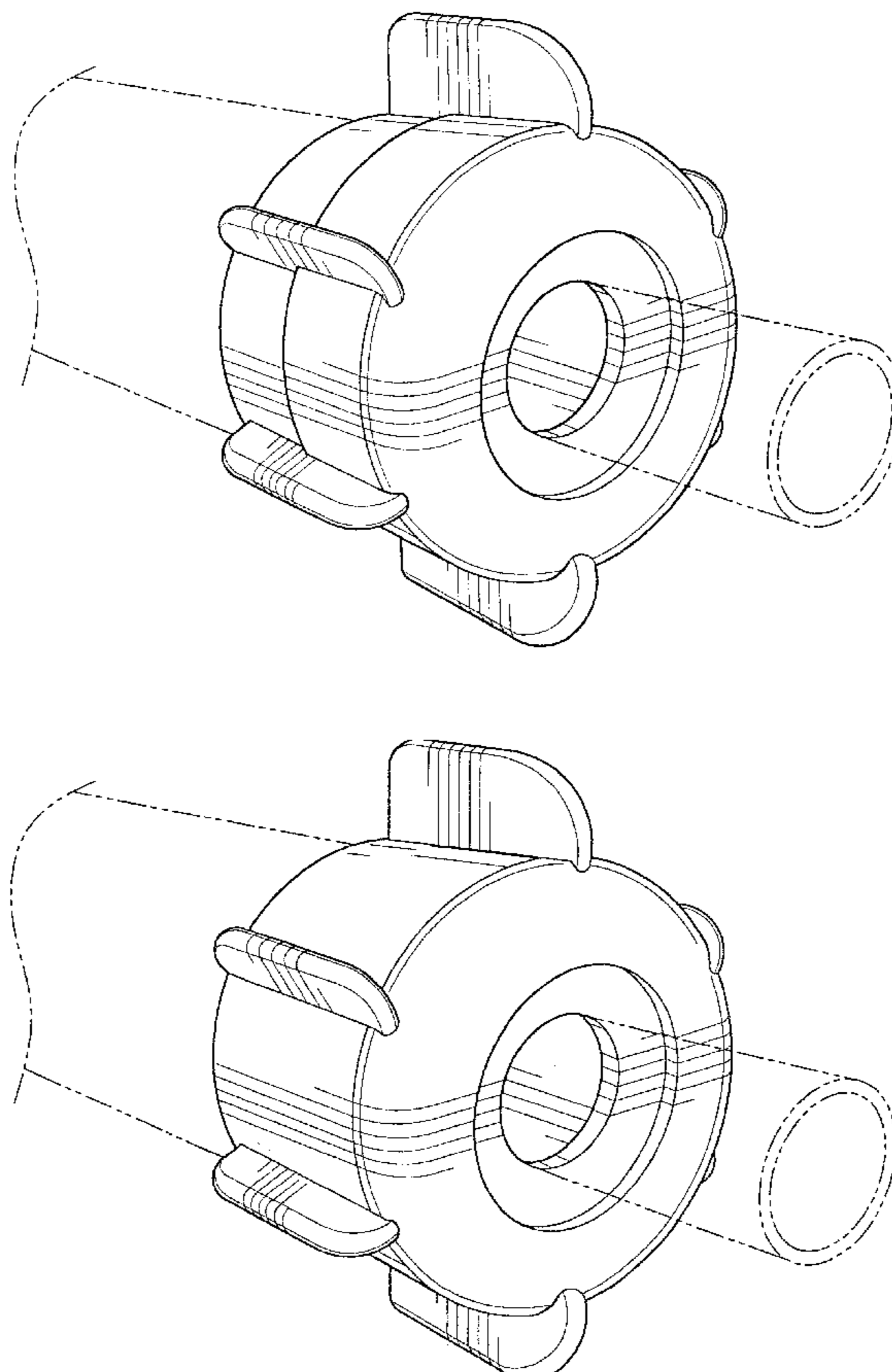
FIG. 8 is an inner end view thereof;

FIG. 9 is a first side view thereof, the opposite side being a mirror image of the side shown; and,

FIG. 10 is a second side view thereof, the opposite side being a mirror image of the side shown.

The broken line showing in FIGS. 1 and 6 are for illustrative purposes only and forms no part of the claimed design.

**1 Claim, 4 Drawing Sheets**



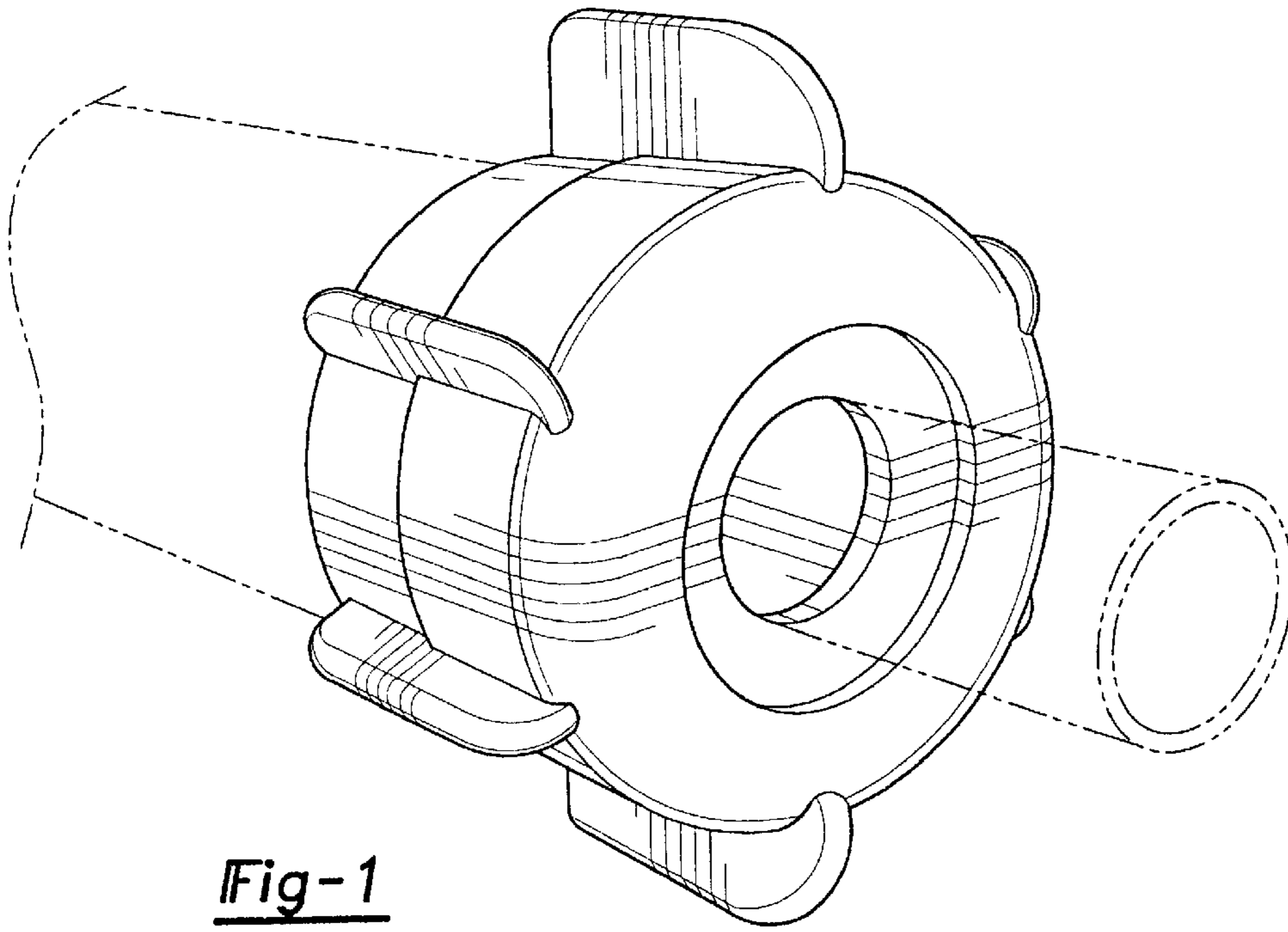


Fig-1

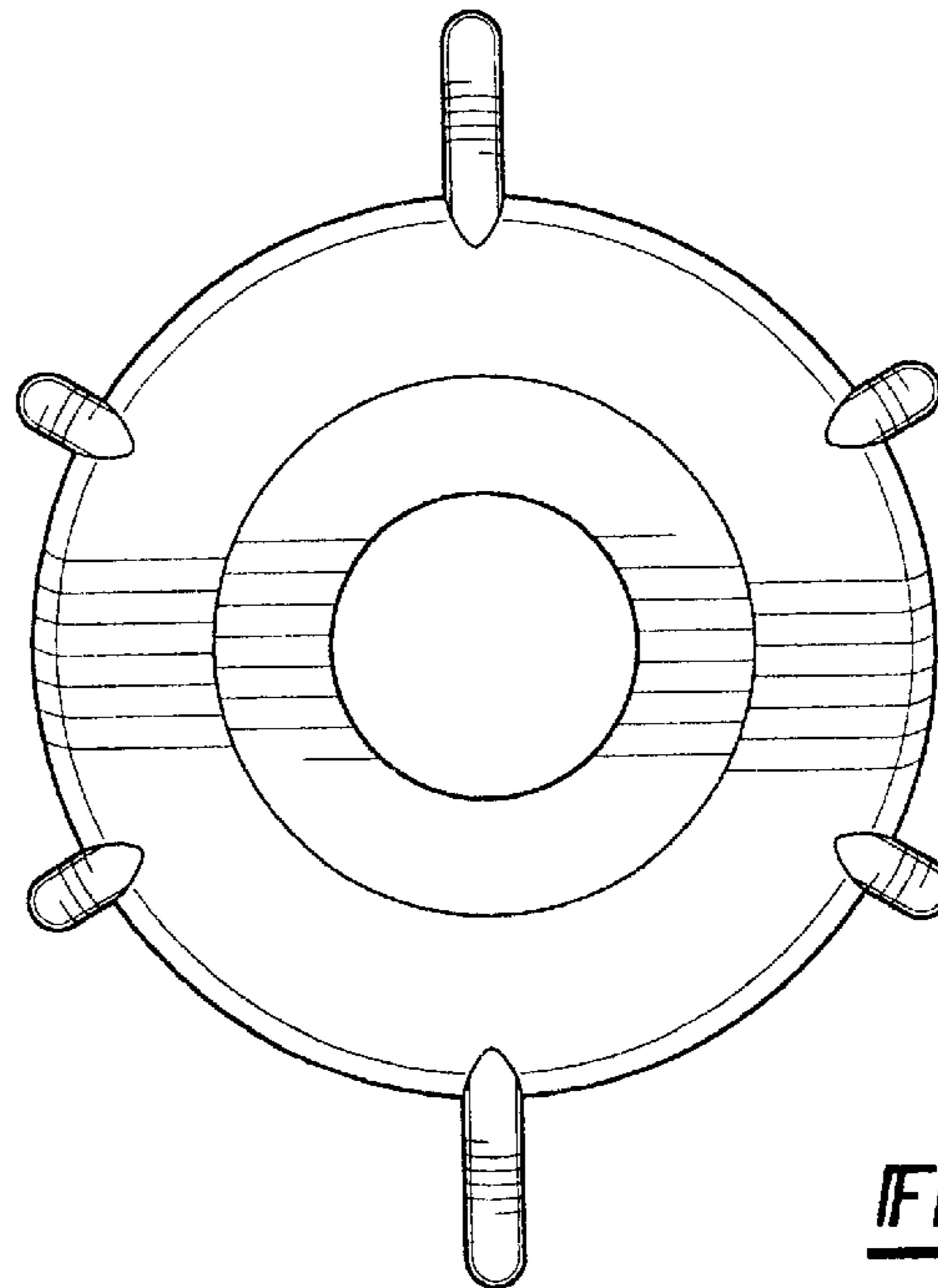


Fig-2

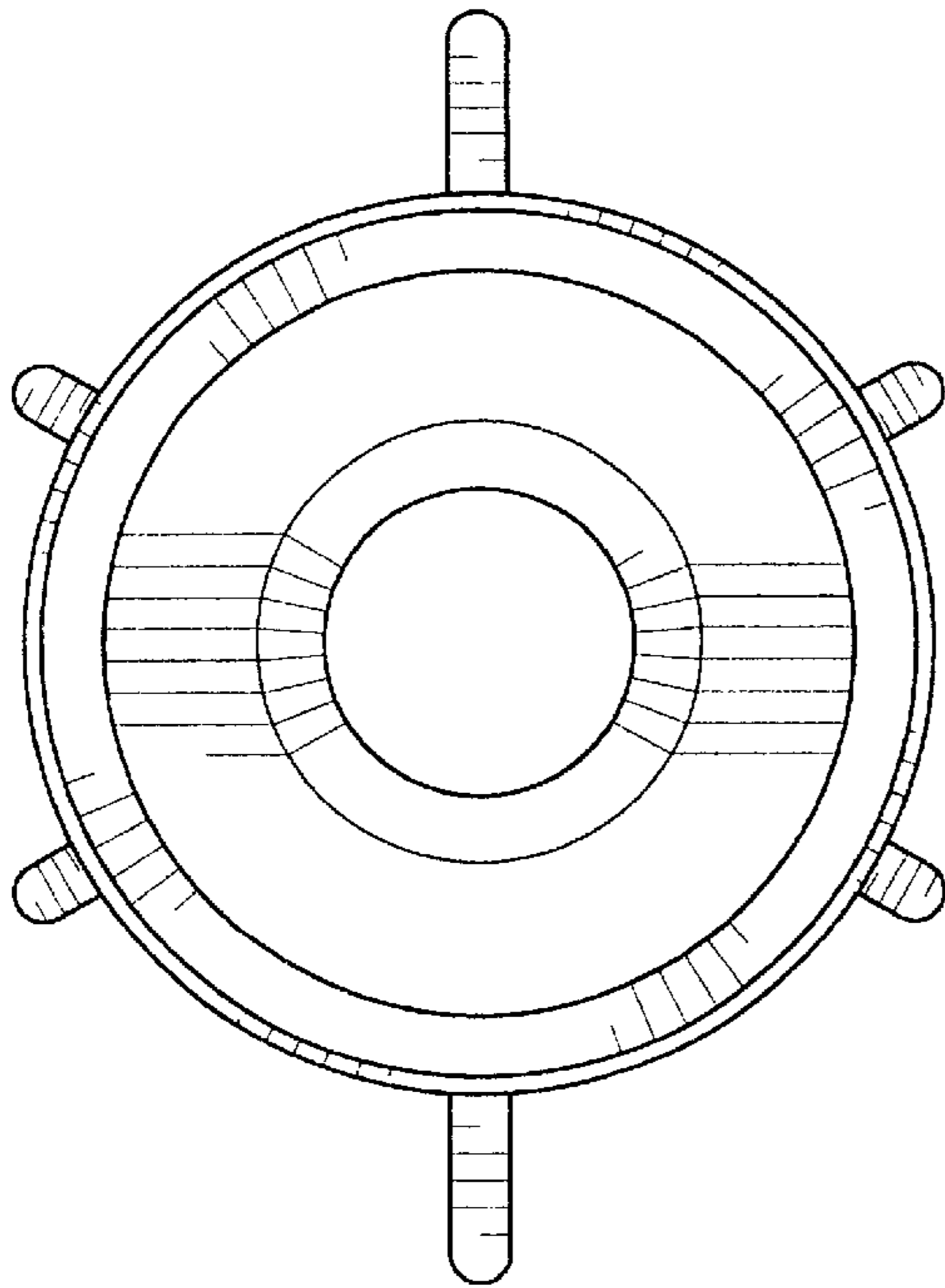


Fig-3

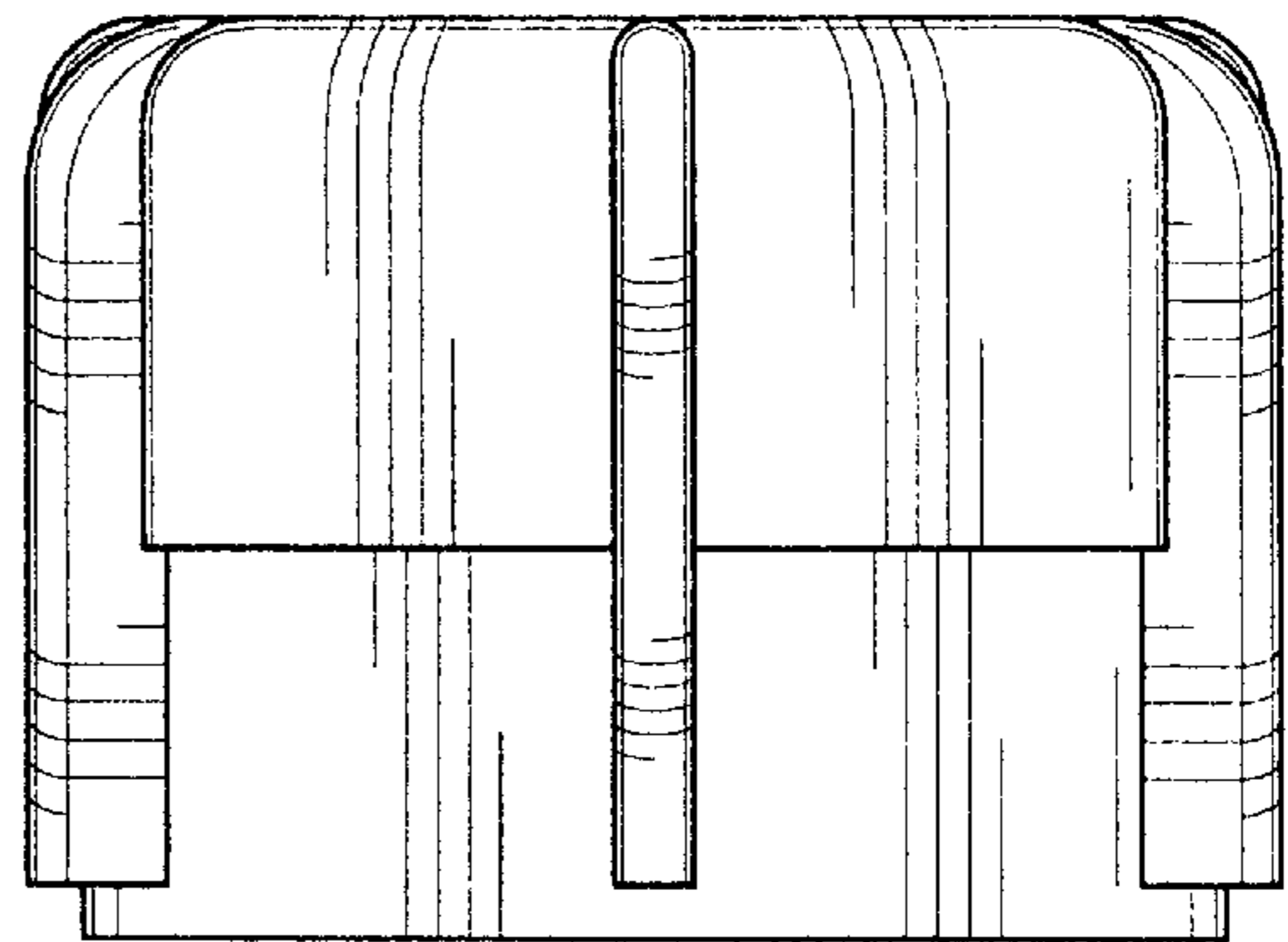


Fig-4

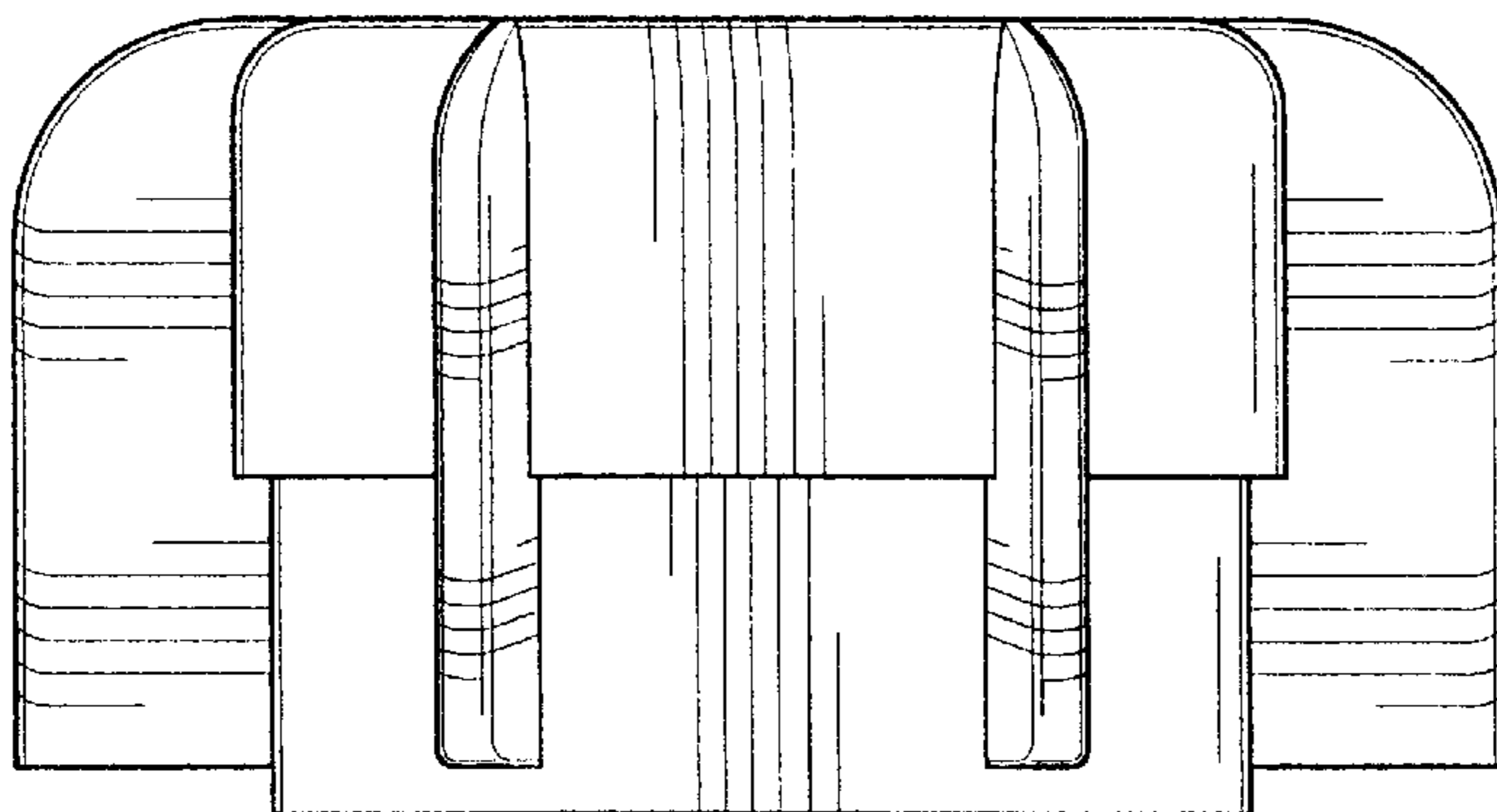


Fig-5

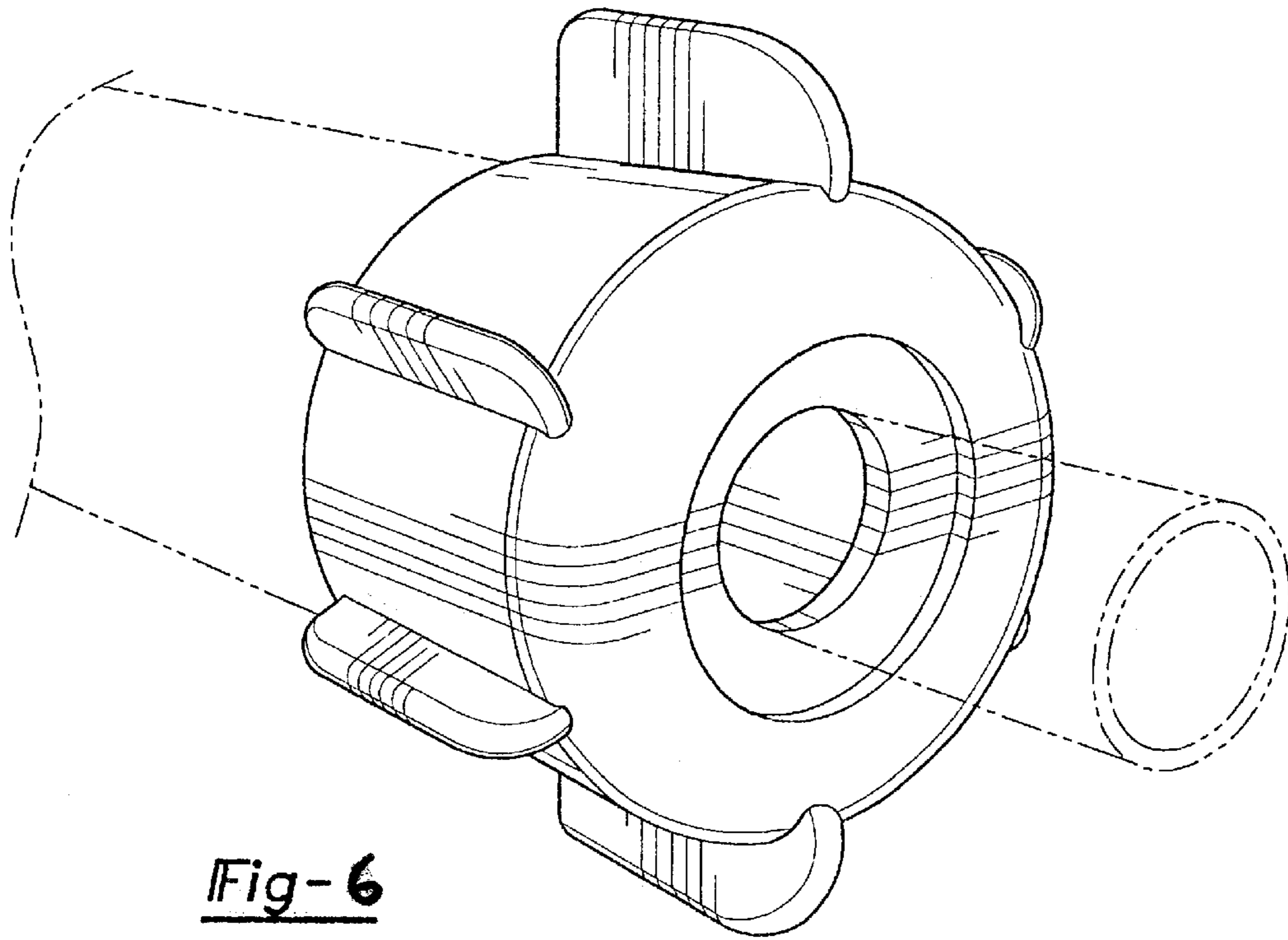


Fig-6

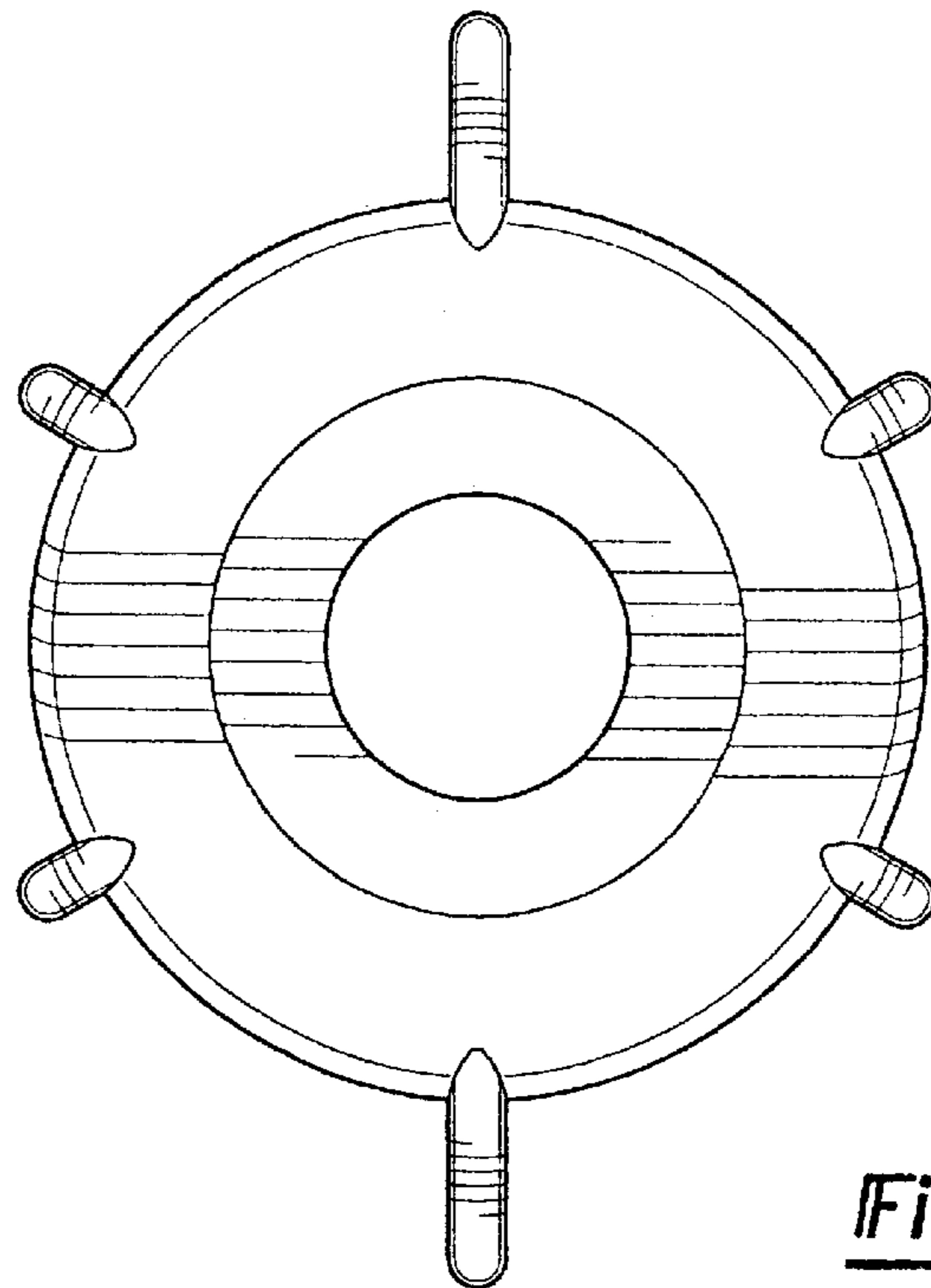


Fig-7



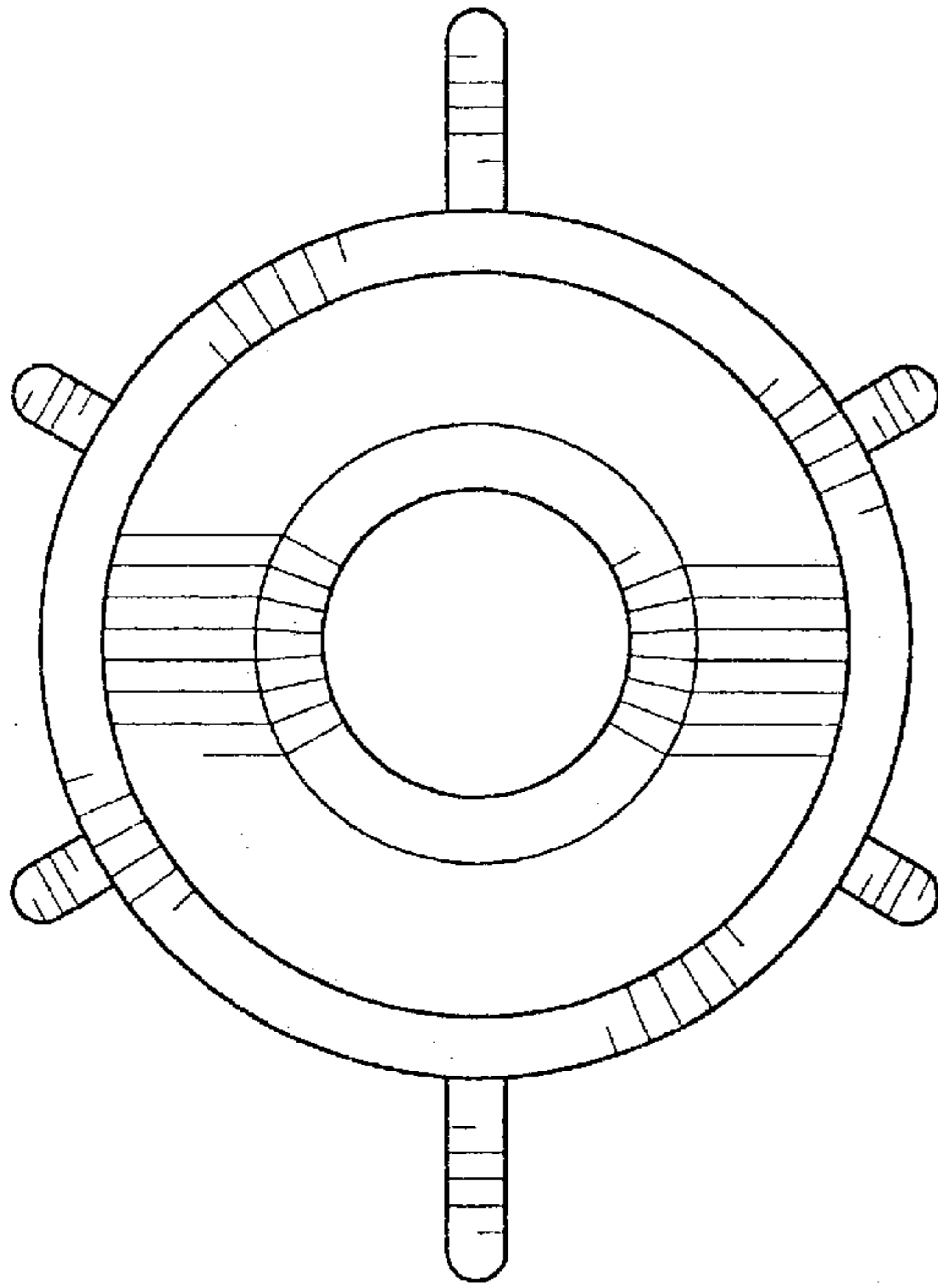


Fig-8

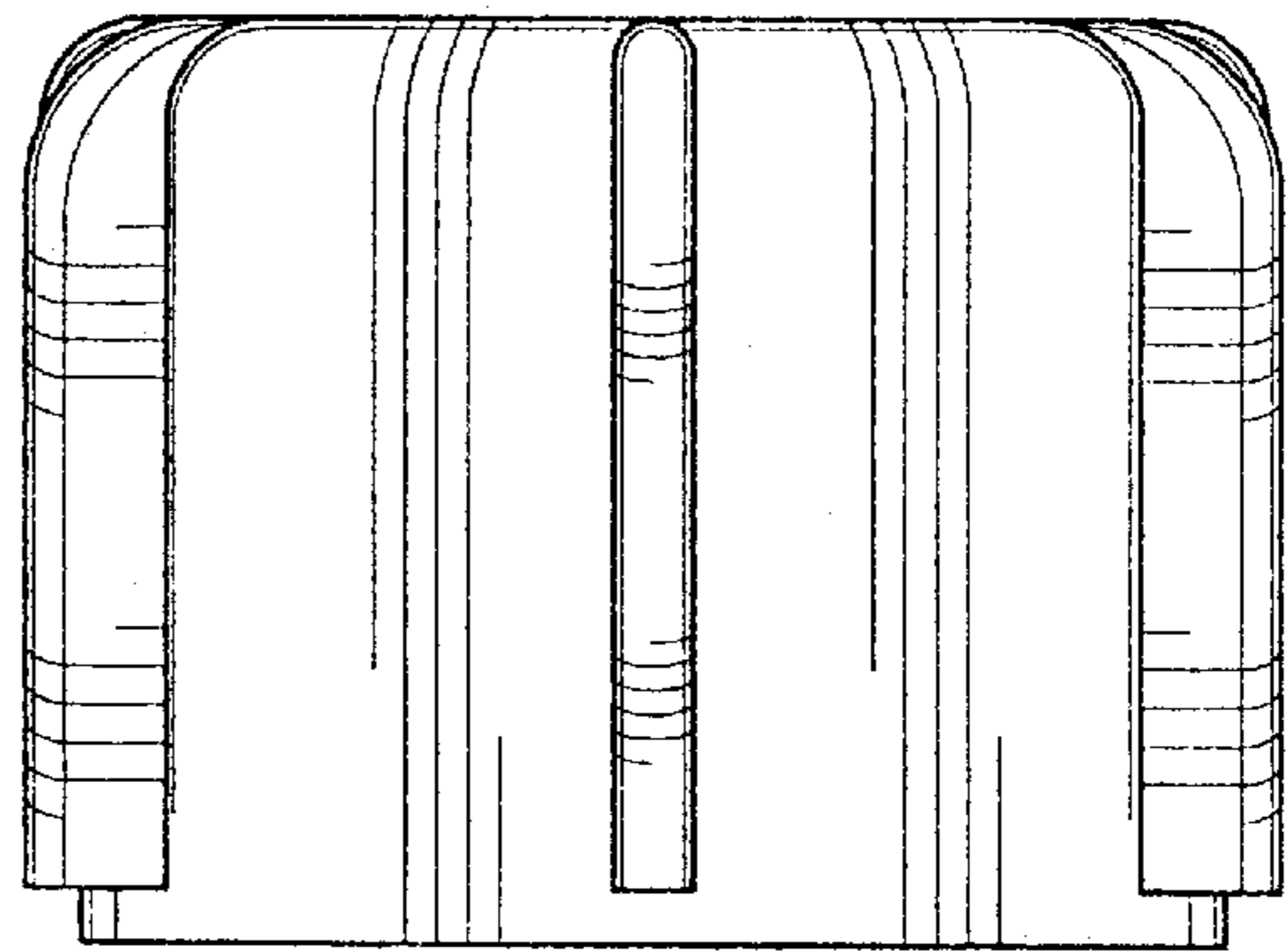


Fig-9

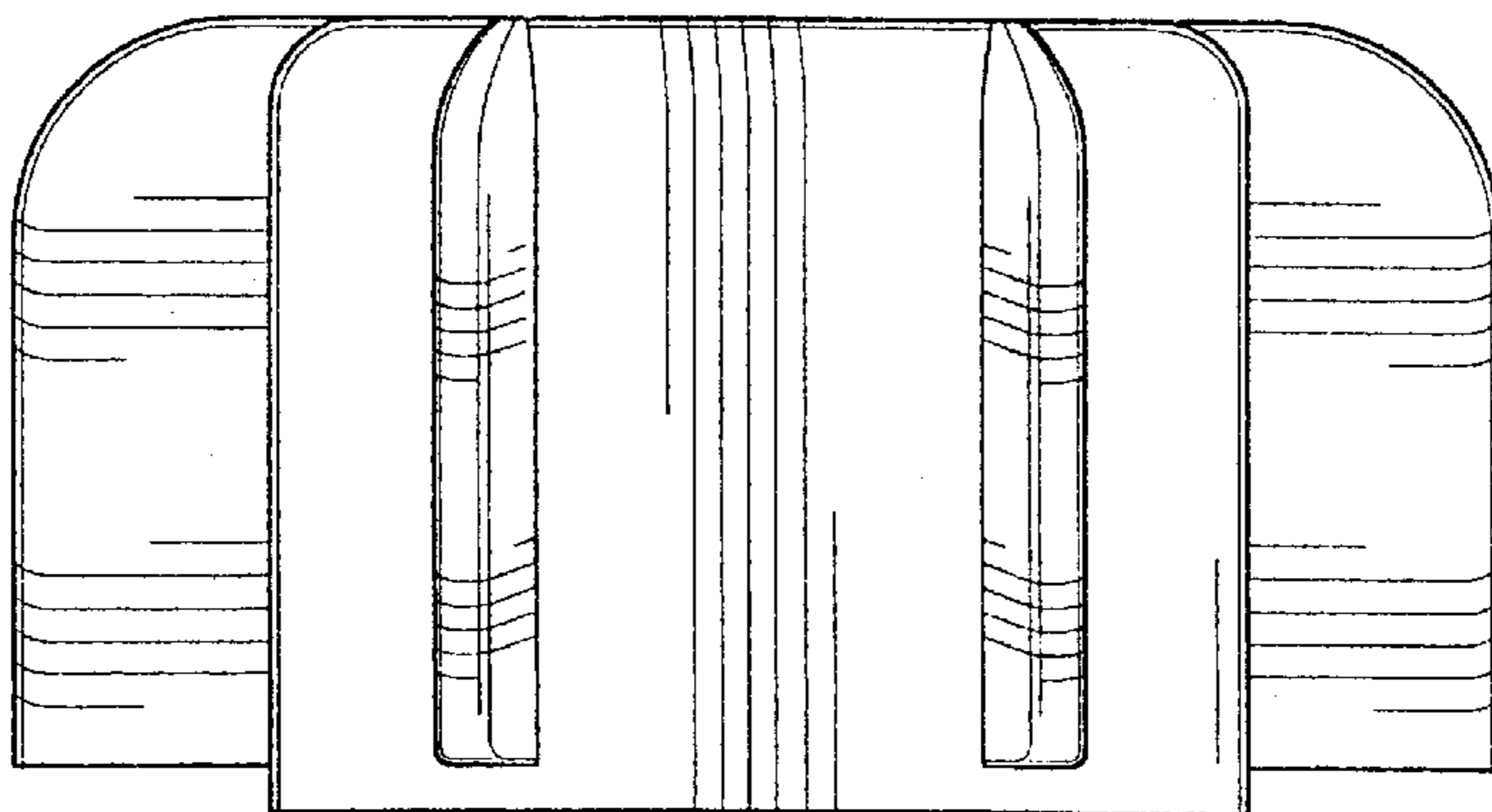


Fig-10