



US00D479584S

(12) **United States Design Patent**
Shieh

(10) **Patent No.:** **US D479,584 S**

(45) **Date of Patent:** **** Sep. 9, 2003**

(54) **FAUCET BASE**

(76) **Inventor:** **Ming Chun Shieh**, P.O.Box 63-99,
Taichung (TW), 406

(**) **Term:** **14 Years**

(21) **Appl. No.:** **29/174,460**

(22) **Filed:** **Jan. 16, 2003**

(51) **LOC (7) Cl.** **23-01**

(52) **U.S. Cl.** **D23/249; D23/238**

(58) **Field of Search** **D23/238-243,**
D23/250-257; 4/675-678; 137/801

(56) **References Cited**

U.S. PATENT DOCUMENTS

- D461,532 S * 8/2002 Ouyoung D23/242
- D462,749 S * 9/2002 Lord D23/255
- D465,265 S * 11/2002 Czerwinski, Jr. et al. .. D23/238

D472,607 S * 4/2003 Warshawsky et al. D23/238

* cited by examiner

Primary Examiner—Louis S. Zarfes

Assistant Examiner—Gregory Andoll

(57) **CLAIM**

The ornamental design for a faucet base, as shown and described.

DESCRIPTION

FIG. 1 is a perspective view of a faucet base showing my new design;

FIG. 2 is a front elevational view thereof;

FIG. 3 is a rear elevational view thereof;

FIG. 4 is a top plan view thereof;

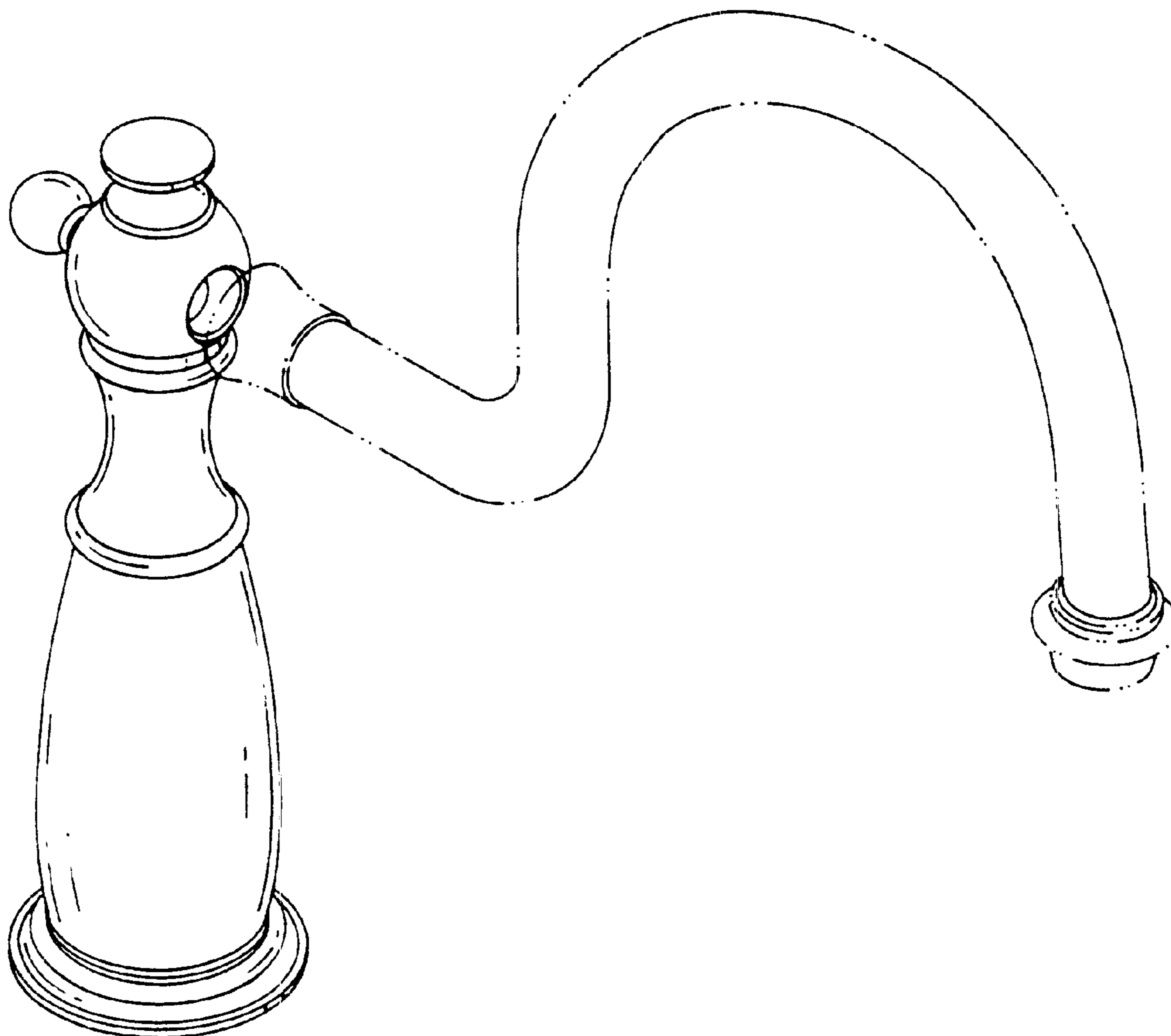
FIG. 5 is a bottom plan view thereof;

FIG. 6 is a left side elevational view thereof;

FIG. 7 is a right side elevational view thereof; and,

FIG. 8 is a perspective view thereof, the hose depicted by means of broken lines being for illustrative purposes only and forming no part of the claimed design;

1 Claim, 3 Drawing Sheets



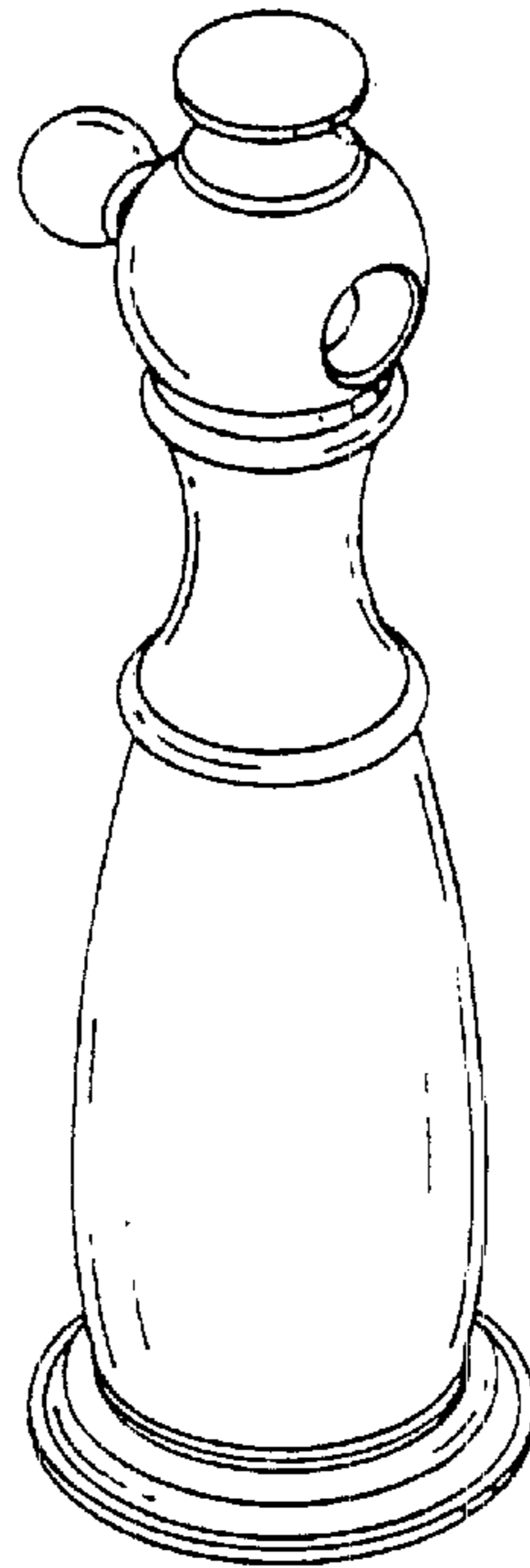


FIG. 1

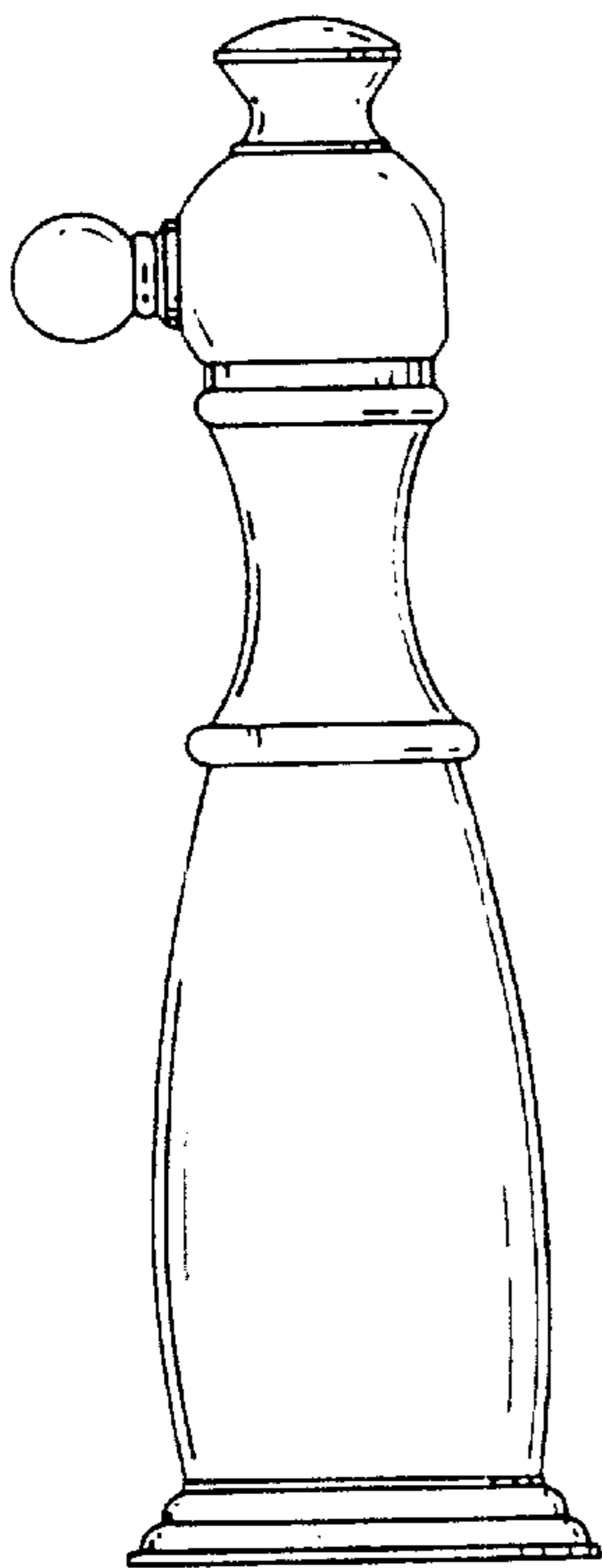


FIG. 2

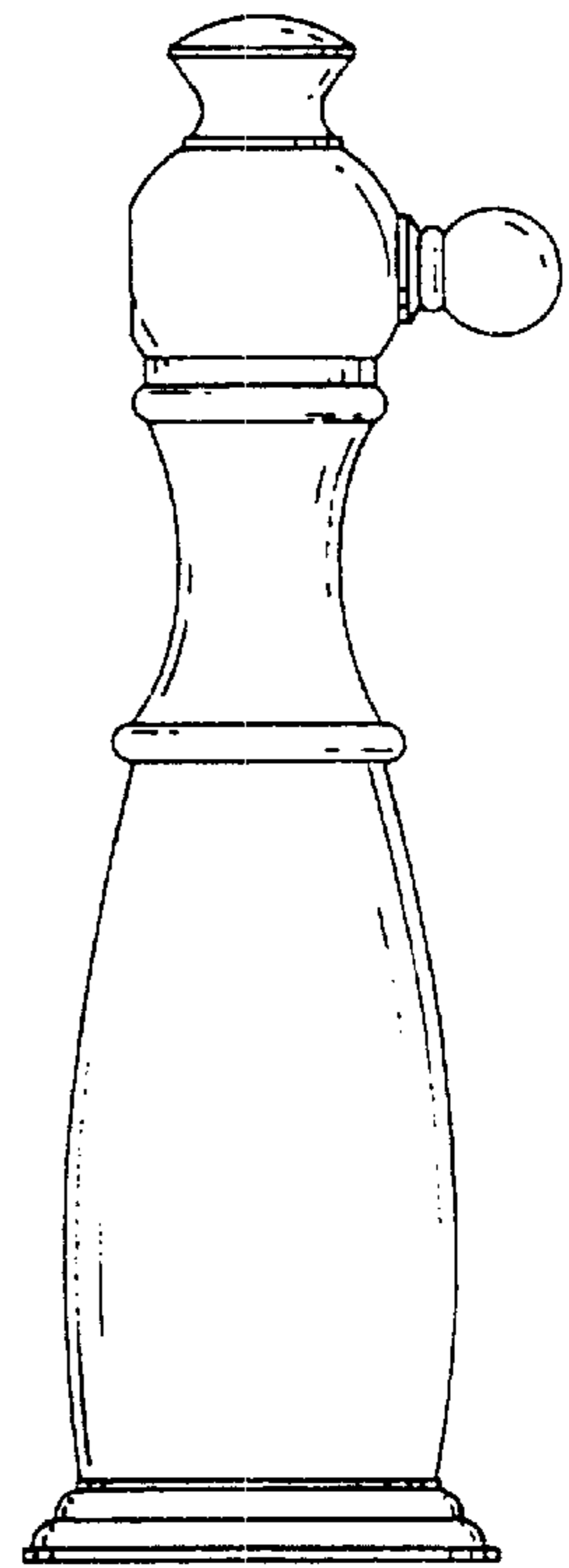


FIG. 3

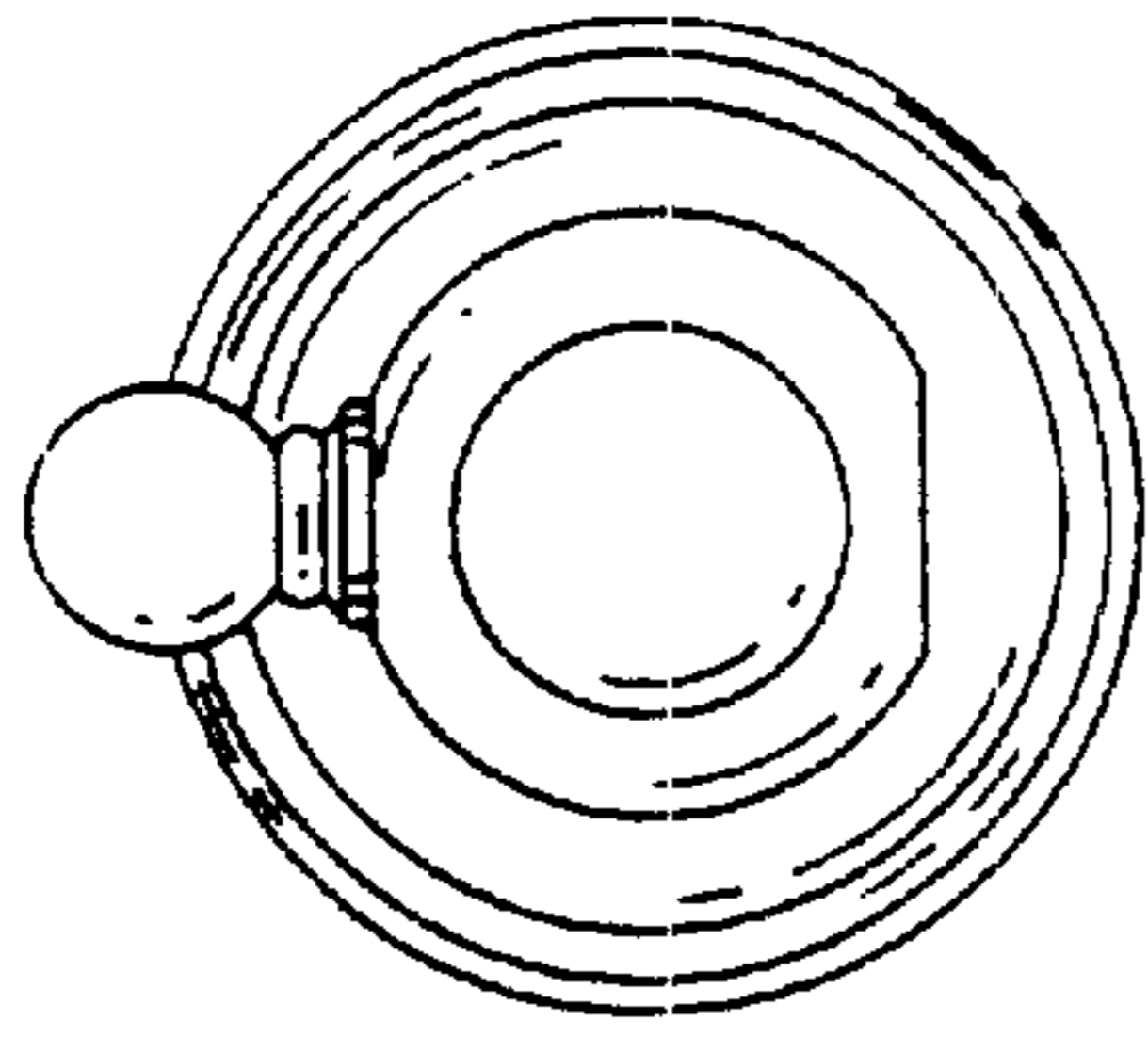


FIG. 4

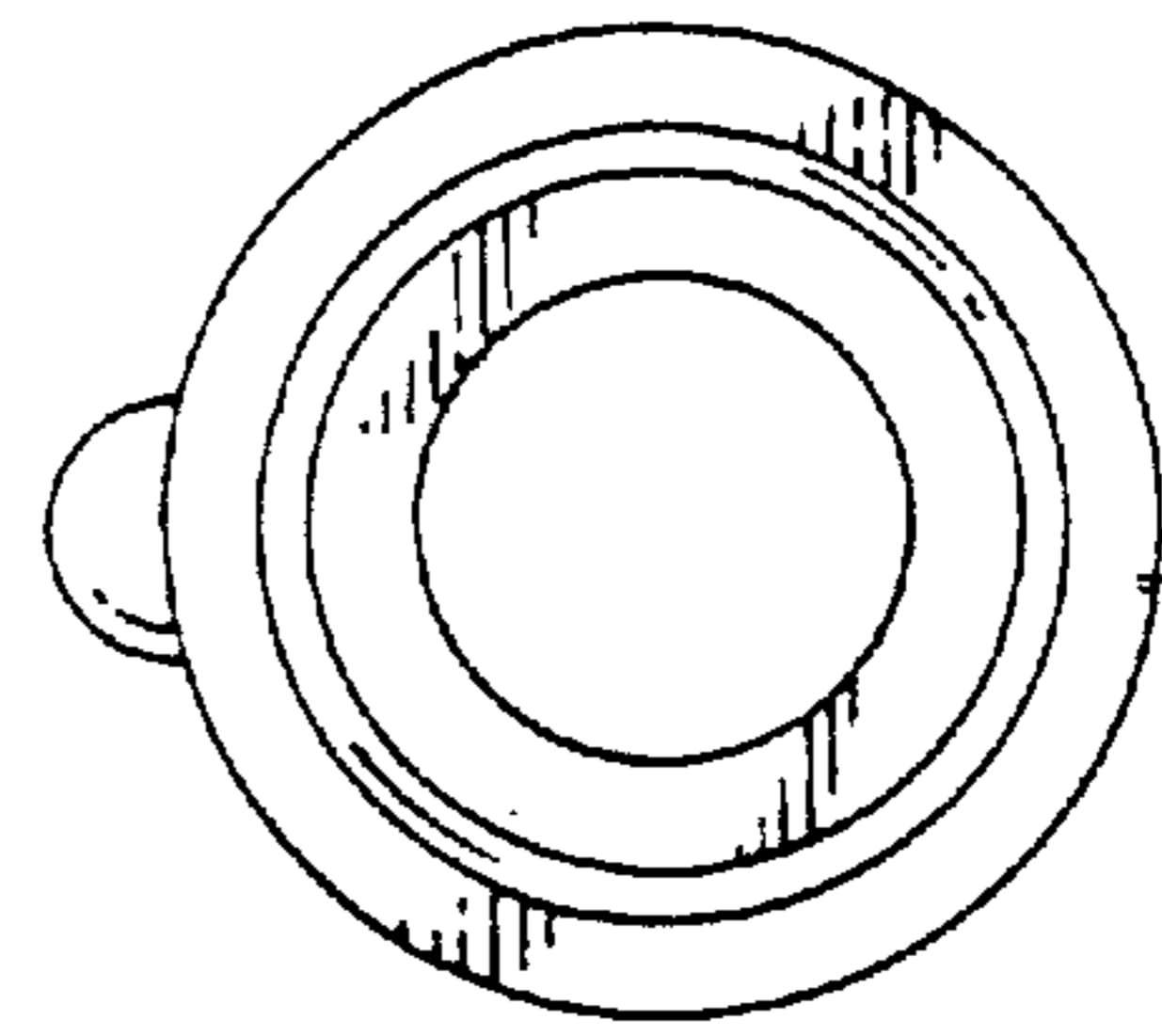


FIG. 5

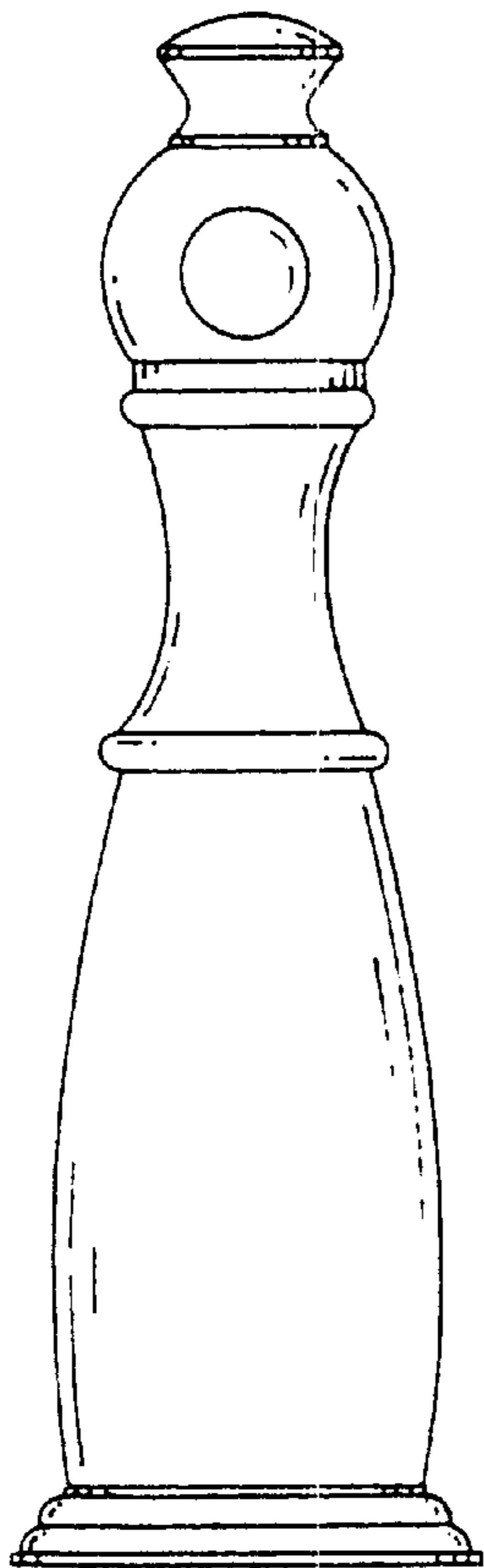


FIG. 6

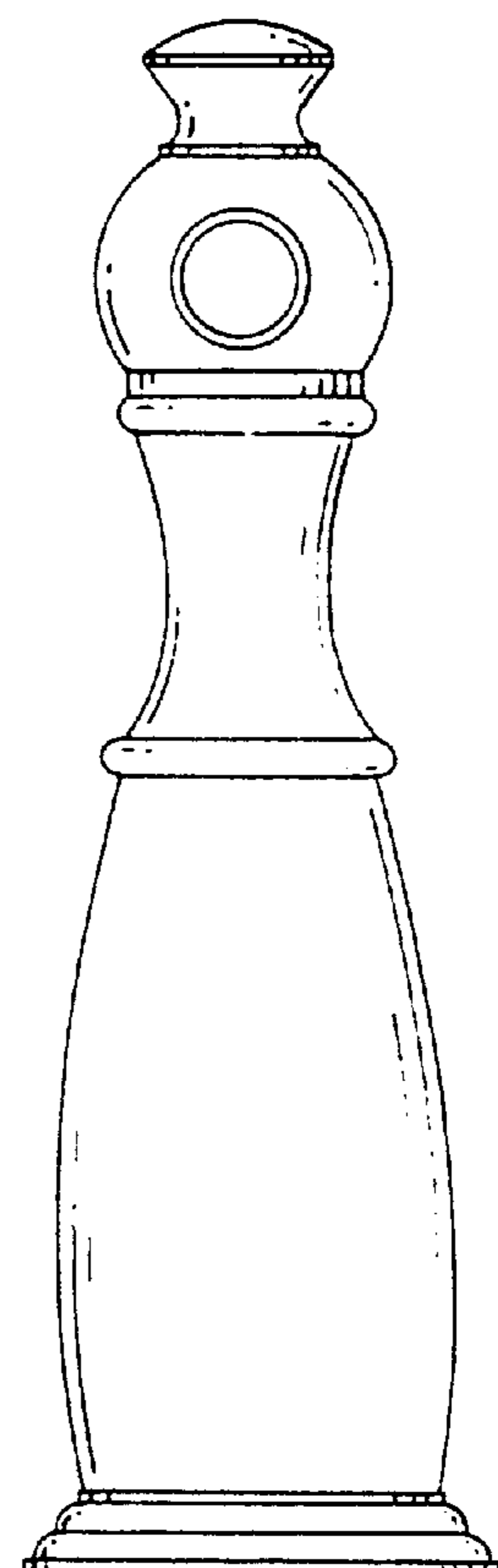


FIG. 7

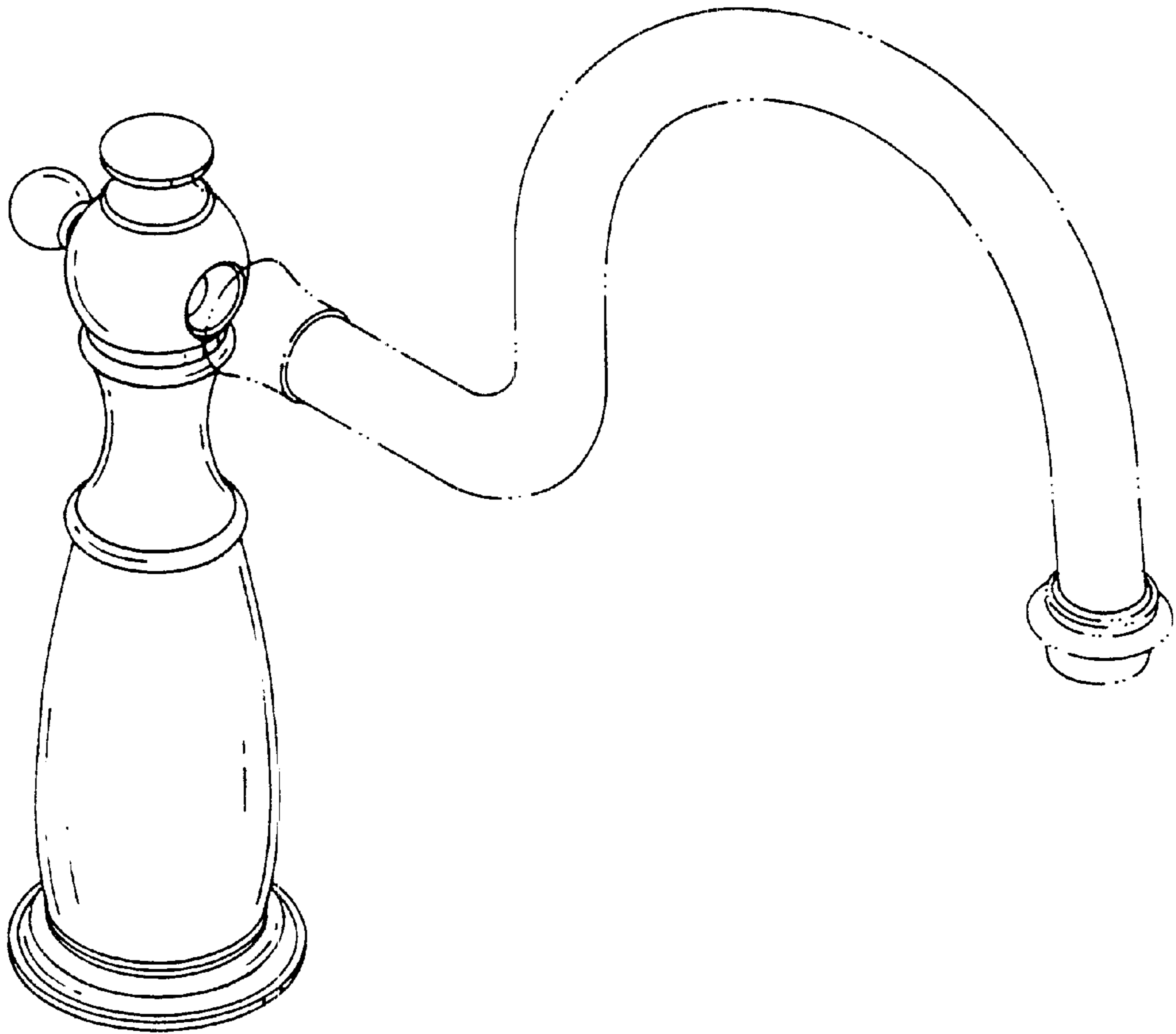


FIG. 8