



US00D479583S

(12) **United States Design Patent**  
**Citterio**

(10) **Patent No.:** **US D479,583 S**

(45) **Date of Patent:** **\*\* Sep. 9, 2003**

(54) **SANITARY FAUCET**

D297,758 S \* 9/1988 Paul ..... D23/252

(75) Inventor: **Antonio Citterio**, Milan (IT)

\* cited by examiner

(73) Assignee: **Hansgrohe AG**, Schiltach (DE)

*Primary Examiner*—Louis S. Zarfes

*Assistant Examiner*—Gregory Andoll

(\*\*) Term: **14 Years**

(74) *Attorney, Agent, or Firm*—Duane Morris LLP

(21) Appl. No.: **29/166,693**

(57) **CLAIM**

(22) Filed: **Sep. 3, 2002**

The ornamental design for a sanitary faucet, as shown and described.

(30) **Foreign Application Priority Data**

**DESCRIPTION**

Mar. 5, 2002 (DE) ..... 402 01 868

(51) **LOC (7) Cl.** ..... **23-01**

FIG. 1: is a side perspective view of the sanitary faucet showing my new design;

(52) **U.S. Cl.** ..... **D23/242; D23/241**

FIG. 2: is a front elevation view thereof;

(58) **Field of Search** ..... **D23/238-243, D23/250-257; 4/675-678; 137/801**

FIG. 3: is a rear elevation view thereof;

FIG. 4: is a side elevation view thereof, the opposite side being a mirror image;

(56) **References Cited**

FIG. 5: is a top plan view thereof; and,

FIG. 6: is a bottom plan view thereof.

**U.S. PATENT DOCUMENTS**

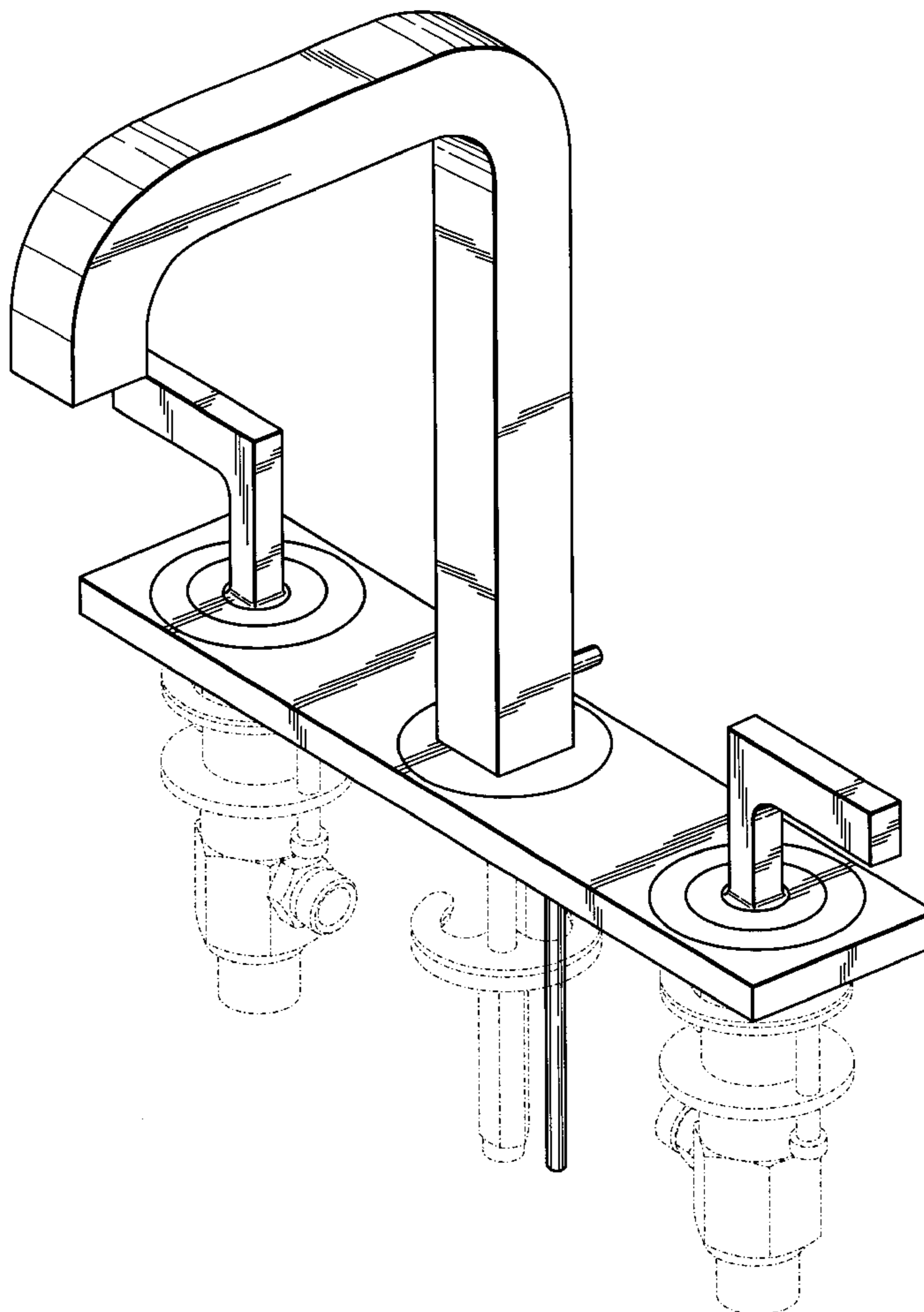
The broken lines in the Figures are for illustrative purposes and form no part of the claimed design.

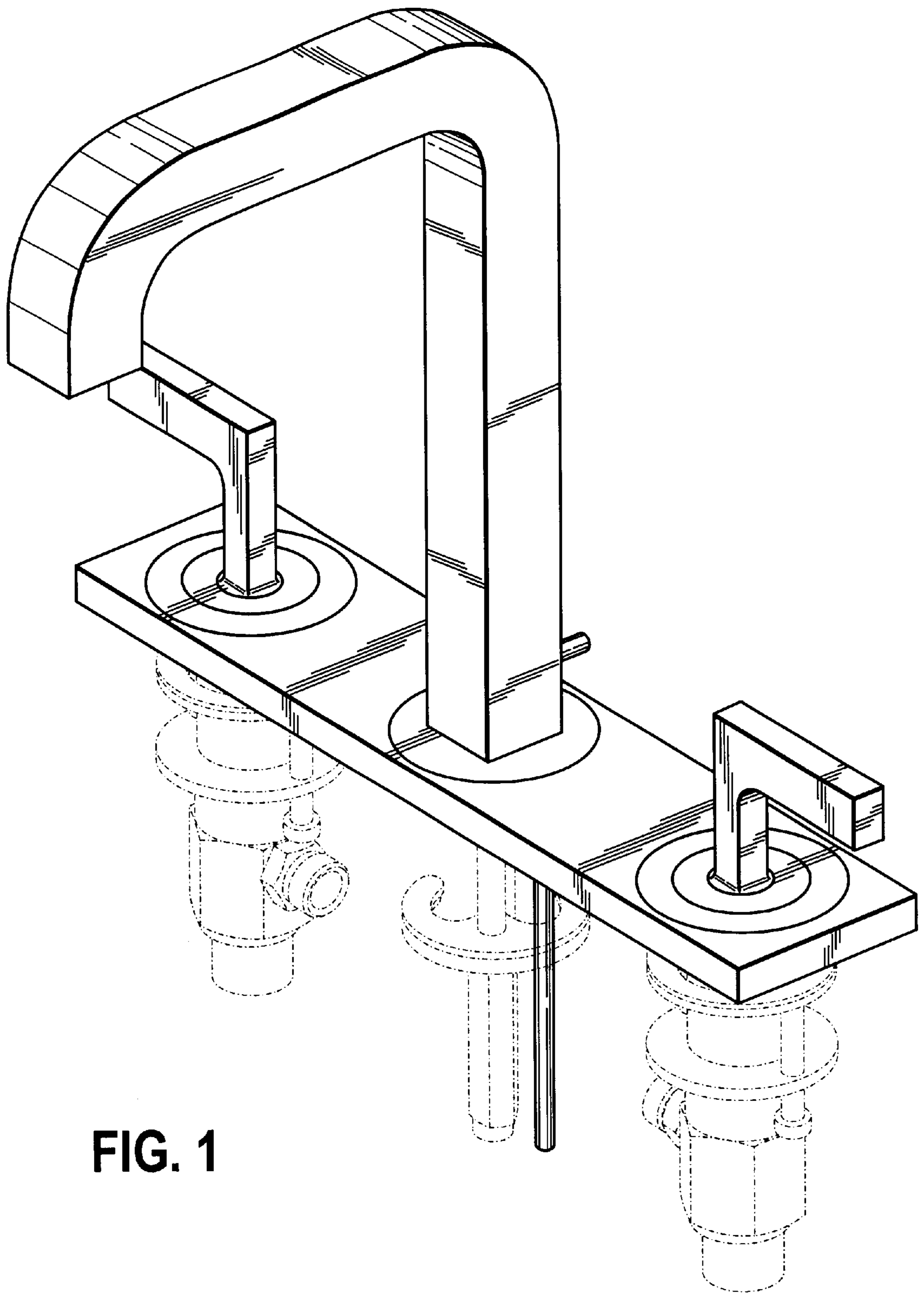
D265,229 S \* 6/1982 Paul ..... D23/242

D267,110 S \* 11/1982 Arnolds ..... D23/242

D297,756 S \* 9/1988 Paul ..... D23/242

**1 Claim, 6 Drawing Sheets**





**FIG. 1**

FIG. 2

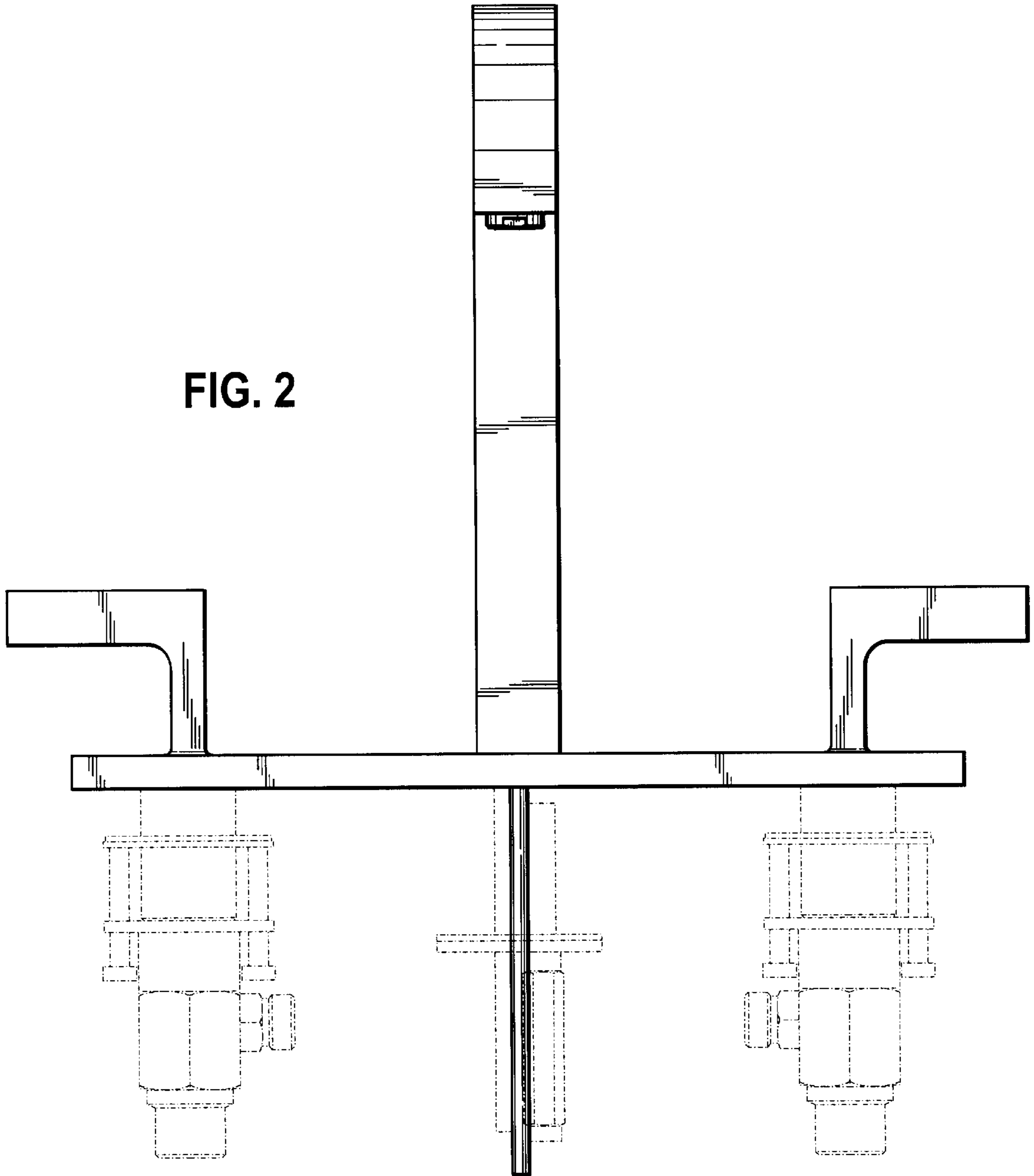
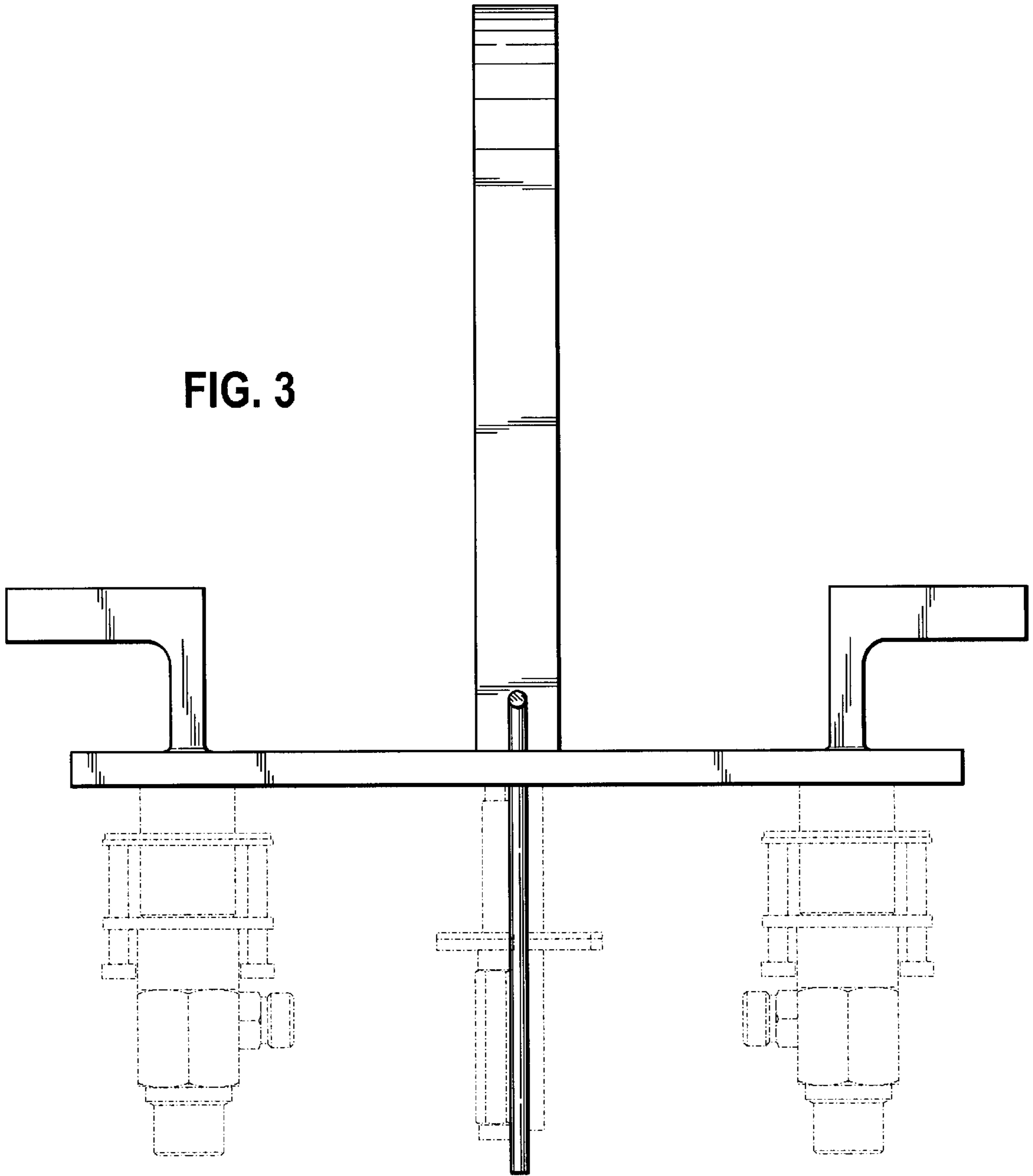


FIG. 3



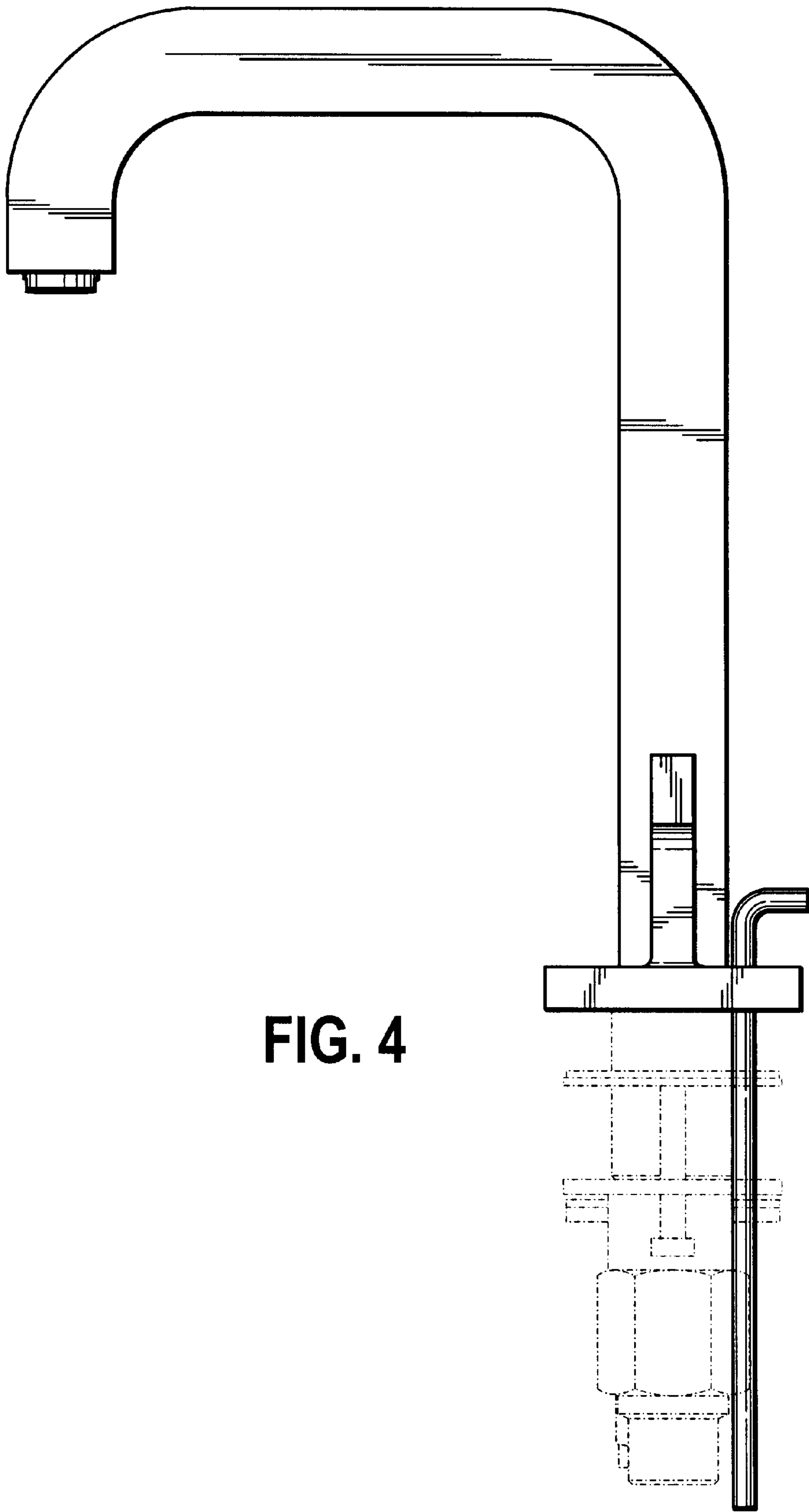
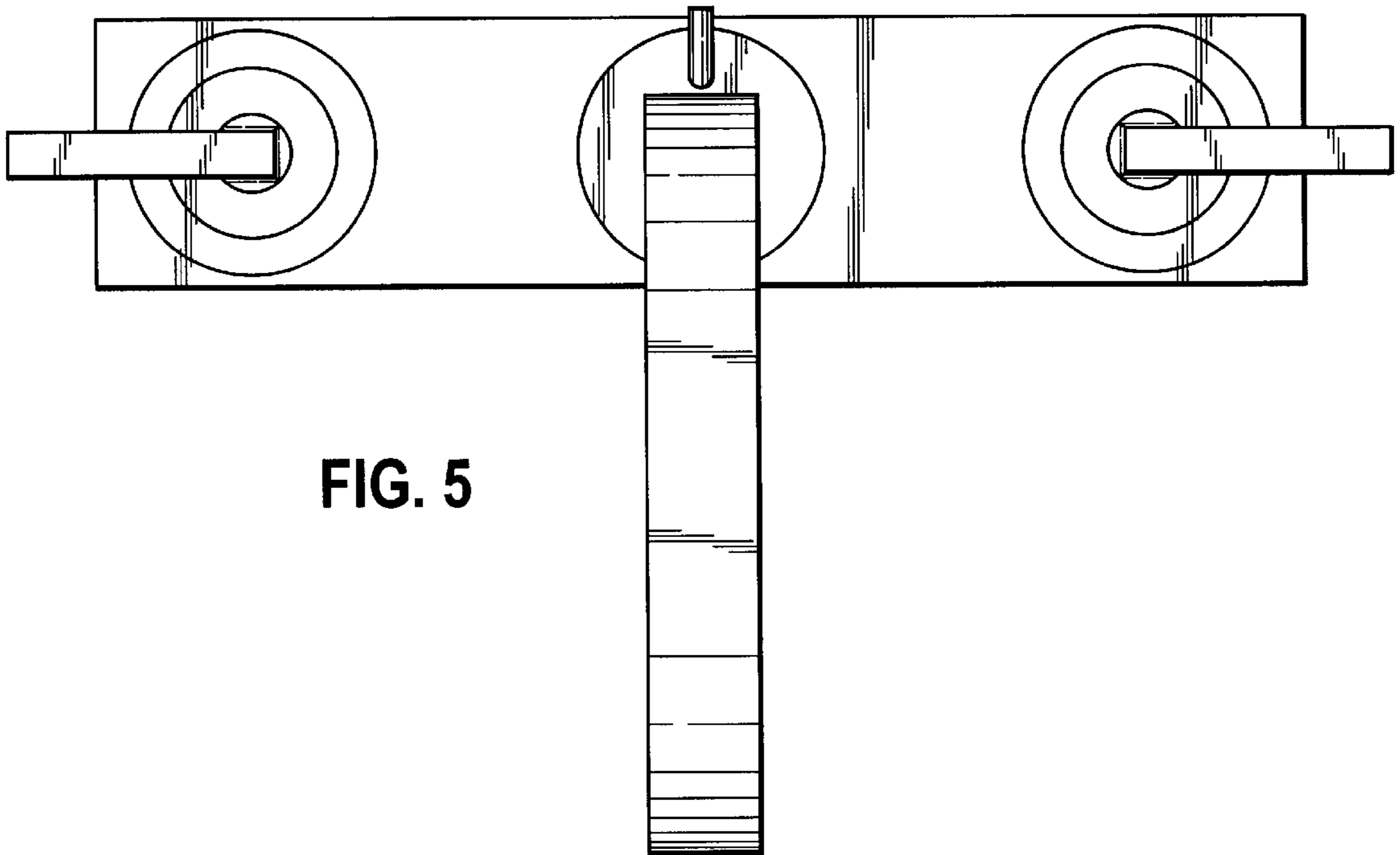


FIG. 4



**FIG. 5**

FIG. 6

