



US00D479582S

(12) **United States Design Patent**  
**Citterio**

(10) **Patent No.:** **US D479,582 S**

(45) **Date of Patent:** **\*\* Sep. 9, 2003**

(54) **SANITARY FAUCET**

(75) Inventor: **Antonio Citterio**, Milan (IT)

(73) Assignee: **Hansgrohe AG**, Schiltach (DE)

(\*\*) Term: **14 Years**

(21) Appl. No.: **29/166,711**

(22) Filed: **Sep. 3, 2002**

(30) **Foreign Application Priority Data**

Mar. 5, 2002 (DE) ..... 4 02 01 868

(51) **LOC (7) Cl.** ..... **23-01**

(52) **U.S. Cl.** ..... **D23/239; D23/241**

(58) **Field of Search** ..... **D23/238-243,**  
**D23/250-257, 223-228; 4/675-678; 137/801**

(56) **References Cited**

**U.S. PATENT DOCUMENTS**

D265,229 S	*	6/1982	Paul	.....	D23/242
D267,110 S	*	11/1982	Arnolds	.....	D23/242
D297,756 S	*	9/1988	Paul	.....	D23/242
D297,758 S	*	9/1988	Paul	.....	D23/252
D363,341 S	*	10/1995	Starck	.....	D23/223

**OTHER PUBLICATIONS**

RubINETTERIE Bandini, brochure "The Collections," two pages, Mar. 2002.

RubINETTERIE Alpi, brochure "Balmoral Collection," two pages, 1999.

Renata Piralla, catalog "Sign Collection 2001-2002," Mar. 2002.

RubINETTERIE Cristina, catalog "Collection 2000/2," pp. 18, 19, 2000.

RubINETTERIE Cristina, catalog "disegno," on page, Jan., 2001.

\* cited by examiner

*Primary Examiner*—Louis S. Zarfes

*Assistant Examiner*—Gregory Andoll

(74) *Attorney, Agent, or Firm*—Duane Morris LLP

(57) **CLAIM**

The ornamental design for a sanitary faucet, as shown and described.

**DESCRIPTION**

FIG. 1: is a side perspective view of the sanitary faucet showing my new design;

FIG. 2: is a front elevation view thereof;

FIG. 3: is a side elevation view thereof;

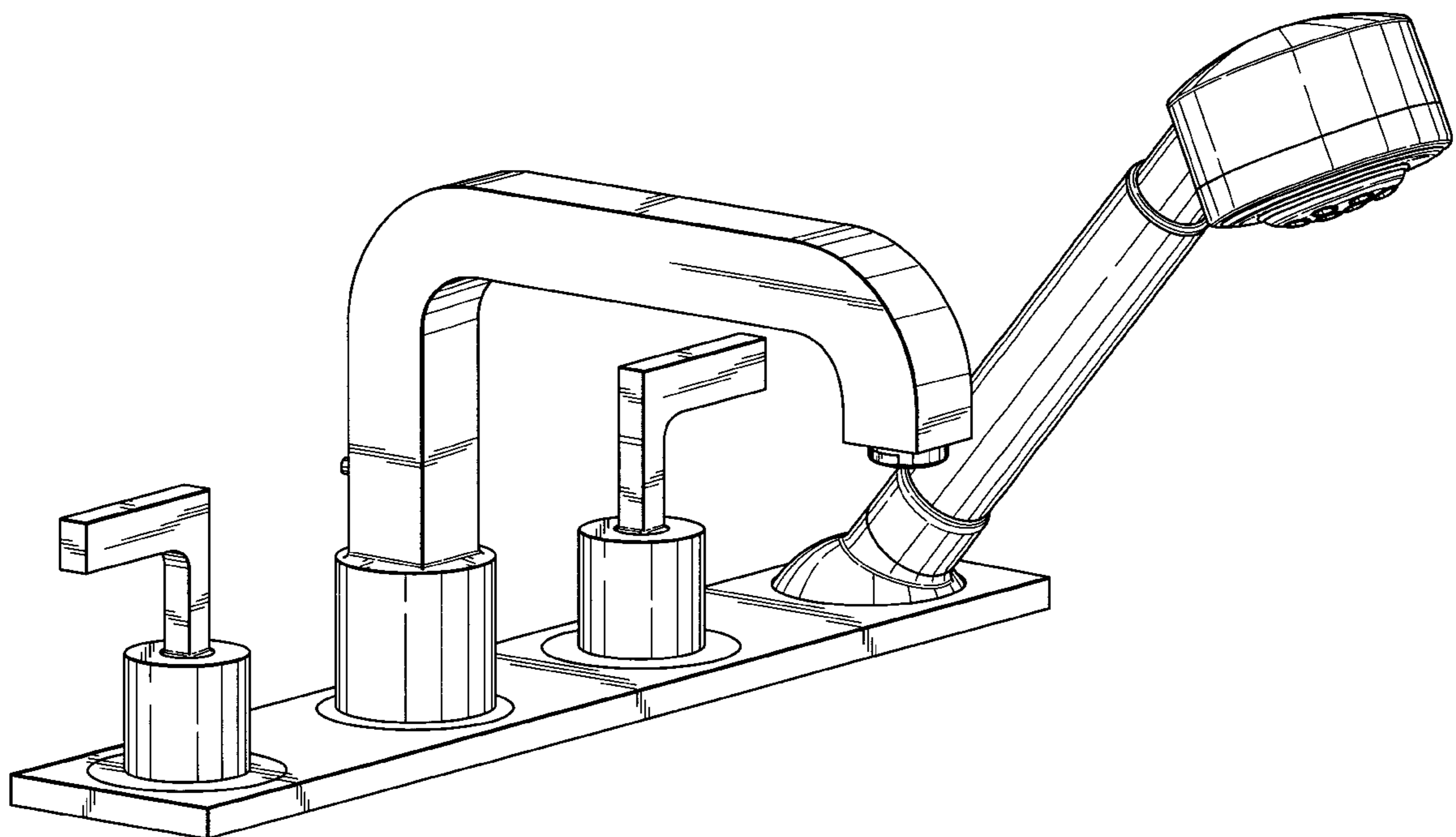
FIG. 4: is the opposite side elevation view thereof;

FIG. 5: is a bottom plan view thereof;

FIG. 6: is a rear elevation view thereof; and,

FIG. 7: is a top plan view thereof.

**1 Claim, 7 Drawing Sheets**



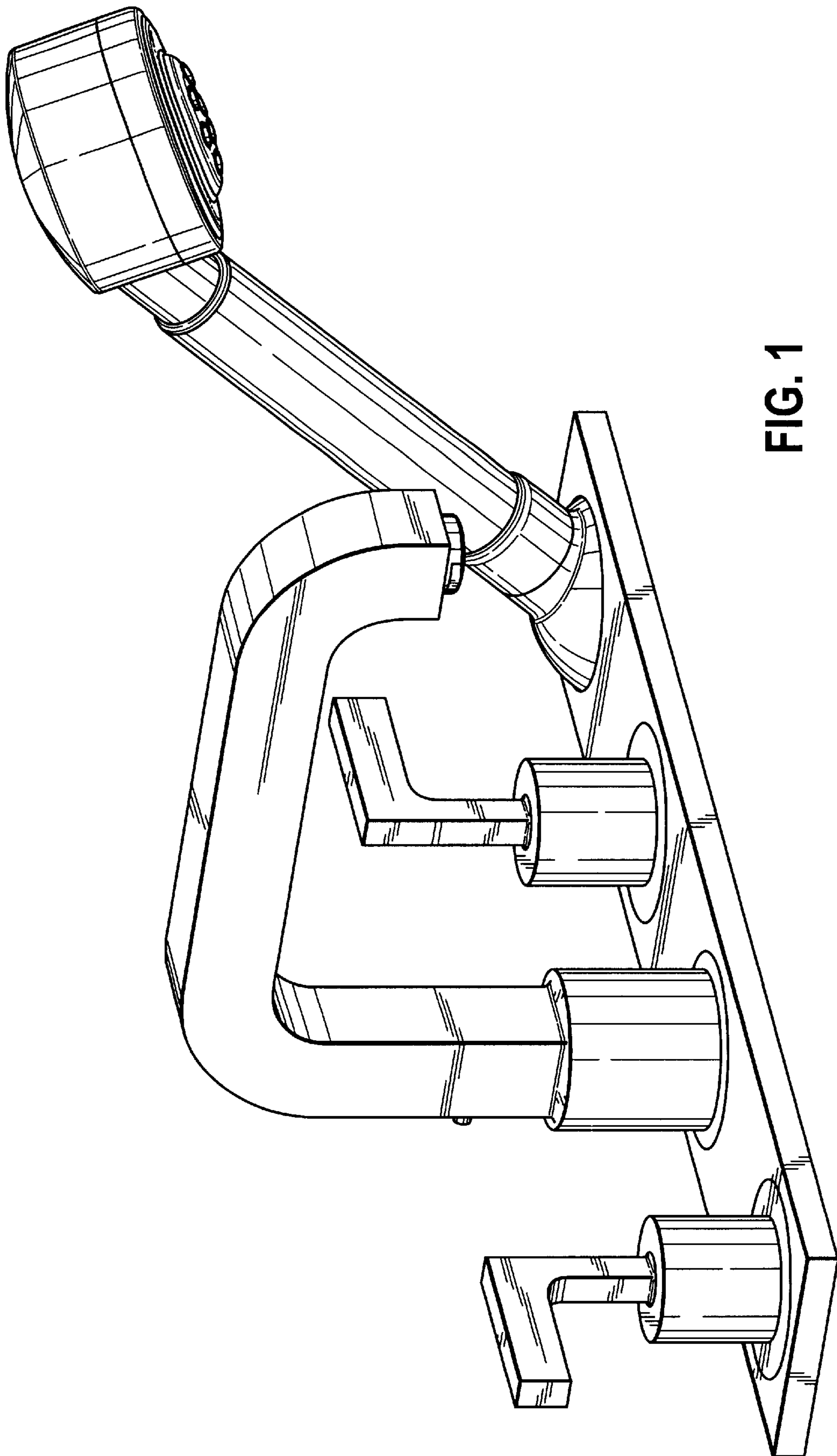


FIG. 1

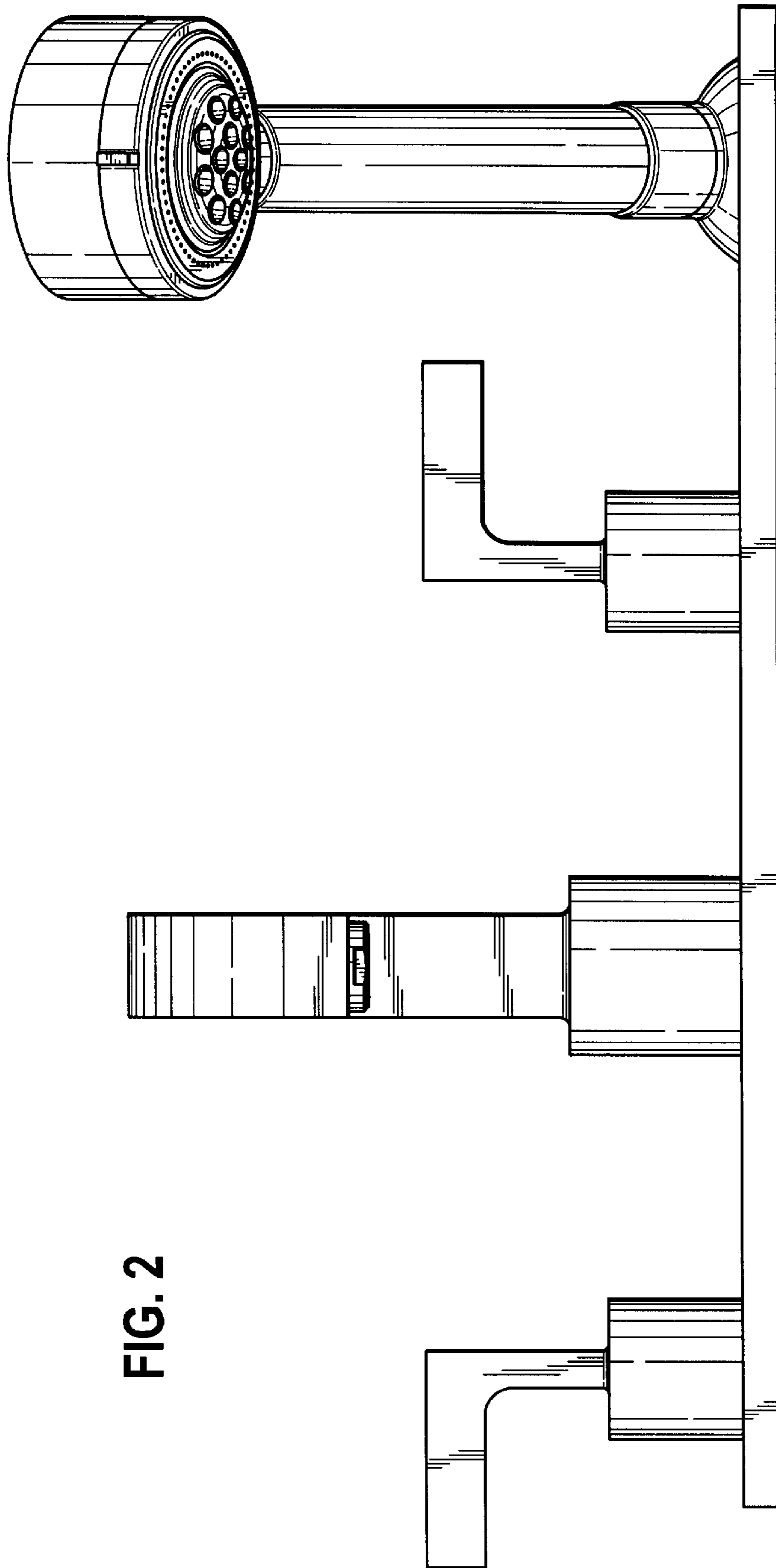


FIG. 2

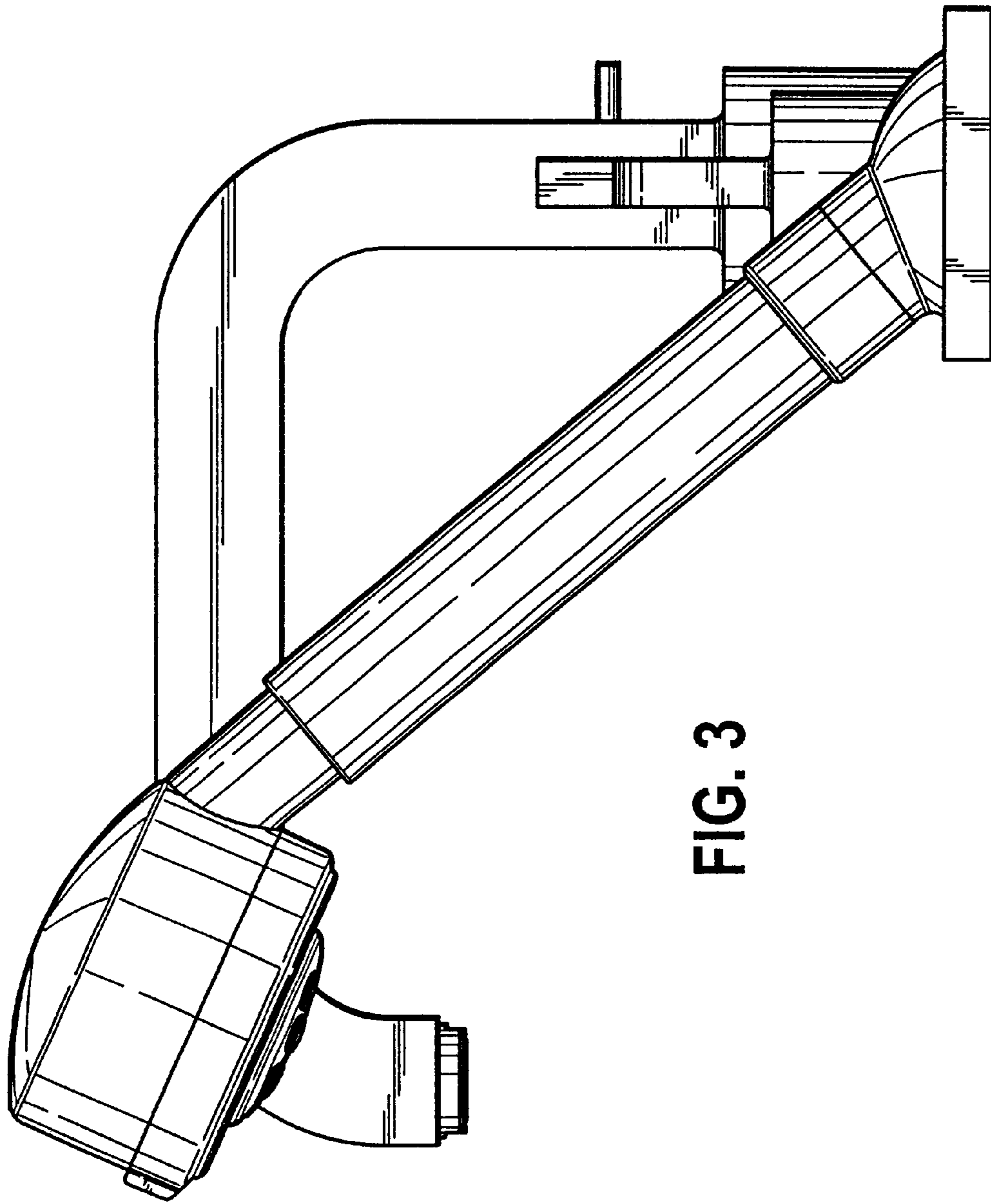
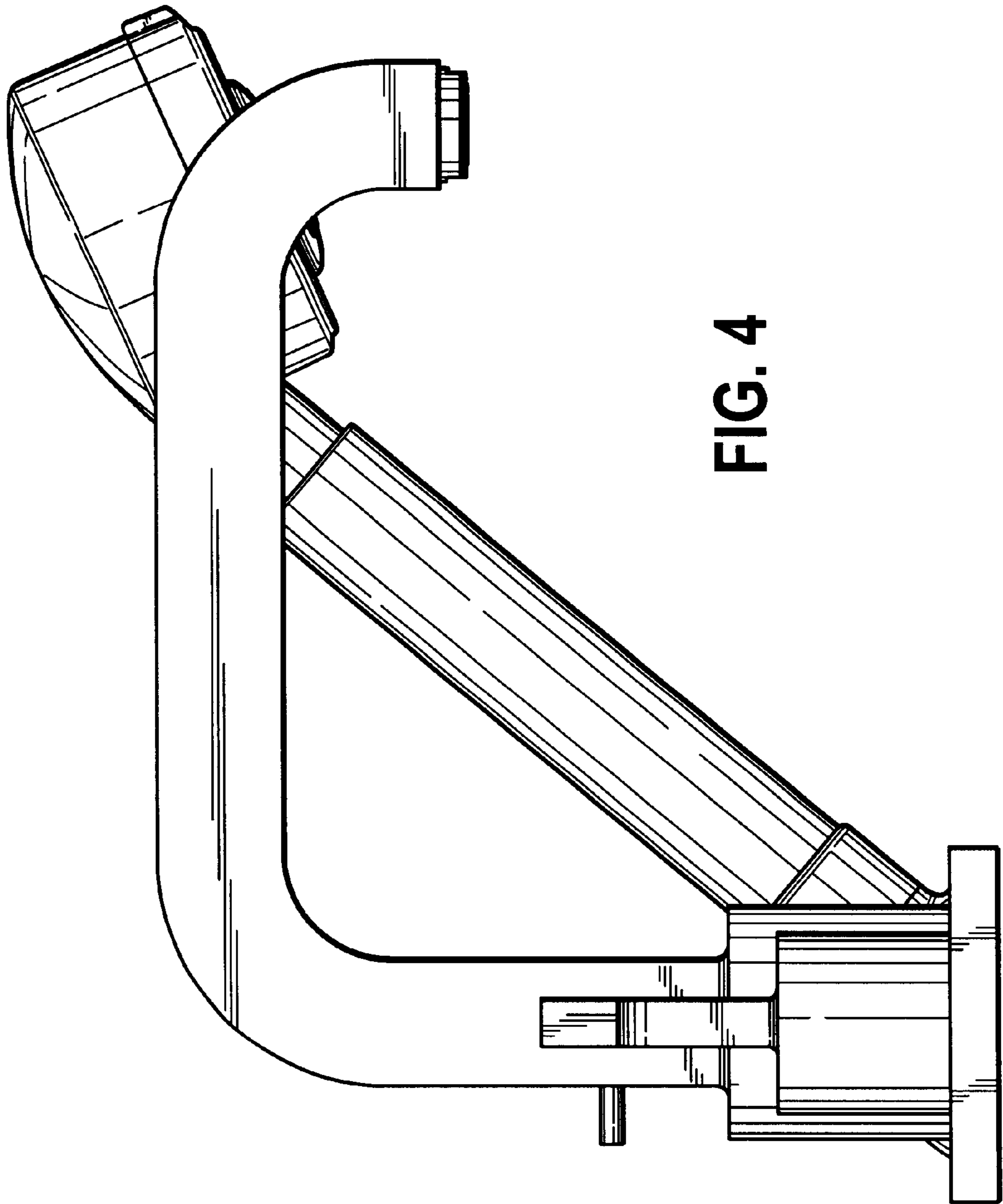


FIG. 3





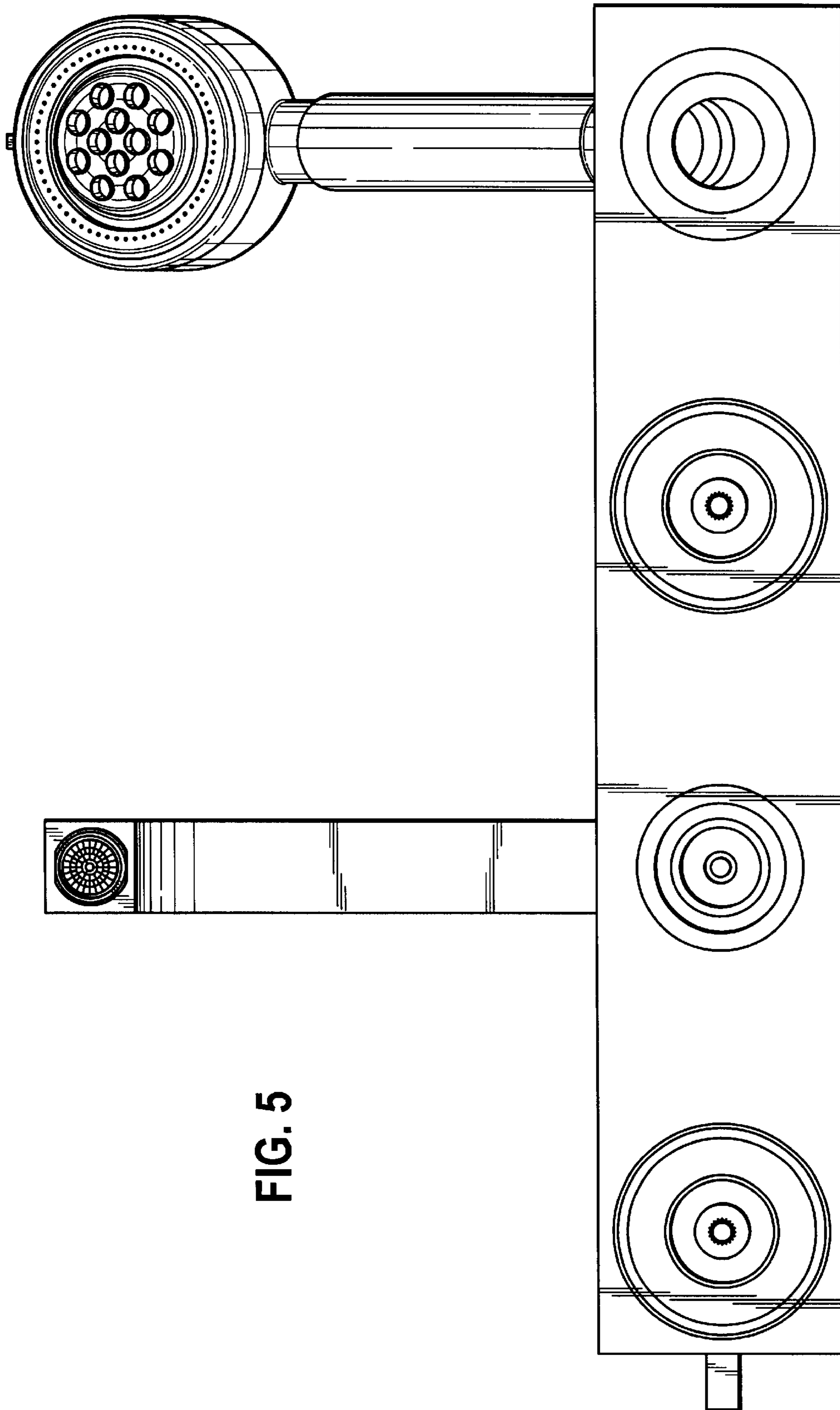
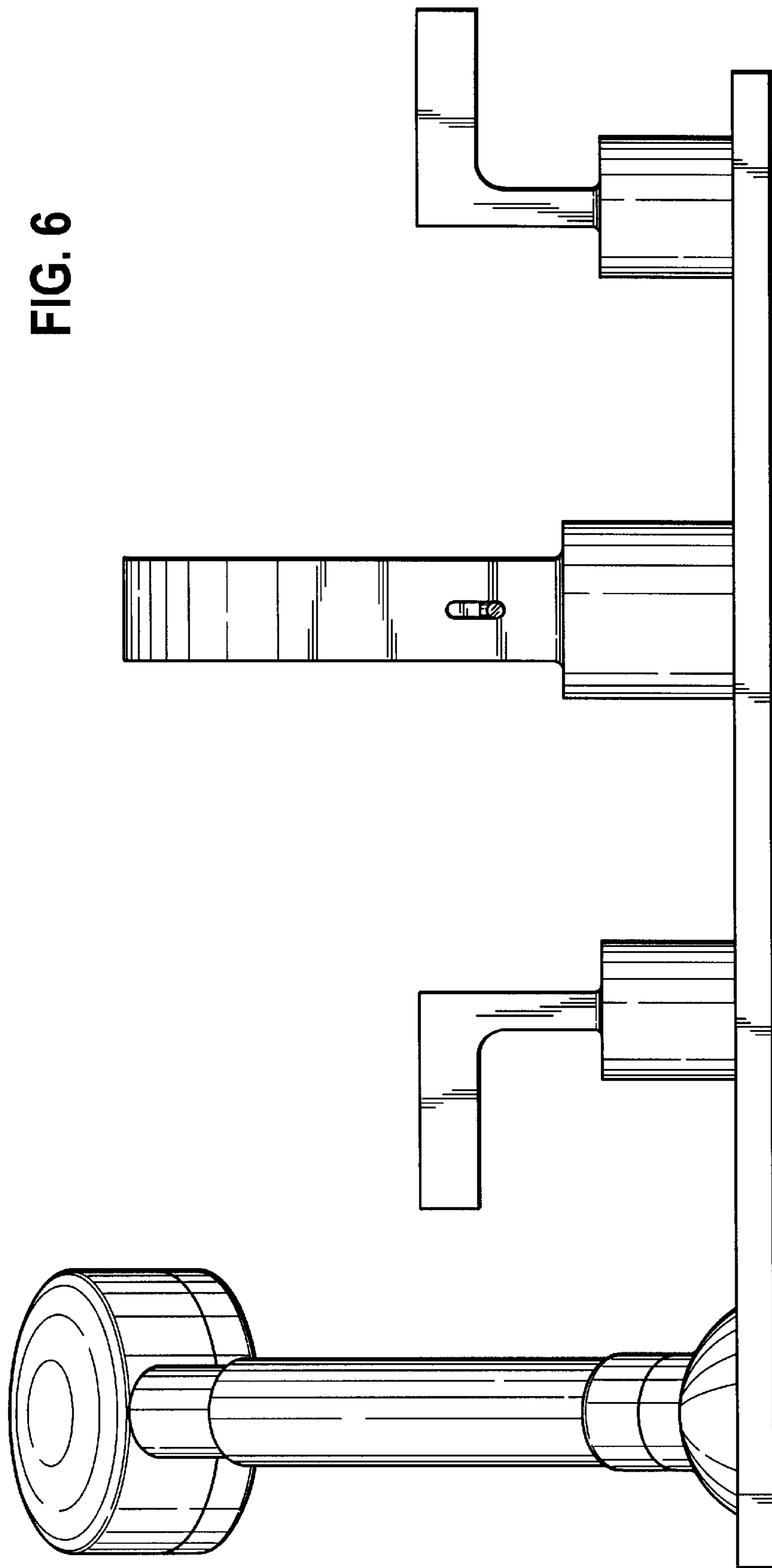


FIG. 5

FIG. 6



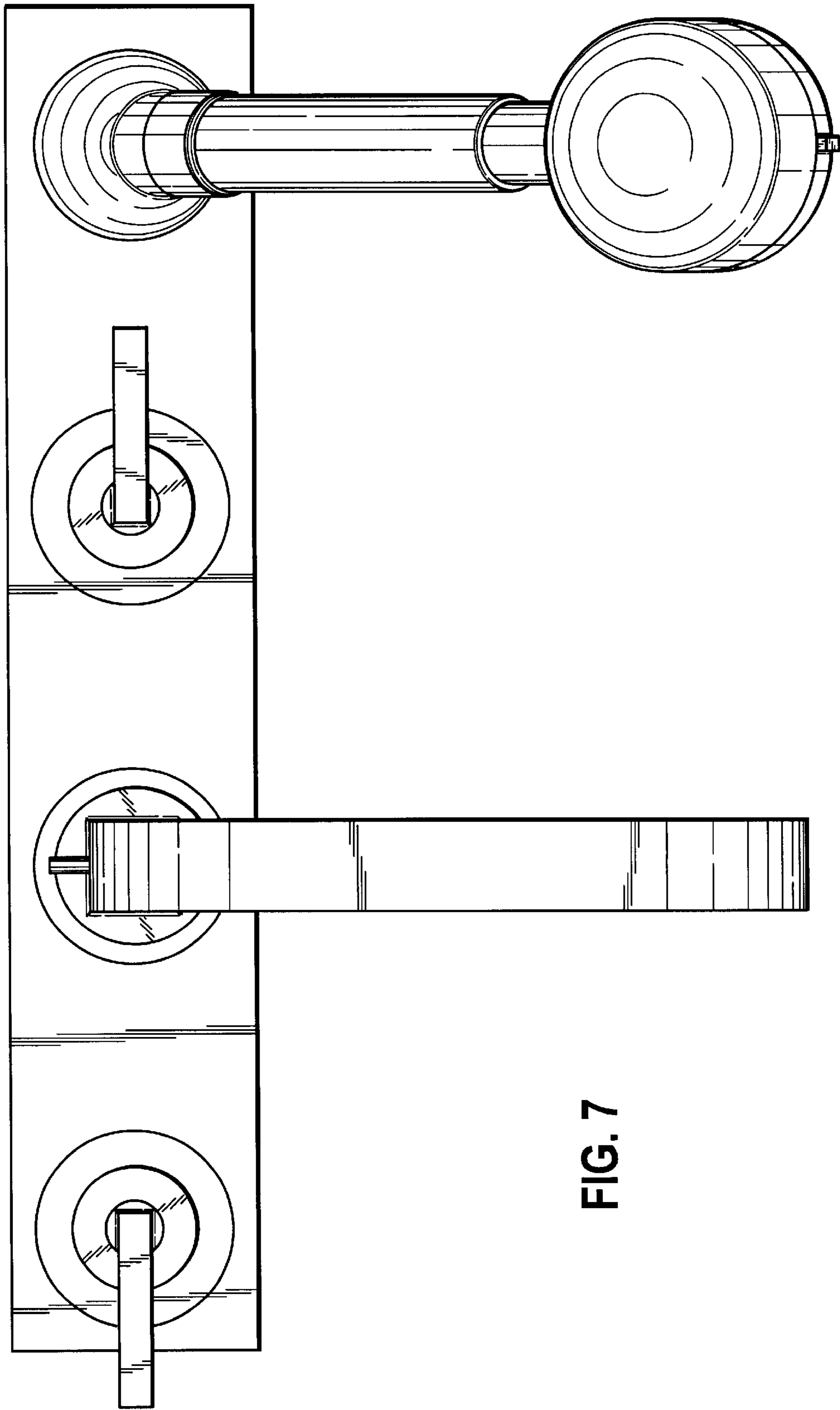


FIG. 7