



US00D479580S

(12) **United States Design Patent**  
**Haug et al.**

(10) **Patent No.:** **US D479,580 S**

(45) **Date of Patent:** **\*\* Sep. 9, 2003**

(54) **SANITARY FAUCET**

(75) Inventors: **Andreas Haug**, Stuttgart (DE); **Tom Schönherr**, Stuttgart (DE); **Peter Kolin**, Schwäbisch-Gmünd (DE); **Fabian Kollmann**, Stuttgart (DE)

(73) Assignee: **Hansgrohe AG**, Schiltach (DE)

(\*\*) Term: **14 Years**

(21) Appl. No.: **29/172,551**

(22) Filed: **Dec. 13, 2002**

(30) **Foreign Application Priority Data**

Jun. 14, 2002 (DE) ..... 402 05 005

(51) **LOC (7) Cl.** ..... **23-01**

(52) **U.S. Cl.** ..... **D23/238**

(58) **Field of Search** ..... D23/238-243,  
D23/250-257; 4/675-678; 137/801

(56) **References Cited**

**U.S. PATENT DOCUMENTS**

D379,648 S	*	6/1997	Fleischmann	.....	D23/238
D423,647 S	*	4/2000	Gottwald et al.	.....	D23/238
D443,916 S	*	6/2001	Mullenmeister	.....	D23/238
D458,667 S	*	6/2002	Gottwald	.....	D23/252

**OTHER PUBLICATIONS**

RubINETTERIE Bandini brochure, "The collections", four pages, Mar., 2002.

Framo rubINETTERIA brochure, one page, Mar., 2002.

Dornbracht catalog, two pages, Mar., 2001.

\* cited by examiner

*Primary Examiner*—Louis S. Zarfes

*Assistant Examiner*—Gregory Andoll

(74) *Attorney, Agent, or Firm*—Duane Morris LLP

(57) **CLAIM**

The ornamental design for a sanitary faucet, as shown and described.

**DESCRIPTION**

FIG. 1: is a side perspective view of the sanitary faucet showing our new design;

FIG. 2: is a front elevation view thereof;

FIG. 3: is a side elevation view thereof, the opposite side being a mirror image;

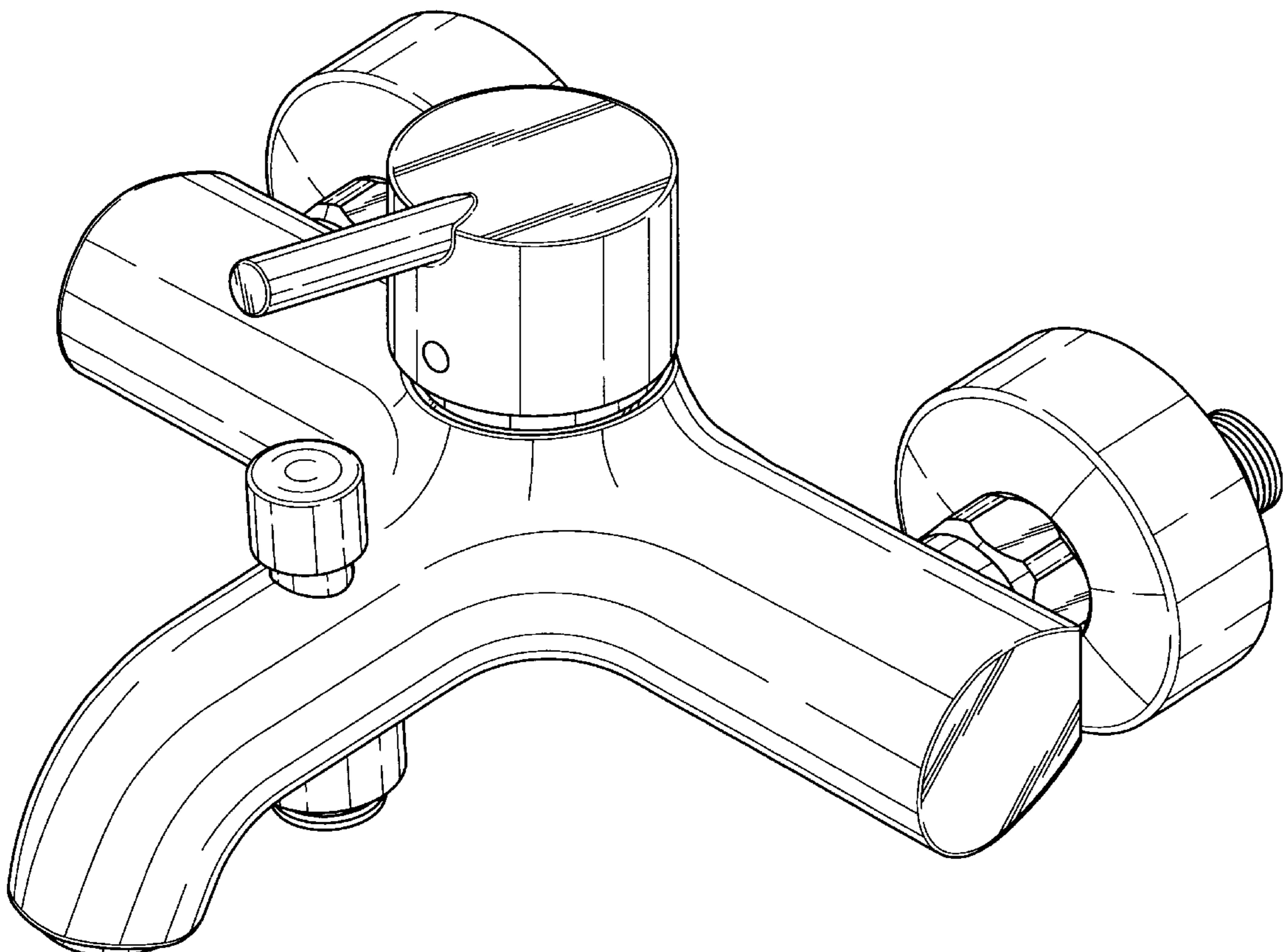
FIG. 4: is a rear elevation view thereof;

FIG. 5: is a bottom plan view thereof; and,

FIG. 6: is a top plan view thereof.

The broken lines in the Figures are for illustrative purposes only and form no part of the claimed design.

**1 Claim, 6 Drawing Sheets**



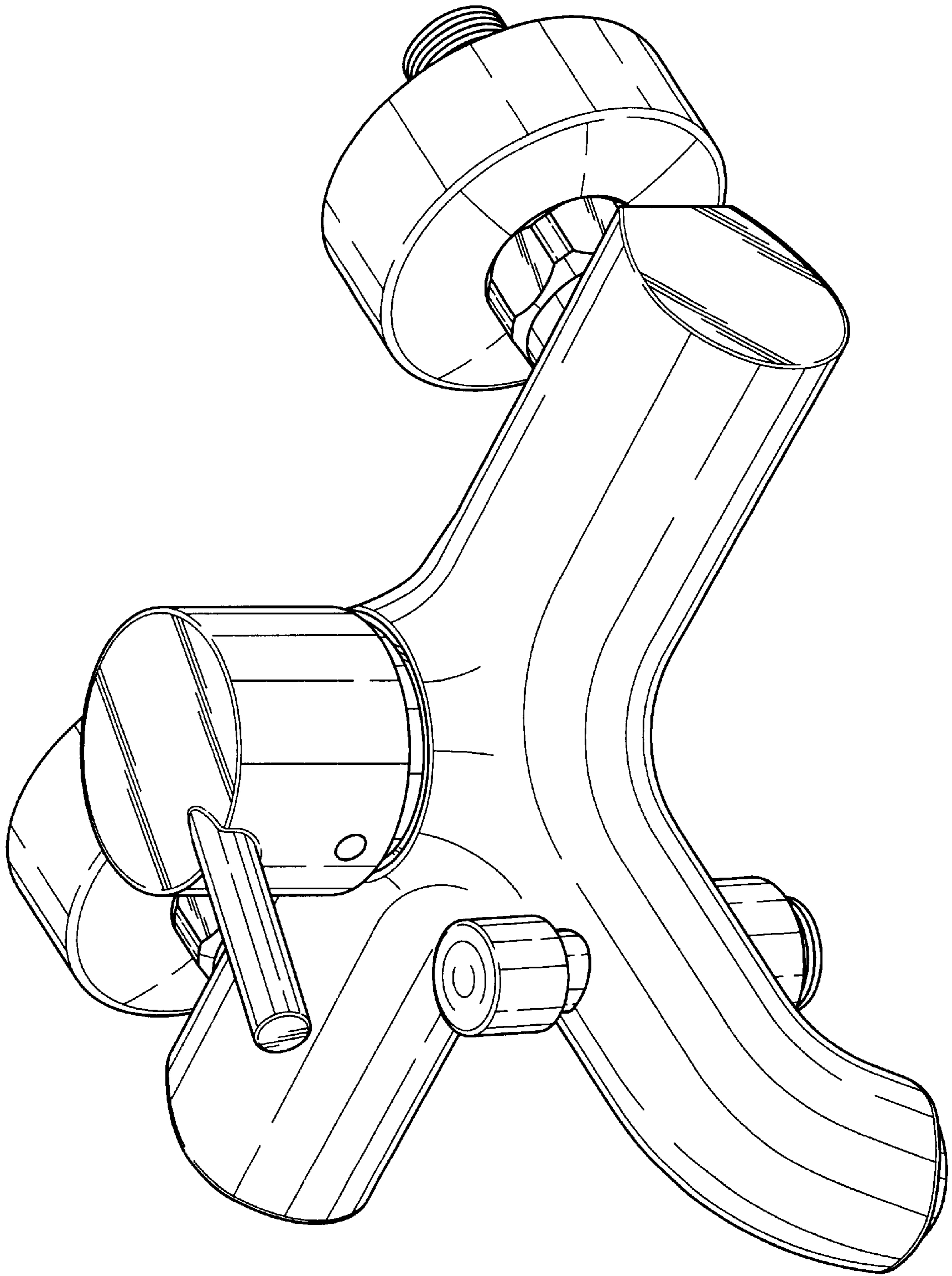


Fig. 1

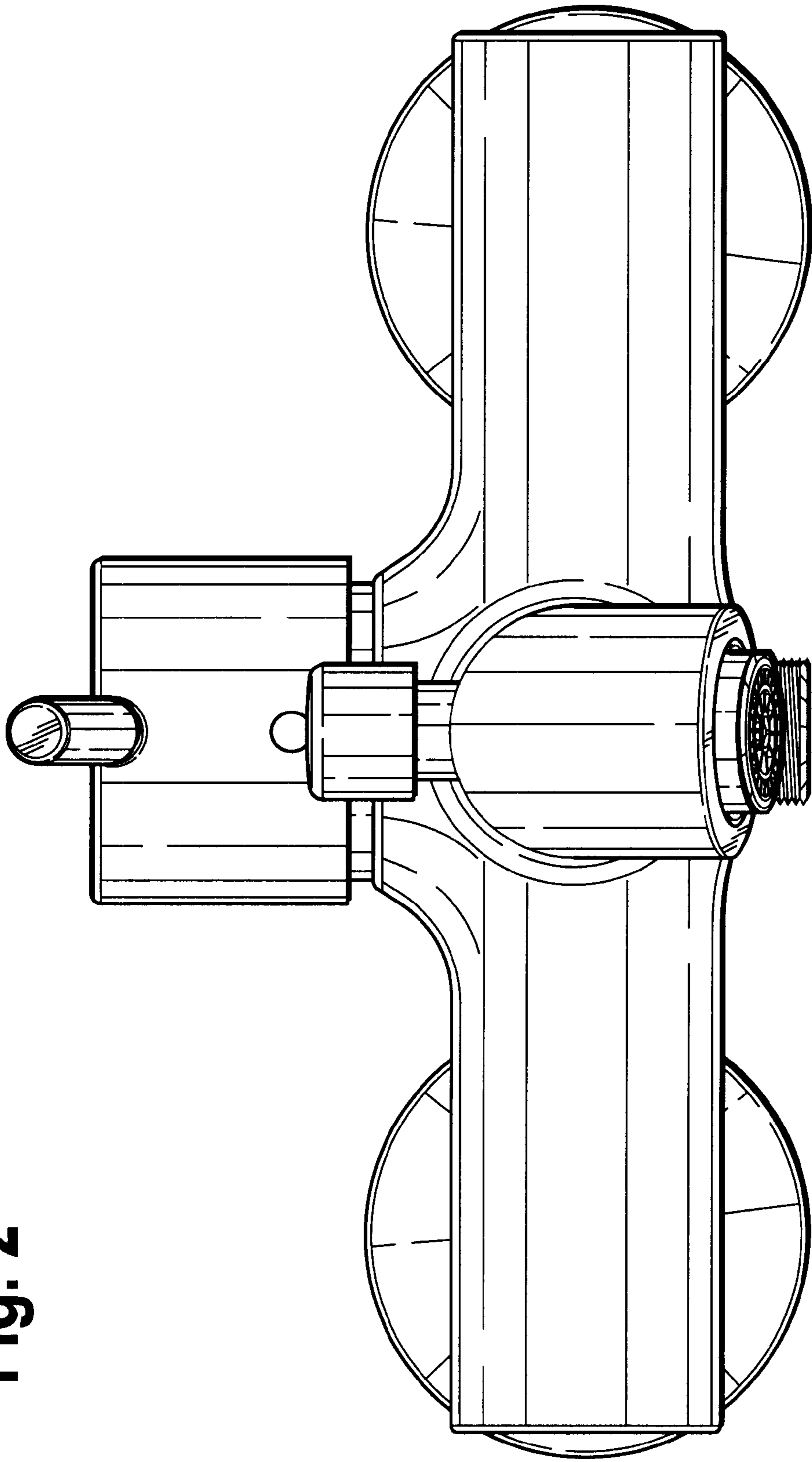
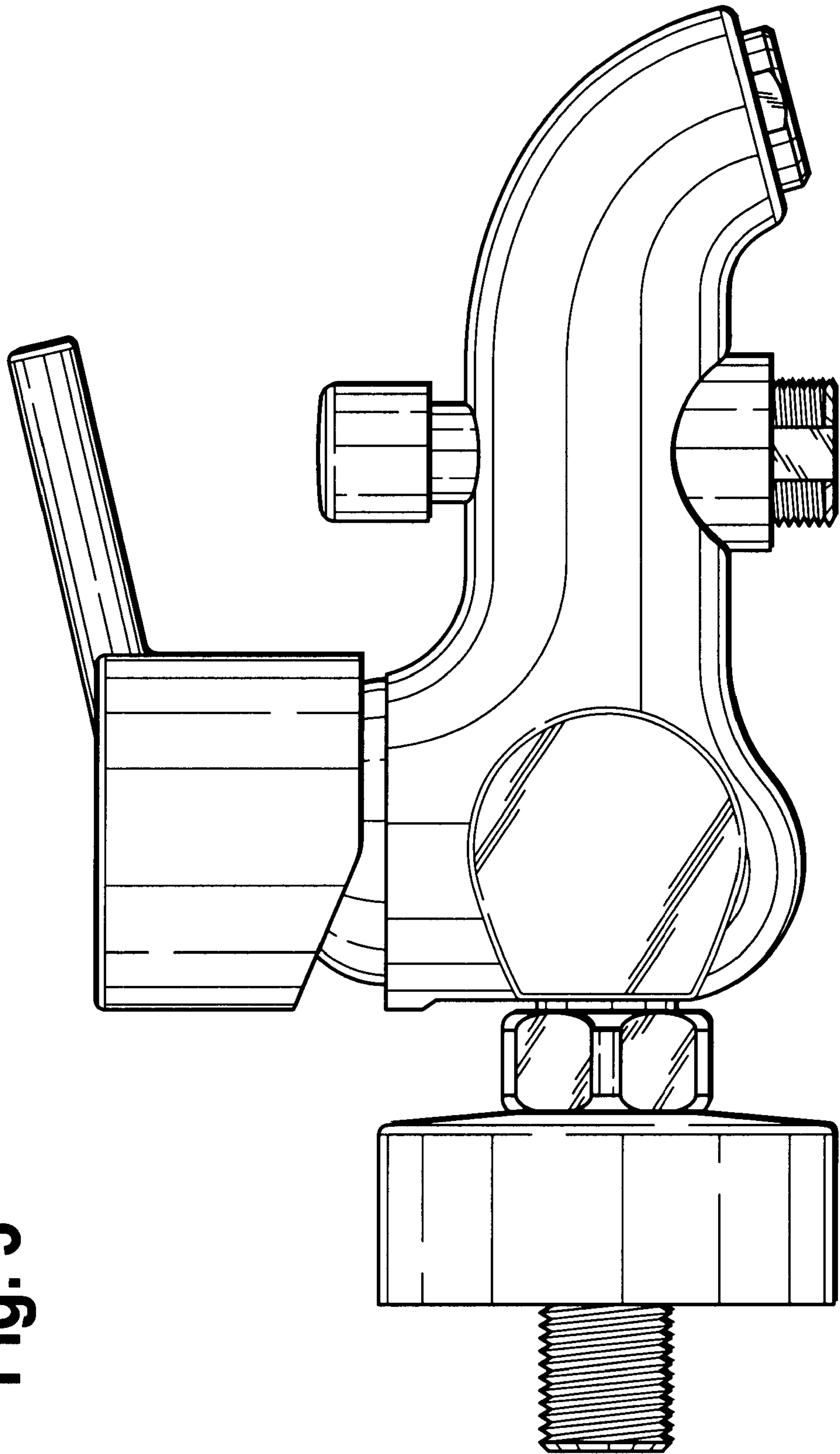


Fig. 2

**Fig. 3**



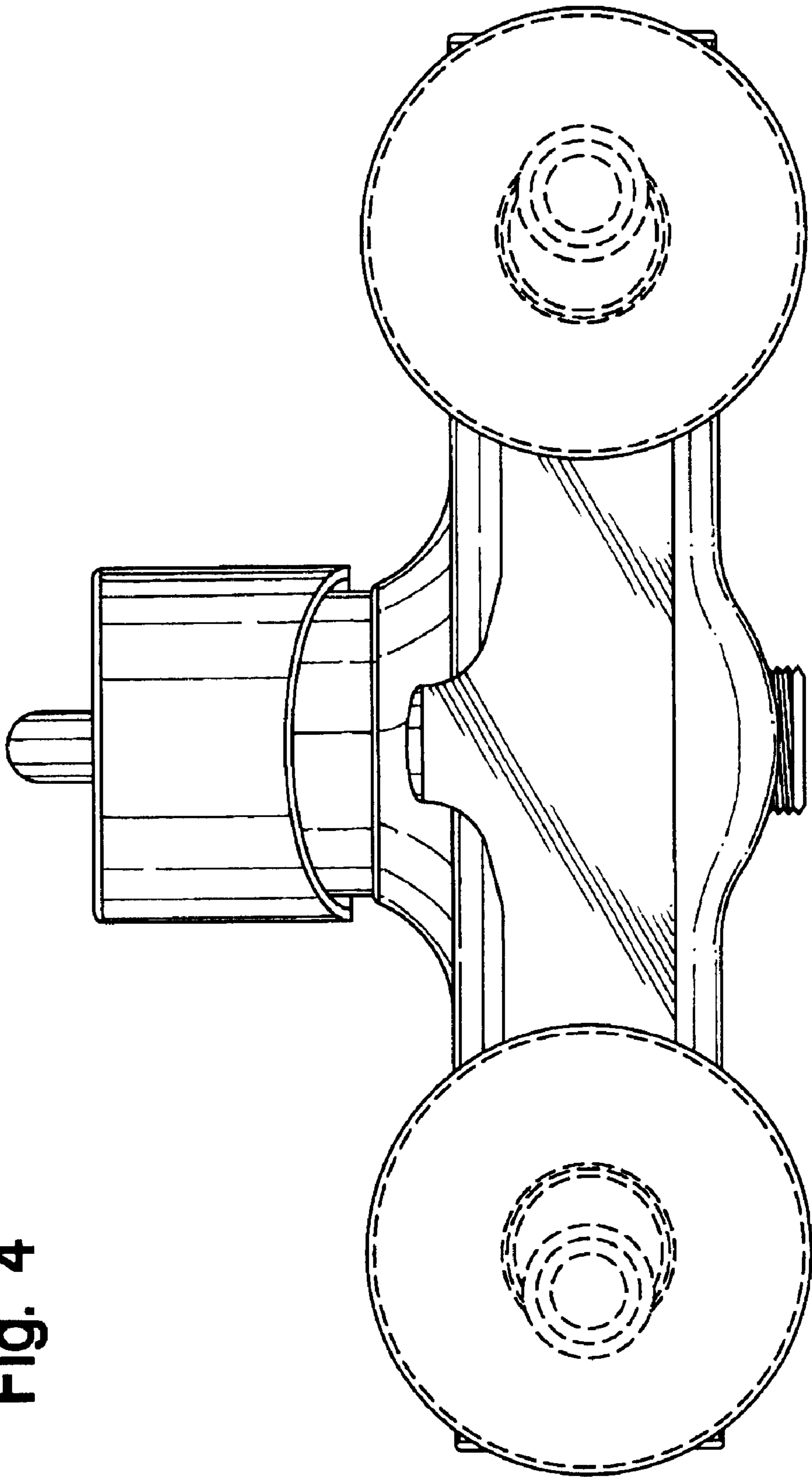


Fig. 4

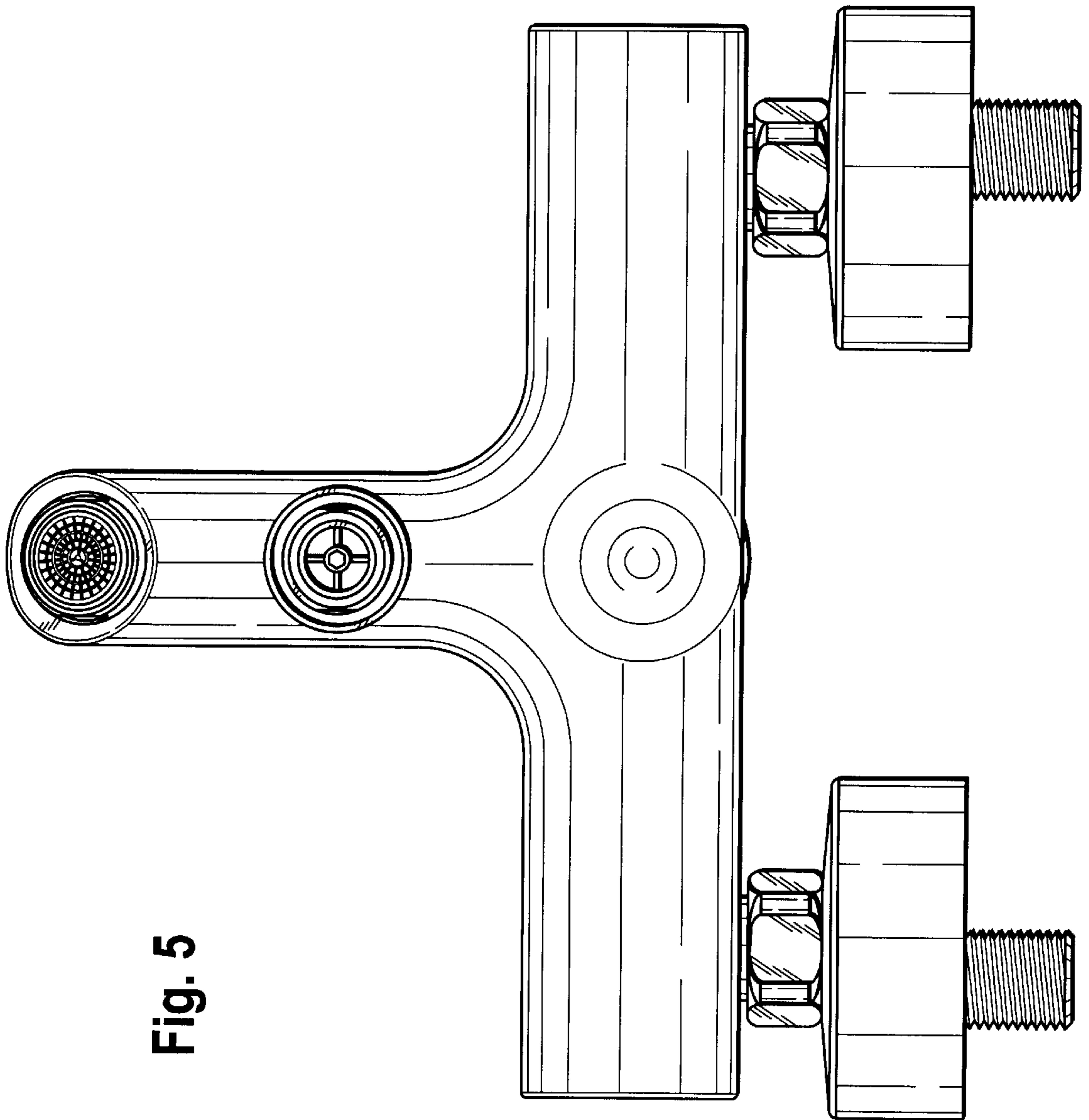


Fig. 5

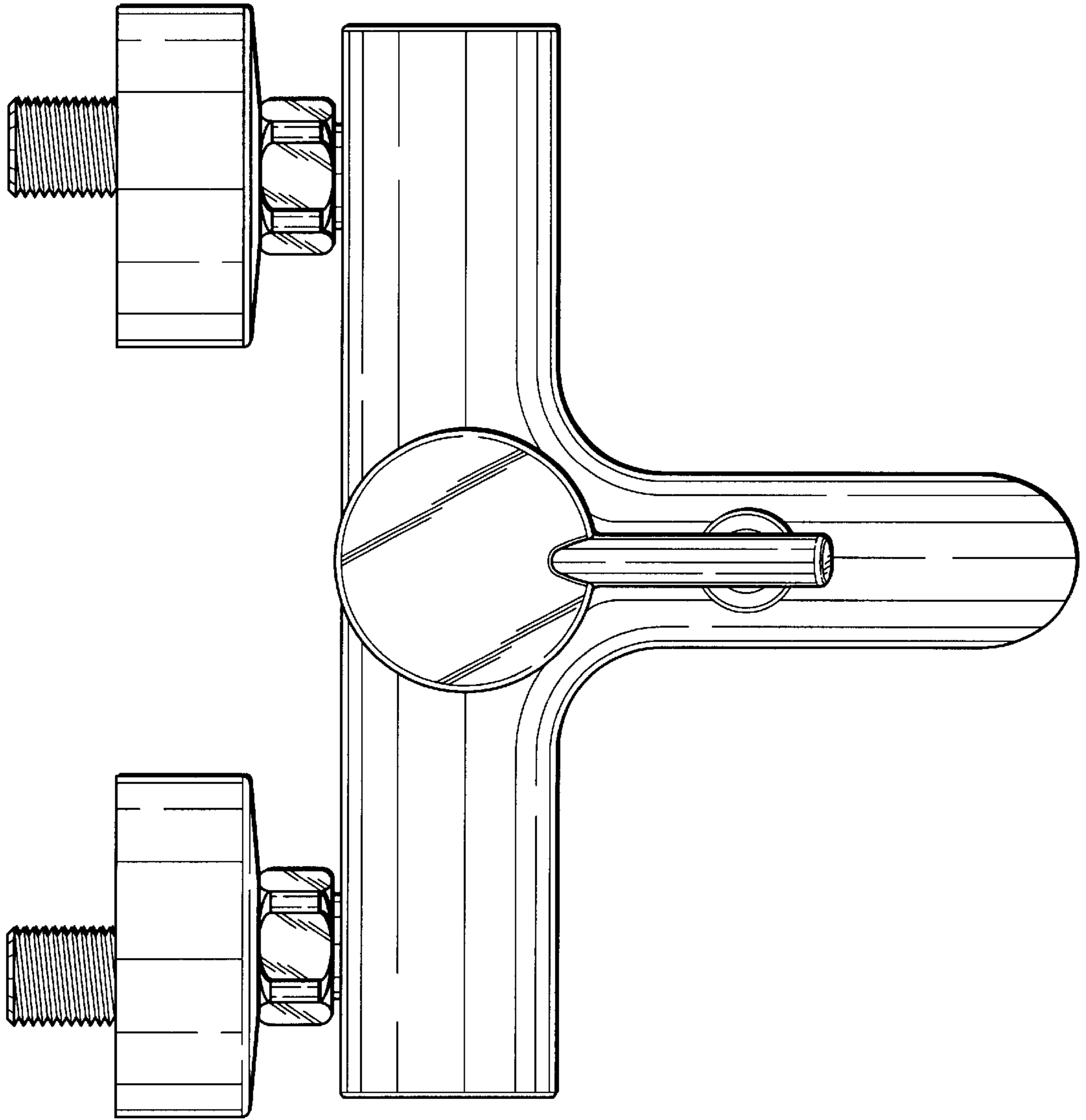


Fig. 6