



US00D479579S

(12) **United States Design Patent**
Haug et al.

(10) **Patent No.: US D479,579 S**

(45) **Date of Patent: ** Sep. 9, 2003**

(54) **SANITARY FITTING, ESPECIALLY KITCHEN FAUCET**

(75) Inventors: **Andreas Haug**, Stuttgart (DE); **Tom Schönherr**, Stuttgart (DE); **Andreas Dimitriadis**, Lorch (DE); **Fabian Kollmann**, Stuttgart (DE)

(73) Assignee: **Hansgrohe AG**, Schiltach (DE)

(**) Term: **14 Years**

(21) Appl. No.: **29/166,709**

(22) Filed: **Sep. 3, 2002**

(30) **Foreign Application Priority Data**

Mar. 4, 2002 (DE) 4 02 01 848

(51) **LOC (7) Cl. 23-01**

(52) **U.S. Cl. D23/238**

(58) **Field of Search D23/238-243, D23/250-257; 4/675-678; 137/801**

(56) **References Cited**

U.S. PATENT DOCUMENTS

5,758,690 A * 6/1998 Humpert et al. 137/801
D443,337 S * 6/2001 Mark et al. D23/238
D457,938 S * 5/2002 Lobermeier D23/238
D468,398 S * 1/2003 Zeimann D23/238
D469,157 S * 1/2003 Lobermeier D23/238

OTHER PUBLICATIONS

Hesa, brochure "Collezione 2000," one page, 2000.
Ideal Standard, catalog, "Lebensraum Küche," one page, Mar., 2001.

RubINETTERIE, brochure, "Bandini," eight pages, Feb., 2002.
Dornbracht, catalog, Nouvelle Cuisine².

* cited by examiner

Primary Examiner—Louis S. Zarfes

Assistant Examiner—Gregory Andoll

(74) *Attorney, Agent, or Firm*—Duane Morris LLP

(57) **CLAIM**

The ornamental design for a sanitary fitting, especially kitchen faucet, as shown and described.

DESCRIPTION

FIG. 1: is a side perspective view of the sanitary fitting, especially kitchen faucet, showing our new design;

FIG. 2: is another side perspective view of the faucet shown in FIG. 1, whereas the water outlet is shown in an extended position;

FIG. 3: is a side elevation view of the faucet shown in FIG. 1;

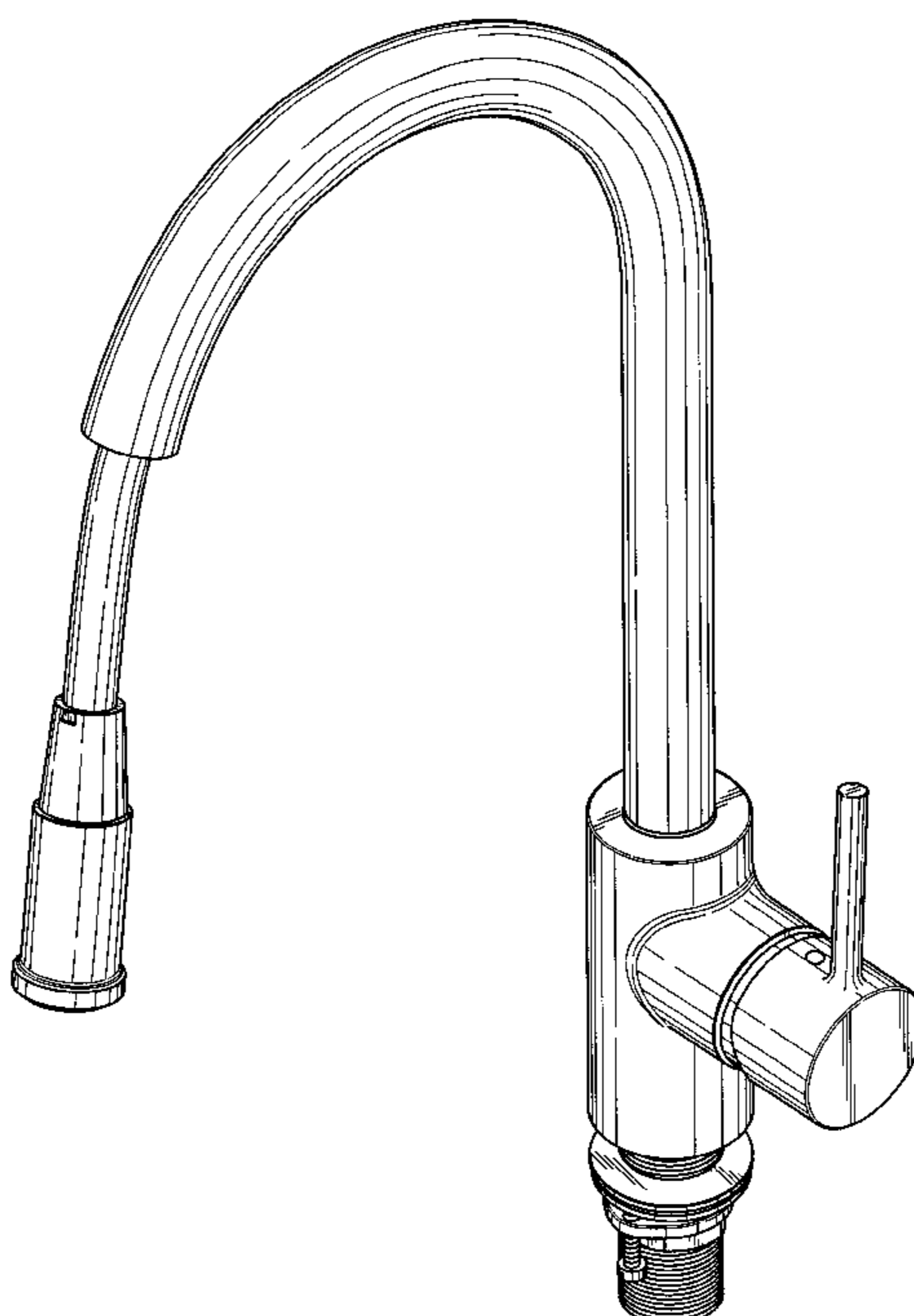
FIG. 4: is the opposite side elevation view of the faucet shown in FIG. 1;

FIG. 5: is a rear elevation view of the faucet shown in FIG. 1;

FIG. 6: is a front elevation view of the faucet shown in FIG. 1;

FIG. 7: is a top plan view of the faucet shown in FIG. 1; and, FIG. 8 is a bottom plan view of the faucet shown in FIG. 1.

1 Claim, 6 Drawing Sheets



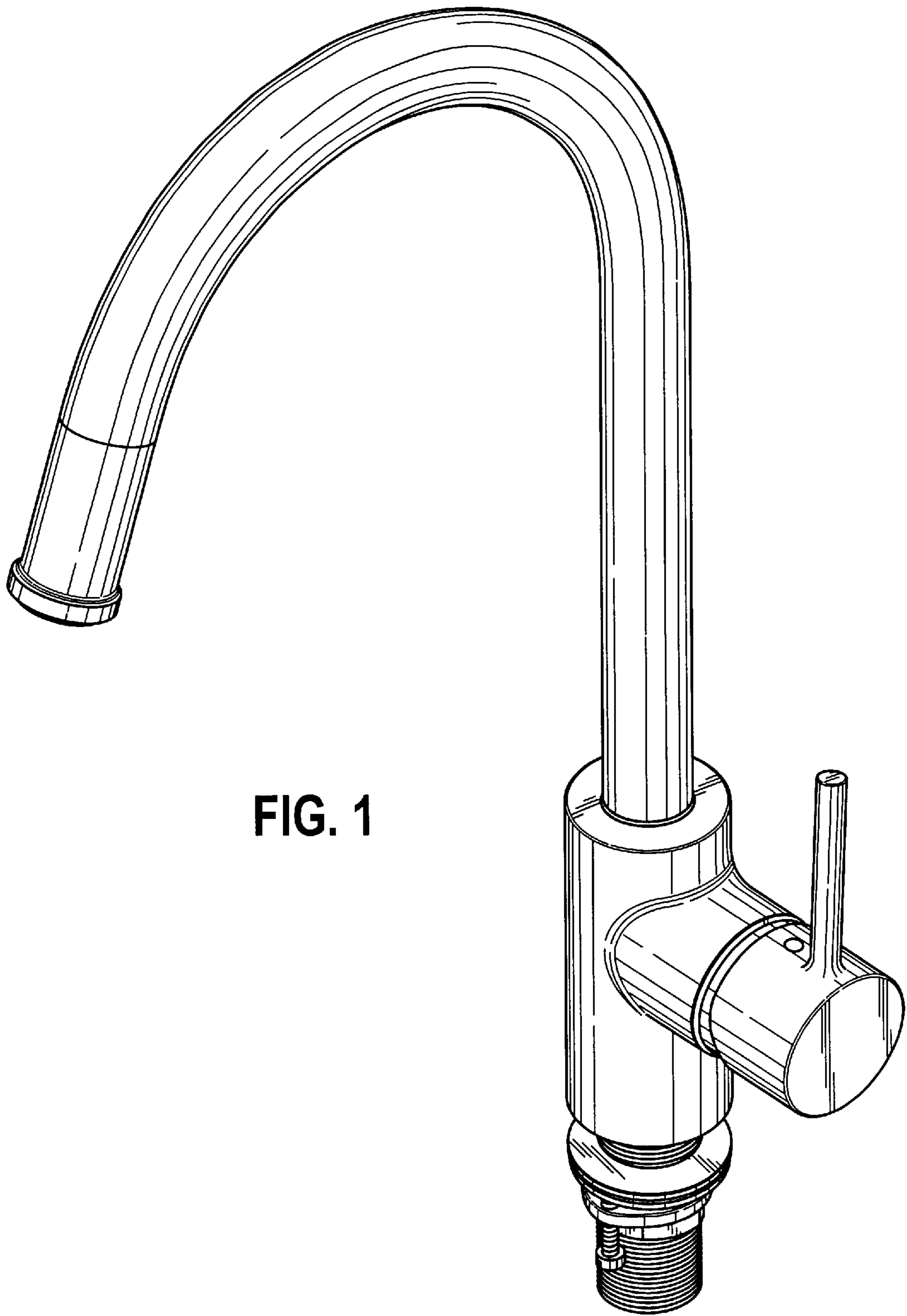
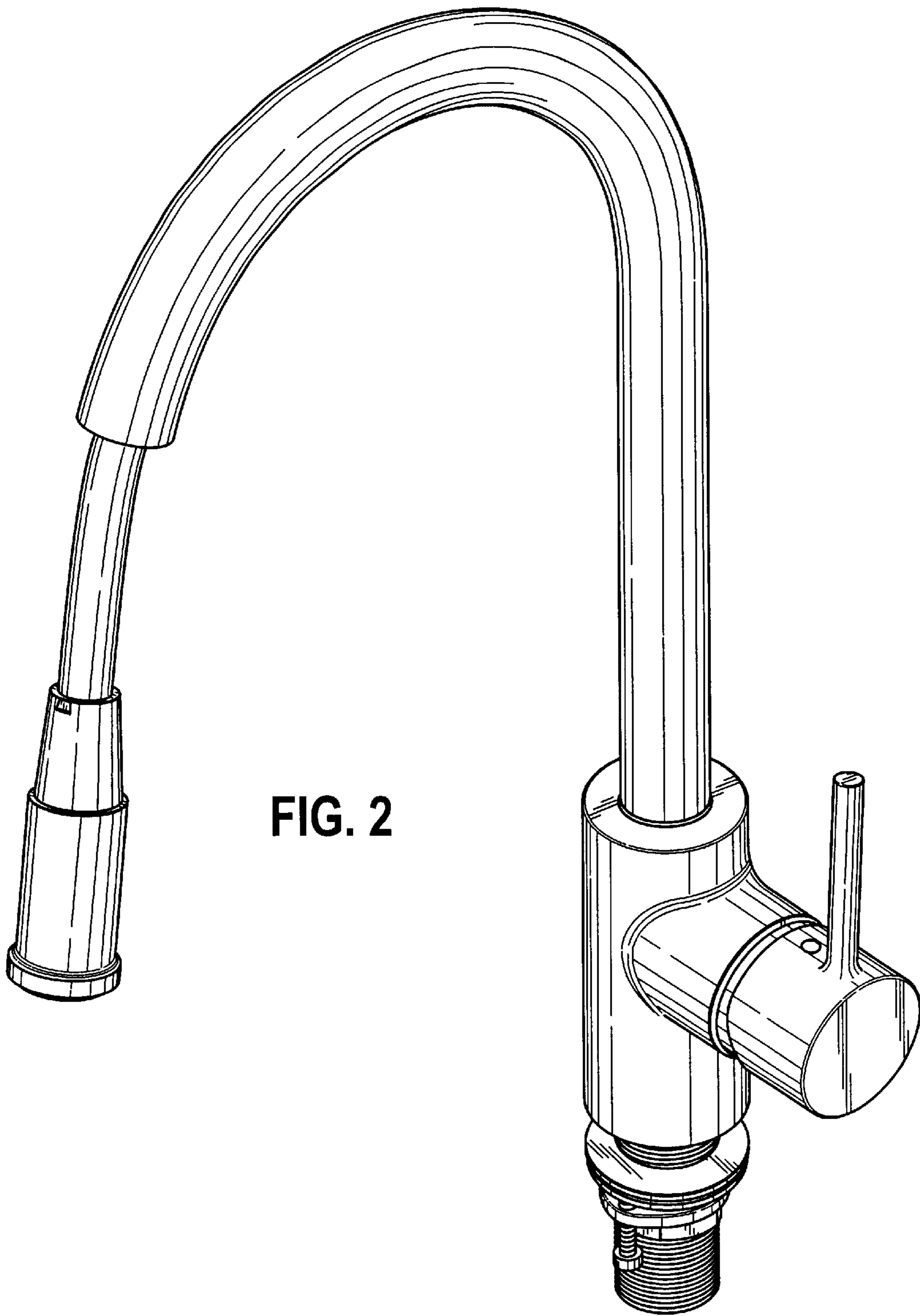


FIG. 1



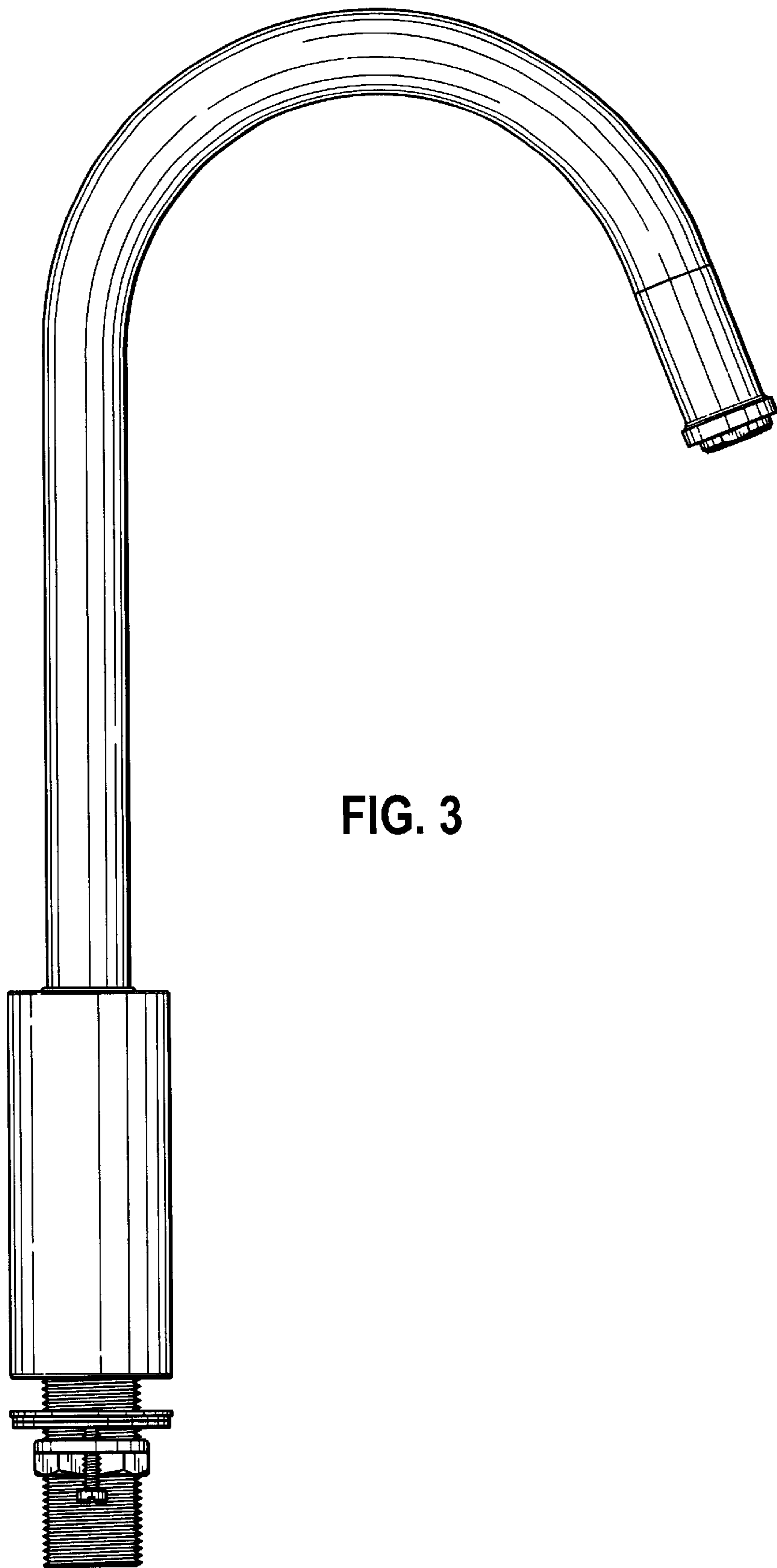


FIG. 3

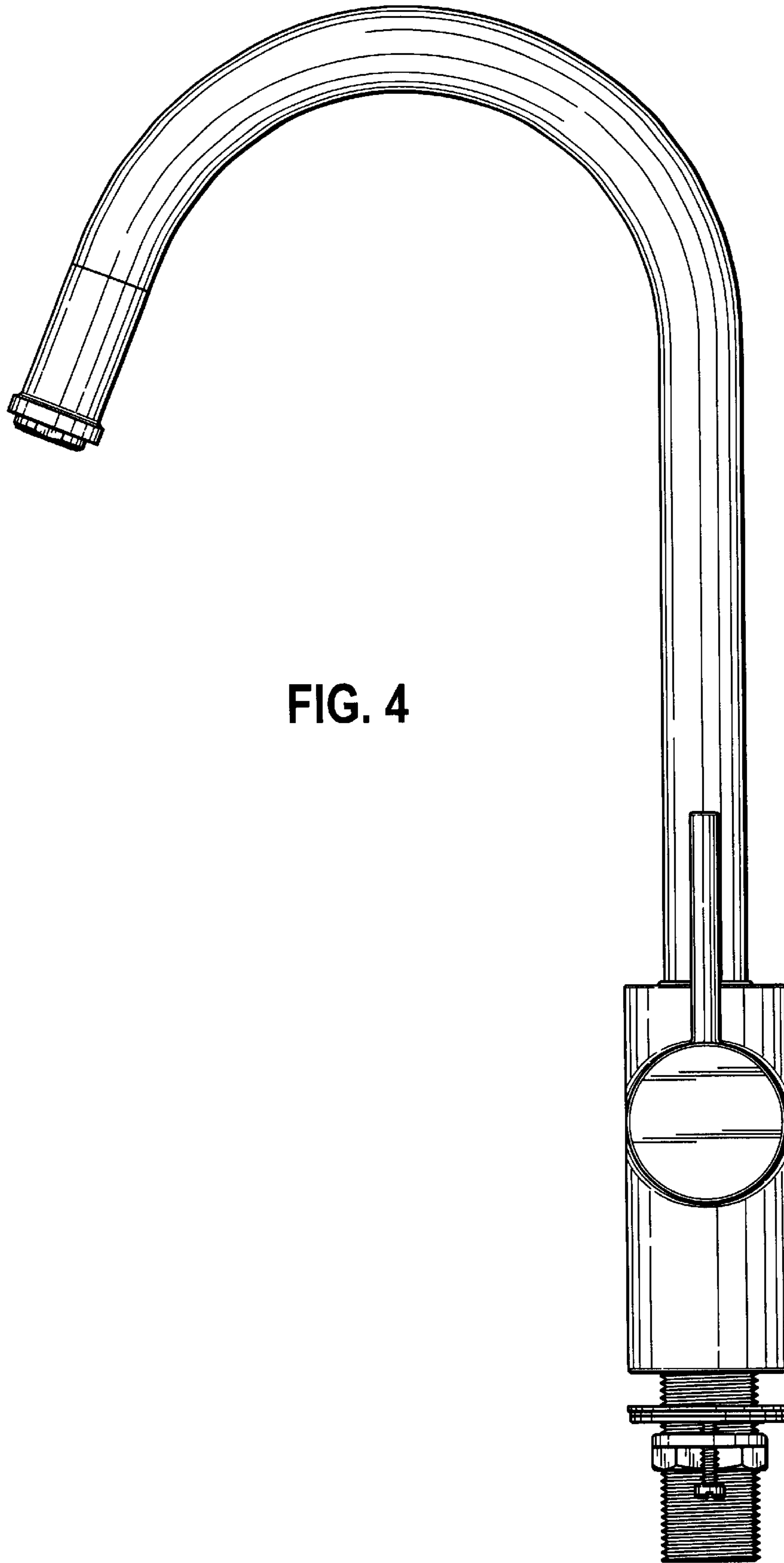


FIG. 4

FIG. 5

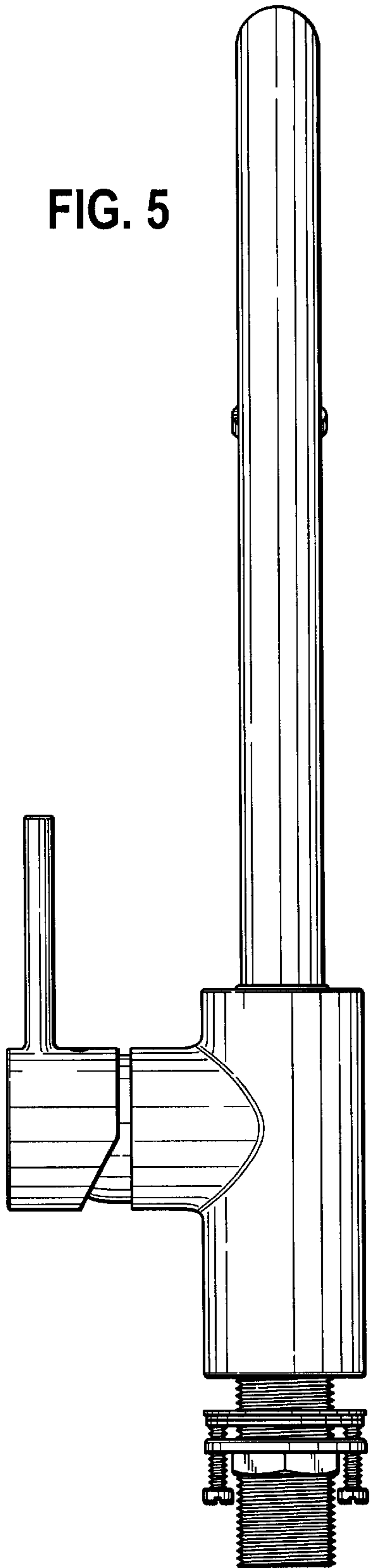


FIG. 6

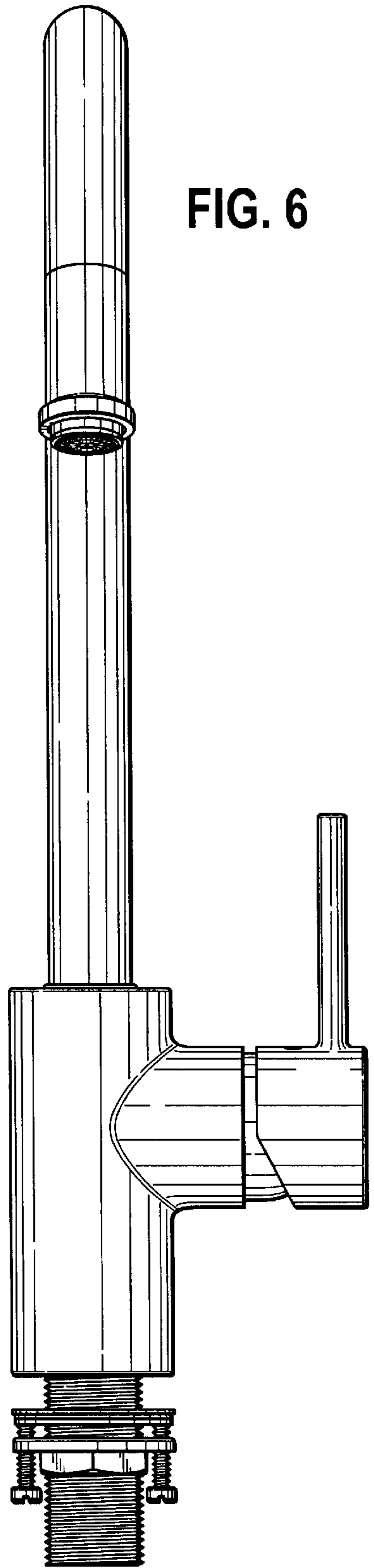


FIG. 7

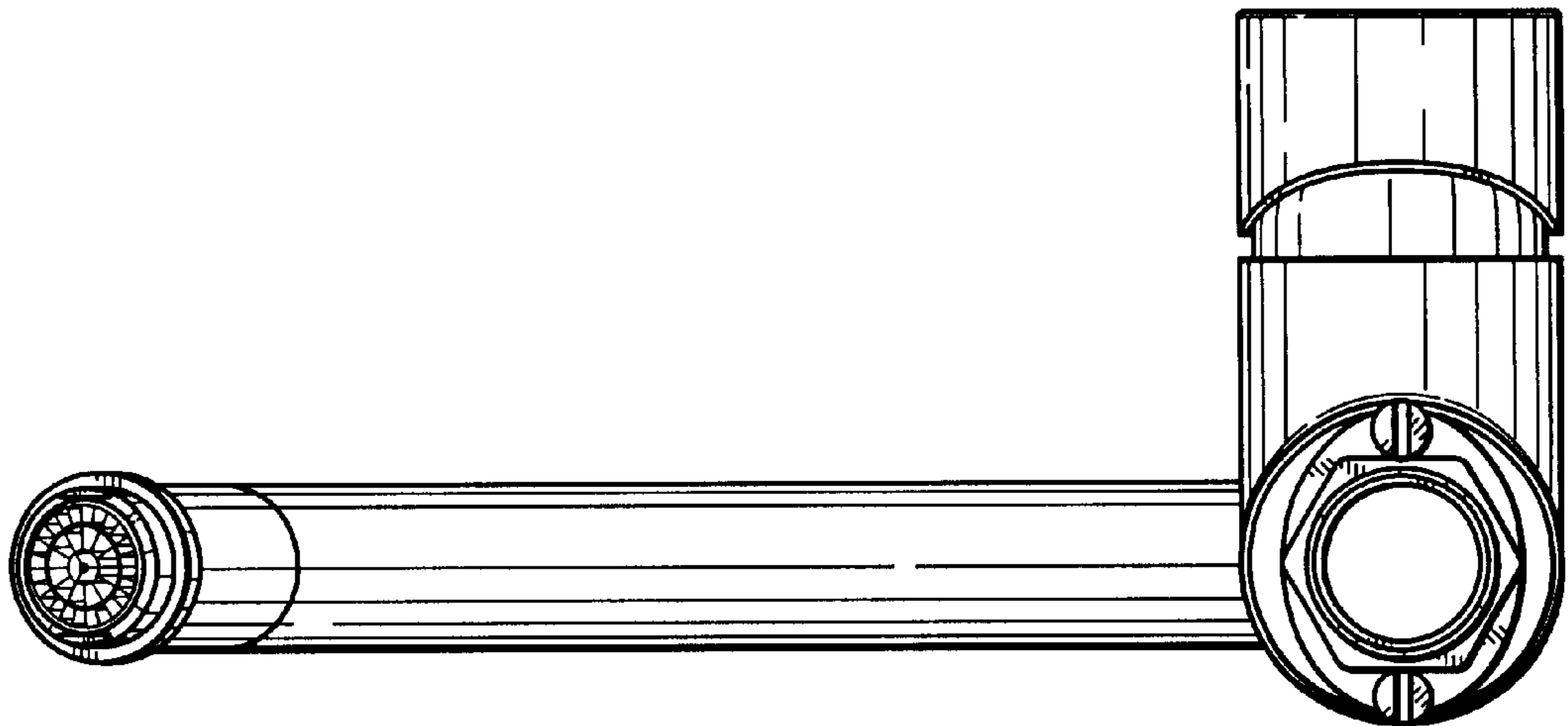
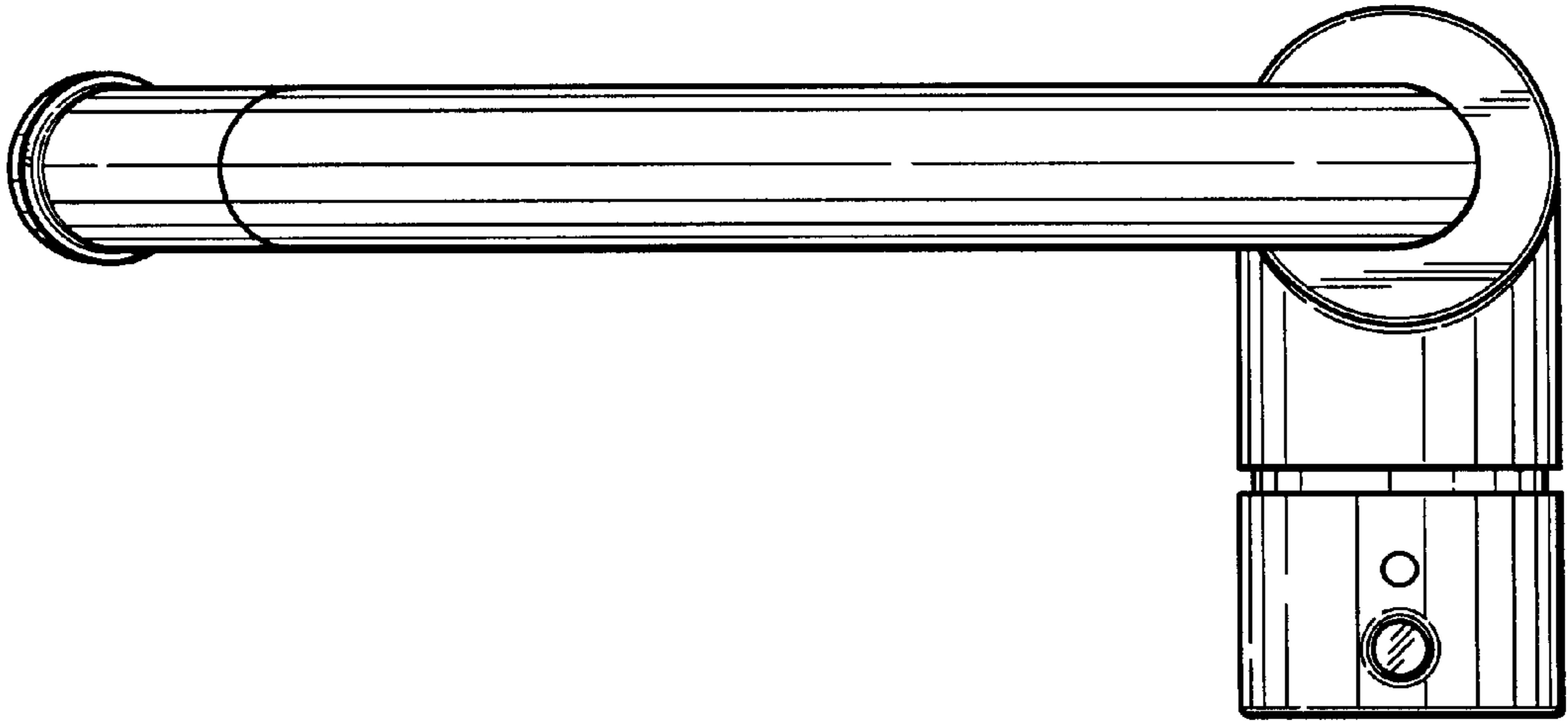


FIG. 8