



US00D479576S

(12) **United States Design Patent**
Wright

(10) **Patent No.:** **US D479,576 S**

(45) **Date of Patent:** **** Sep. 9, 2003**

(54) **VALVE MANIFOLD FOR ACTUATOR SYSTEM**

(75) **Inventor:** **John J. Wright**, Rye, NY (US)

(73) **Assignee:** **Marine and Industrial Hydraulics, Inc.**, Mamaroneck, NY (US)

(**) **Term:** **14 Years**

(21) **Appl. No.:** **29/170,516**

(22) **Filed:** **Nov. 7, 2002**

(51) **LOC (7) Cl.** **23-01**

(52) **U.S. Cl.** **D23/233**

(58) **Field of Search** D23/233-237,
D23/244-249; D15/199; 137/554, 557,
560, 624, 882, 884; 4/304; 251/219, 129.04,
331, 15

(56) **References Cited**

U.S. PATENT DOCUMENTS

D223,095 S	*	3/1972	Allen	D23/233
D263,871 S	*	4/1982	Matsuura	D24/129
D337,633 S	*	7/1993	Drager et al.	D23/245
D346,011 S	*	4/1994	Hawkins	D23/245

D366,928 S	*	2/1996	Itafuji	D23/233
D367,516 S	*	2/1996	Itafuji	D23/233
D368,130 S	*	3/1996	Itafuji	D23/233
D368,298 S	*	3/1996	Miller et al.	D23/233
D379,844 S	*	6/1997	Itafuji	D23/233
D427,284 S	*	6/2000	Sato et al.	D23/233

* cited by examiner

Primary Examiner—Nelson C. Holtje

(74) *Attorney, Agent, or Firm*—Collard & Roe, P.C.

(57) **CLAIM**

The ornamental design for a valve manifold for actuator system, as shown and described.

DESCRIPTION

FIG. 1 shows a perspective view of my design for a valve manifold for actuator system according to the invention; FIG. 2 shows a right side view thereof; FIG. 3 shows a left side view thereof; FIG. 4 shows a back side view thereof; FIG. 5 shows a front side view thereof; FIG. 6 shows a top view thereof; and, FIG. 7 shows a bottom view thereof.

1 Claim, 6 Drawing Sheets

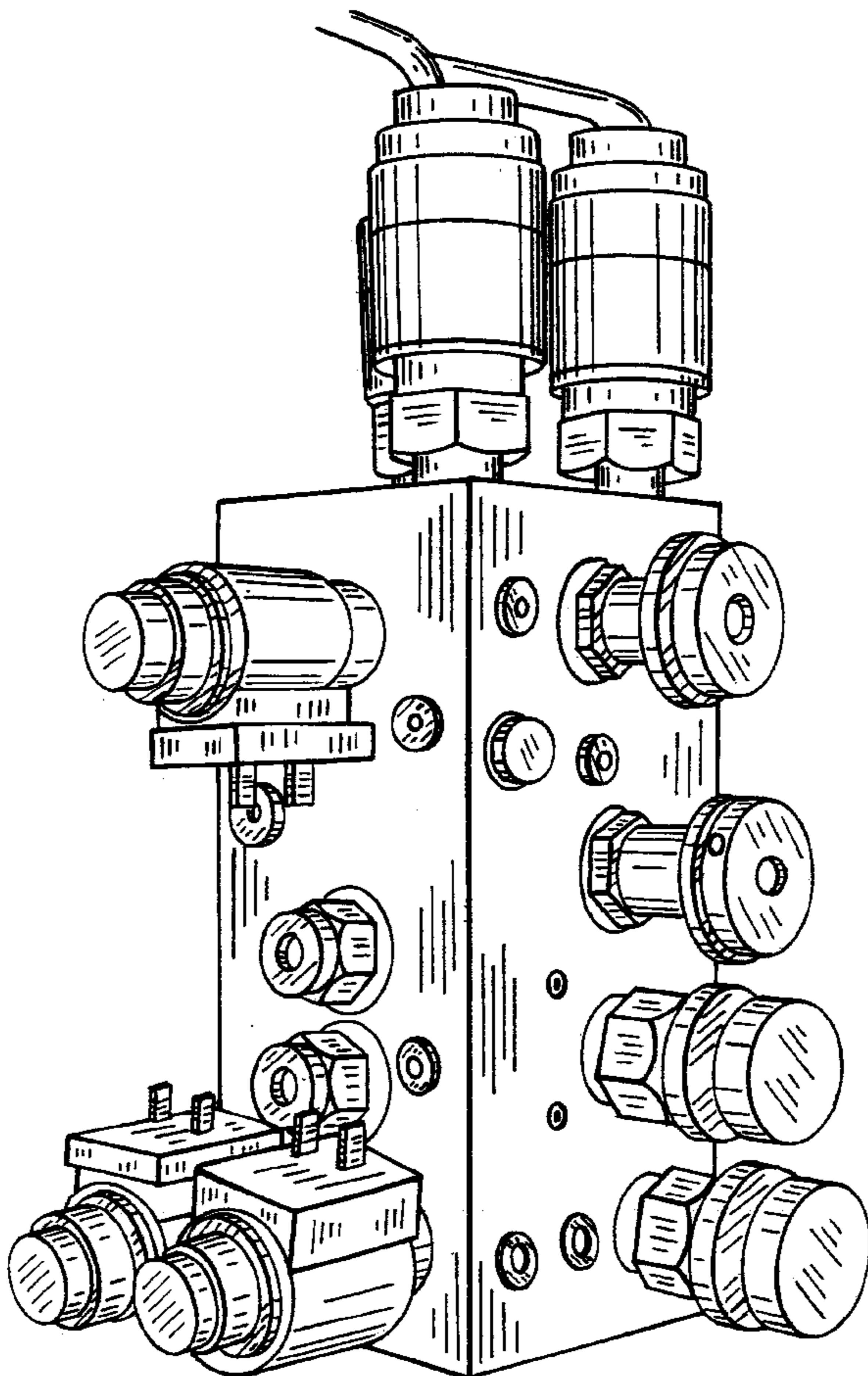


FIG. 1

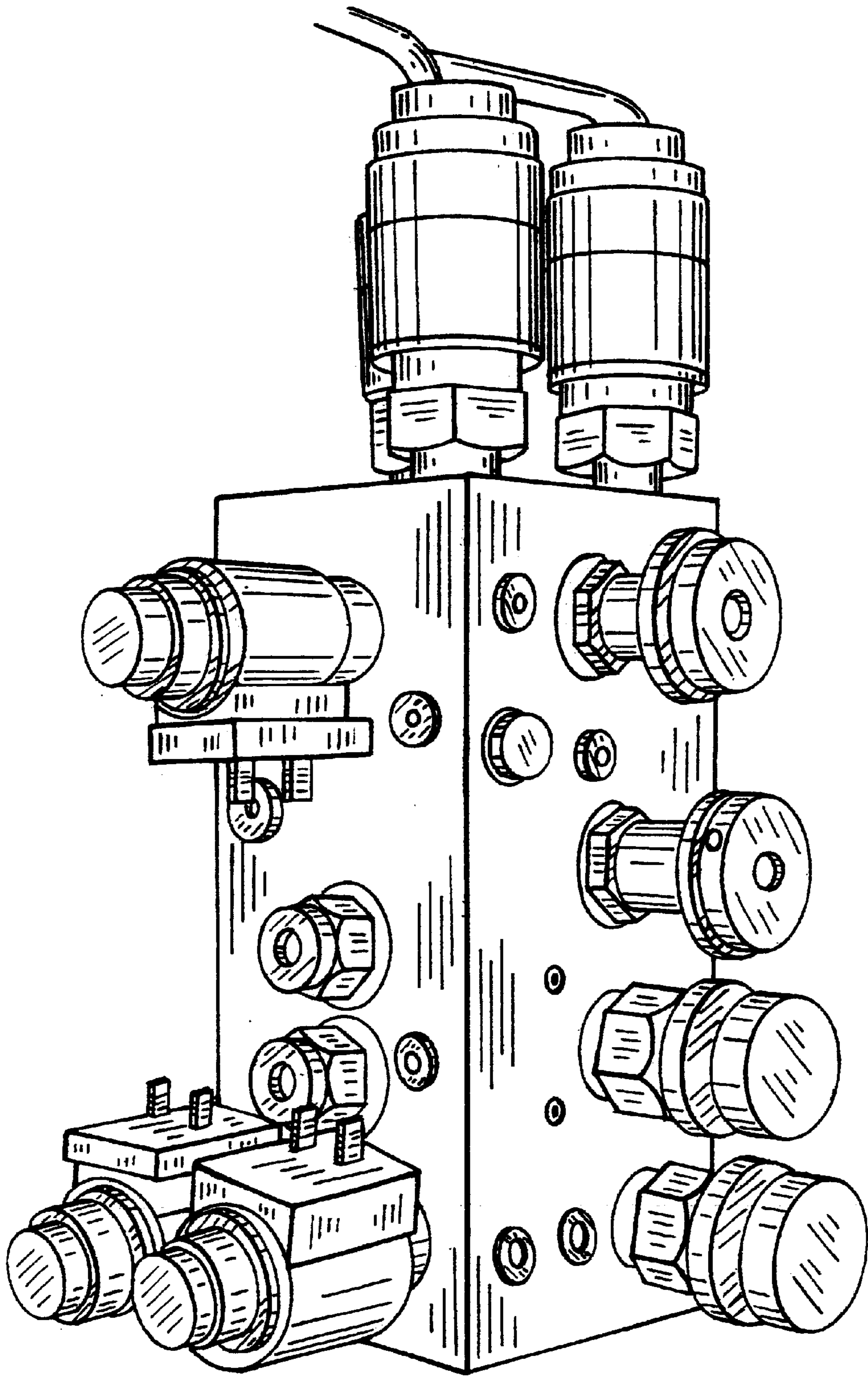


FIG. 2

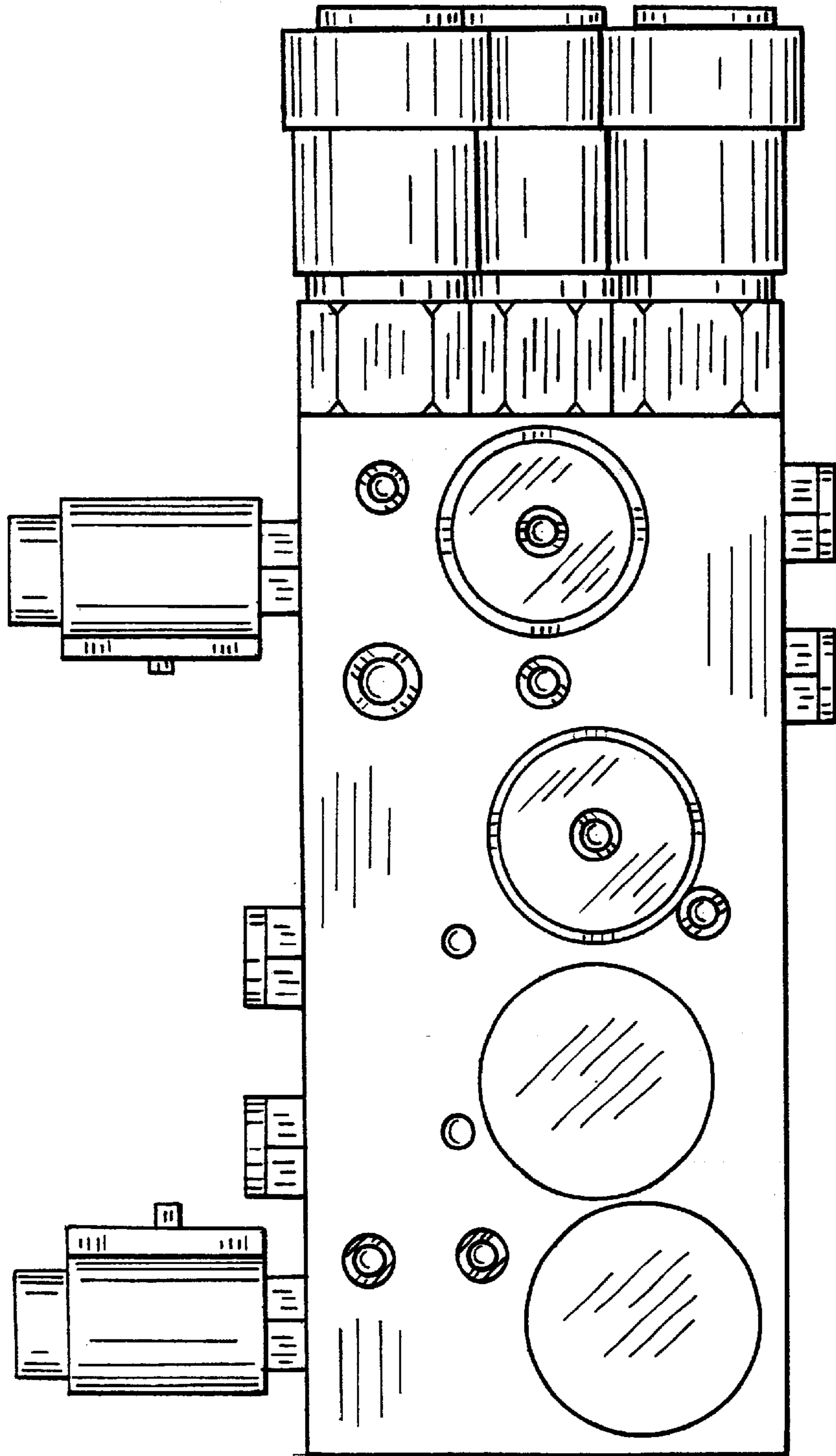


FIG. 3

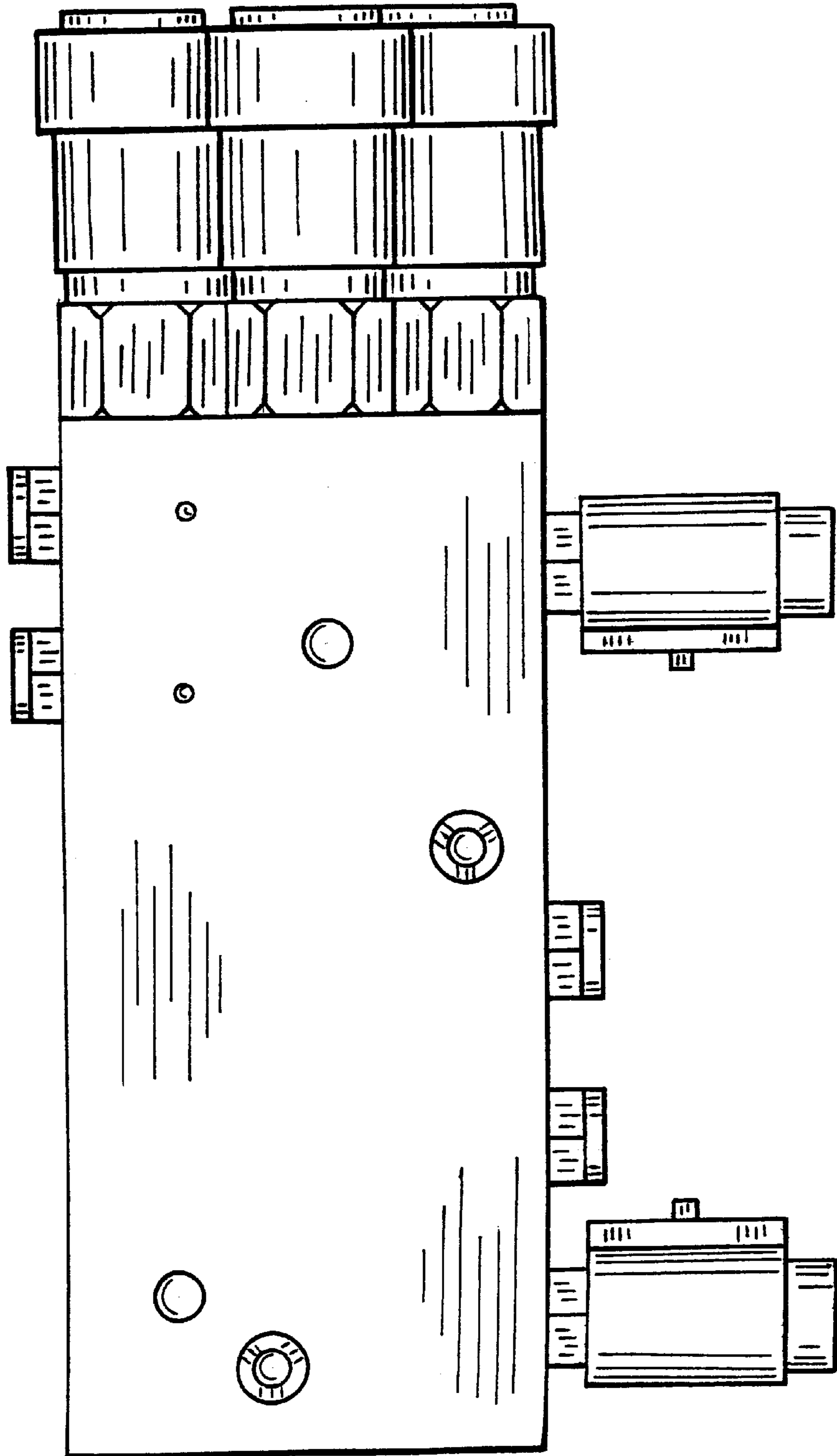


FIG. 4

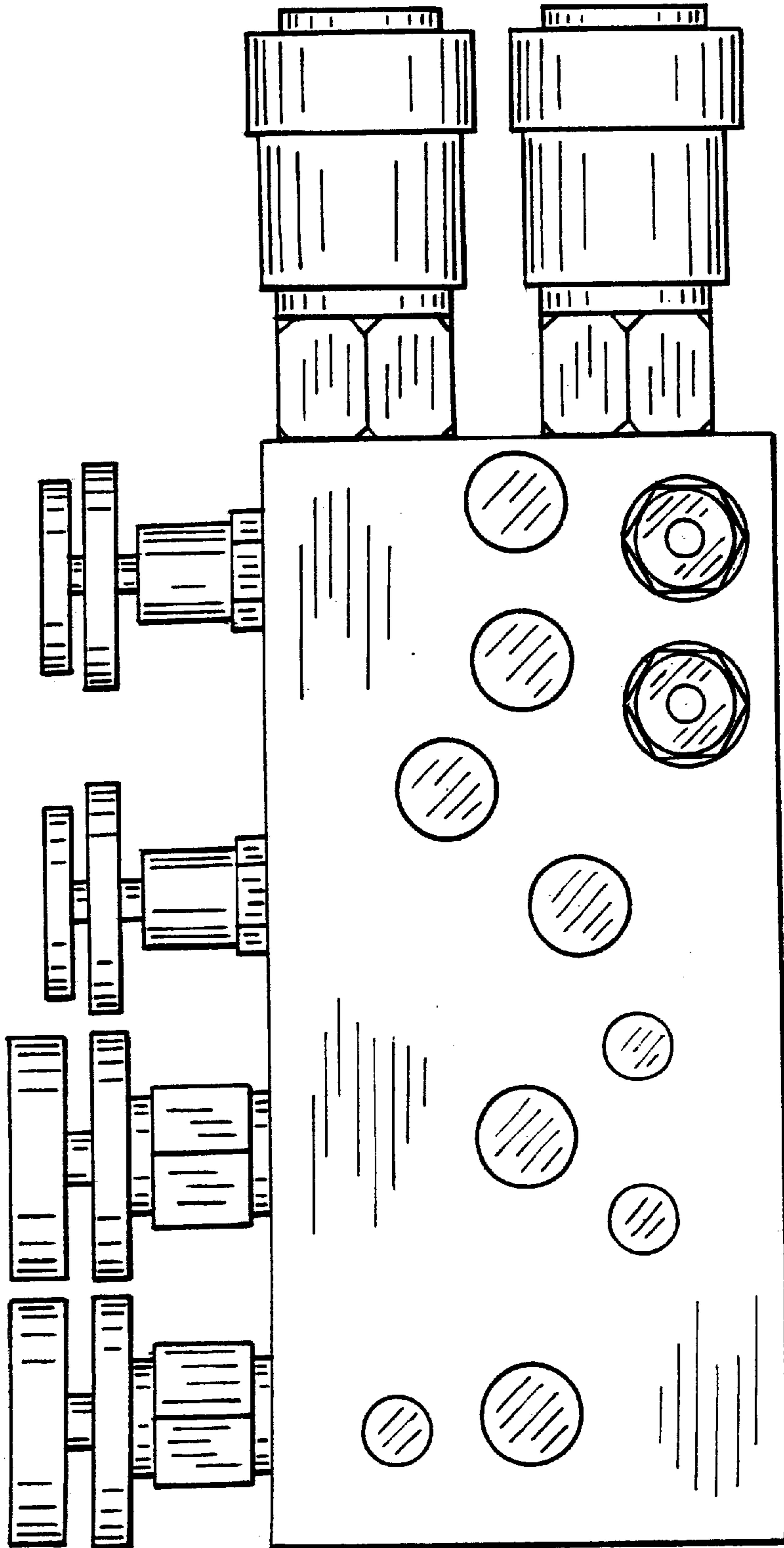


FIG. 5

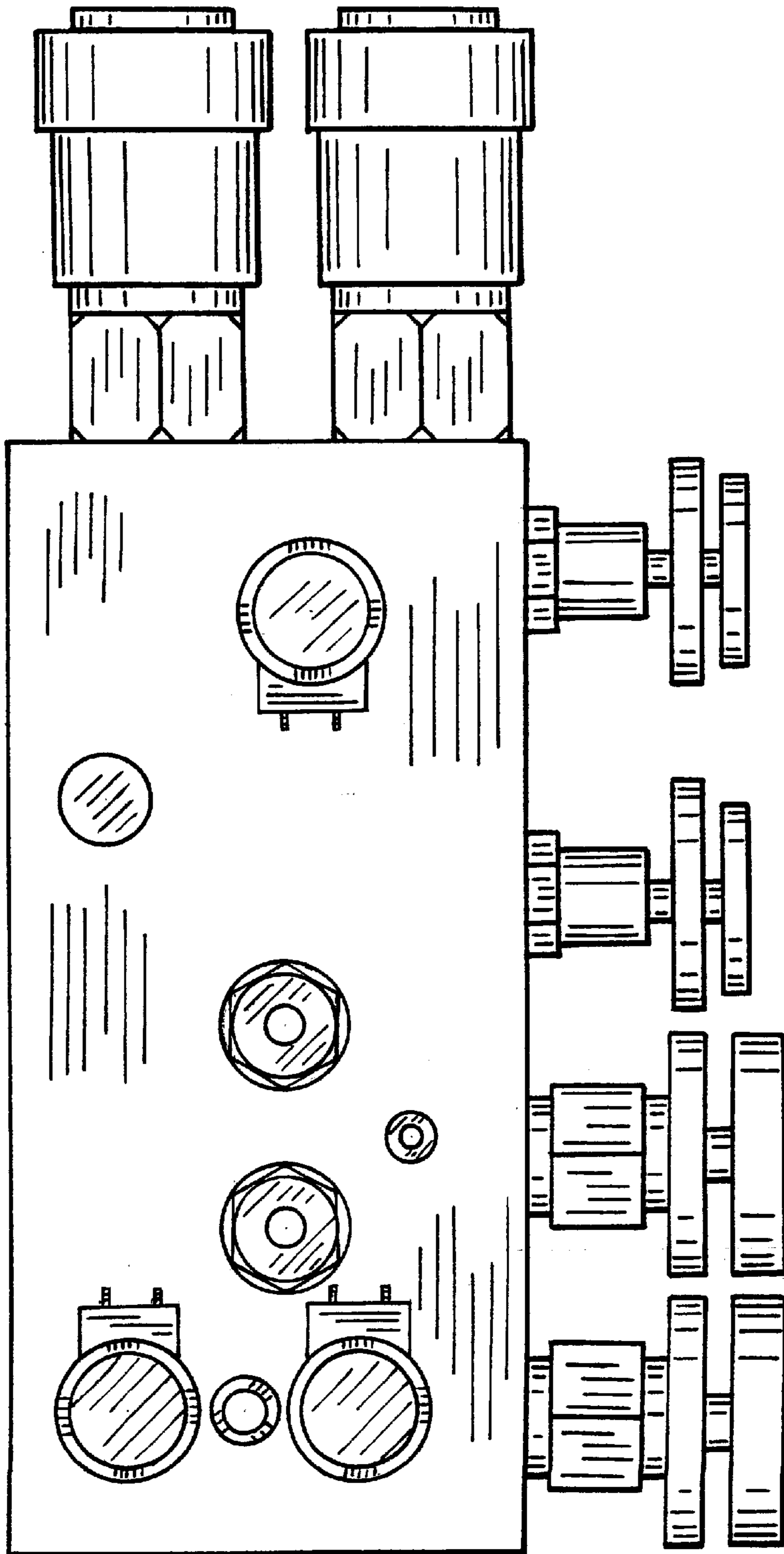


FIG. 6

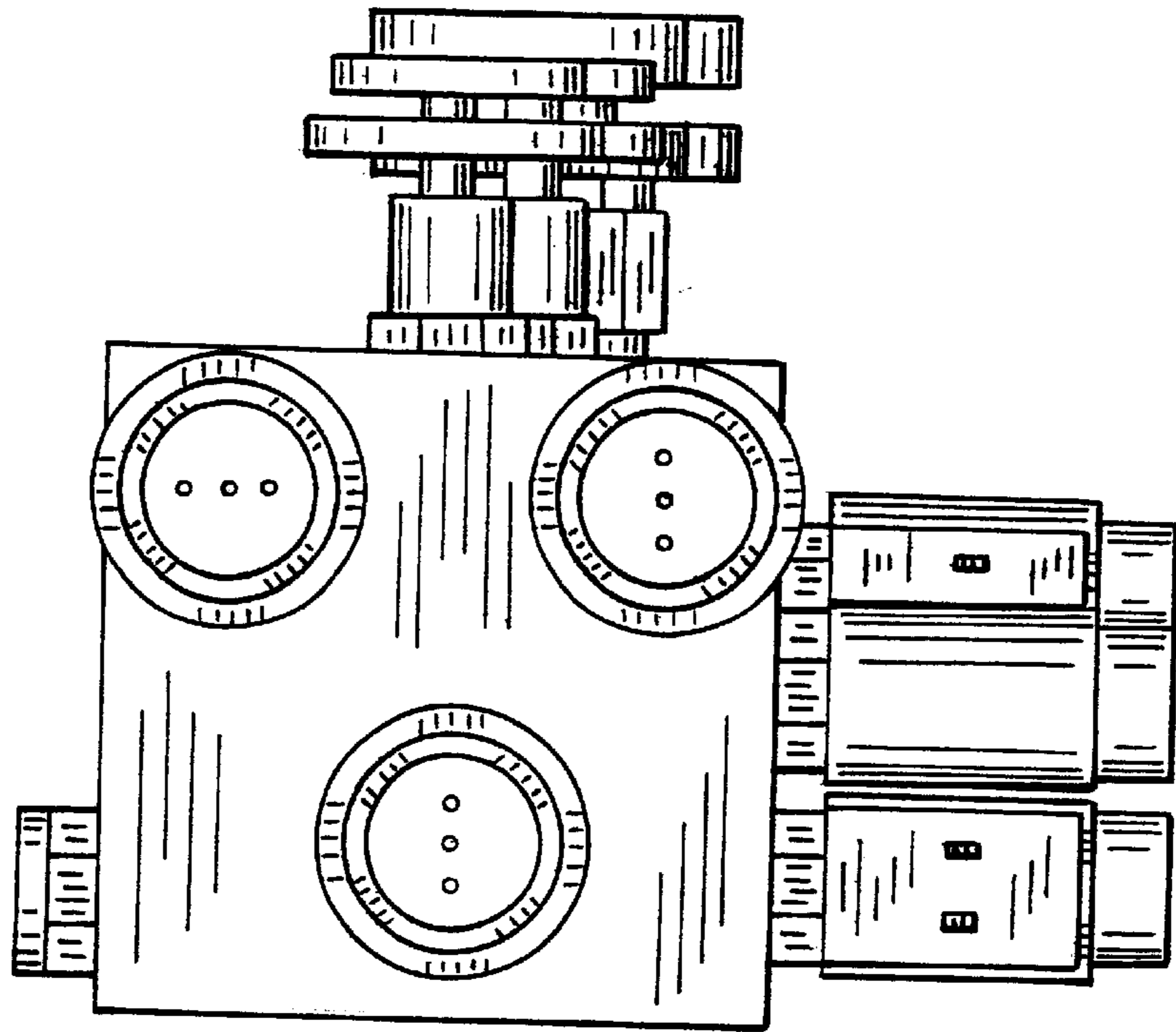


FIG. 7

