



US00D479575S

(12) **United States Design Patent**  
**Chen**

(10) **Patent No.:** **US D479,575 S**

(45) **Date of Patent:** **\*\* Sep. 9, 2003**

(54) **GARDENING PISTOL NOZZLE**

(75) **Inventor:** **Chin-Yuan Chen**, Chang-Hua Hsien  
(TW)

(73) **Assignee:** **Shin Tai Spurt Water of the Garden  
Tools Co., Ltd.**, Chang-Hua Hsien  
(TW)

(\*\*) **Term:** **14 Years**

(21) **Appl. No.:** **29/172,716**

(22) **Filed:** **Dec. 17, 2002**

(51) **LOC (7) Cl.** ..... **23-01**

(52) **U.S. Cl.** ..... **D23/226**

(58) **Field of Search** ..... D23/213, 223,  
D23/226; 239/525-527

(56) **References Cited**

**U.S. PATENT DOCUMENTS**

D408,496 S \* 4/1999 Wang ..... D23/226  
D442,054 S \* 5/2001 Okada et al. .... D8/99

D458,984 S \* 6/2002 Chen ..... D23/226  
D461,228 S \* 8/2002 Huang ..... D23/226  
D471,957 S \* 3/2003 Nien ..... D23/226

\* cited by examiner

*Primary Examiner*—Robin V. Taylor

(74) *Attorney, Agent, or Firm*—Harrison & Egbert

(57) **CLAIM**

I claim the ornamental design for a gardening pistol nozzle,  
as shown and described.

**DESCRIPTION**

FIG. 1 is an upper perspective view of the gardening pistol  
nozzle showing my design.

FIG. 2 is a front view thereof;

FIG. 3 is a back view thereof;

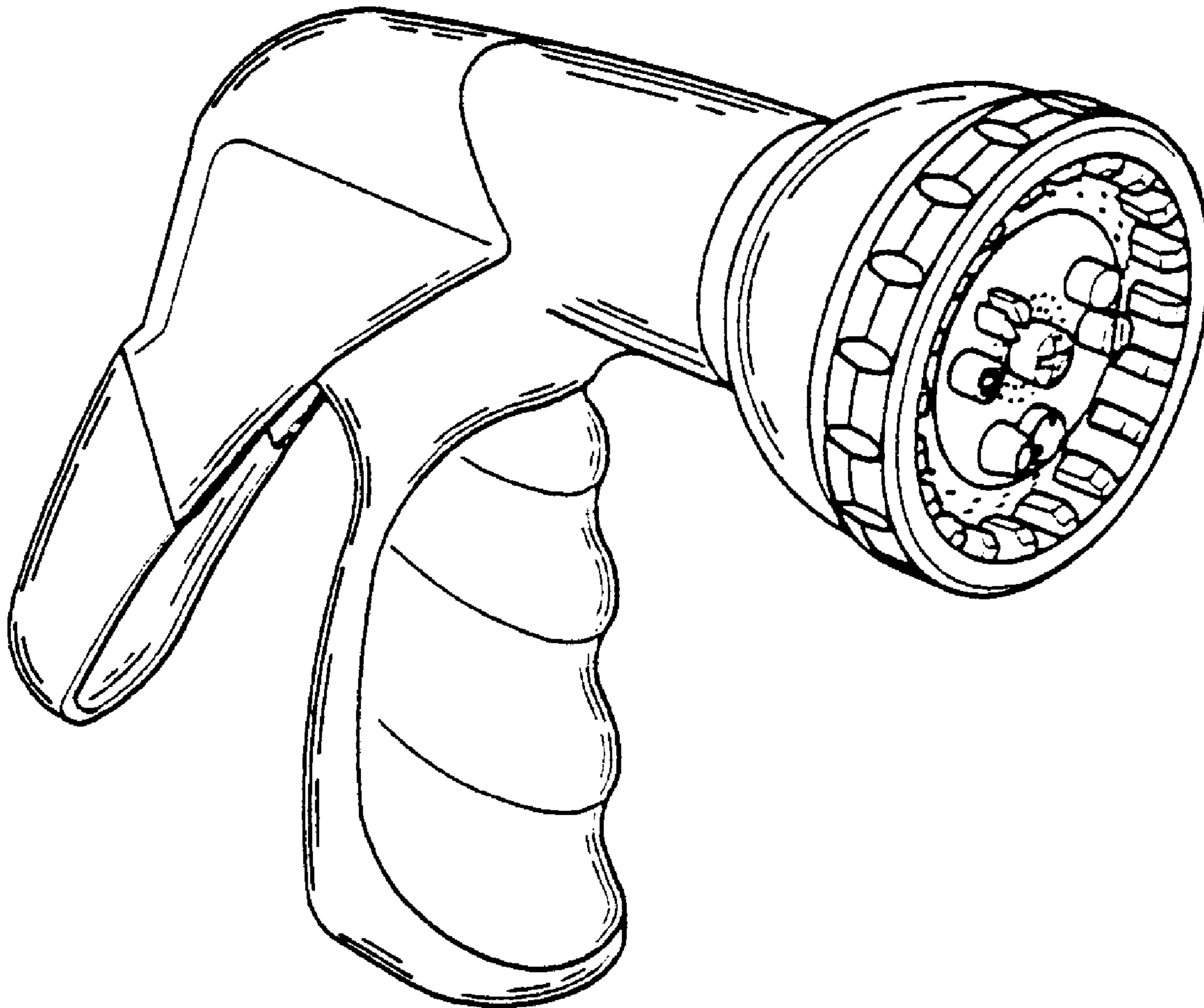
FIG. 4 is a side view thereof;

FIG. 5 is an opposite side view thereof;

FIG. 6 is a top view thereof; and,

FIG. 7 is a bottom view thereof.

**1 Claim, 4 Drawing Sheets**



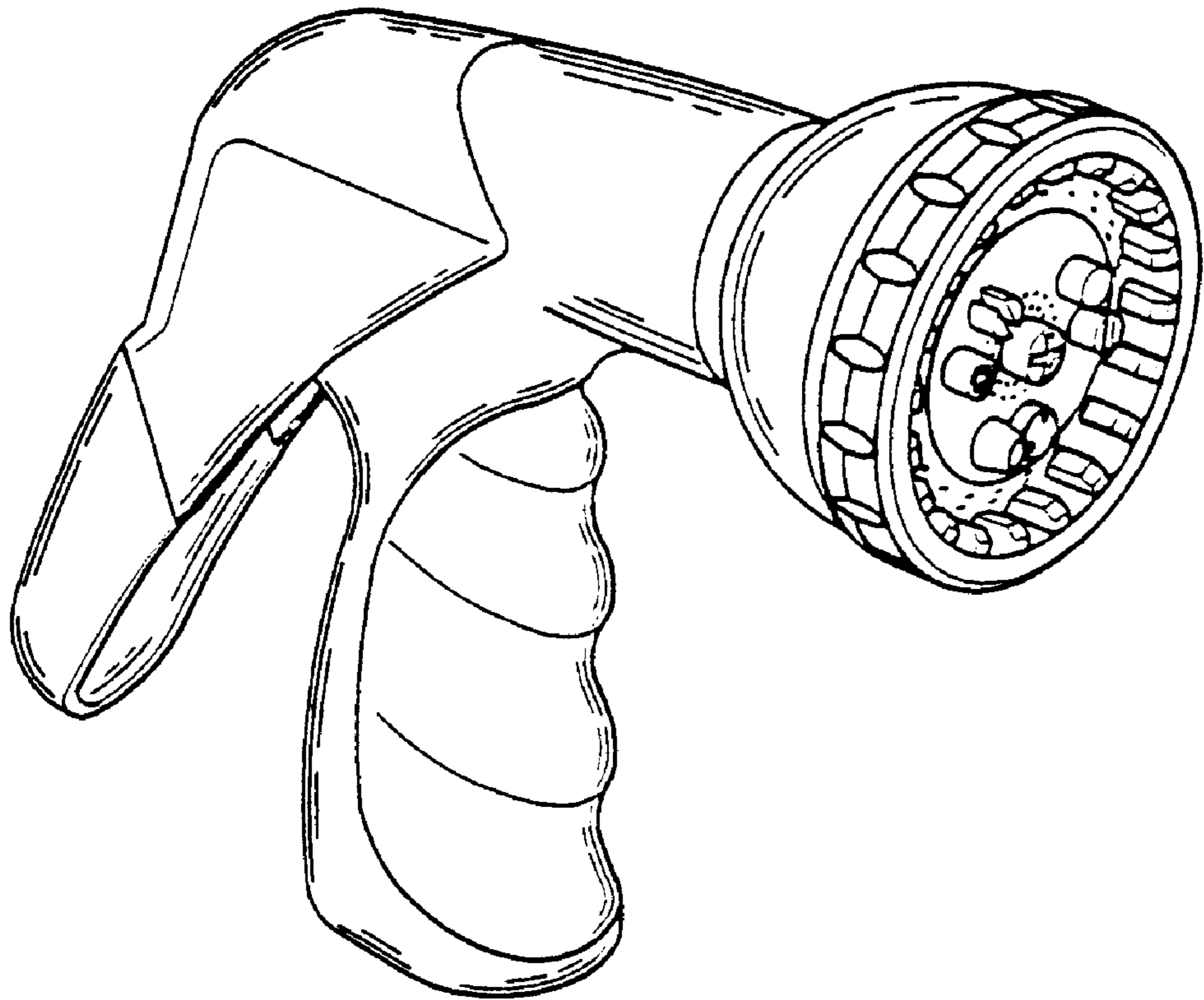


FIG. 1

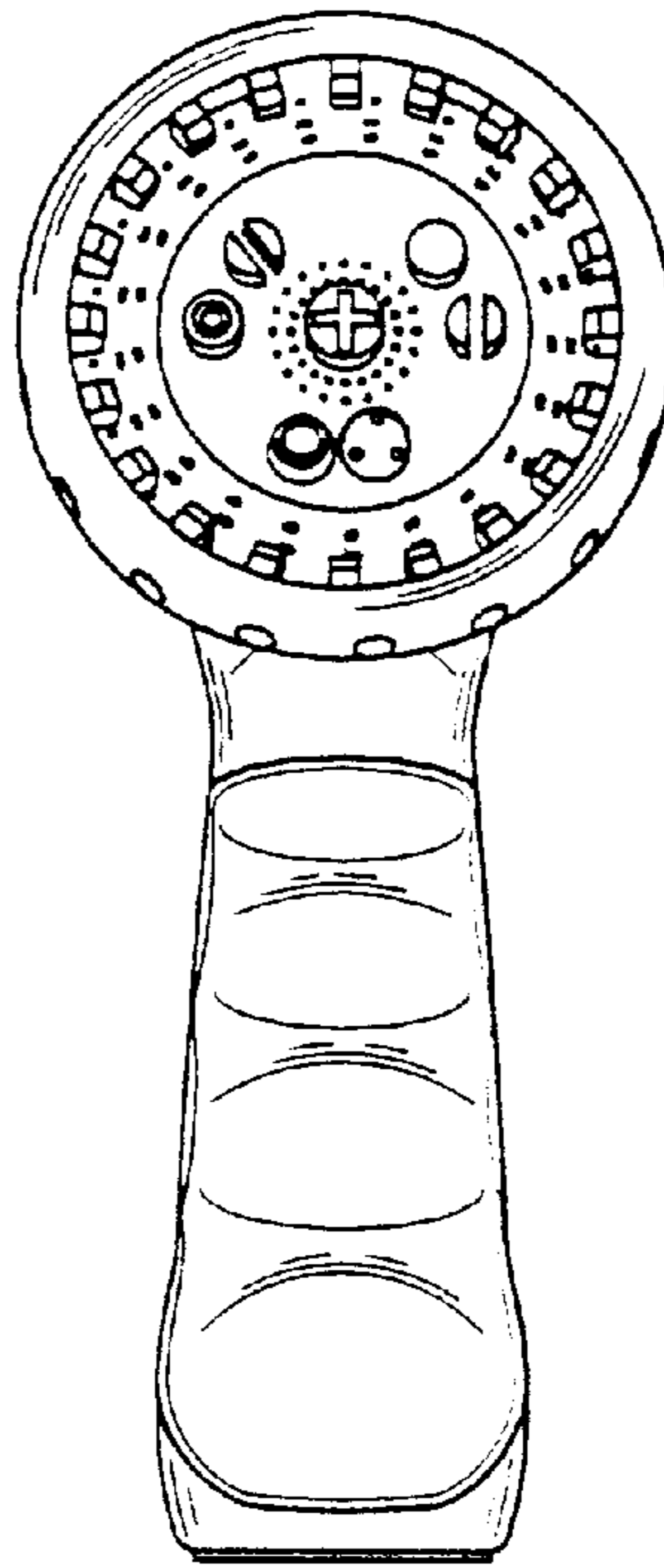


FIG. 2

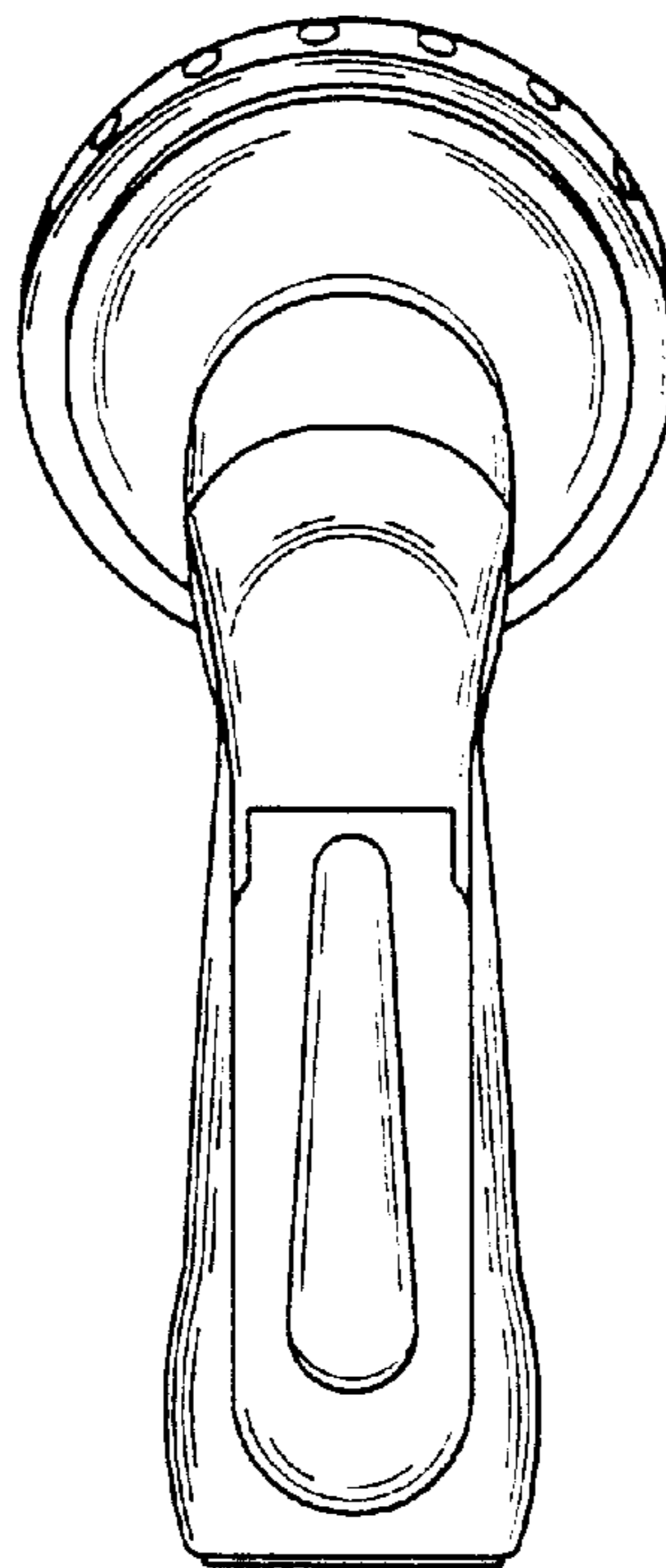


FIG. 3

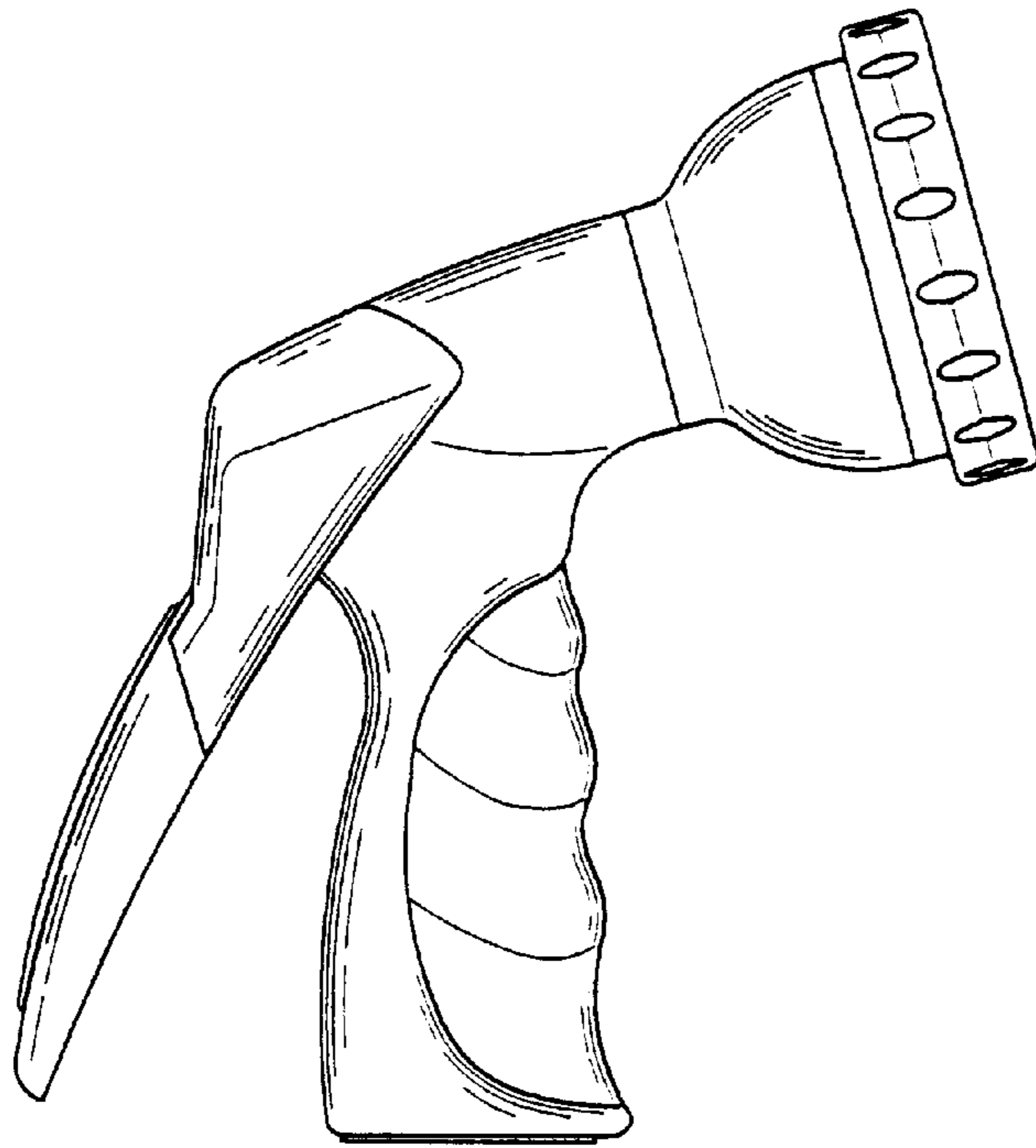


FIG. 4

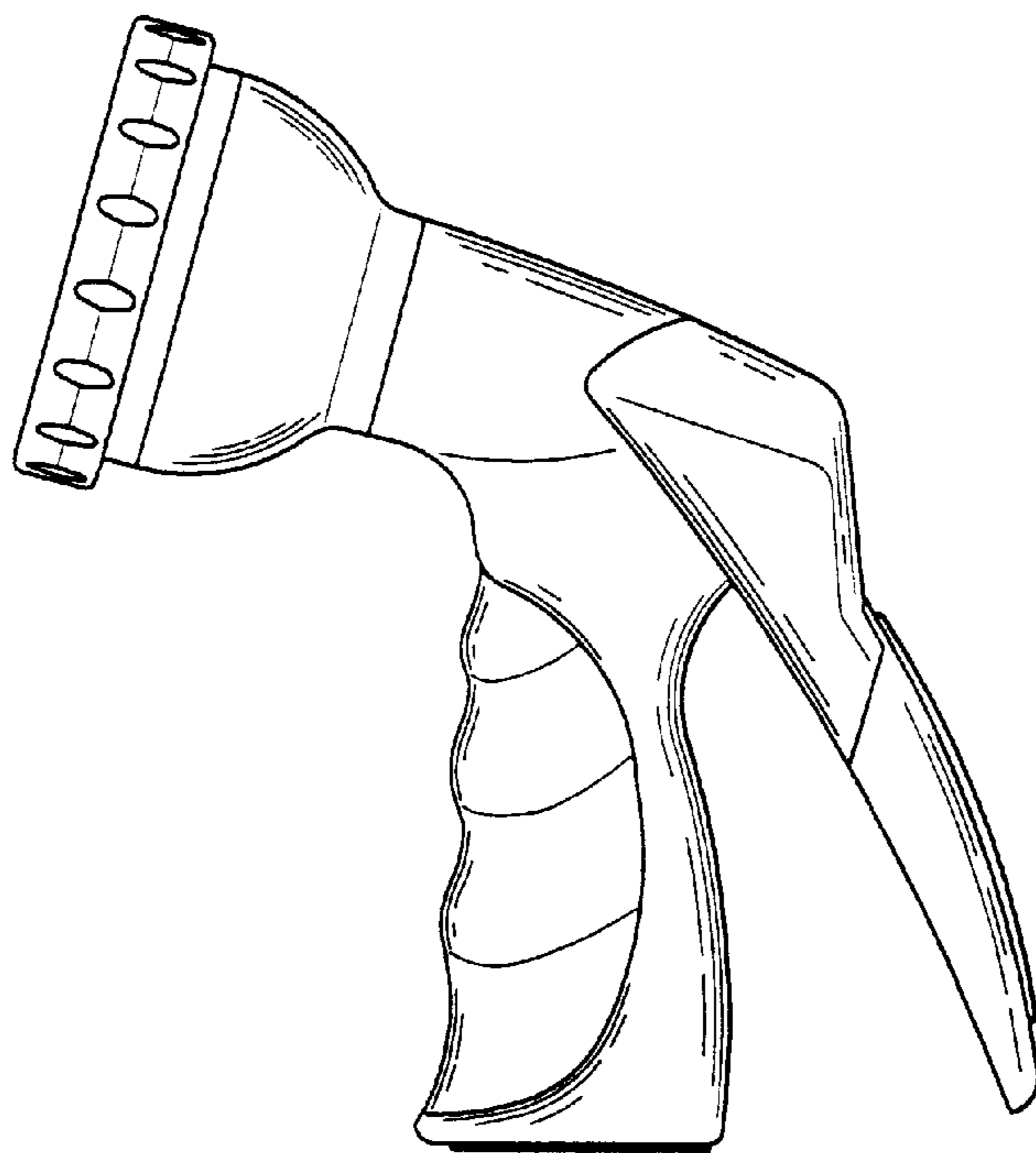


FIG. 5

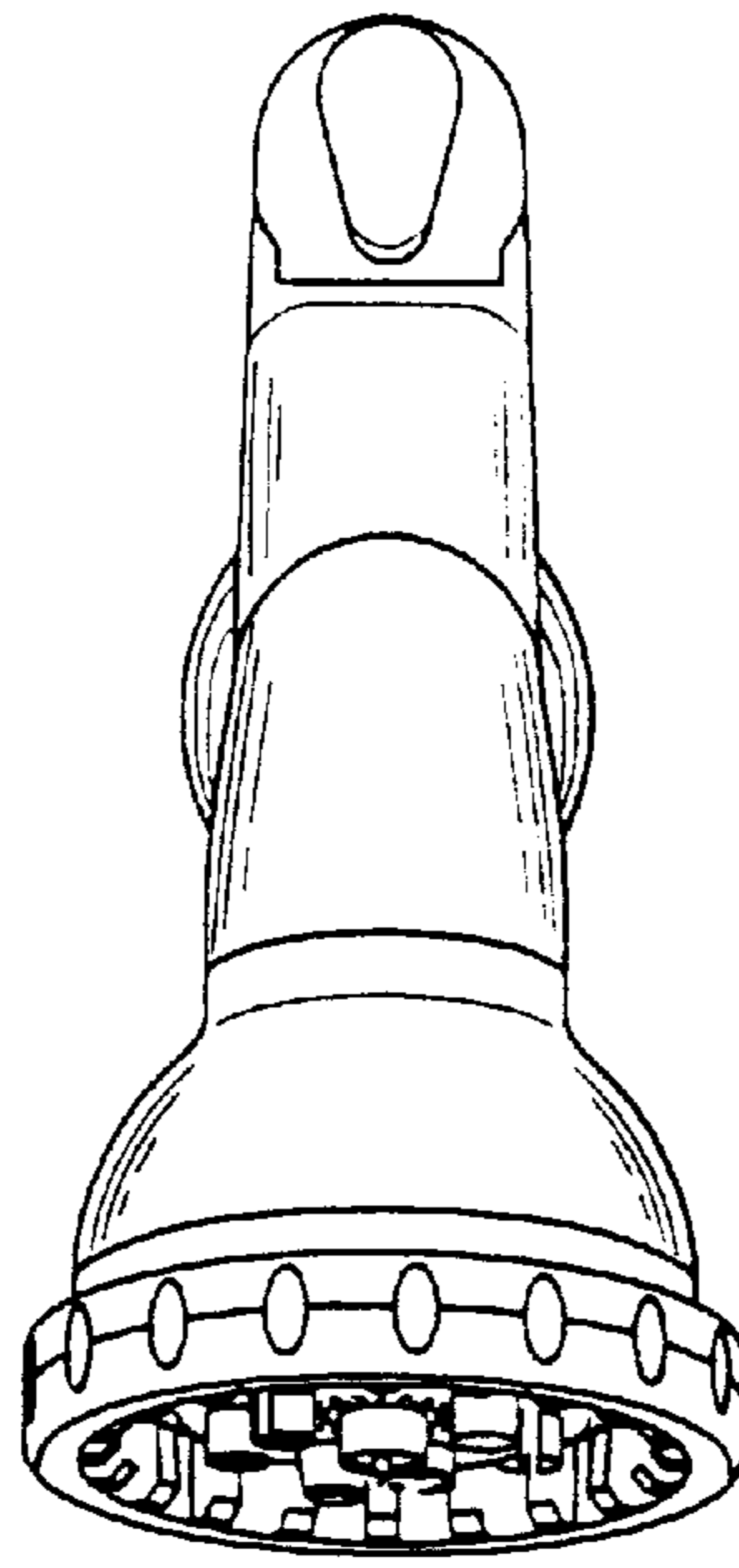


FIG. 6

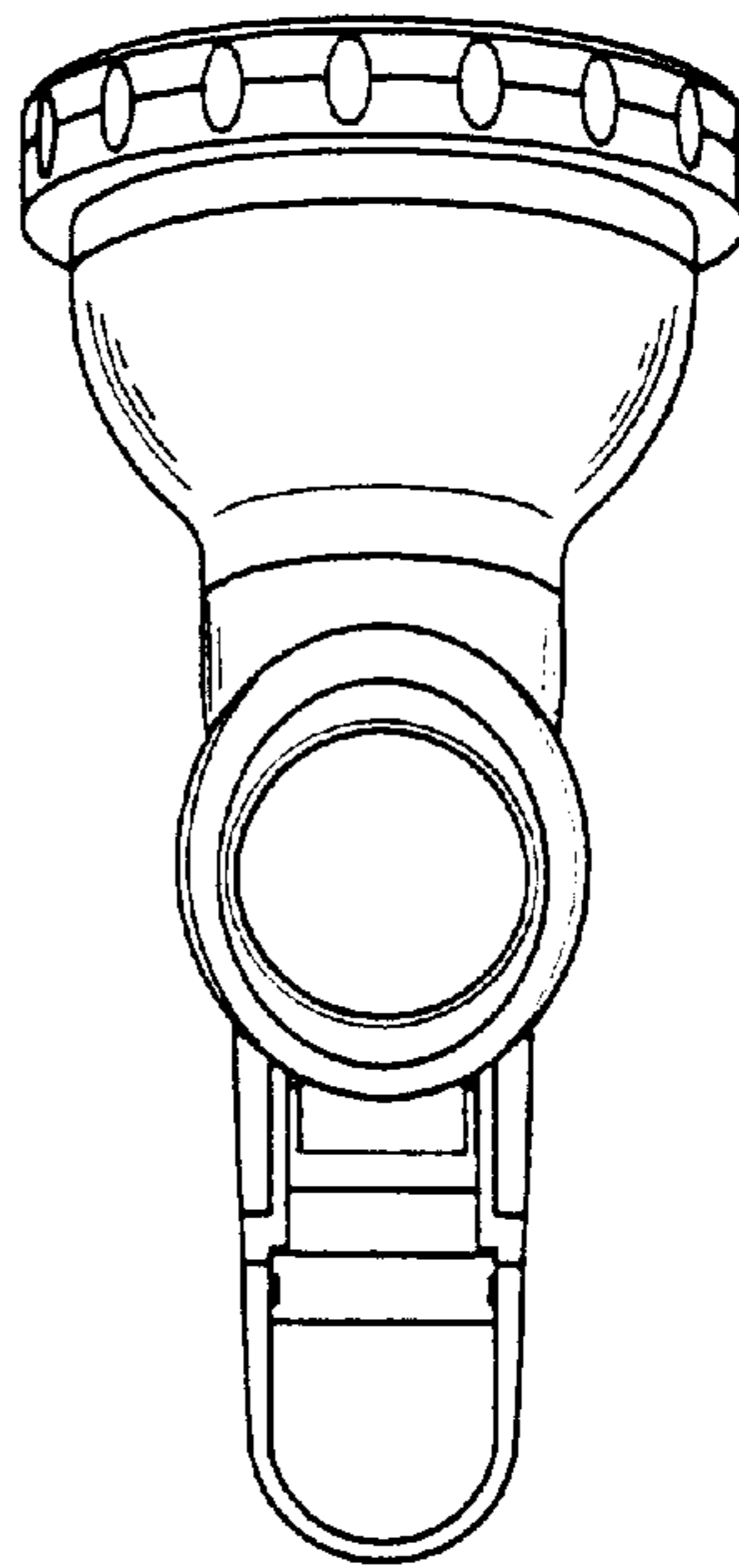


FIG. 7