



US00D479574S

(12) **United States Design Patent**
Nien

(10) **Patent No.:** **US D479,574 S**

(45) **Date of Patent:** **** Sep. 9, 2003**

(54) **WATER SPRINKLING DEVICE**

D458,983 S * 6/2002 Chen D23/216
D469,849 S * 2/2003 Nien D23/216

(76) Inventor: **Mei-Yu Nien**, No. 2, Yung Feng Lane,
Hsin Pao Village, Fang Yuan Hsiang,
Chang Hua Hsien (TW)

* cited by examiner

(**) Term: **14 Years**

Primary Examiner—Robin V. Taylor
(74) *Attorney, Agent, or Firm*—Harrison & Egbert

(21) Appl. No.: **29/171,838**

(57) **CLAIM**

(22) Filed: **Dec. 2, 2002**

I claim the ornamental design for a water sprinkling device,
as shown and described.

(51) **LOC (7) Cl.** **23-01**

DESCRIPTION

(52) **U.S. Cl.** **D23/216**

(58) **Field of Search** D23/213, 214-216;
239/240-242

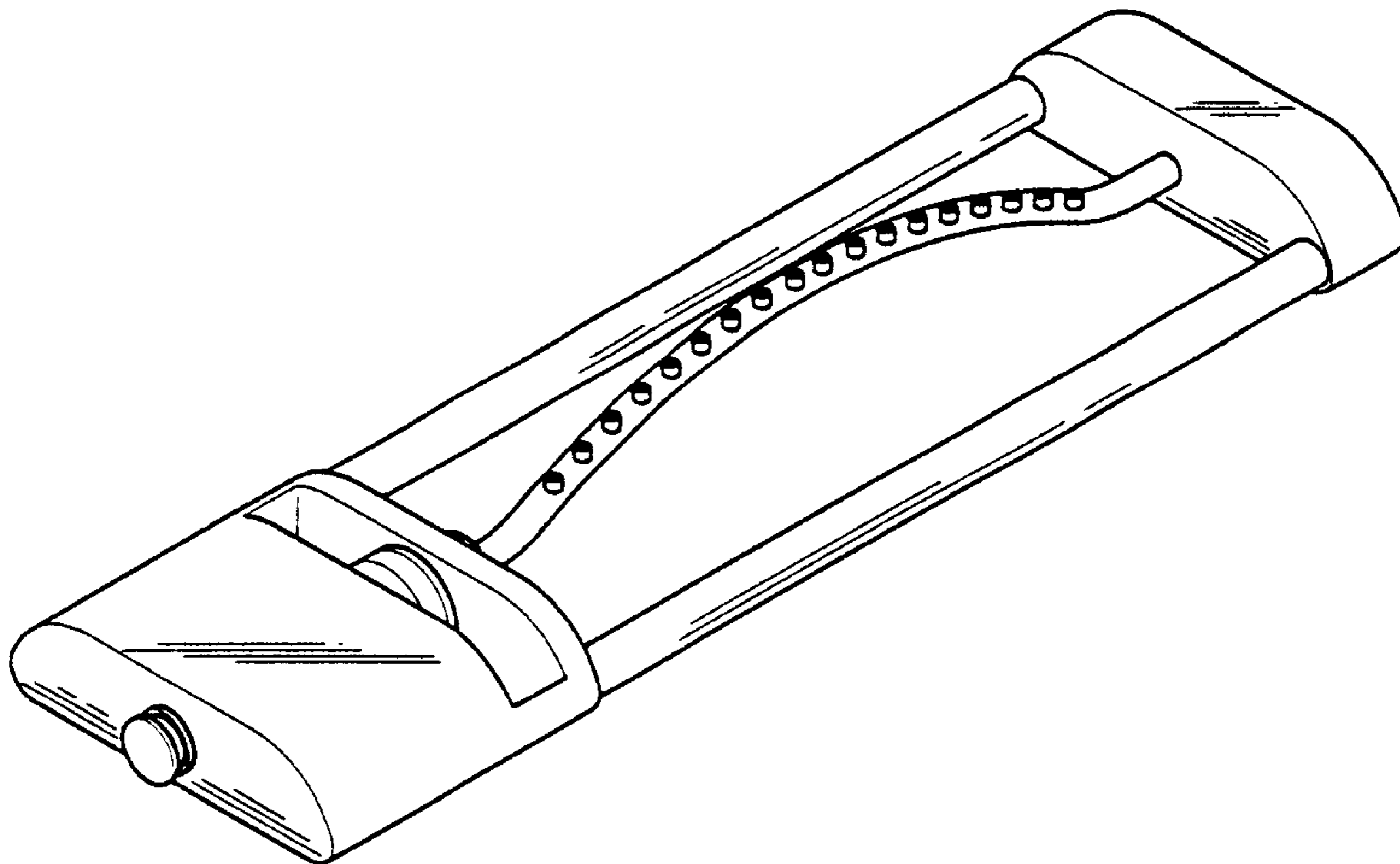
FIG. 1 is an upper perspective view of the water sprinkling
device showing my design.
FIG. 2 is a front view thereof;
FIG. 3 is a back view thereof;
FIG. 4 is a side view thereof;
FIG. 5 is an opposite side view thereof;
FIG. 6 is a top view thereof; and,
FIG. 7 is a bottom view thereof.

(56) **References Cited**

U.S. PATENT DOCUMENTS

D303,283 S * 9/1989 Best et al. D23/216
4,877,185 A * 10/1989 Kufirin 239/242
D383,193 S * 9/1997 Heren et al. D23/216
6,135,356 A * 10/2000 Mitzlaff et al. 239/1

1 Claim, 4 Drawing Sheets



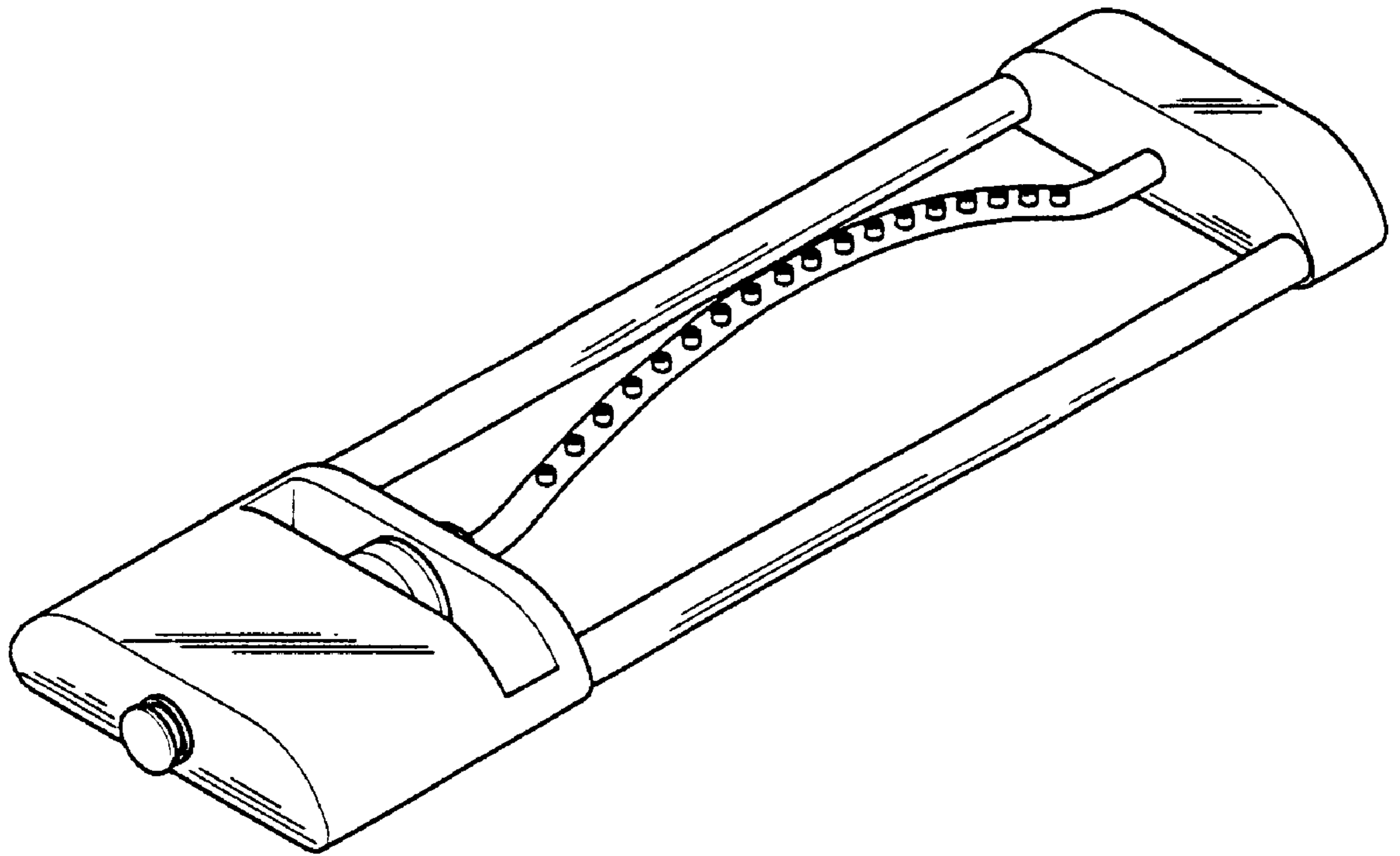


FIG.1

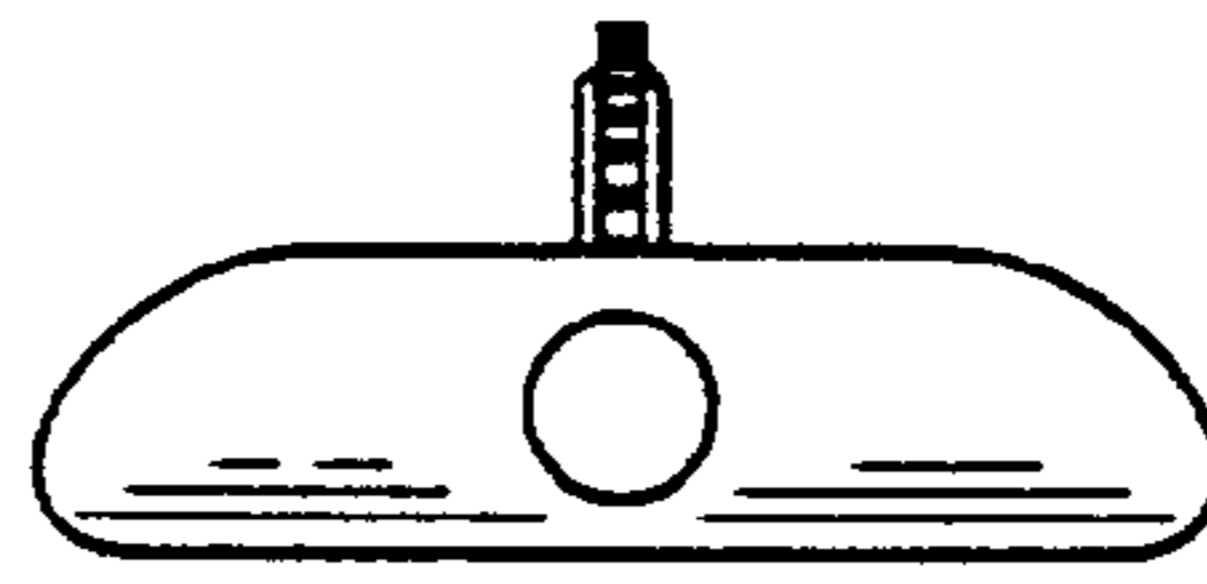


FIG. 2

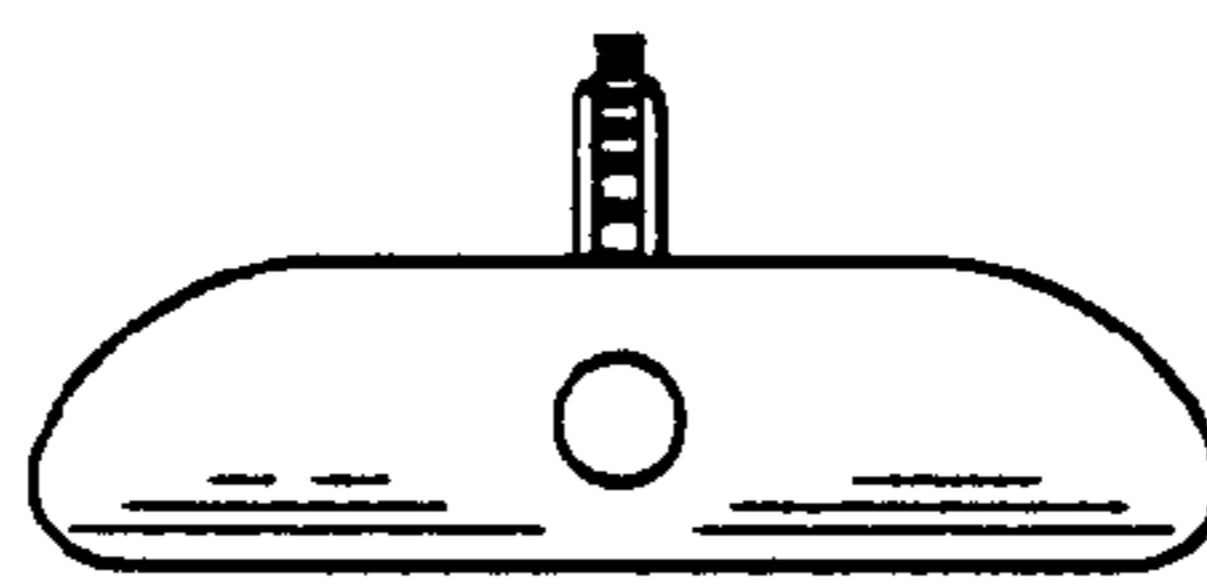


FIG. 3

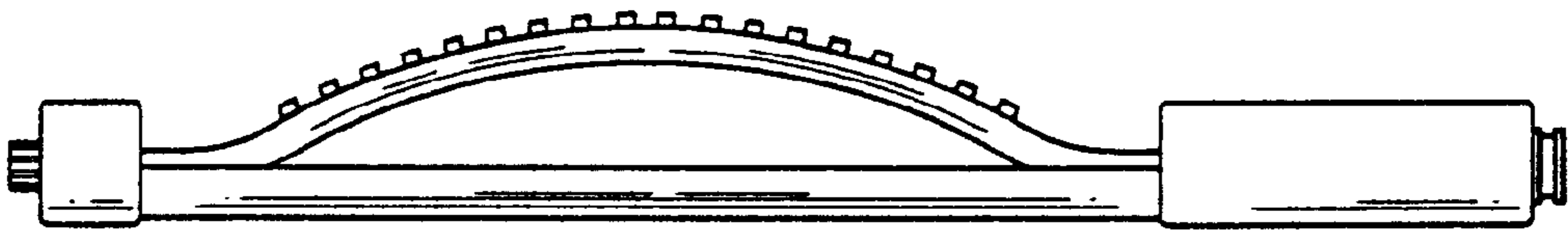


FIG. 4

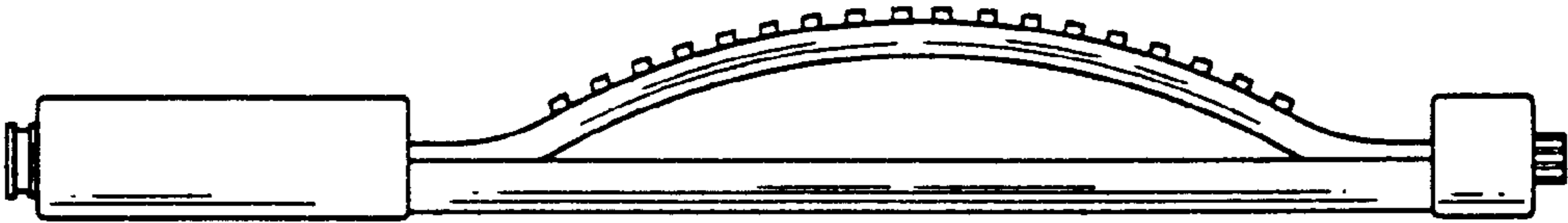


FIG. 5

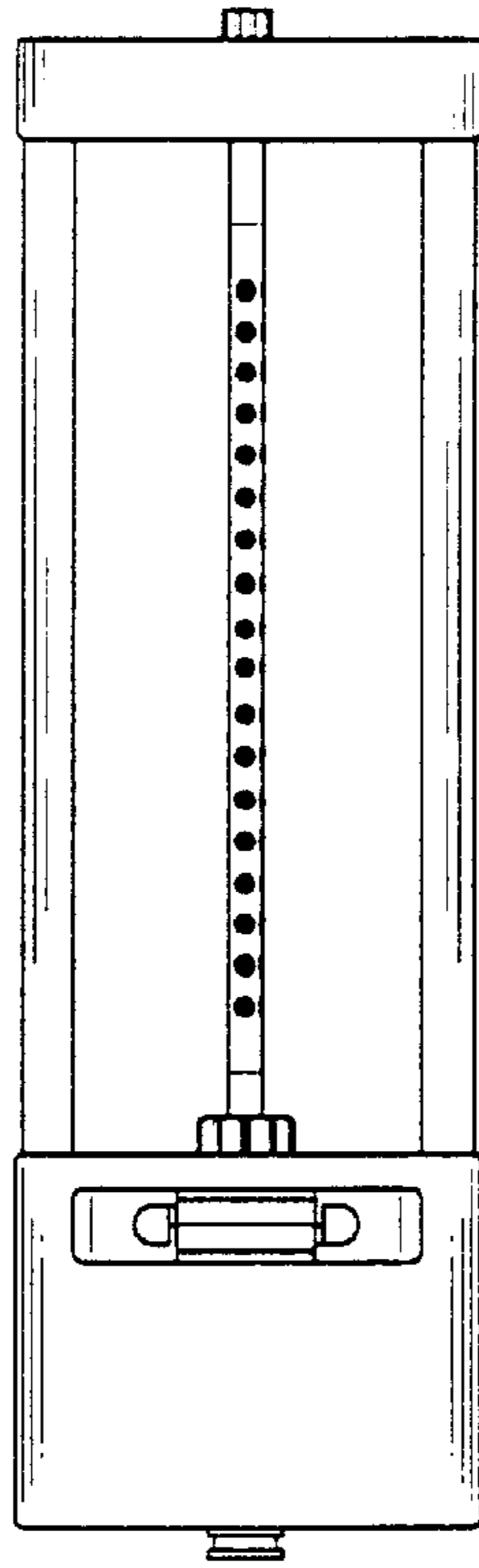


FIG. 6

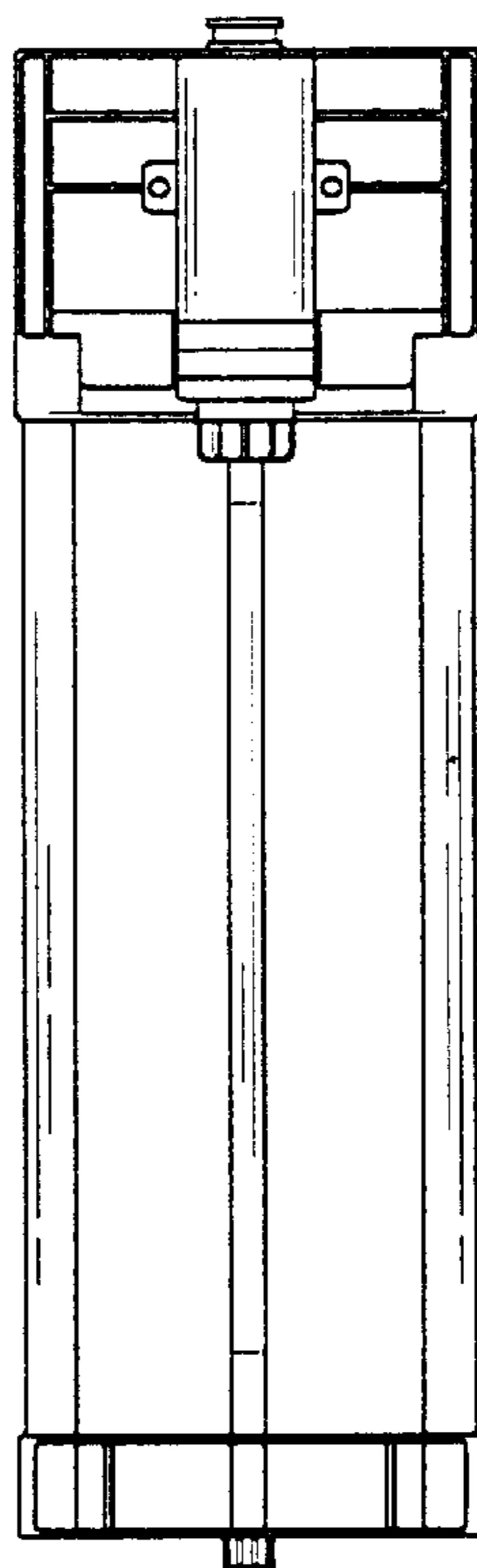


FIG. 7