



US00D479573S

(12) **United States Design Patent**
Chen

(10) **Patent No.:** **US D479,573 S**

(45) **Date of Patent:** **** Sep. 9, 2003**

(54) **WATER SPRAYER FOR USE IN MOTOR
CLEANING**

D471,954 S * 3/2003 Chen D23/213
D472,300 S * 3/2003 Chen D23/213
D473,284 S * 4/2003 Pong D23/213

(75) Inventor: **Chin-Yuan Chen**, Chang-Hua Hsien
(TW)

* cited by examiner

(73) Assignee: **Shin Tai Spurt Water of the Garden
Tools Co.,Ltd.**, Chang-Hua Hsien (TW)

Primary Examiner—Robin V. Taylor

(74) *Attorney, Agent, or Firm*—Harrison & Egbert

(**) Term: **14 Years**

(57) **CLAIM**

I claim the ornamental design for a water sprayer for use in motor cleaning, as shown and described.

(21) Appl. No.: **29/171,960**

DESCRIPTION

(22) Filed: **Dec. 4, 2002**

(51) **LOC (7) Cl.** **23-01**

(52) **U.S. Cl.** **D23/213**

(58) **Field of Search** D23/213, 223;
239/459, 602

FIG. 1 is an upper perspective view of the water sprayer for use in motor cleaning showing my design.

FIG. 2 is a front view thereof;

FIG. 3 is a back view thereof;

FIG. 4 is a side view thereof;

FIG. 5 is an opposite side view thereof;

FIG. 6 is a top view thereof; and,

FIG. 7 is a bottom view thereof.

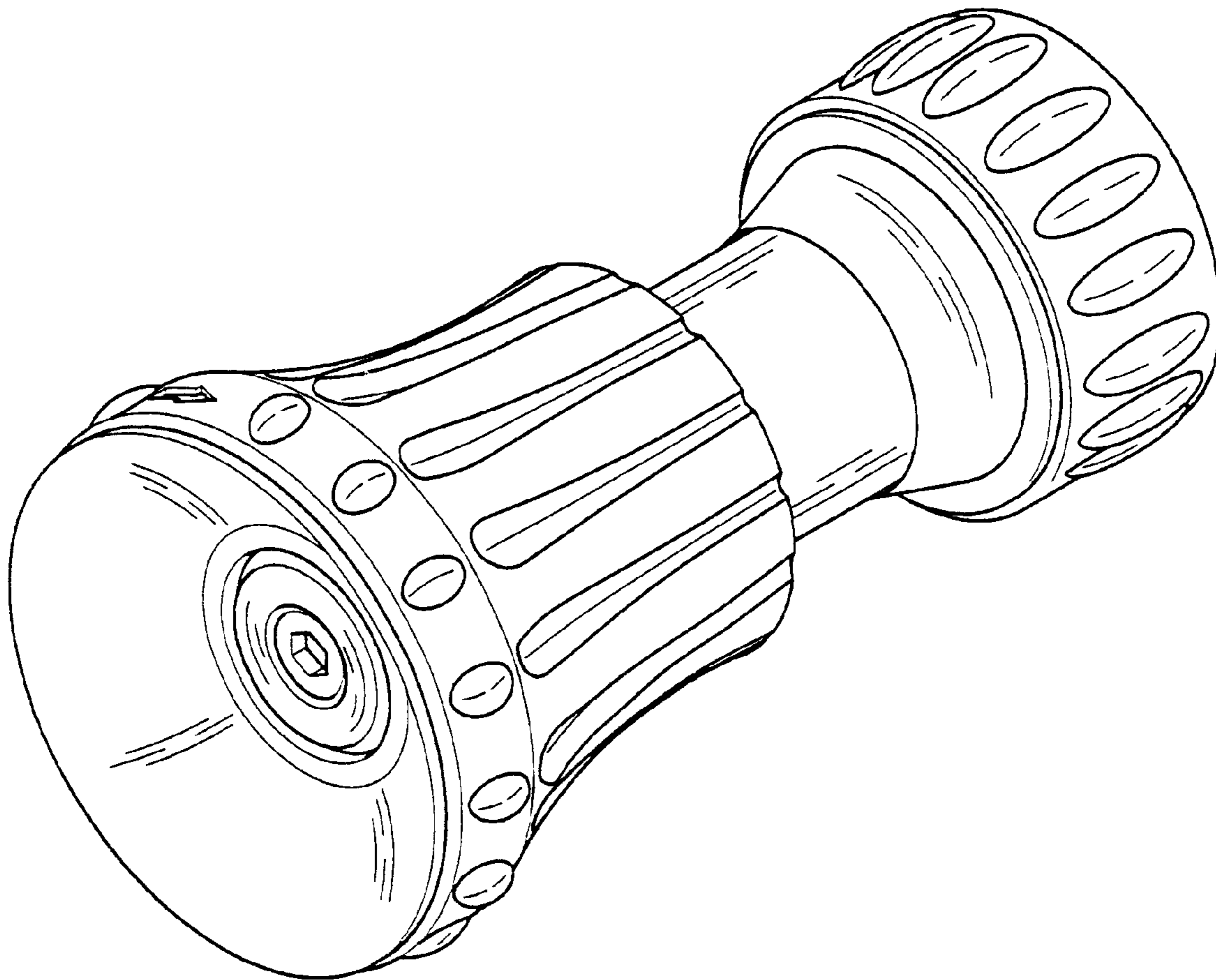
(56) **References Cited**

U.S. PATENT DOCUMENTS

D456,488 S * 4/2002 Bonzer D23/213

D469,503 S * 1/2003 Liang D23/213

1 Claim, 4 Drawing Sheets



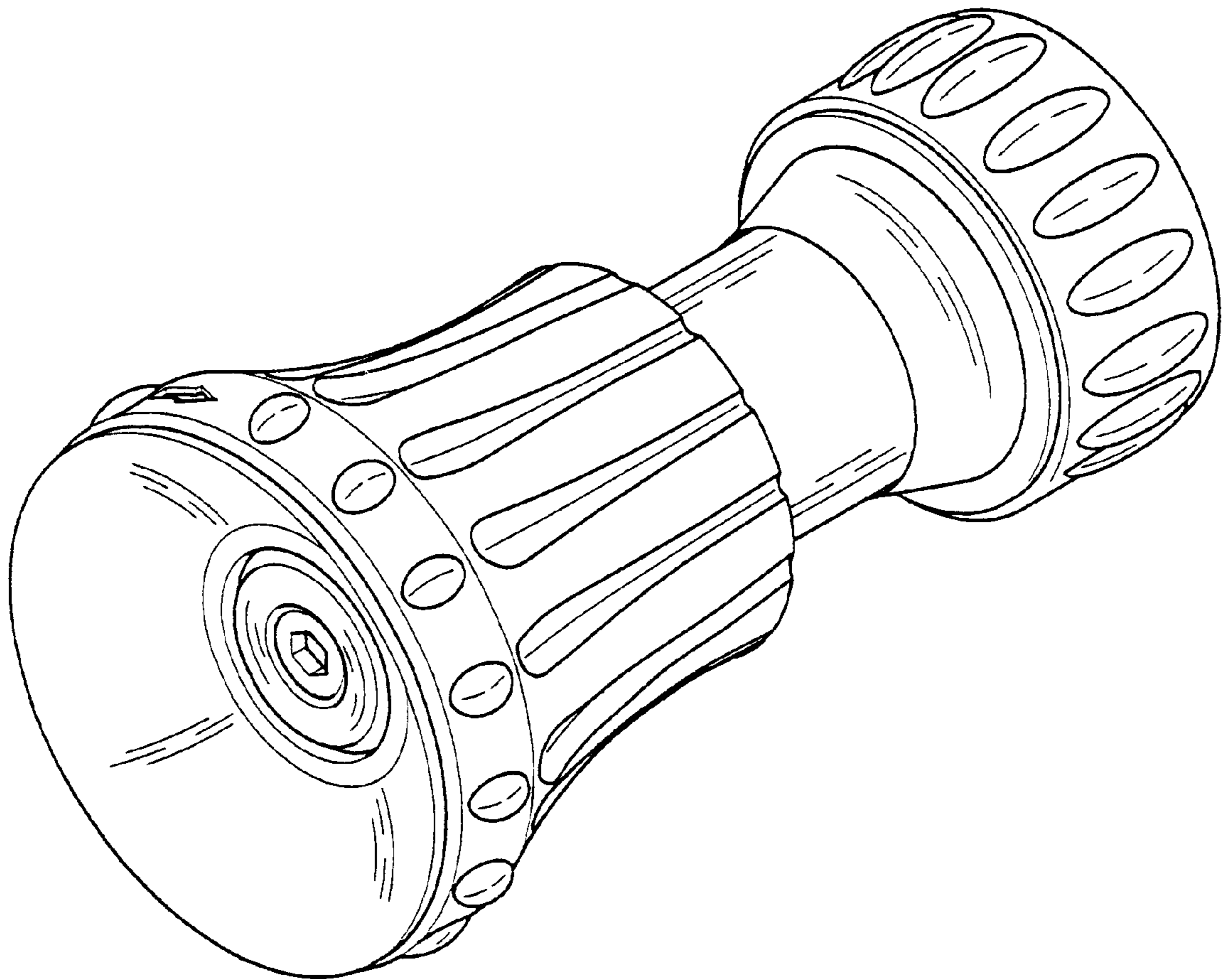


FIG.1

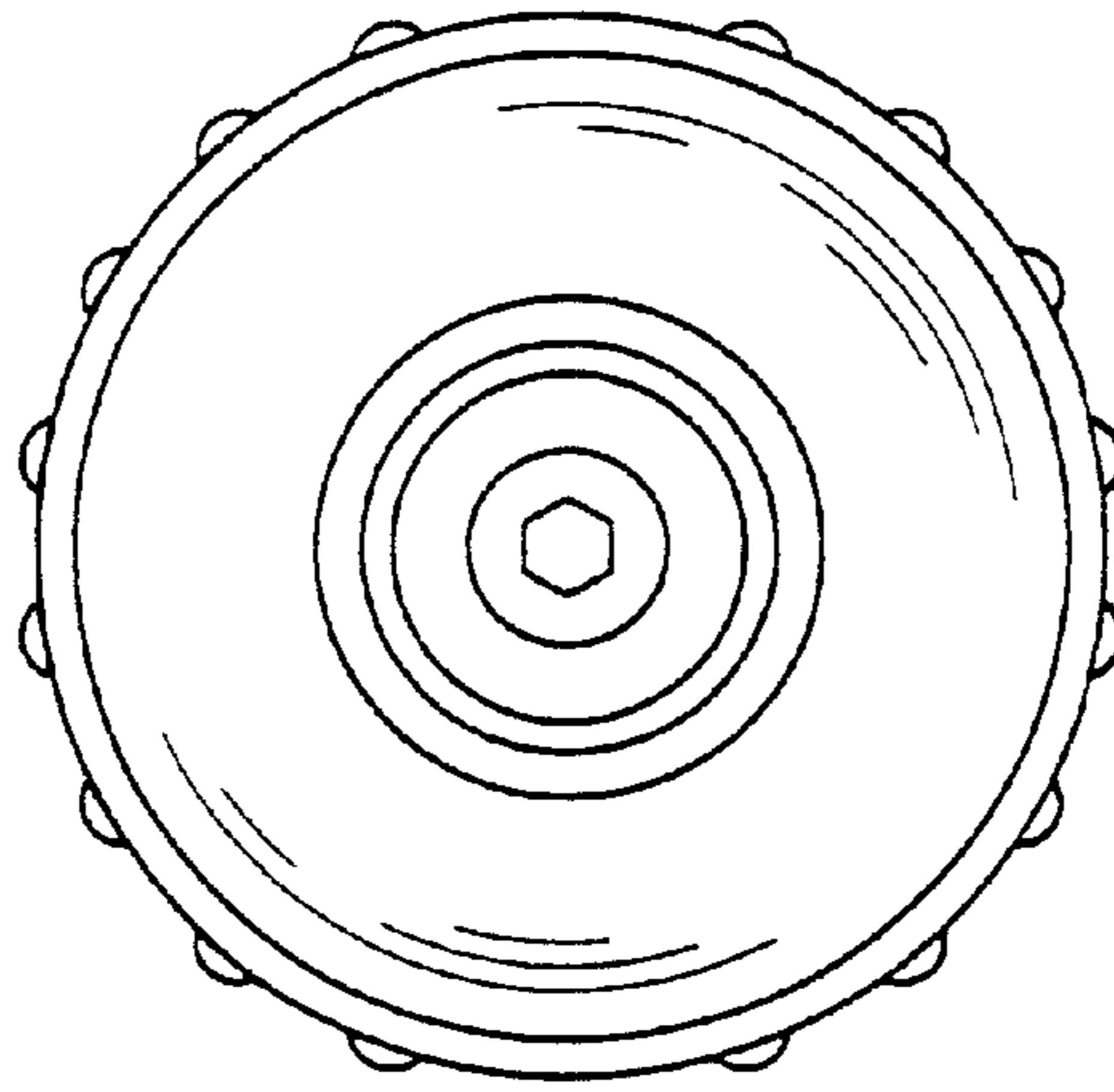


FIG. 2

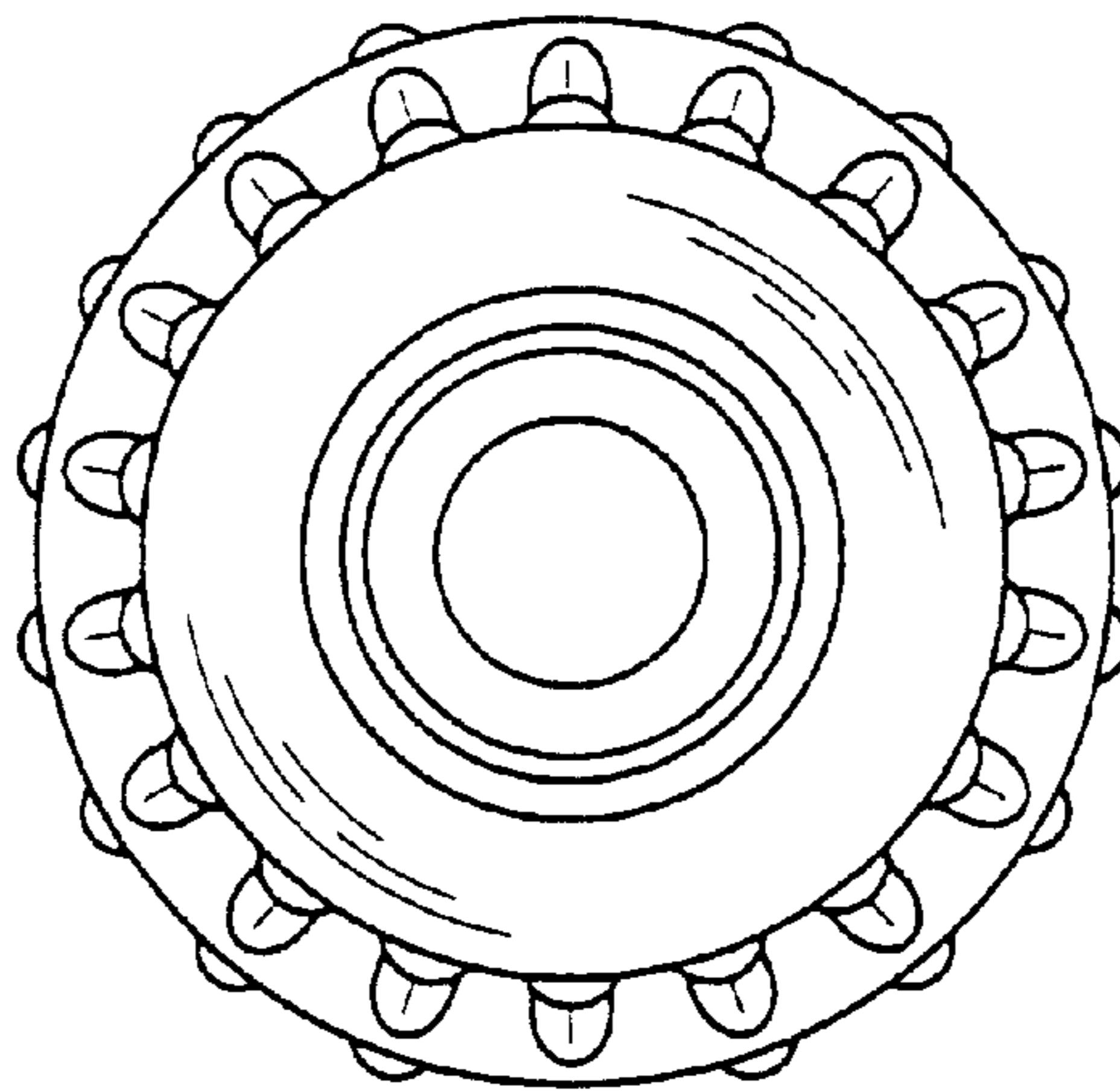


FIG. 3

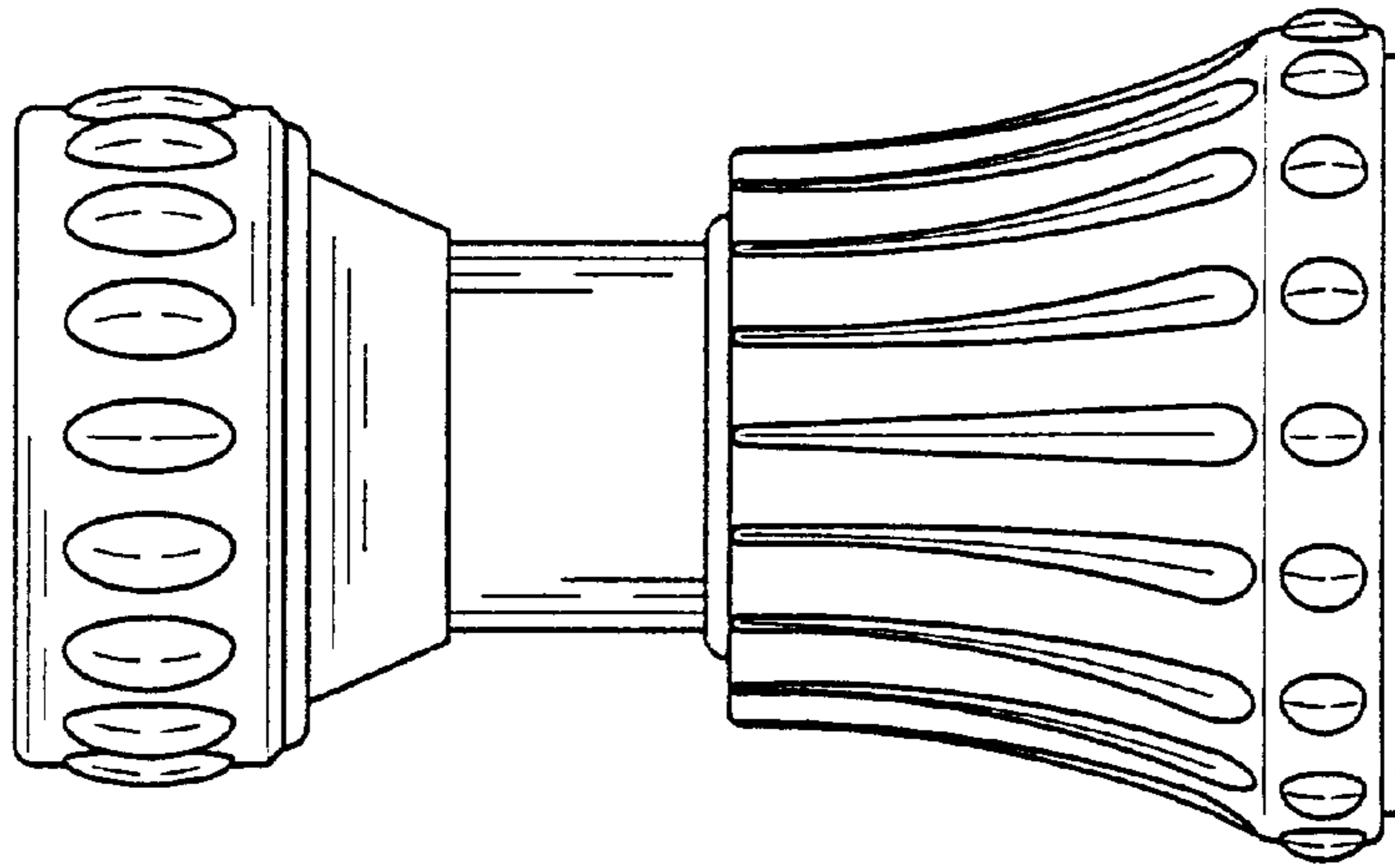


FIG. 4

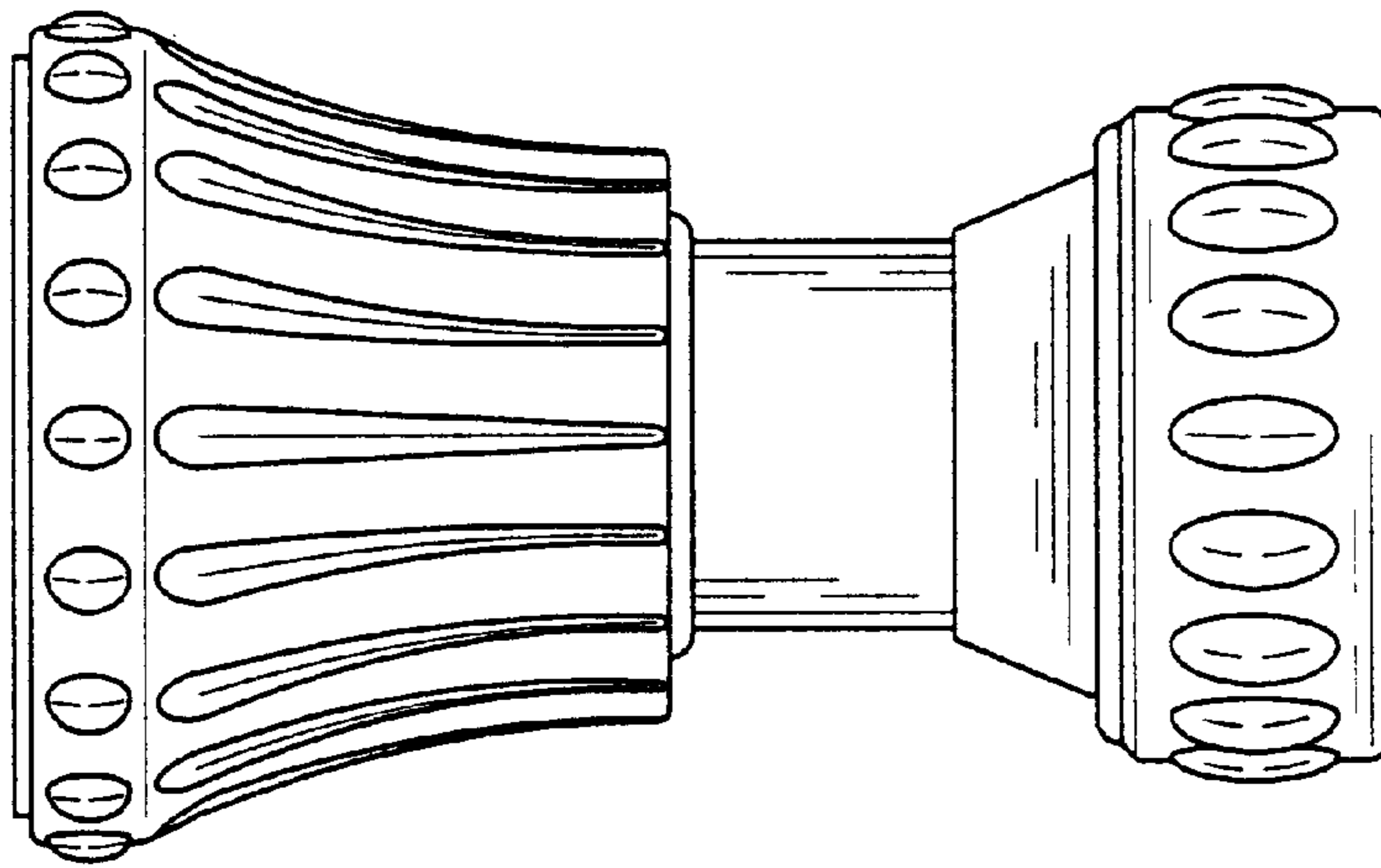


FIG. 5

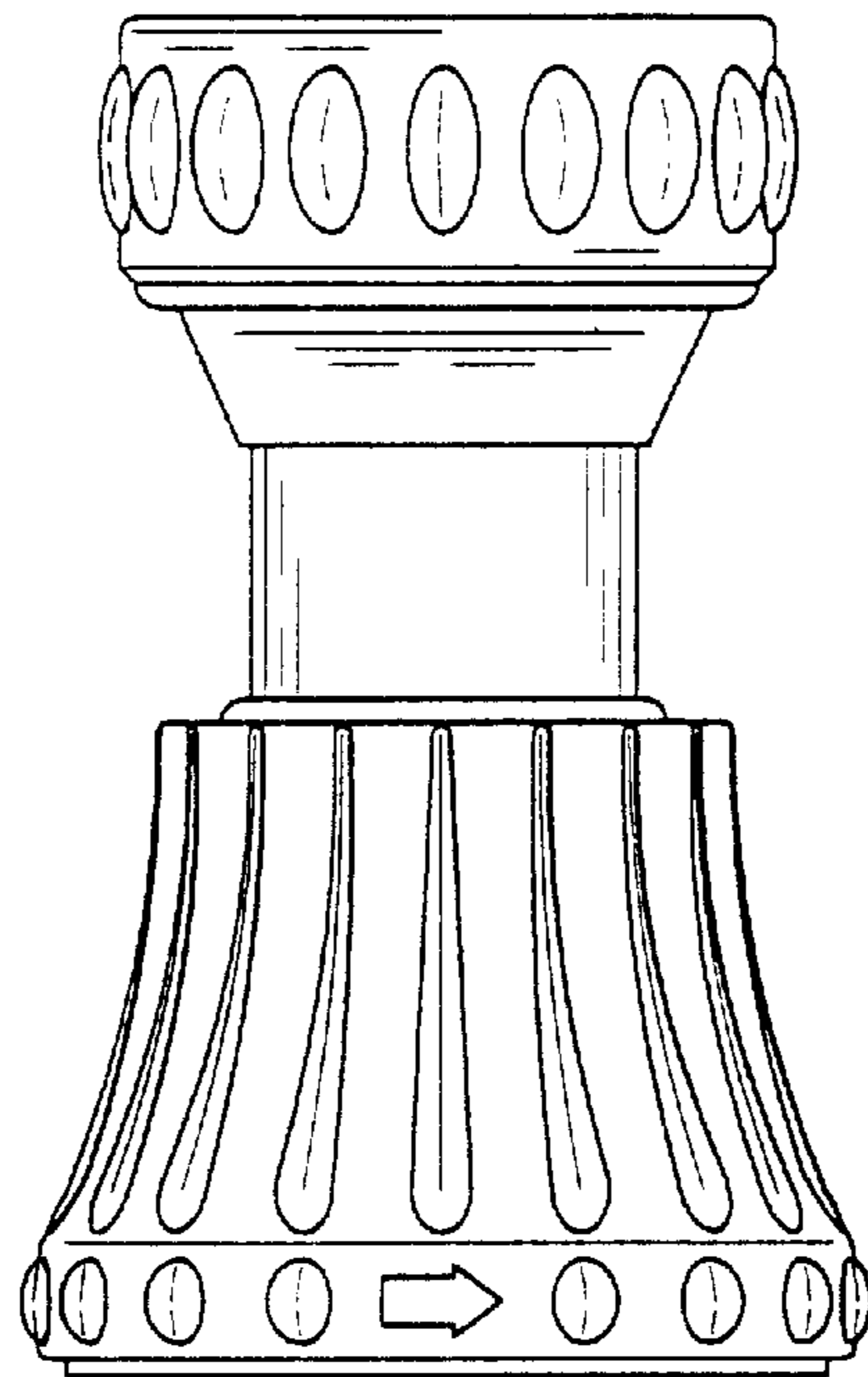


FIG. 6

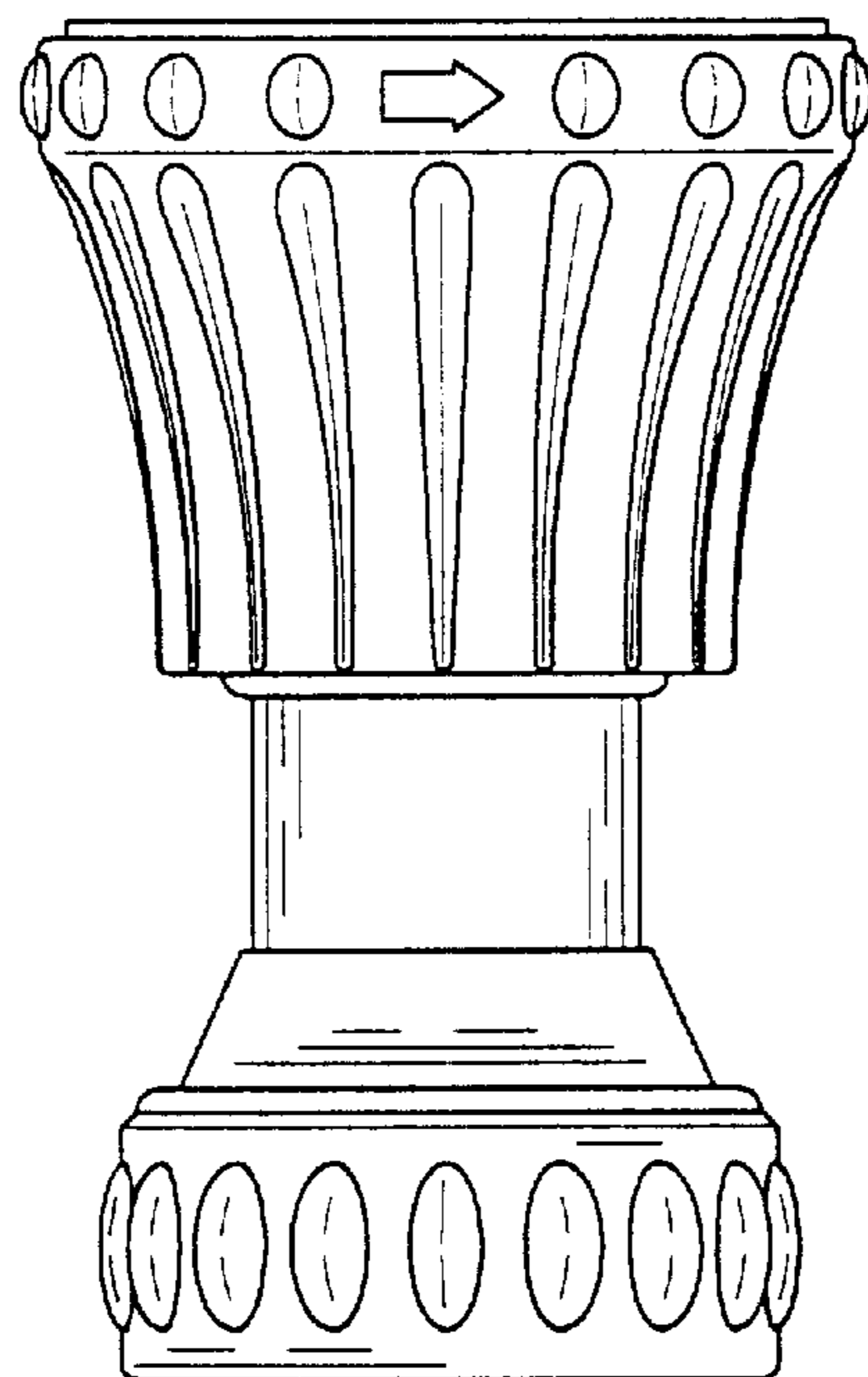


FIG. 7