



US00D479570S

(12) **United States Design Patent**  
**Scheunert**

(10) **Patent No.:** **US D479,570 S**

(45) **Date of Patent:** **\*\* Sep. 9, 2003**

(54) **PISTOL**

D464,702 S \* 10/2002 Mauch et al. .... D22/104

(75) Inventor: **Thomas Scheunert**, Arnsberg (DE)

**OTHER PUBLICATIONS**

(73) Assignee: **Carl Walther GmbH**, Ulm (DE)

Walther P99, Umarex Sportwaffen Catalog, published in Germany in Mar. 2001, pp. 12–13.

(\*\*) Term: **14 Years**

\* cited by examiner

(21) Appl. No.: **29/165,276**

*Primary Examiner*—Louis S. Zarfes

(22) Filed: **Aug. 8, 2002**

*Assistant Examiner*—Monica A. Weingart

(51) **LOC (7) Cl.** ..... **22-01**

(52) **U.S. Cl.** ..... **D22/104**

(74) *Attorney, Agent, or Firm*—Hoffman, Wasson & Gitler, PC

(58) **Field of Search** ..... D22/100, 104,  
D22/105, 108, 199; D21/567, 570, 573,  
574, 575; 124/22, 37, 40; 42/1.02, 7, 50,  
65, 66, 70.11, 71.02, 71.01, 74, 75.03,  
117; 362/114

(57) **CLAIM**

The ornamental design for a pistol, as shown and described.

(56) **References Cited**

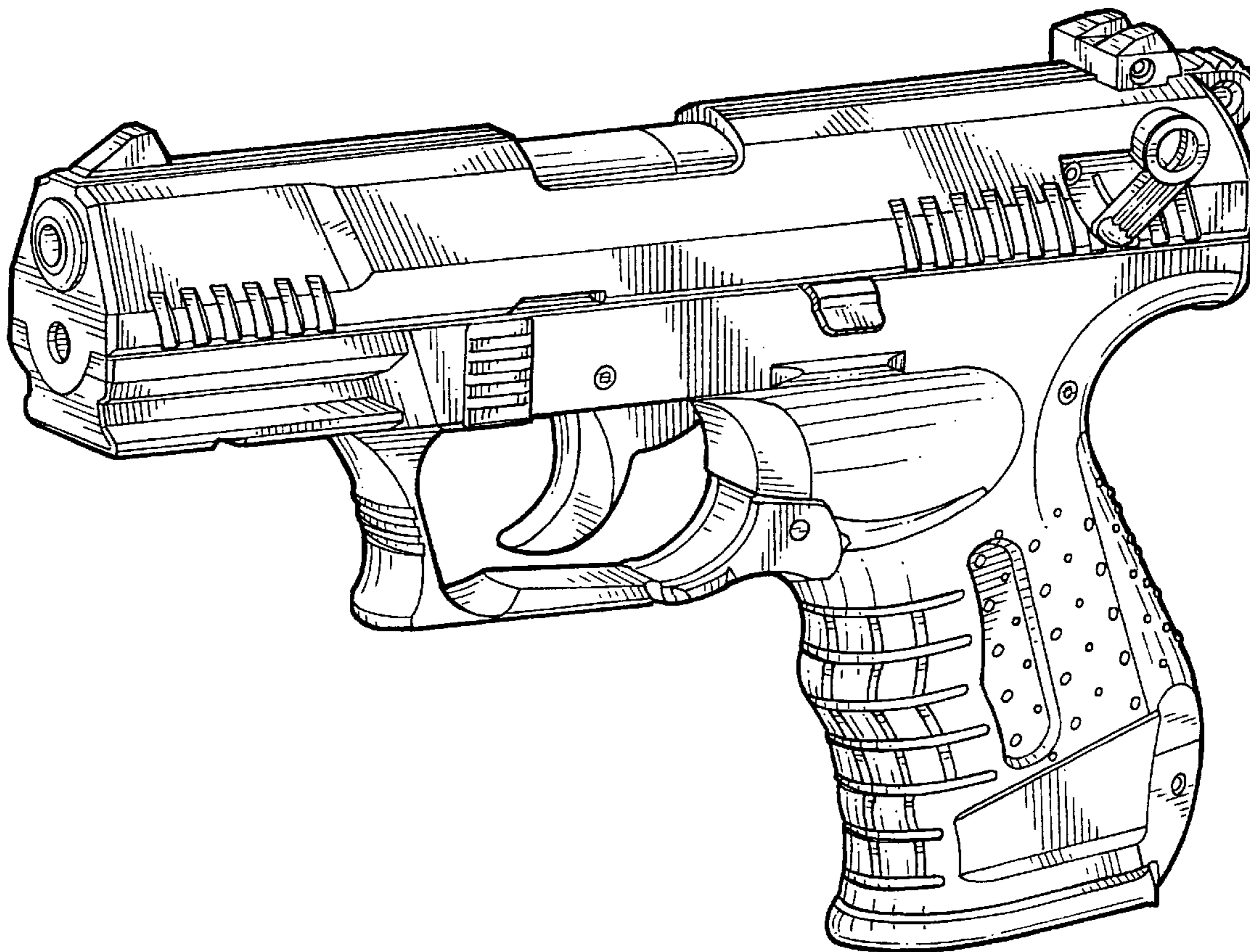
**U.S. PATENT DOCUMENTS**

3,758,978 A \* 9/1973 Theodore ..... 42/50 X  
D351,448 S \* 10/1994 Fisher ..... D22/108  
D359,788 S \* 6/1995 Ruger et al. .... D22/104  
D377,513 S \* 1/1997 Lenkarski et al. .... D22/104  
D458,652 S \* 6/2002 Chan ..... D21/574

**DESCRIPTION**

FIG. 1 is a perspective view of the pistol;  
FIG. 2 is a left side view of the pistol;  
FIG. 3 is a right side view of the pistol;  
FIG. 4 is a front view of the pistol;  
FIG. 5 is a rear view of the pistol;  
FIG. 6 is a top view of the pistol; and,  
FIG. 7 is a bottom view of the pistol.

**1 Claim, 5 Drawing Sheets**



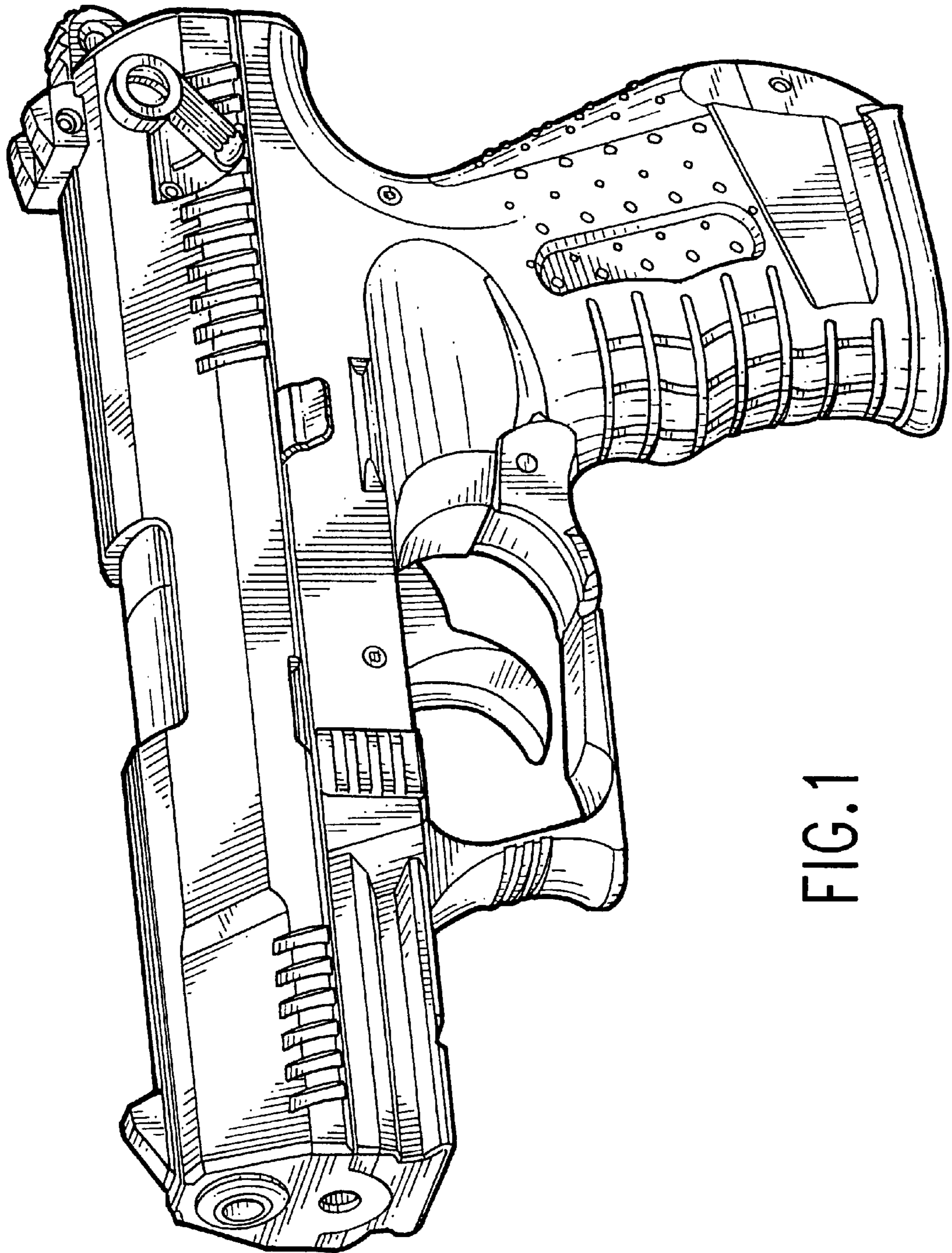


FIG.1

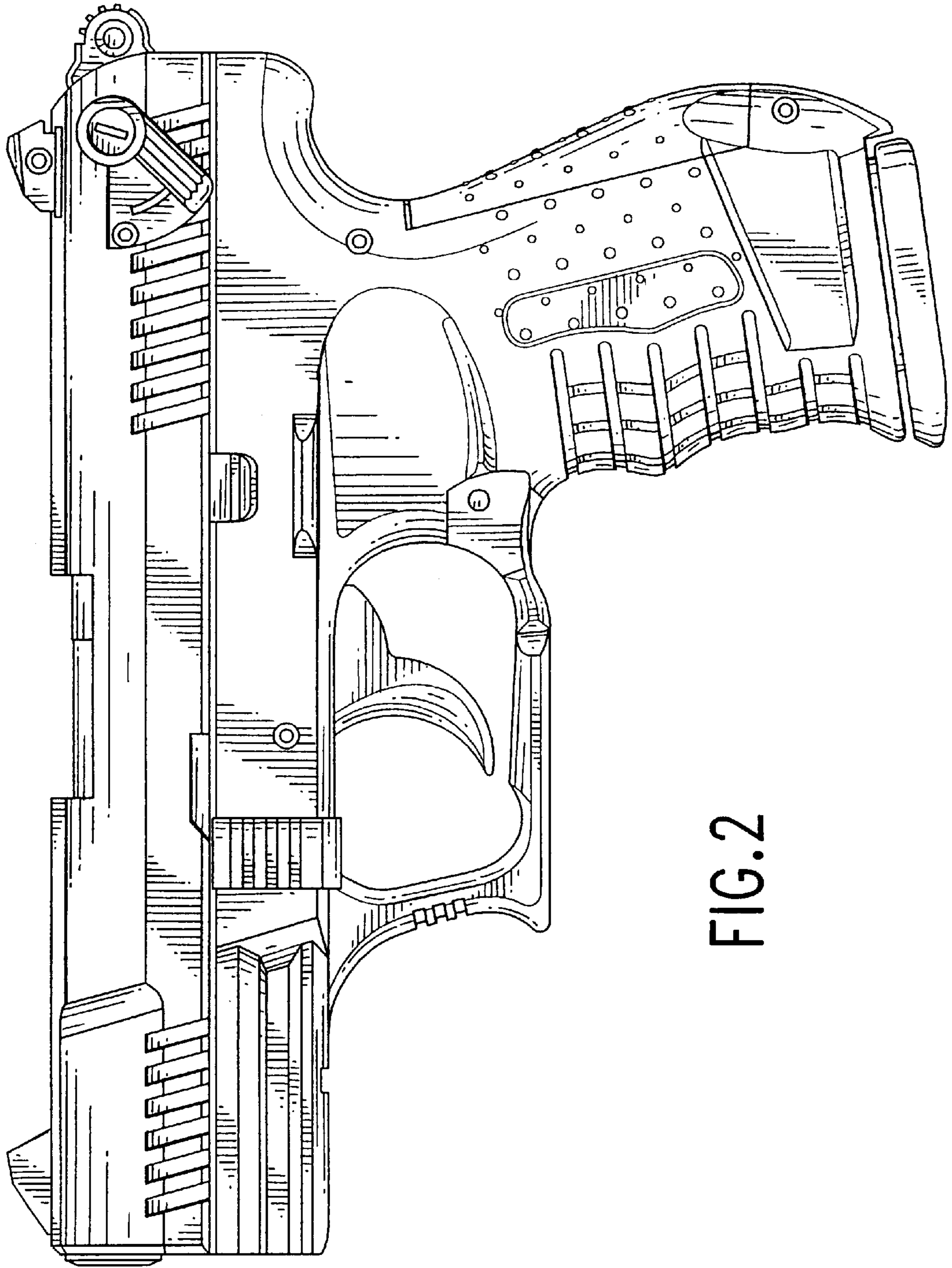


FIG. 2

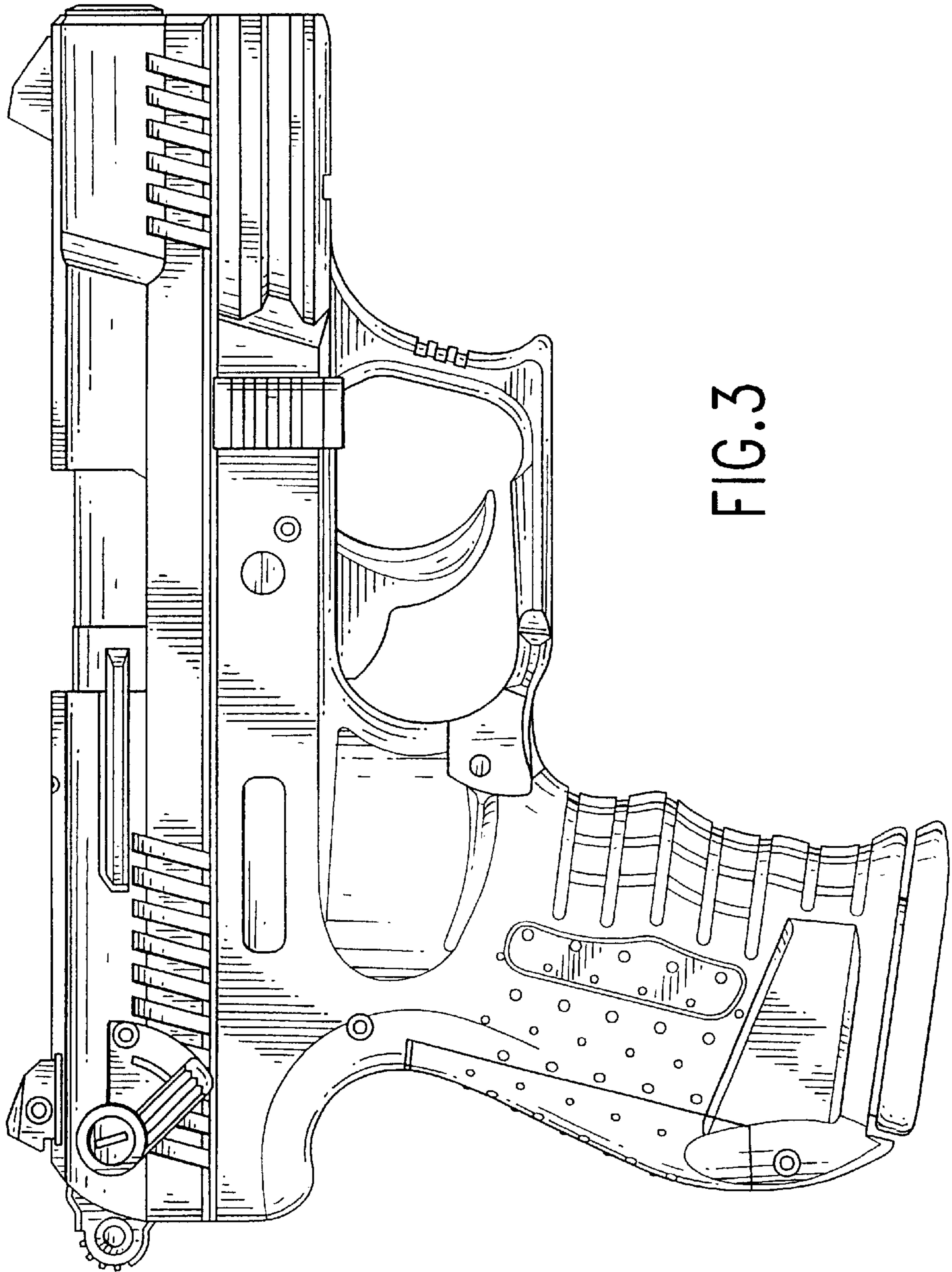


FIG. 3

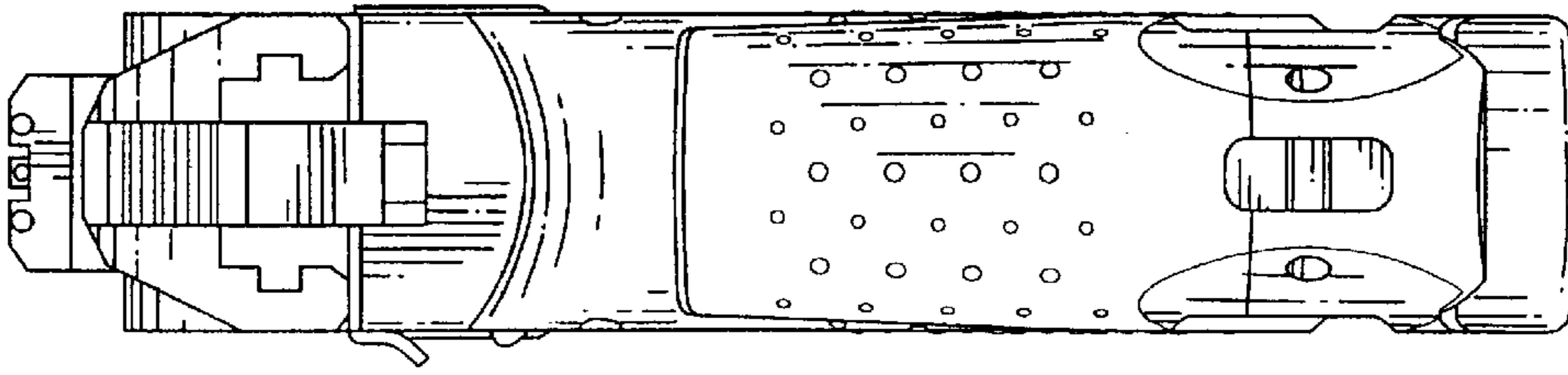


FIG. 5

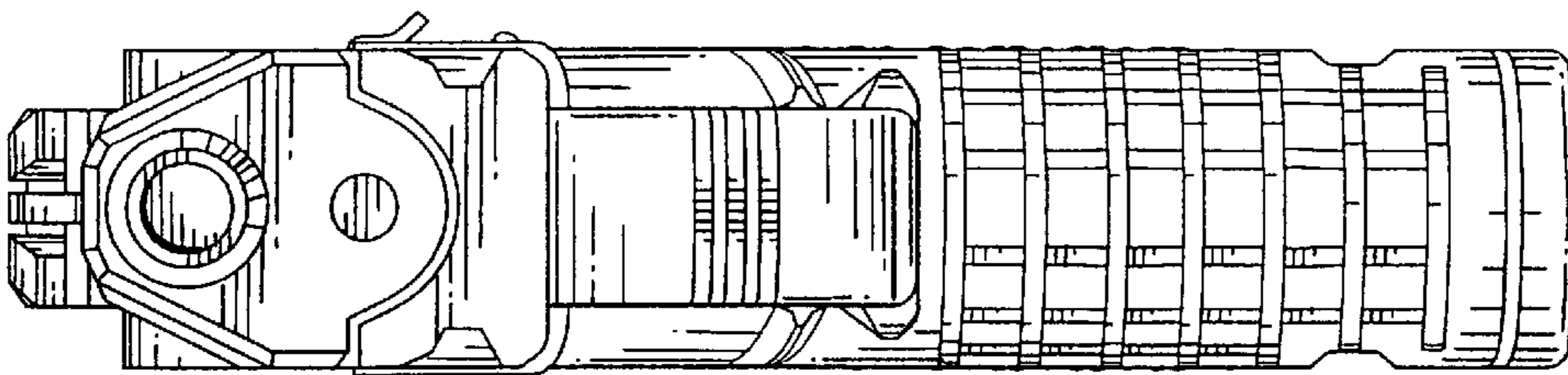


FIG. 4

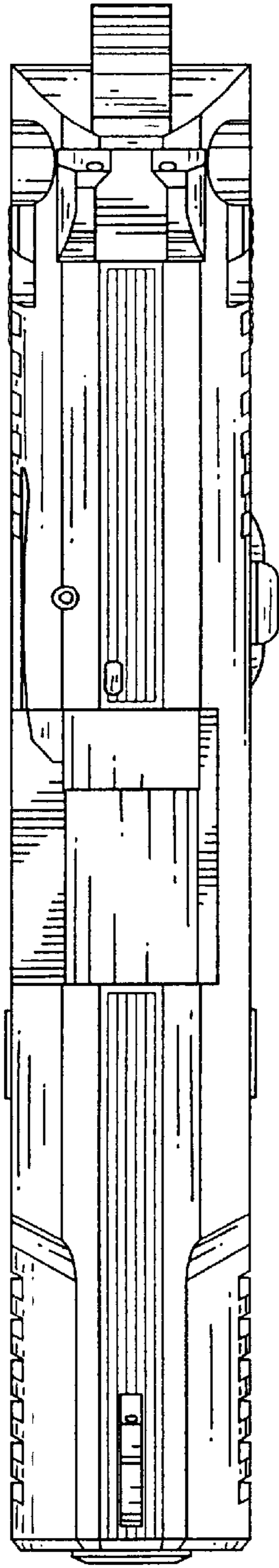


FIG. 6

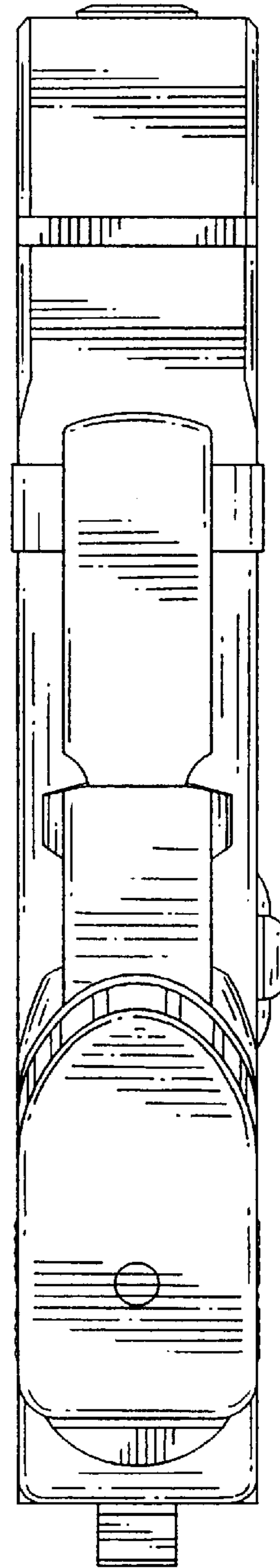


FIG. 7