



US00D479565S

(12) **United States Design Patent**
Schneider

(10) **Patent No.:** **US D479,565 S**

(45) **Date of Patent:** **** Sep. 9, 2003**

(54) **TOY TRACTOR**

(75) **Inventor:** **Frank Schneider**, Neustradt b. Coburg (DE)

(73) **Assignee:** **Schneider GmbH & Co. KG**, Neustradt B. Coburg (DE)

(**) **Term:** **14 Years**

(21) **Appl. No.:** **29/167,329**

(22) **Filed:** **Sep. 12, 2002**

(51) **LOC (7) Cl.** **21-01**

(52) **U.S. Cl.** **D21/431**

(58) **Field of Search** D21/424, 426, D21/431, 433, 434, 435, 533, 537; D12/92, 100, 108; D15/15, 23, 25-26; 446/160, 428, 447, 456, 465, 470; 280/1.13, 87.021, 828, 47.11

(56) **References Cited**

U.S. PATENT DOCUMENTS

D202,436 S * 9/1965 Schreckengost D21/431
D224,298 S * 7/1972 Kermer D15/23

D251,749 S * 5/1979 Bretschger D21/431

D297,239 S * 8/1988 Funabashi D15/23

D310,374 S * 9/1990 Westimayer D15/15

D354,756 S * 1/1995 Hinklin D15/15

D382,024 S * 8/1997 Ewringmann D21/431

OTHER PUBLICATIONS

Little Tikes, P30, 1994.*

* cited by examiner

Primary Examiner—Raphael Barkai

(74) *Attorney, Agent, or Firm*—Pyle & Piontek

(57) **CLAIM**

I claim the ornamental design for a toy tractor, as shown.

DESCRIPTION

FIG. 1 is a left side view showing my new design for a toy tractor;

FIG. 2 is a right side view thereof;

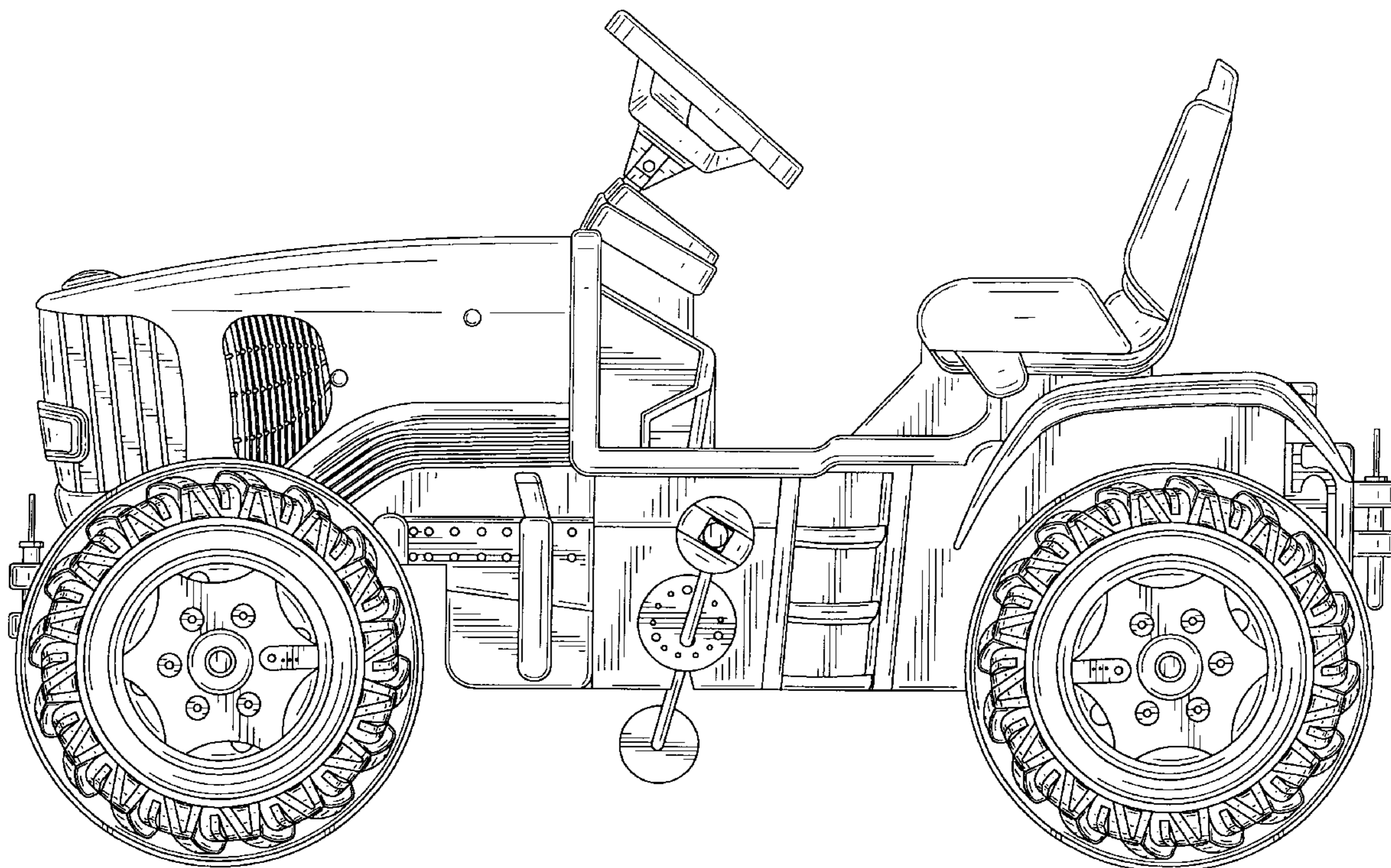
FIG. 3 is a front view thereof;

FIG. 4 is a rear view thereof;

FIG. 5 is a top view thereof; and,

FIG. 6 is a bottom plan view thereof.

1 Claim, 6 Drawing Sheets



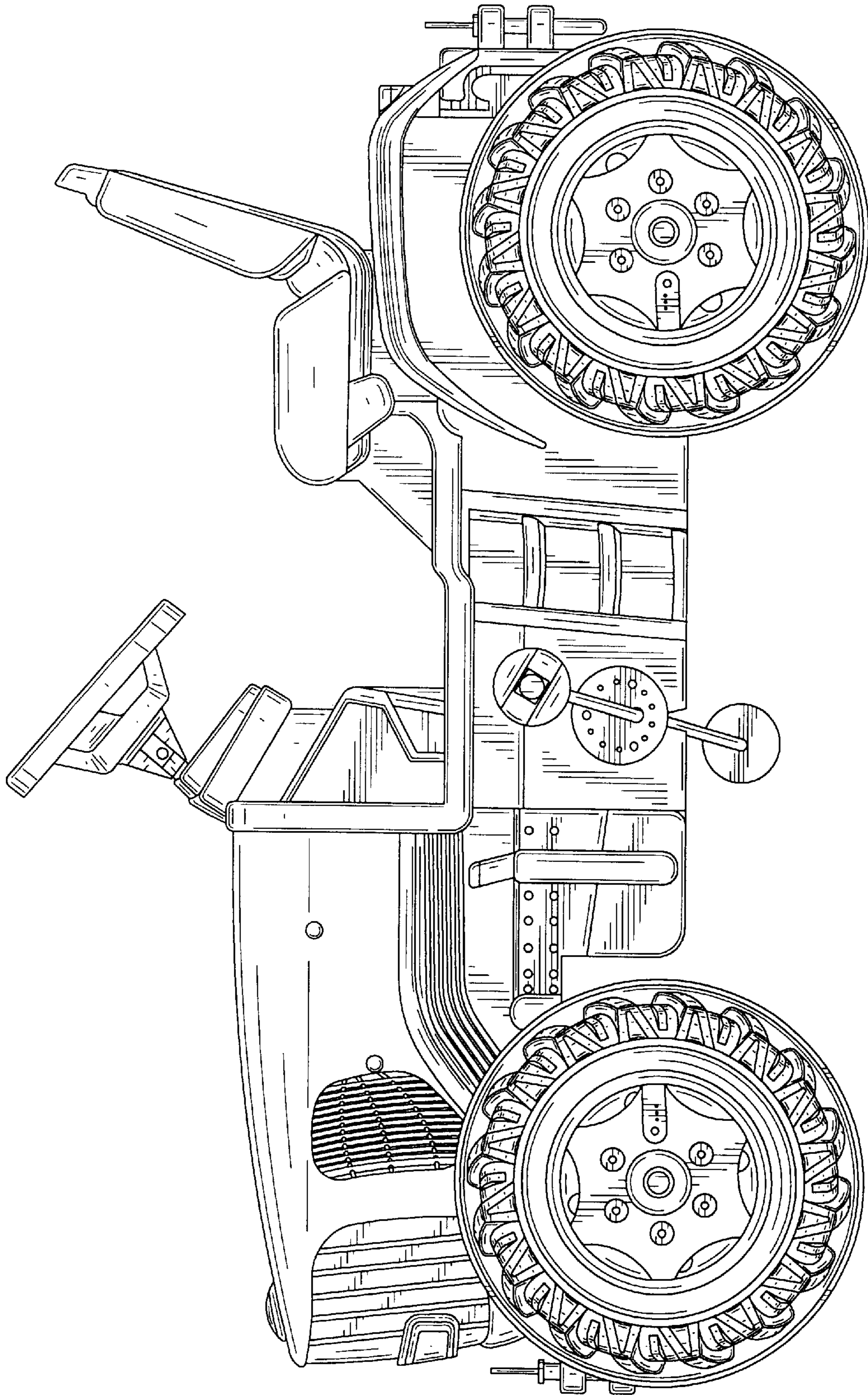


FIG. 1

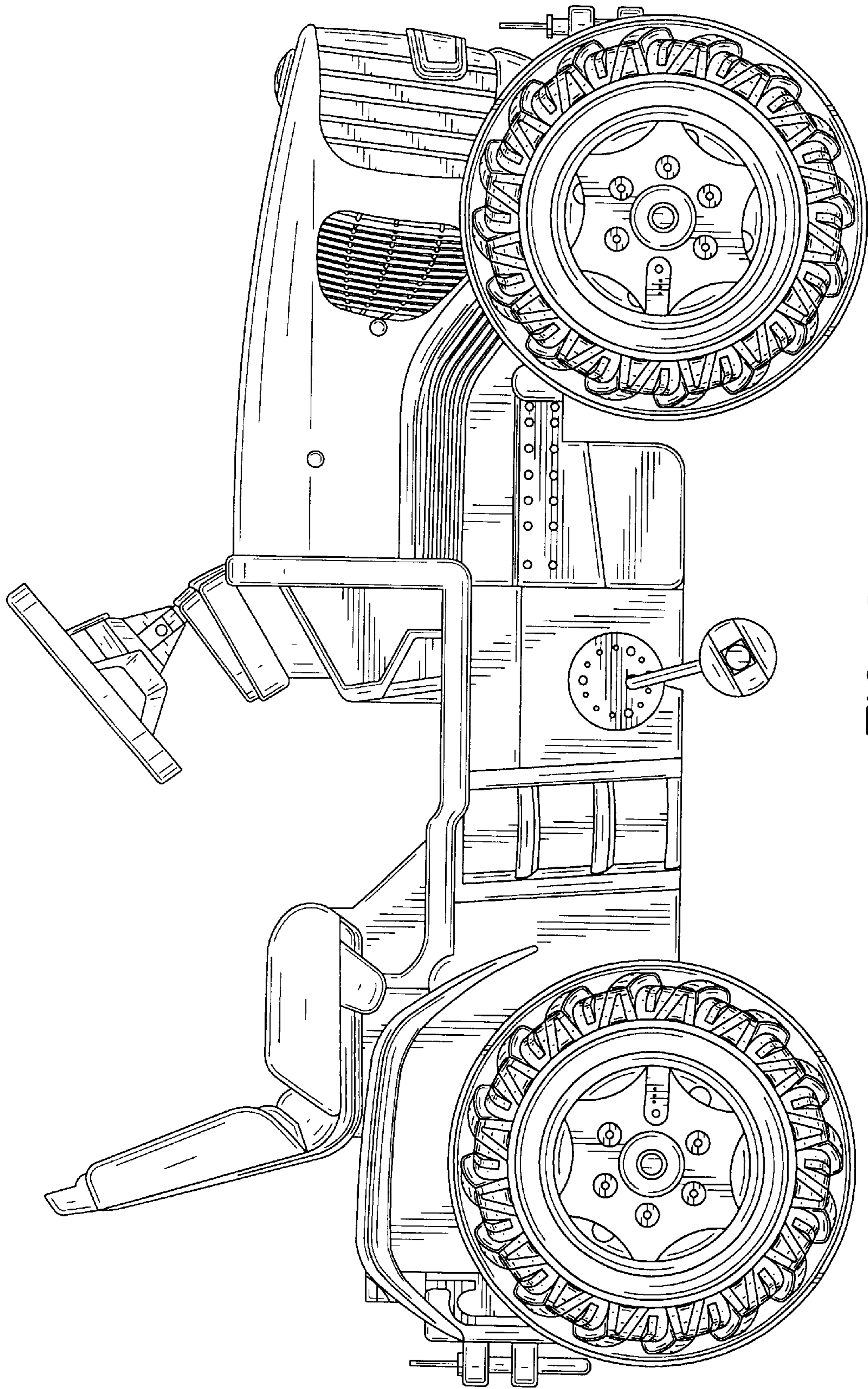


FIG. 2

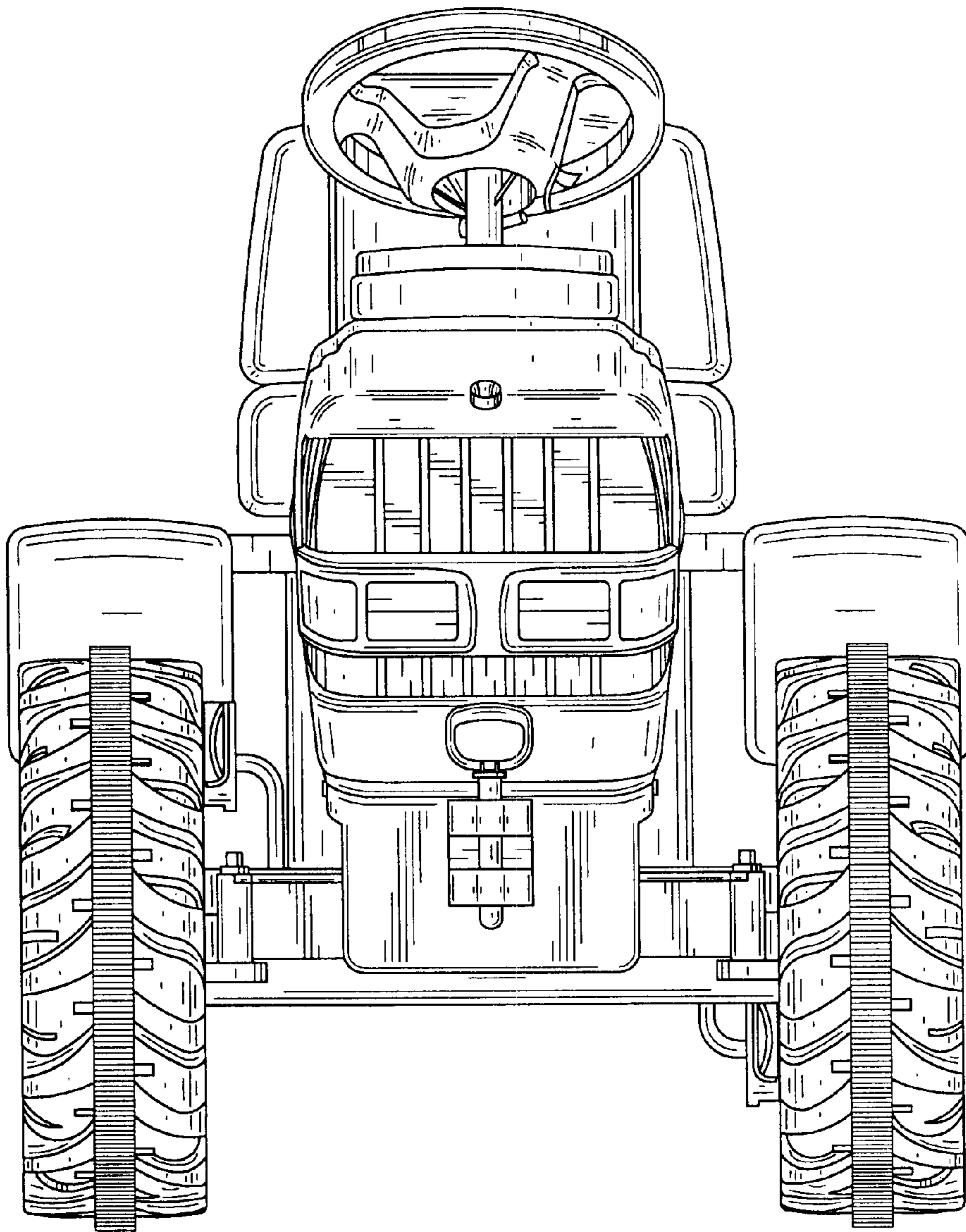


FIG. 3

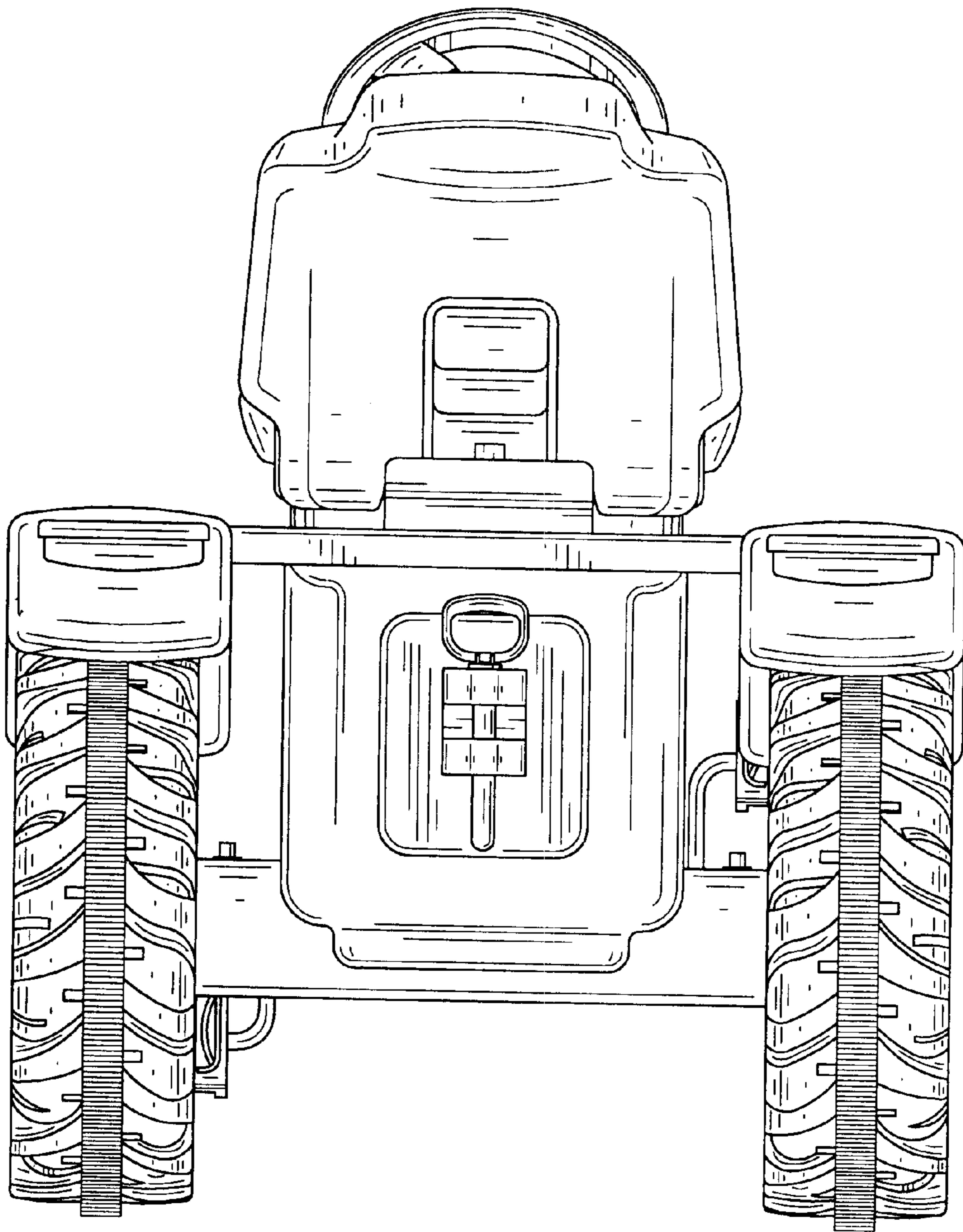


FIG. 4

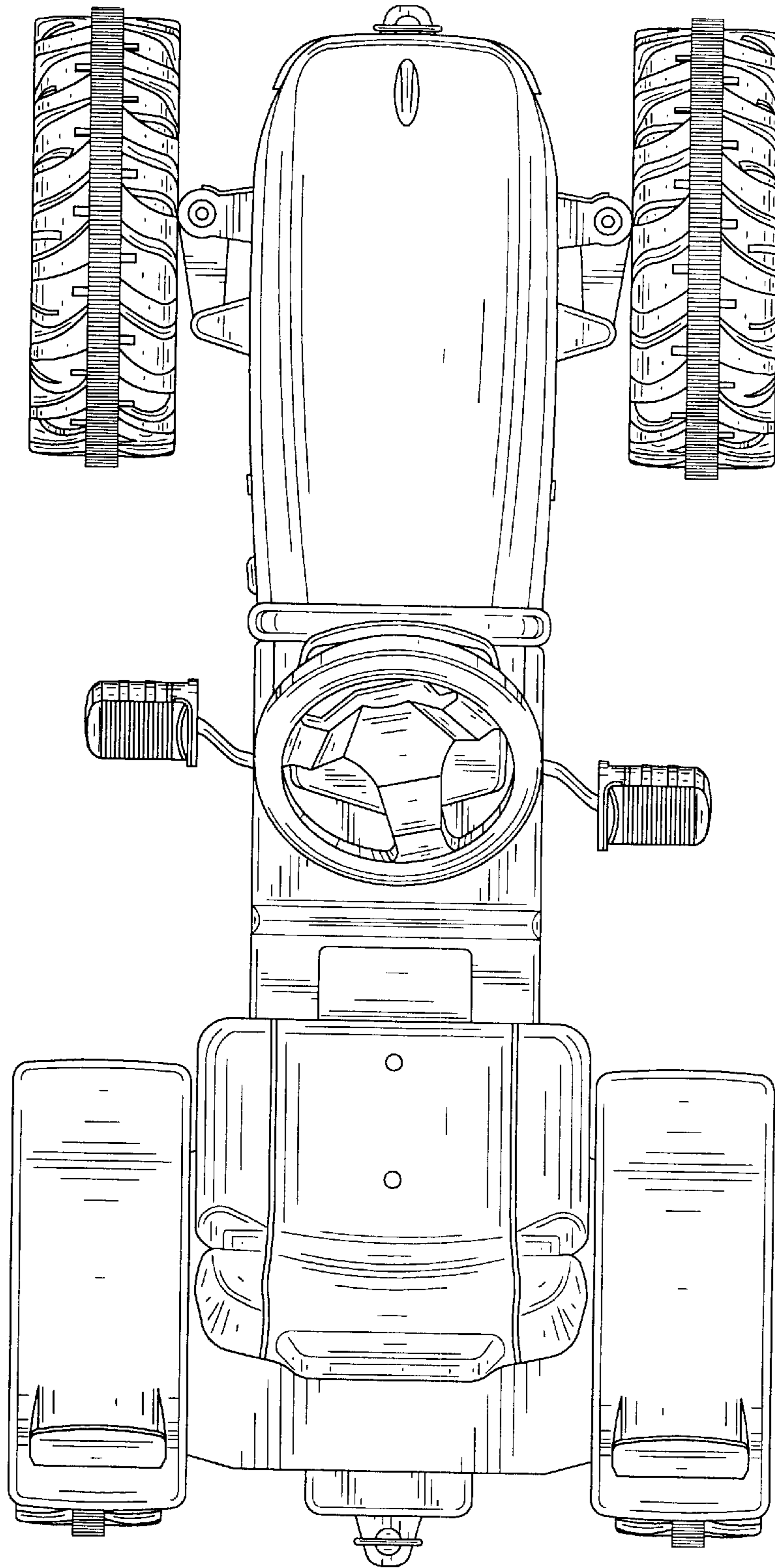


FIG. 5

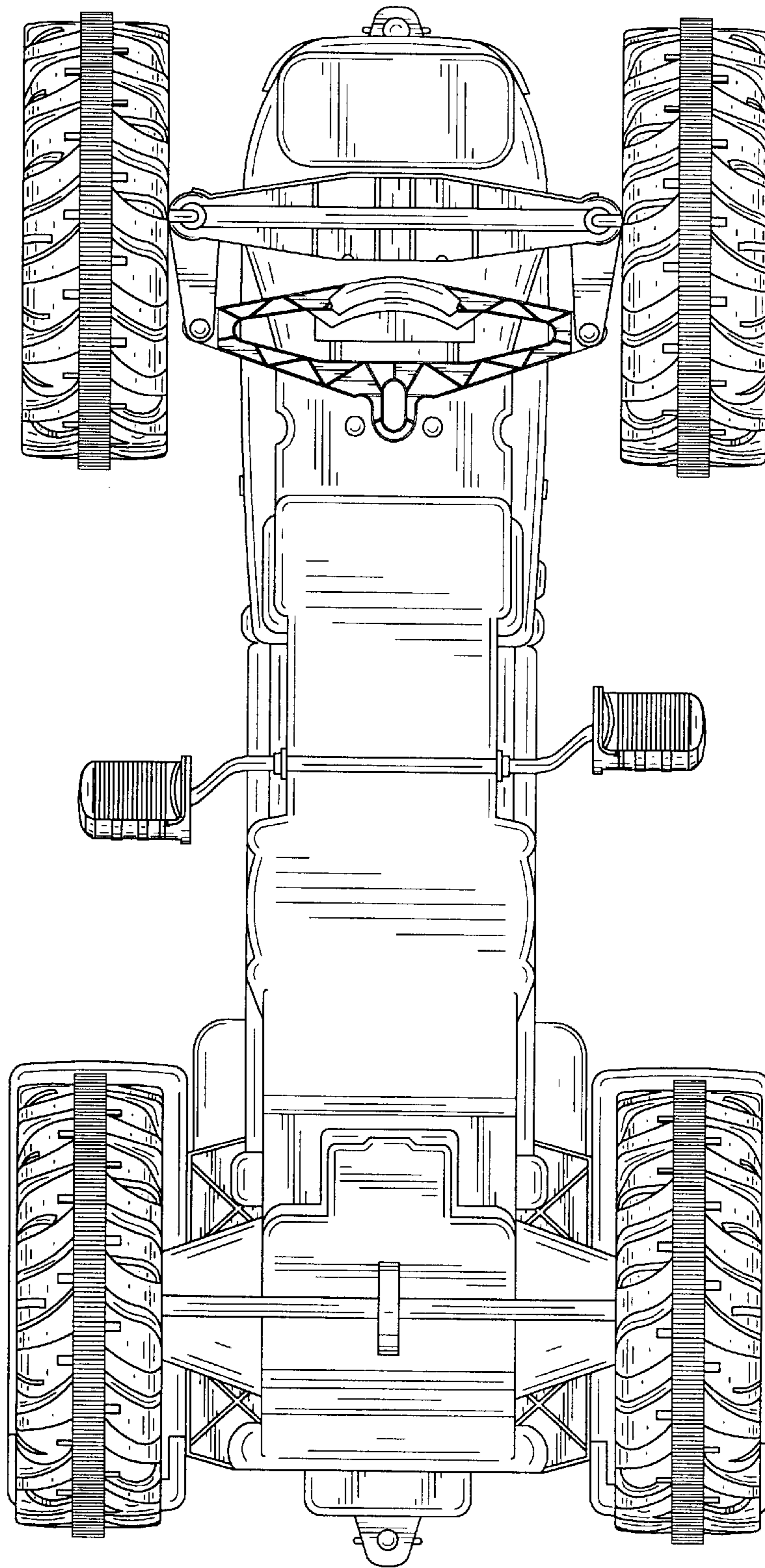


FIG. 6