



US00D479563S

(12) **United States Design Patent**
Shibano et al.

(10) **Patent No.:** **US D479,563 S**
(45) **Date of Patent:** **** Sep. 9, 2003**

(54) **DATA RECEIVER**

(75) Inventors: **Hayato Shibano, Kanagawa (JP);**
Futoshi Nagata, Kanagawa (JP)

(73) Assignee: **Mitsumi Electric Co., Ltd., Tokyo (JP)**

(**) Term: **14 Years**

(21) Appl. No.: **29/155,868**

(22) Filed: **Feb. 21, 2002**

(30) **Foreign Application Priority Data**

Aug. 21, 2001 (JP) 2001-024438

(51) **LOC (7) Cl.** **21-01**

(52) **U.S. Cl.** **D21/333; D14/400**

(58) **Field of Search** **D21/324, 333;**
D14/400, 401, 412, 496, 454, 432; 273/148 B;
463/1, 30-35, 43-47; 345/156, 728, 905

(56) **References Cited**

U.S. PATENT DOCUMENTS

5,941,775 A * 8/1999 Naka et al. 273/148 B
D419,139 S * 1/2000 Kohara D14/308
6,312,338 B1 * 11/2001 Sato et al. 463/46

D462,724 S * 9/2002 Sugino D21/333
D464,626 S * 10/2002 Ashida et al. D21/333
D466,130 S * 11/2002 Hussaini et al. D21/333
D468,365 S * 1/2003 Bransky et al. D14/496
D468,366 S * 1/2003 Blake, Jr. D21/333

* cited by examiner

Primary Examiner—Prabhakar Deshmukh

(74) *Attorney, Agent, or Firm*—Sughrue Mion, PLLC

(57) **CLAIM**

The ornamental design for a data receiver, as shown.

DESCRIPTION

FIG. 1 is a perspective view of the top, front, and left side of a data receiver showing our new design;

FIG. 2 is a perspective view of the bottom, rear, and right side thereof;

FIG. 3 is a front elevational view thereof;

FIG. 4 is a rear elevational view thereof;

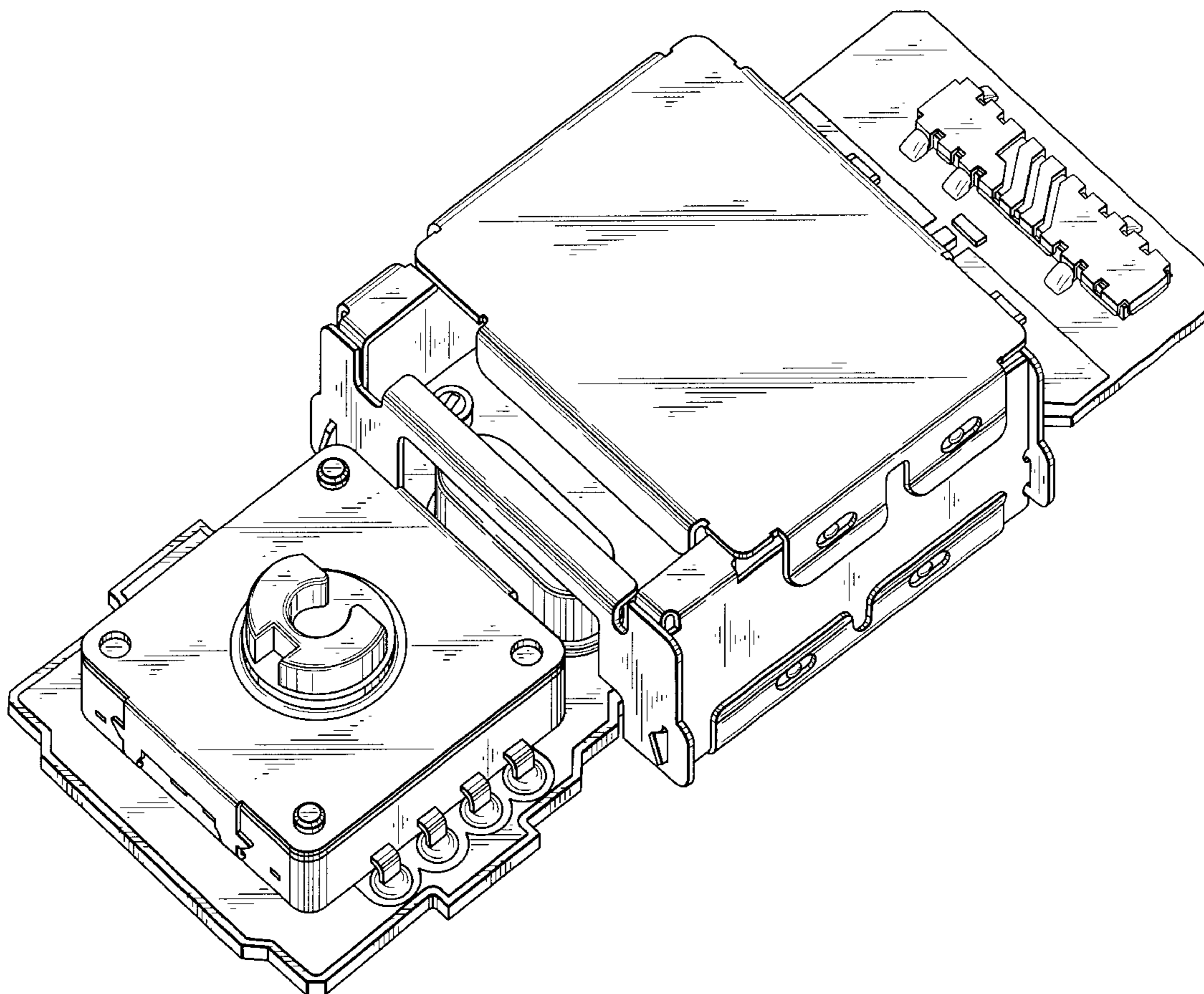
FIG. 5 is a left side elevational view thereof;

FIG. 6 is a right side elevational view thereof;

FIG. 7 is a top plan view thereof; and,

FIG. 8 is a bottom plan view thereof.

1 Claim, 6 Drawing Sheets



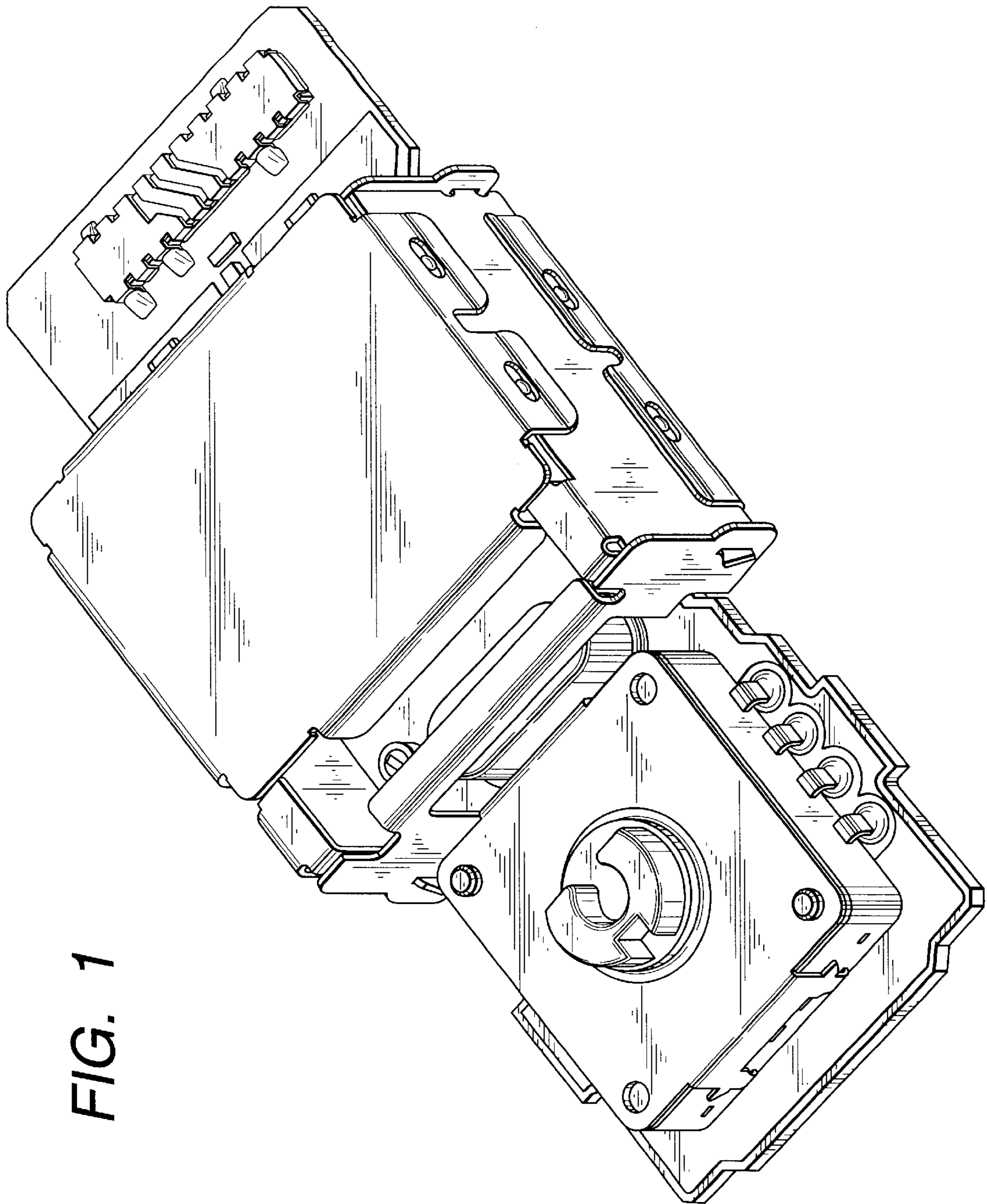


FIG. 1

FIG. 2

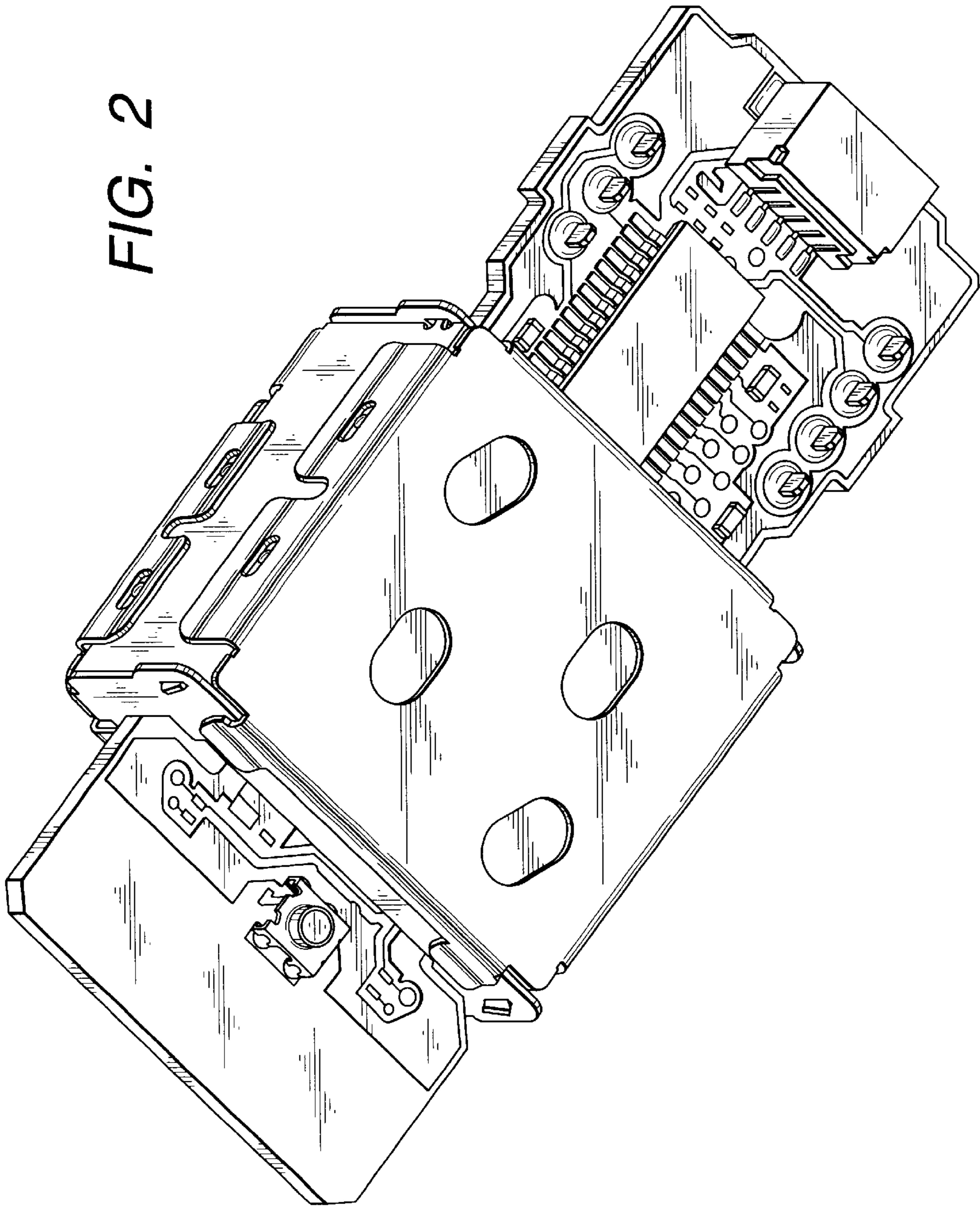


FIG. 3

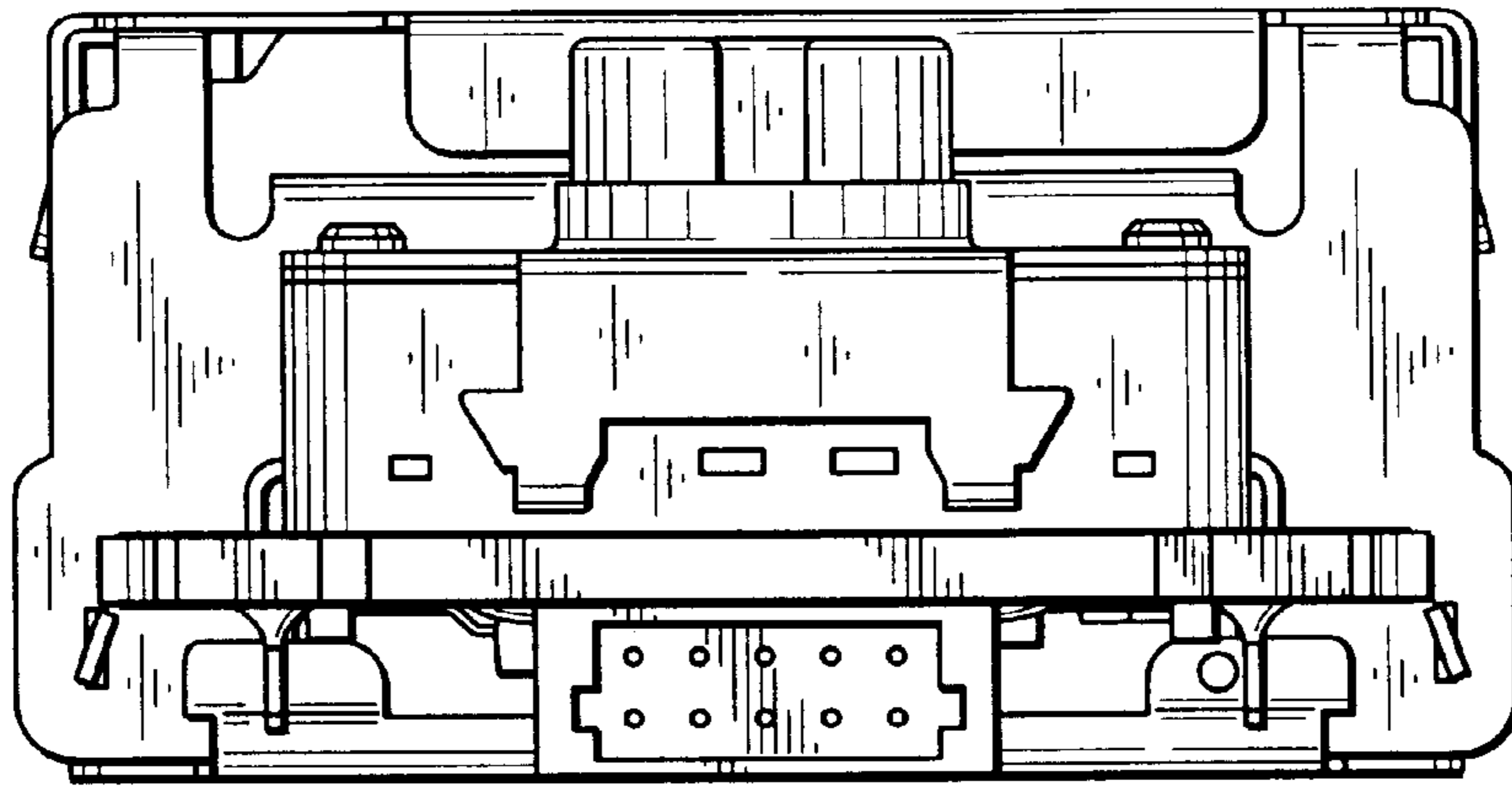


FIG. 4

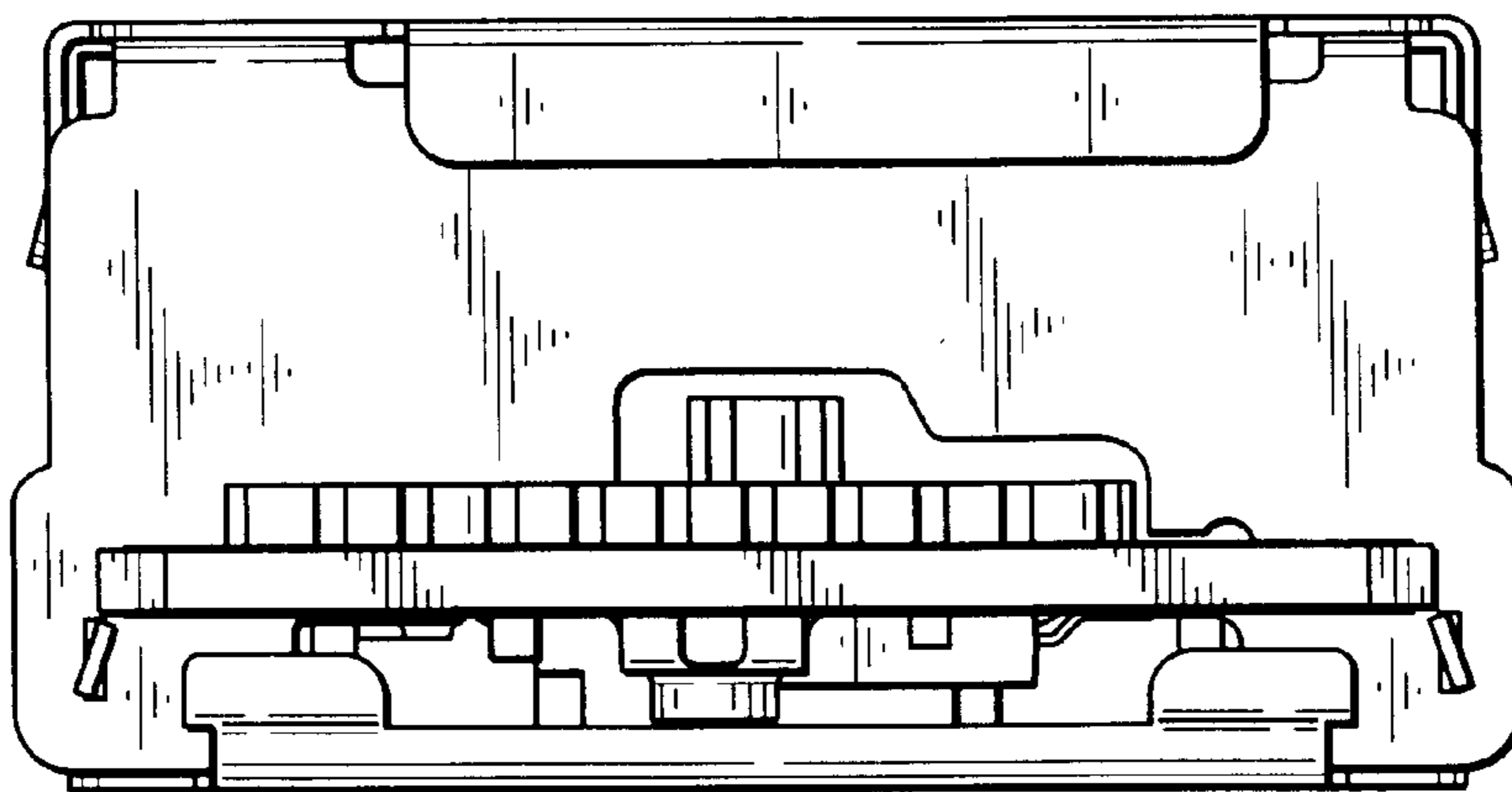


FIG. 5

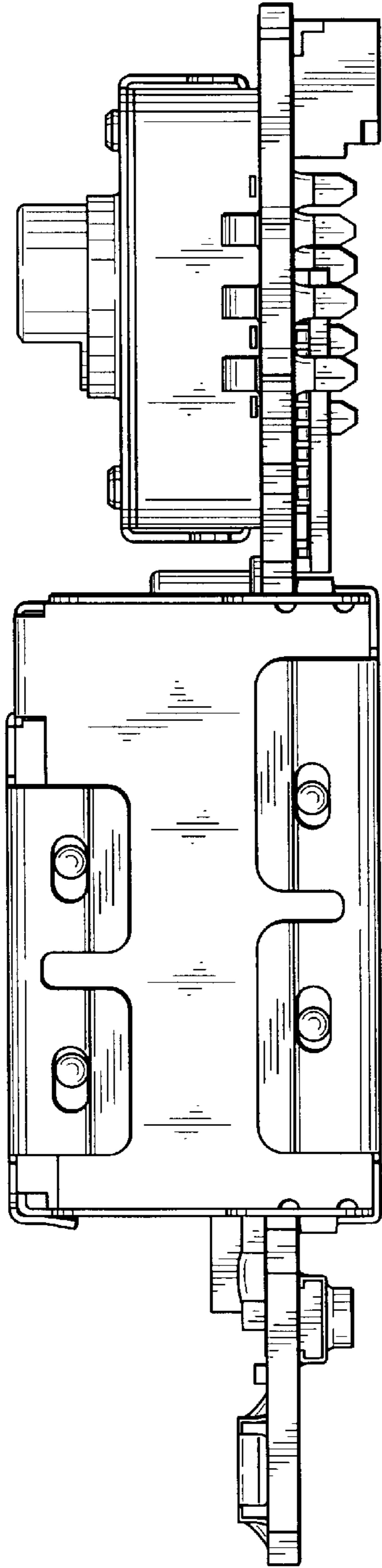


FIG. 6

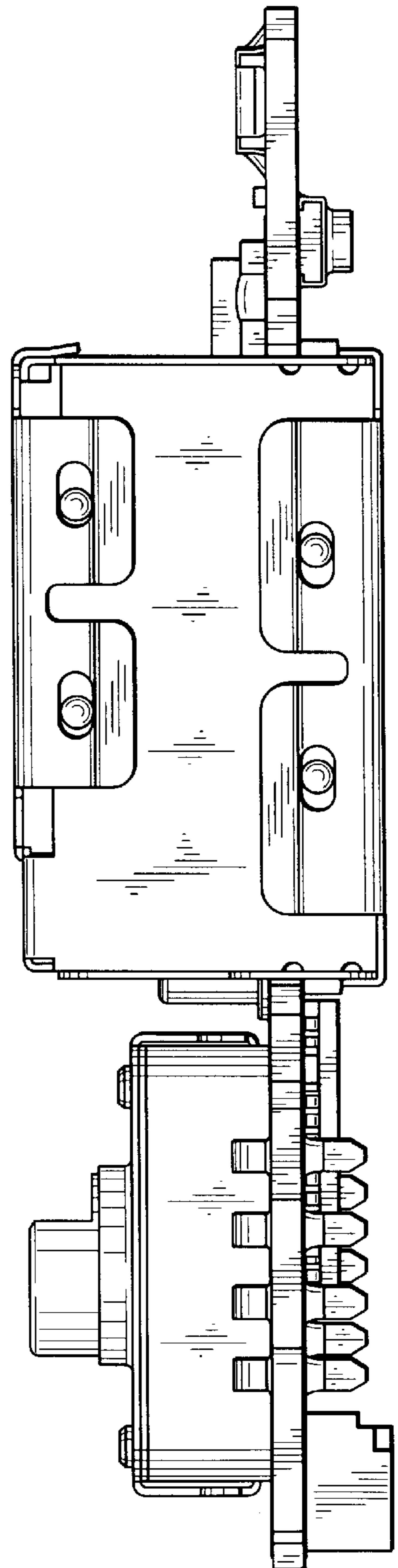


FIG. 7

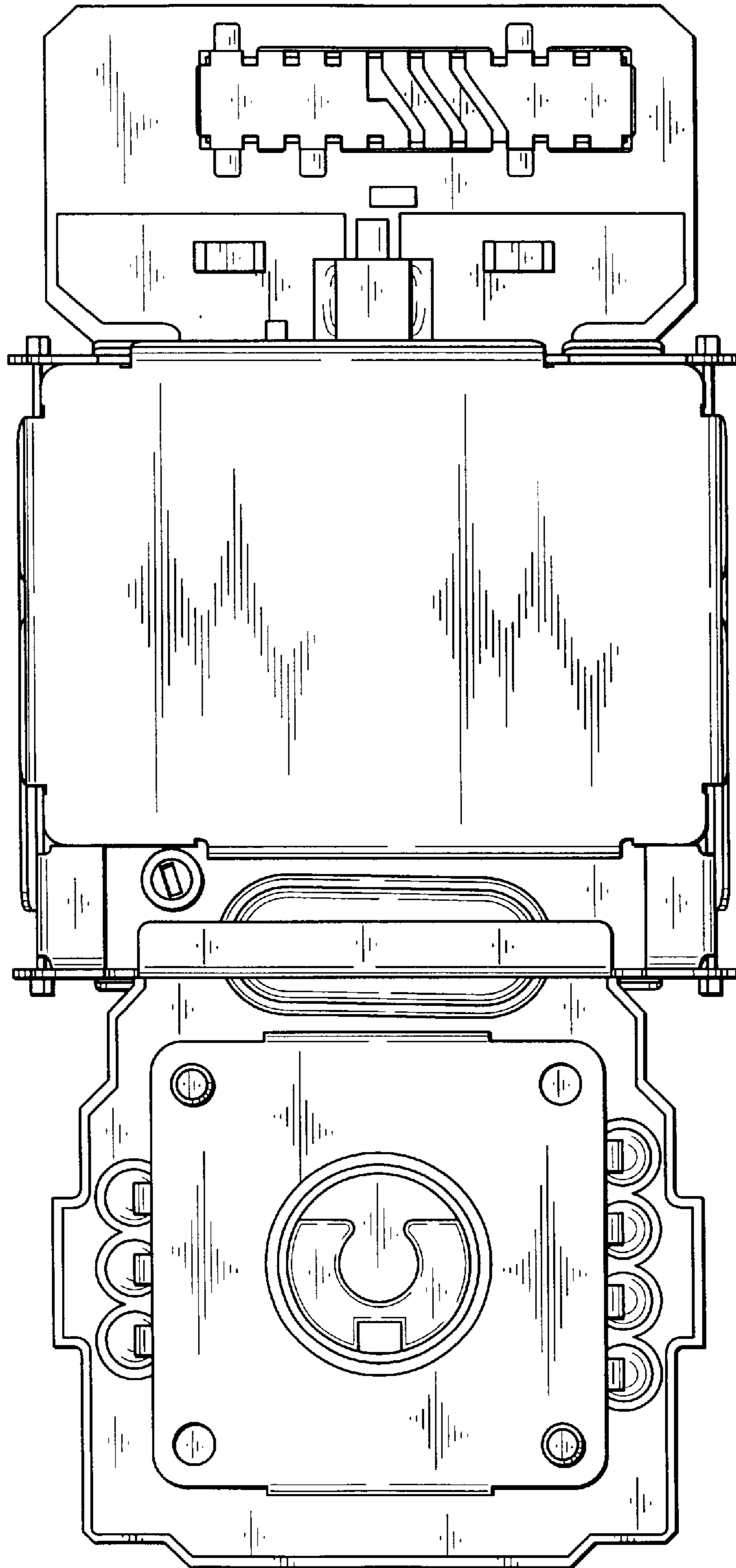


FIG. 8

