



US00D479561S

(12) **United States Design Patent**
Meyer

(10) **Patent No.:** **US D479,561 S**

(45) **Date of Patent:** **** Sep. 9, 2003**

(54) **HANG TAG**

D399,260 S * 10/1998 Thimote D20/17

(76) Inventor: **Dennis R. Meyer**, 10904 Sun Ridge Rd., Goshen, KY (US) 40026

(**) Term: **14 Years**

(21) Appl. No.: **29/159,605**

(22) Filed: **Apr. 24, 2002**

(51) **LOC (7) Cl.** **19-08**

(52) **U.S. Cl.** **D20/22**

(58) **Field of Search** D20/10, 22, 28,
D20/40, 41, 42, 99; 40/1.5, 1.6, 5, 6, 124.01,
299.01, 331, 633, 634, 669

(56) **References Cited**

U.S. PATENT DOCUMENTS

3,166,863 A	*	1/1965	Gray	40/613
D216,244 S	*	12/1969	Walklet	D20/10
D330,686 S	*	11/1992	Campagna	D20/41
D336,314 S	*	6/1993	Teale	D20/42
D346,828 S	*	5/1994	Hagen	D20/22
5,440,464 A	*	8/1995	Nowlin et al.	362/190
D363,248 S	*	10/1995	Bogacki, III	D10/109
D394,281 S	*	5/1998	Miller	D20/10

OTHER PUBLICATIONS

2" Octangle Special Brass Valve Tag, Seton Identification Products Catalog 3B, Summer/Fall 1994, p. BA53.*

* cited by examiner

Primary Examiner—Robert M. Spear

(74) *Attorney, Agent, or Firm*—Camoriano and Associates; Theresa Fritz Camoriano

(57) **CLAIM**

The ornamental design for a hang tag, as shown and described.

DESCRIPTION

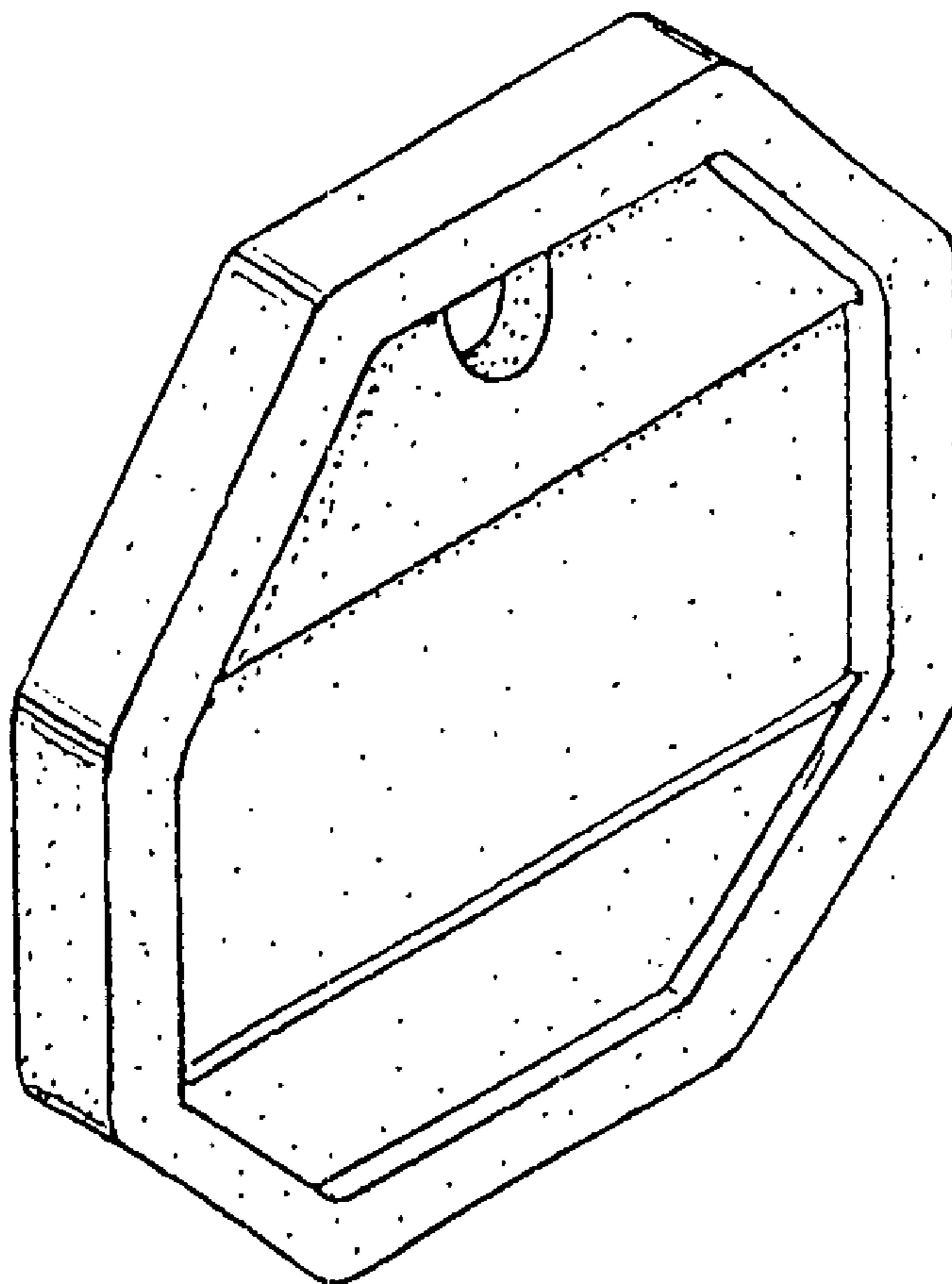
FIG. 1 is a front perspective view of a hang tag showing my design;

FIG. 2 is a front view thereof, which is the same as the rear view thereof;

FIG. 3 is a left side view thereof, which is the same as the right side view thereof; and,

FIG. 4 is a top view thereof, which is the same as the bottom view thereof.

1 Claim, 1 Drawing Sheet



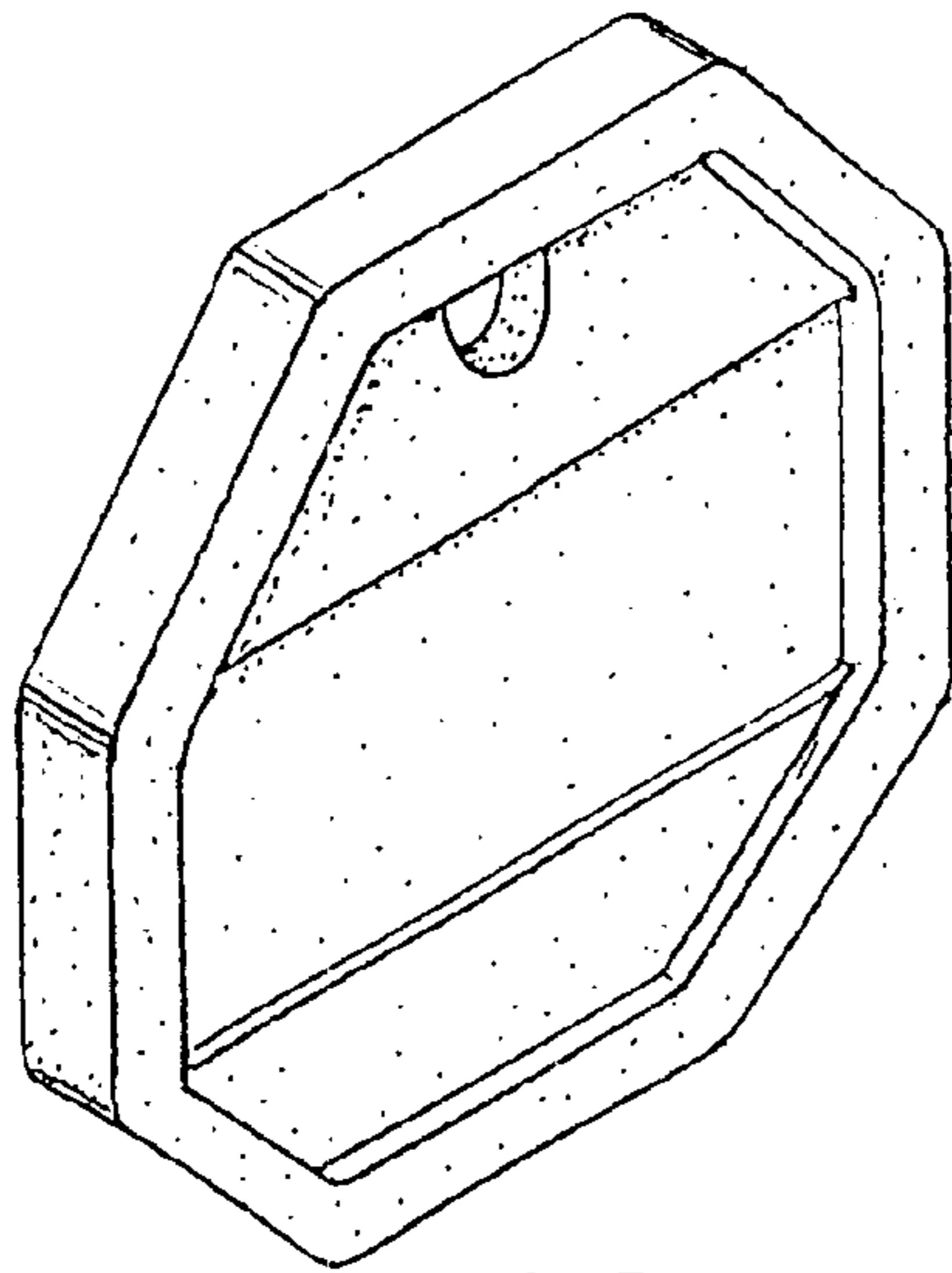


FIG. 1

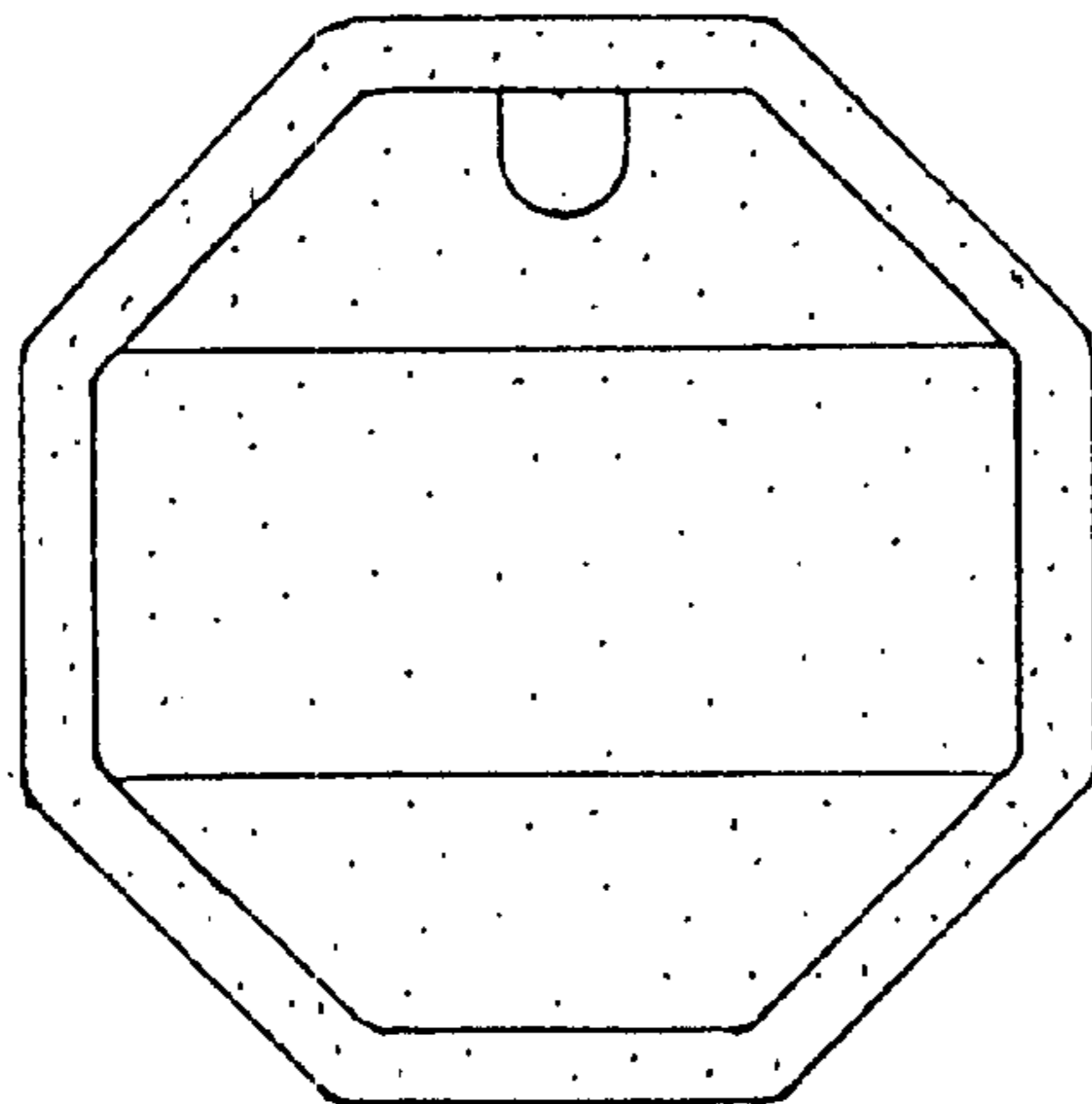


FIG. 2

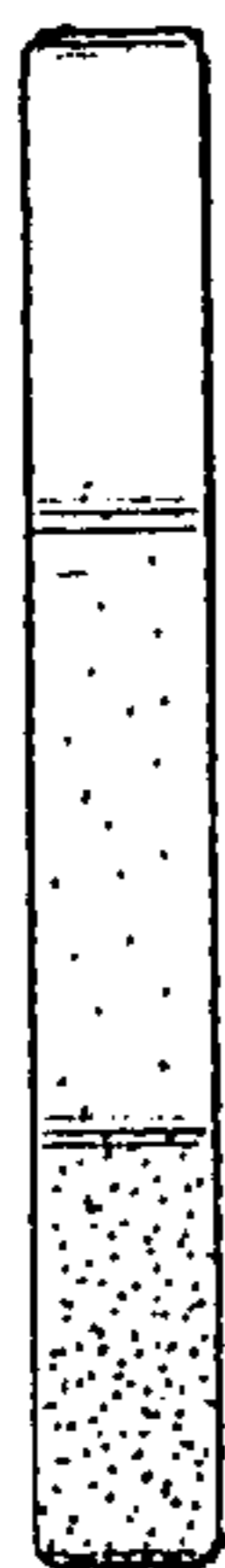


FIG. 3



FIG. 4