



US00D479556S

(12) **United States Design Patent**  
**Hattori et al.**

(10) **Patent No.: US D479,556 S**

(45) **Date of Patent: \*\* Sep. 9, 2003**

(54) **PRINTER WITH COPYING, SCANNING, AND FACSIMILE FUNCTIONS**

(75) Inventors: **Mitsuharu Hattori**, Nagoya (JP);  
**Yasutake Yamaguchi**, Chiryu (JP)

(73) Assignee: **Brother Industries, Ltd.**, Nagoya (JP)

(\*\*) Term: **14 Years**

(21) Appl. No.: **29/172,025**

(22) Filed: **Dec. 5, 2002**

(30) **Foreign Application Priority Data**

Jun. 10, 2002 (JP) ..... 2002-015556

(51) **LOC (7) Cl.** ..... **14-02**

(52) **U.S. Cl.** ..... **D18/50**

(58) **Field of Search** ..... D18/36-39, 50,  
D18/54-55, 4.1, 54.1; D14/462-470, 420-431;  
400/613, 613.1-613.4, 691-694, 690.1-690.4

(56) **References Cited**

**U.S. PATENT DOCUMENTS**

D327,905 S	*	7/1992	Kamijima et al.	.....	D18/36
5,233,443 A	*	8/1993	Sugiyama	.....	D18/50
D339,156 S	*	9/1993	Sato et al.	.....	D18/50
D353,154 S	*	12/1994	Suzuki	.....	D18/50
D369,825 S	*	5/1996	Yatabe et al.	.....	D18/50
D372,935 S	*	8/1996	Quijano et al.	.....	D18/36

D379,826 S	*	6/1997	Portesi	.....	D18/50
D412,701 S	*	8/1999	Cantu	.....	D14/424
D423,472 S	*	4/2000	Adachi	.....	D14/423
6,200,043 B1	*	3/2001	Inoue et al.	.....	400/693
D448,403 S	*	9/2001	Omuro et al.	.....	D18/50
D458,262 S	*	6/2002	Huang et al.	.....	D14/424
D469,769 S	*	2/2003	Sugitani et al.	.....	D14/425

\* cited by examiner

*Primary Examiner*—Cathy Anne MacCormac

(74) *Attorney, Agent, or Firm*—Oliff & Berridge, PLC.

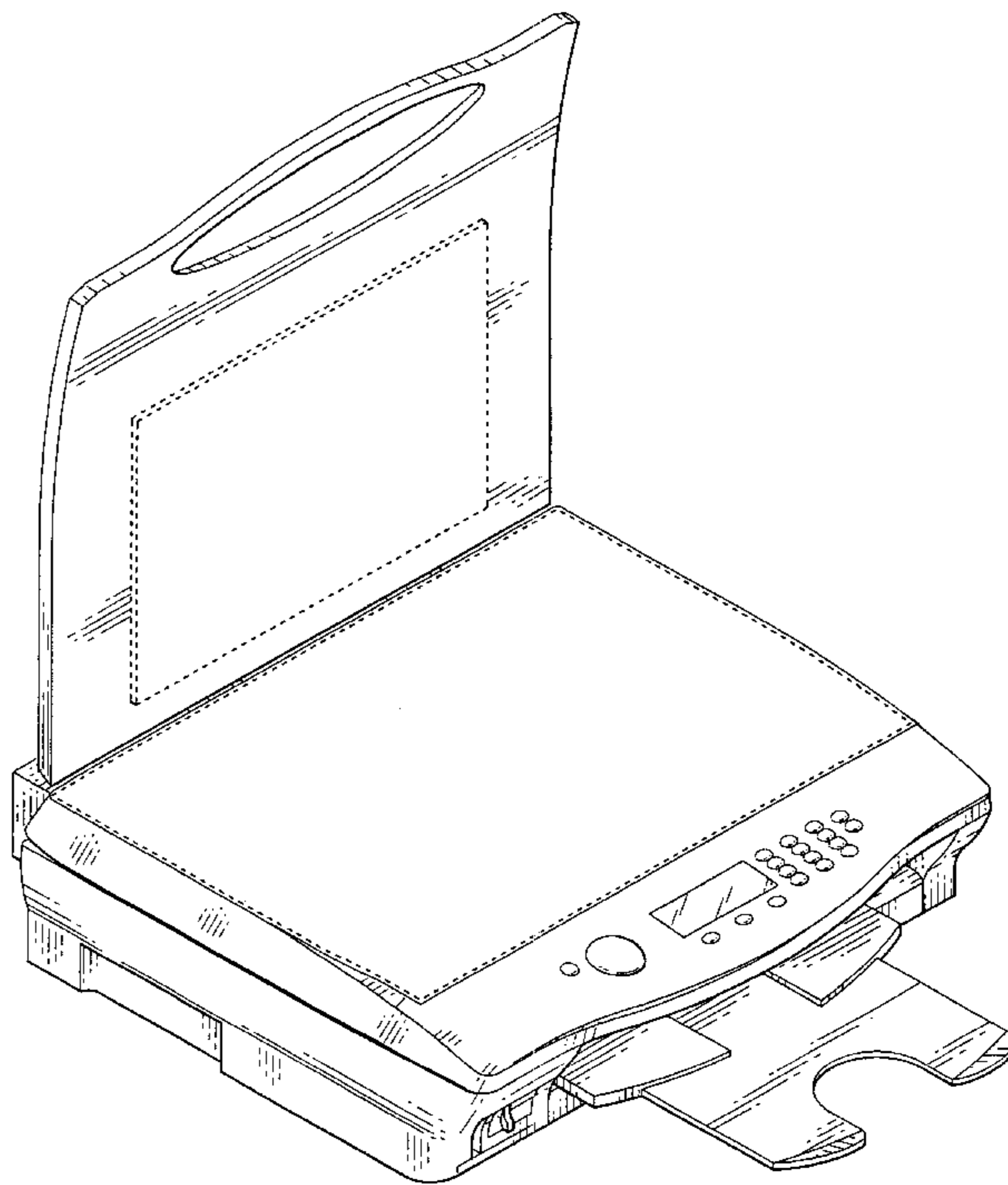
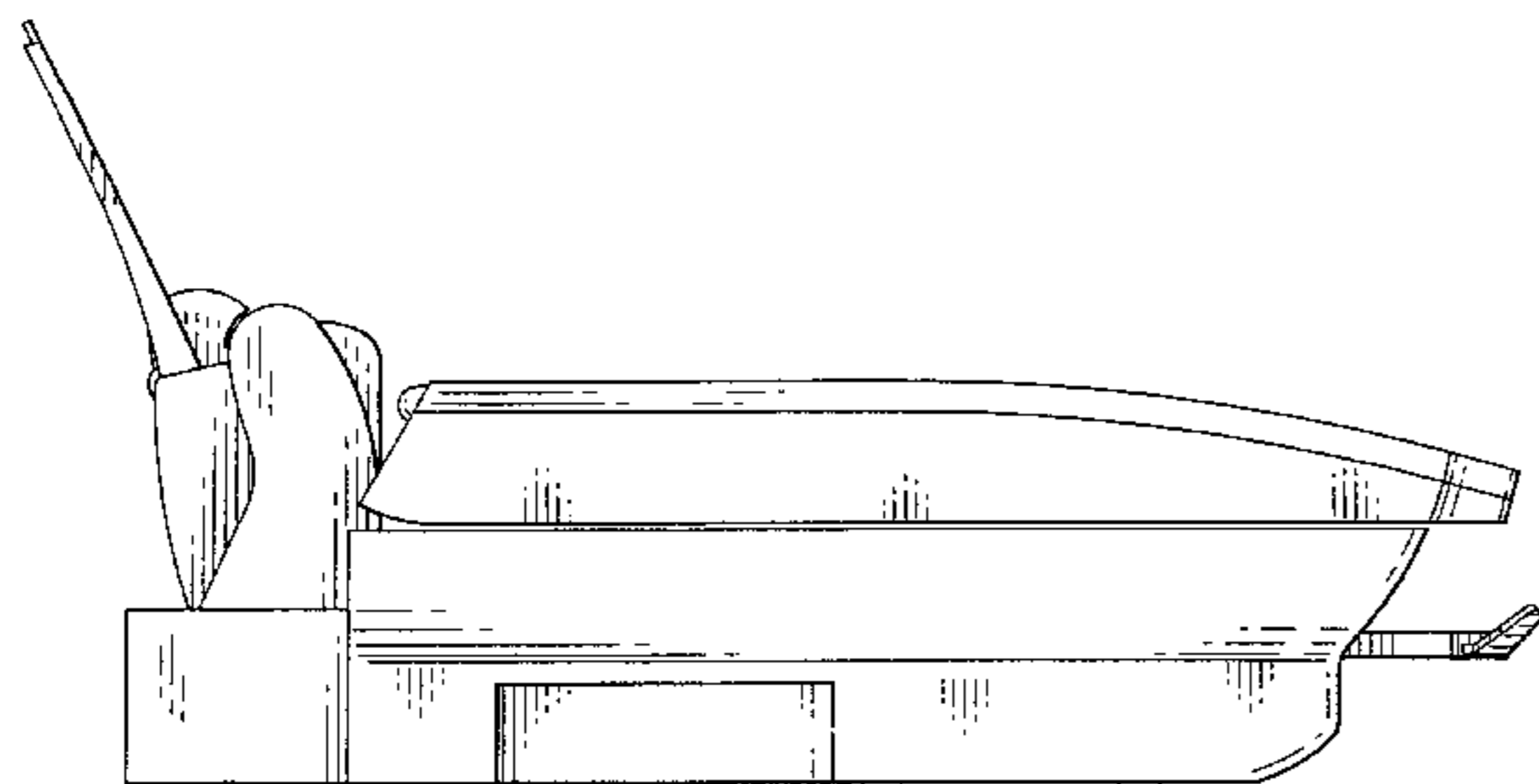
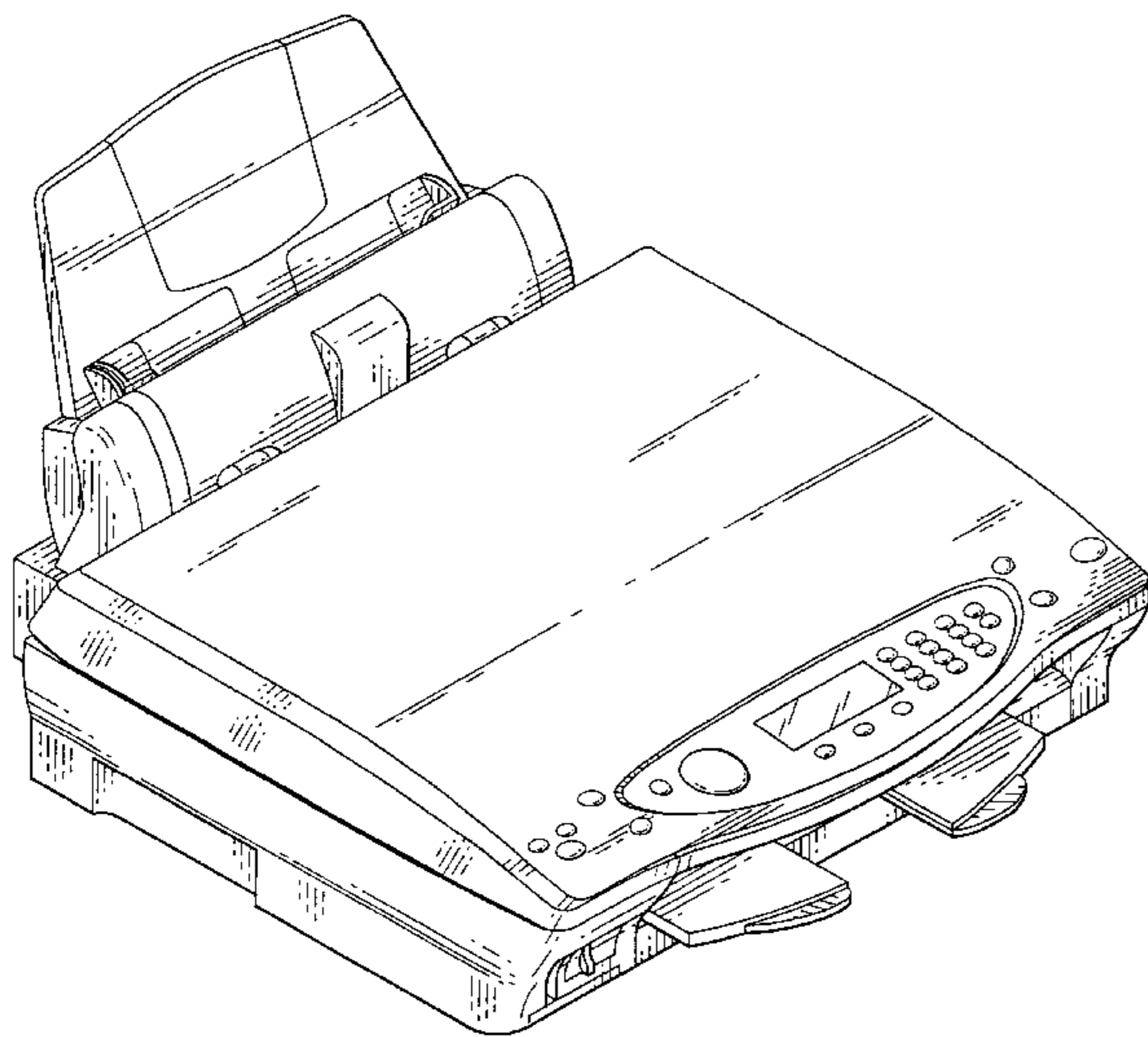
(57) **CLAIM**

The ornamental design for a printer with copying, scanning and facsimile functions, as shown and described.

**DESCRIPTION**

FIG. 1 is a perspective view of a printer with copying, scanning and facsimile functions;  
 FIG. 2 is a top view thereof;  
 FIG. 3 is a front view thereof; and  
 FIG. 4 is a left-side view thereof;  
 FIG. 5 is a right-side view thereof;  
 FIG. 6 is a bottom view thereof;  
 FIG. 7 is a rear view thereof; and,  
 FIG. 8 is a perspective view thereof with a lid of the printer in an open position and a sheet tray extended.  
 The broken line showing defines the bounds of the claimed design, but does not form part of the claimed design.

**1 Claim, 5 Drawing Sheets**



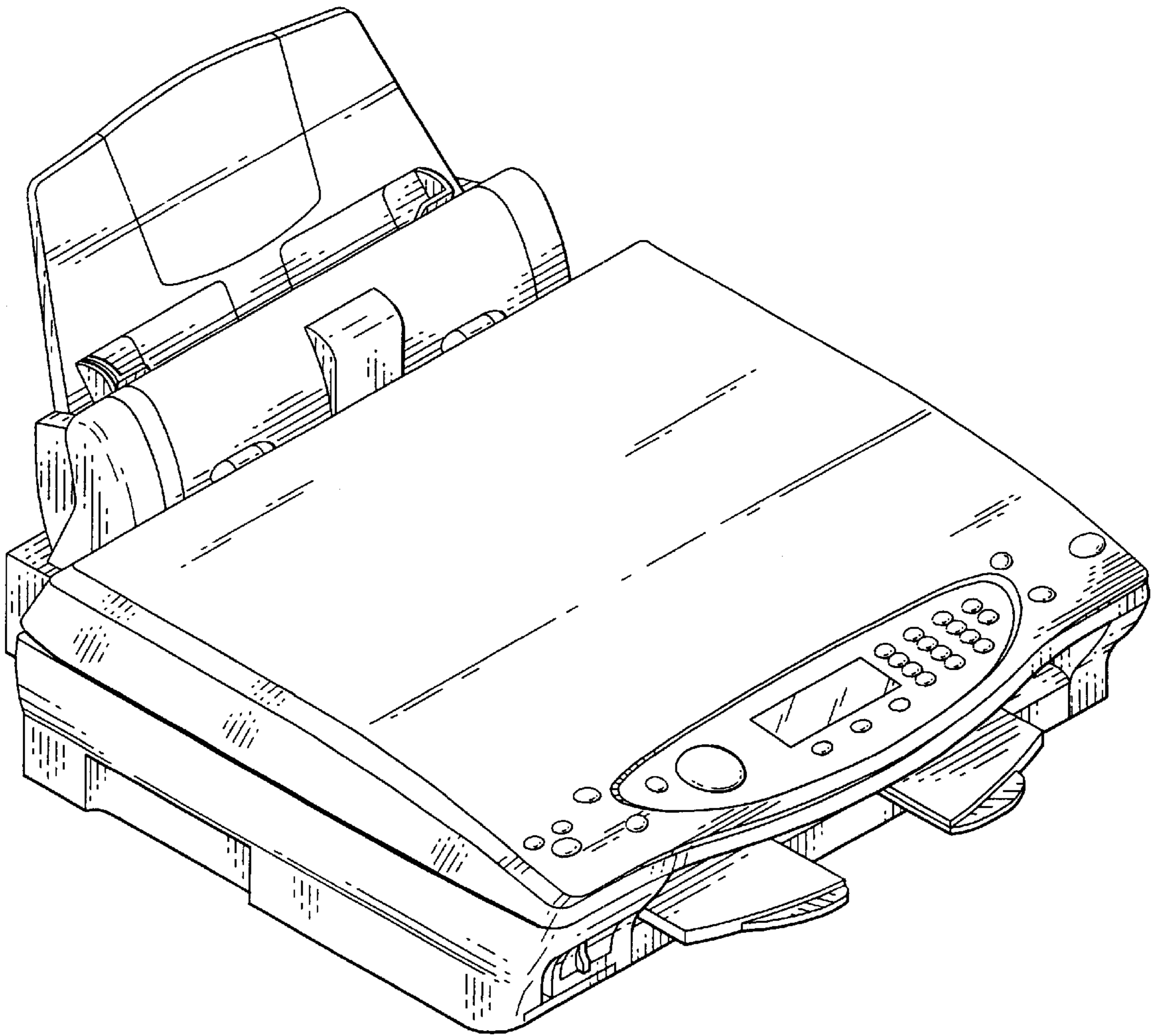


Fig. 1

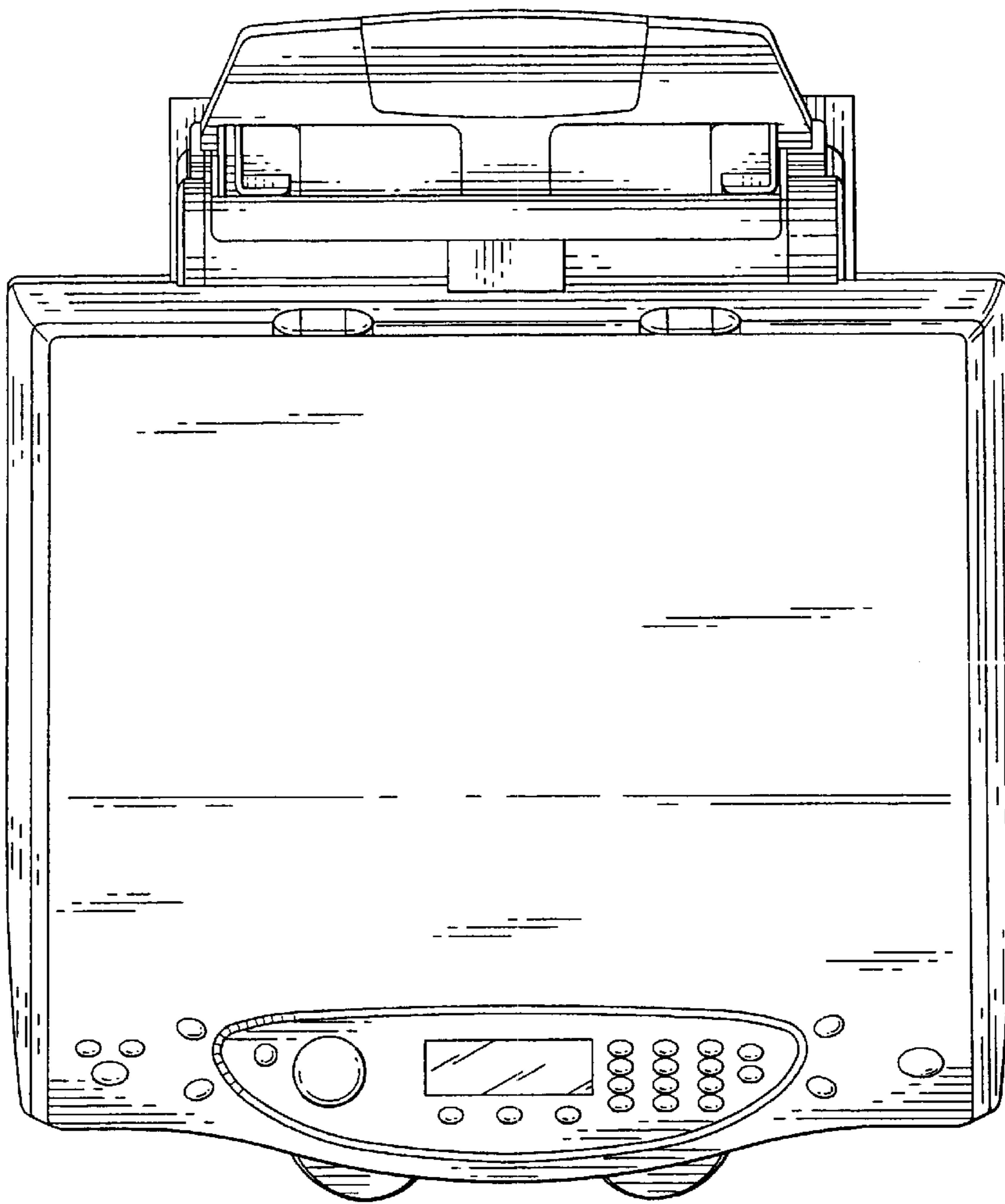


Fig. 2

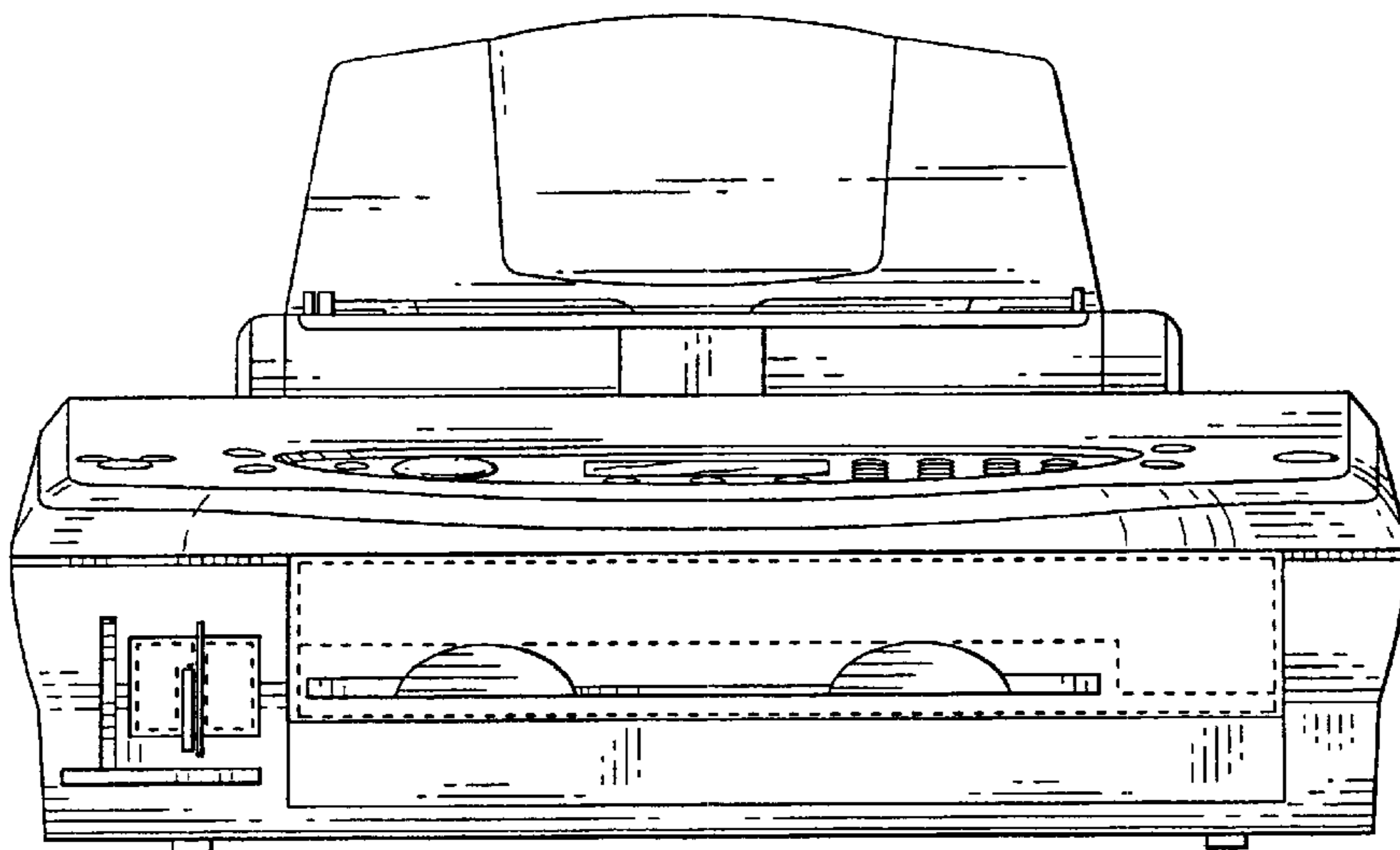


Fig. 3

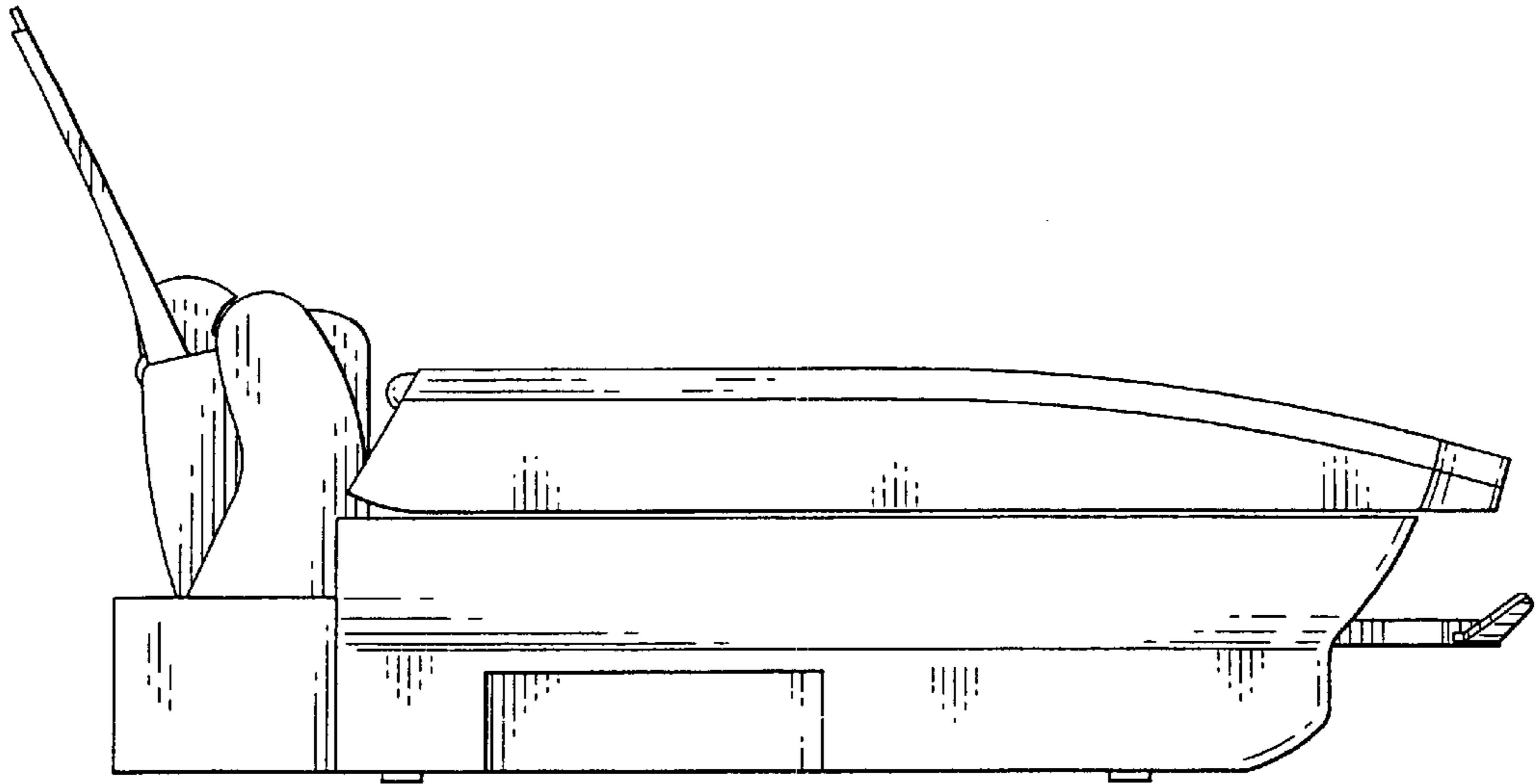


Fig. 4

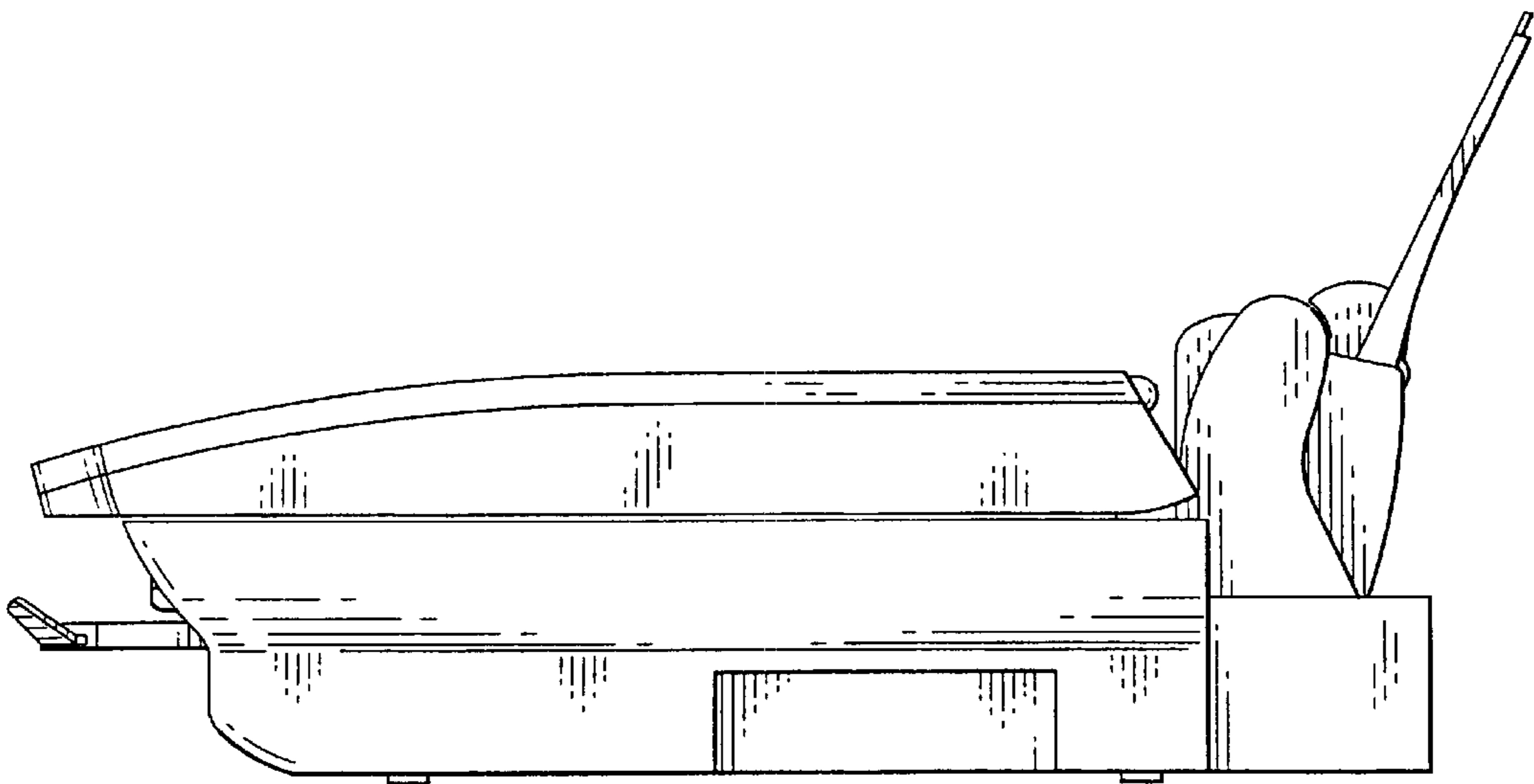


Fig. 5

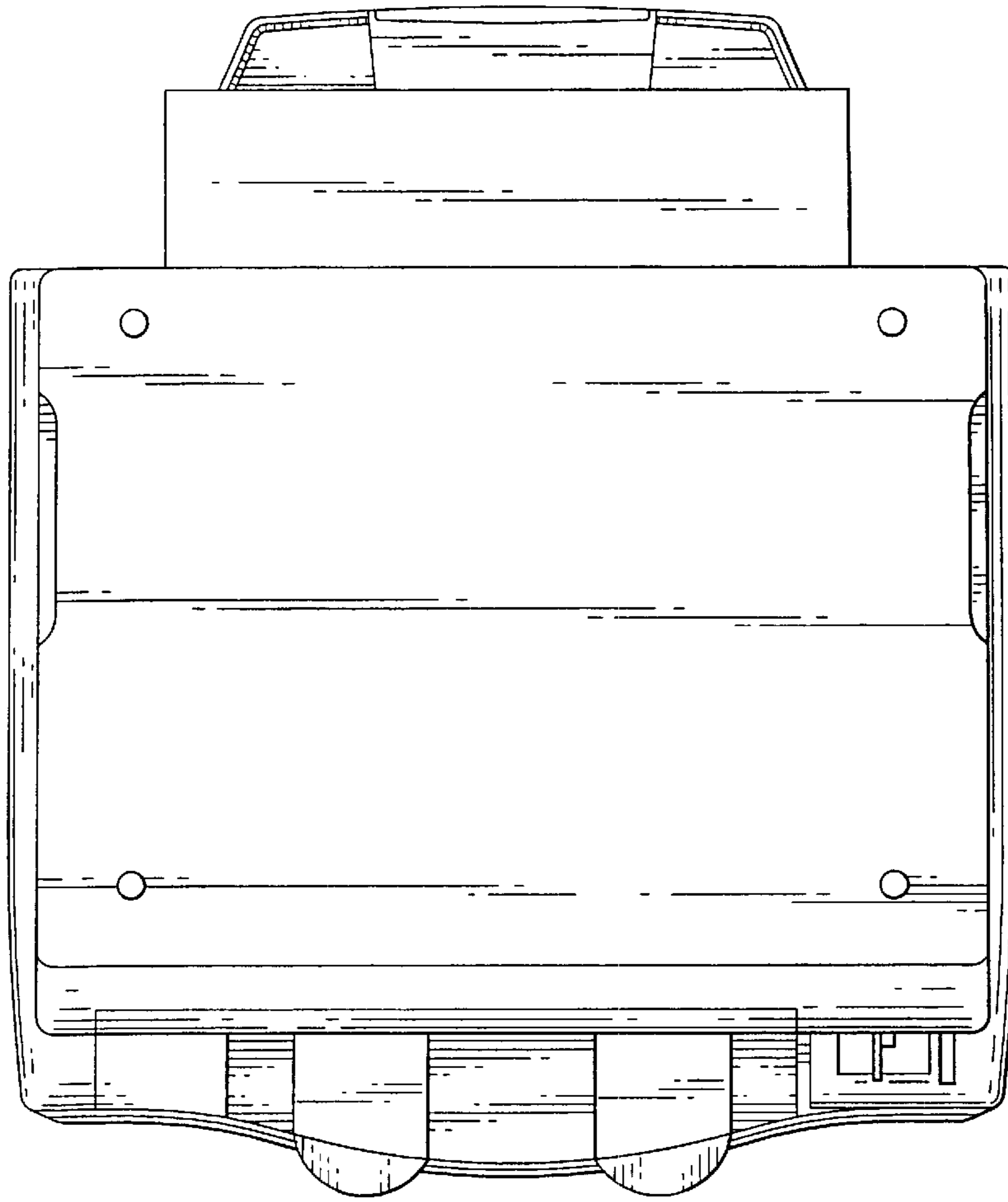


Fig. 6

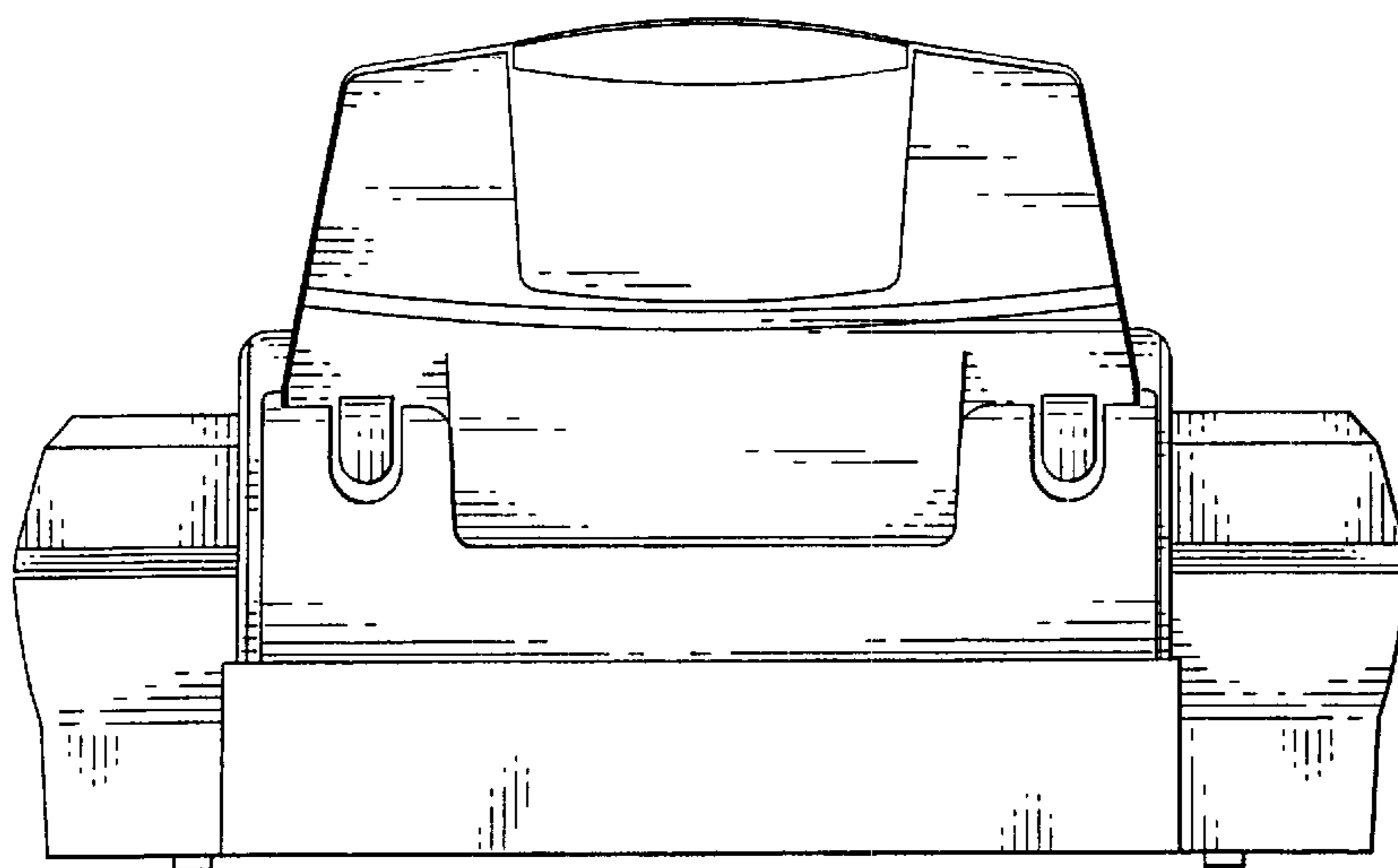


Fig. 7

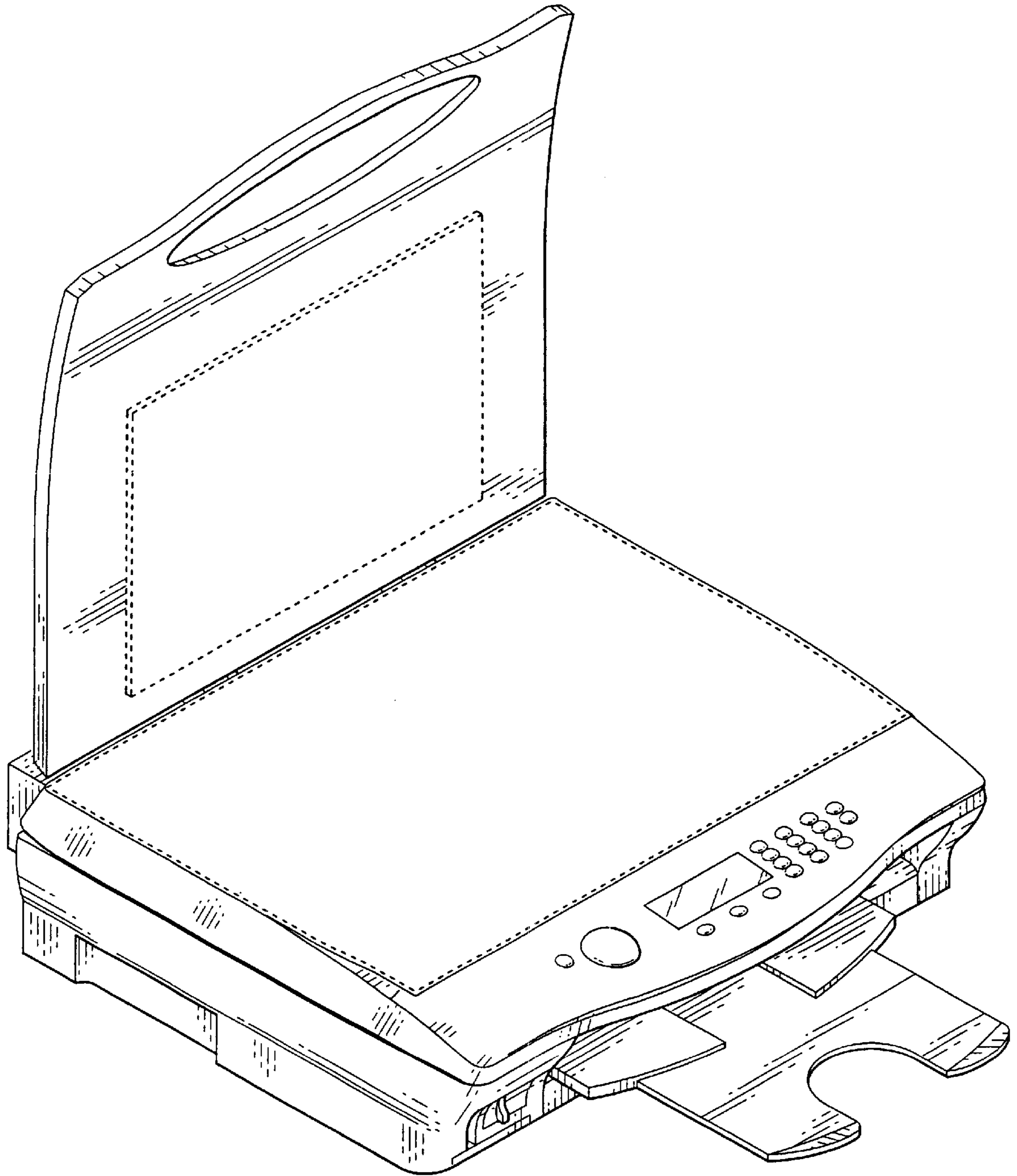


Fig. 8