



US00D479554S

(12) **United States Design Patent**  
**Boron et al.**

(10) **Patent No.: US D479,554 S**

(45) **Date of Patent: \*\* Sep. 9, 2003**

(54) **GUITAR STRAP**

(75) Inventors: **Aaron Boron**, Cleveland, OH (US);  
**Ted J. McCann**, 417 S. Wall St., Unit  
407, Los Angeles, CA (US) 90013

(73) Assignees: **BioPlastics Company, Inc.**, North  
Ridgeville, OH (US); **Ted J. McCann**,  
Los Angeles, CA (US)

(\*\*) Term: **14 Years**

(21) Appl. No.: **29/161,638**

(22) Filed: **May 31, 2002**

(51) **LOC (7) Cl. .... 17-02**

(52) **U.S. Cl. .... D17/20**

(58) **Field of Search** ..... D17/14-15, 20-21,  
D17/99; 84/267, 290-292, 298-299, 327,  
280-281, 453; D2/624, 626, 627, 633;  
2/311, 310

(56) **References Cited**

**U.S. PATENT DOCUMENTS**

3,017,641 A \* 1/1962 Stollman ..... 2/322

D237,760 S \* 11/1975 Woods ..... D29/122  
D249,386 S \* 9/1978 Zacuto ..... D17/20  
4,291,822 A \* 9/1981 Simonds ..... 224/257  
6,250,525 B1 \* 6/2001 Lehoux ..... 224/257  
6,359,203 B1 \* 3/2002 Cronos ..... 84/327  
D462,710 S \* 9/2002 Babcock ..... D17/20

\* cited by examiner

*Primary Examiner*—Ruth McInroy

(74) *Attorney, Agent, or Firm*—Pearne & Gordon LLP

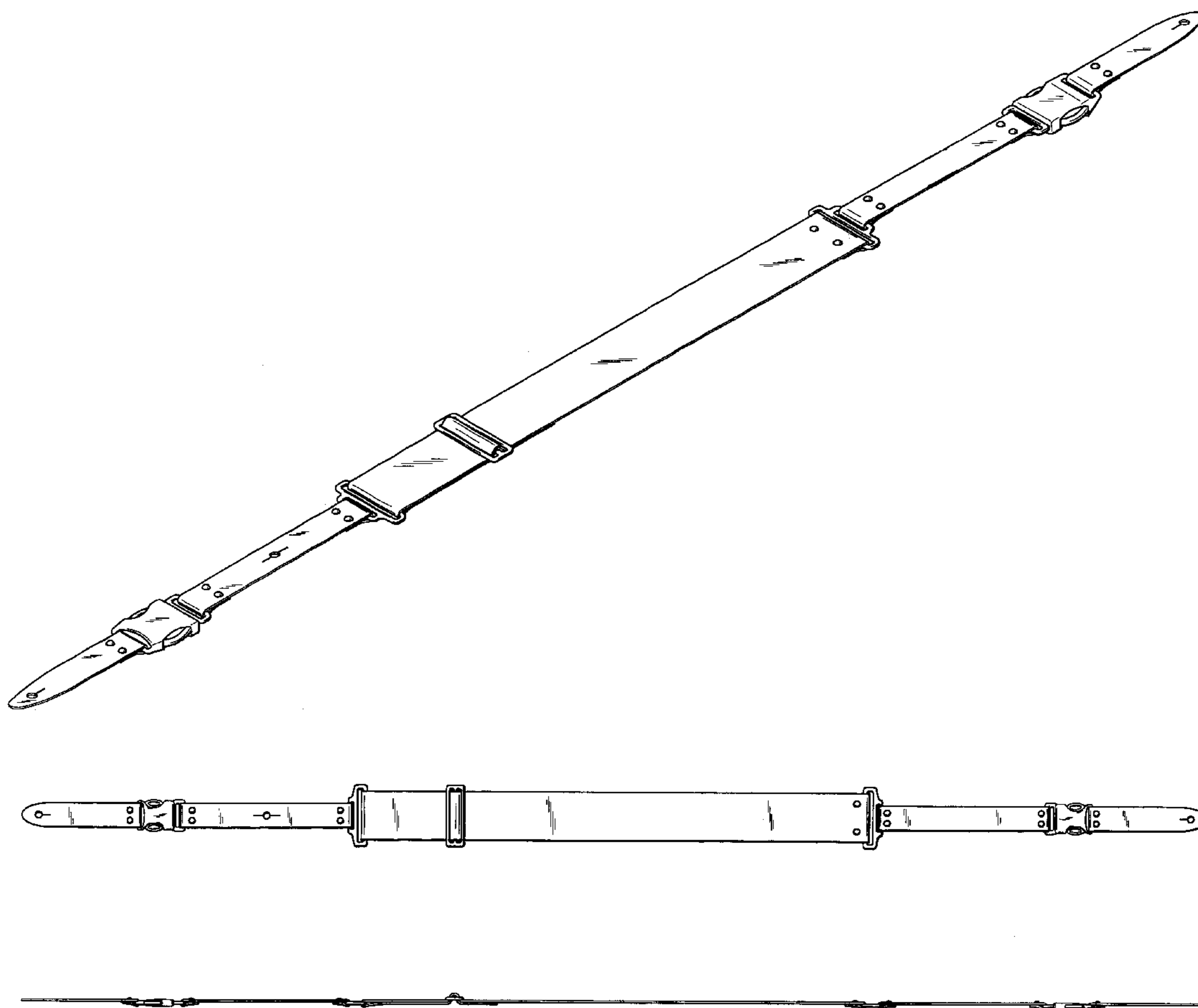
(57) **CLAIM**

The ornamental design for a guitar strap, as shown and described.

**DESCRIPTION**

FIG. 1 is a perspective view of a guitar strap showing our new design;  
FIG. 2 is a top view thereof;  
FIG. 3 is a front view thereof, the back view being a mirror image thereof;  
FIG. 4 is a bottom view thereof; and,  
FIG. 5 is a left side view thereof, the right side being identical thereto.

**1 Claim, 2 Drawing Sheets**



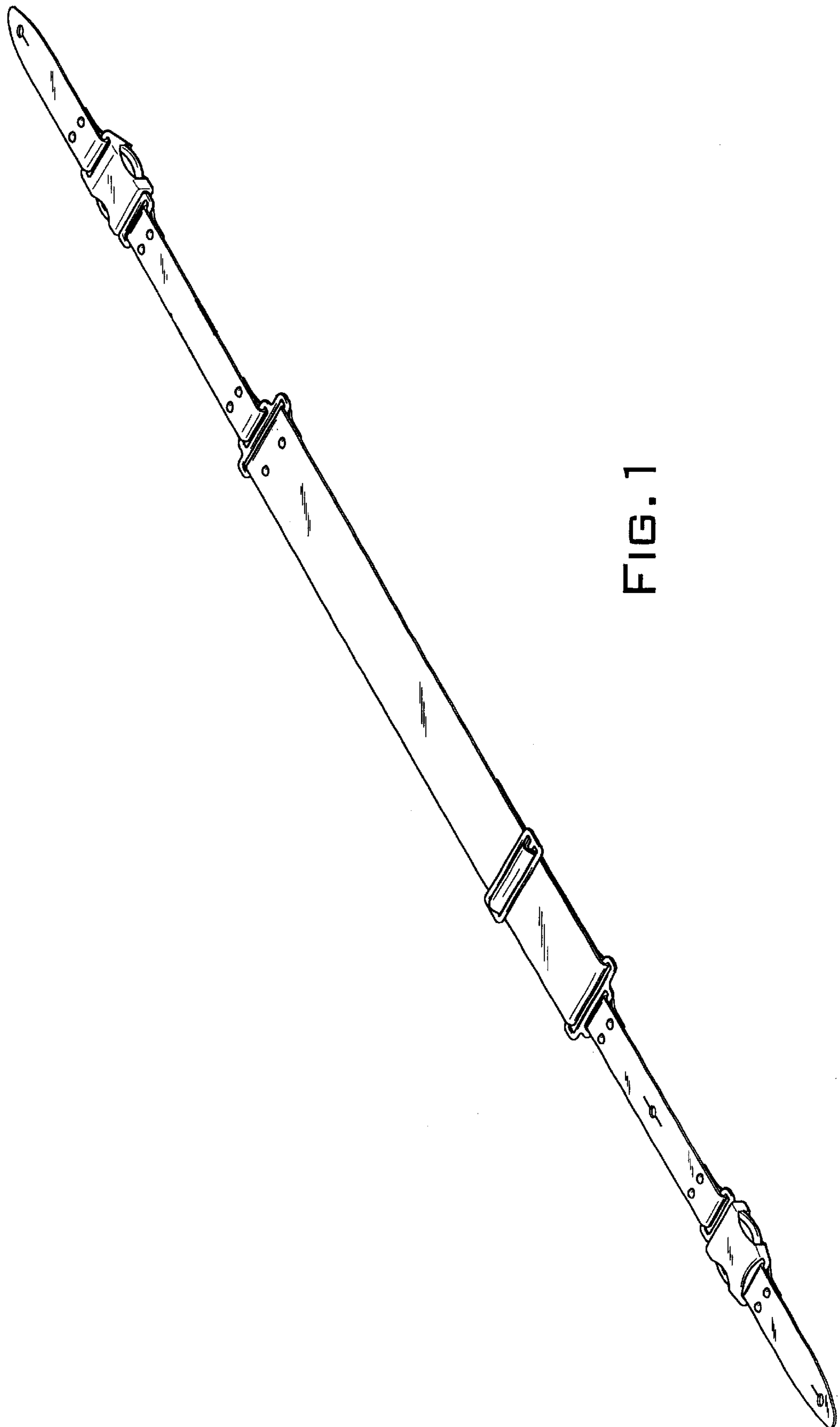


FIG. 1

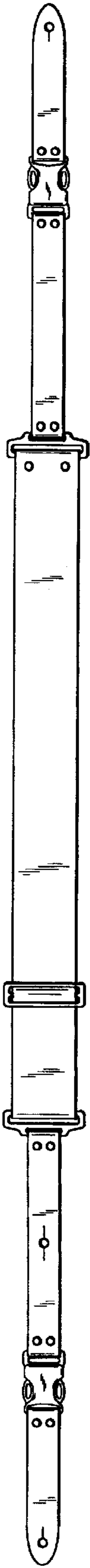


FIG. 2



FIG. 3

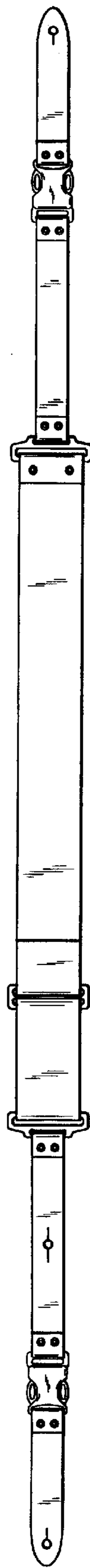


FIG. 4



FIG. 5