



US00D479550S

(12) **United States Design Patent**  
**Shao et al.**

(10) **Patent No.:** **US D479,550 S**

(45) **Date of Patent:** **\*\* Sep. 9, 2003**

(54) **CAMERA**

(75) **Inventors:** **Yi Jian Shao**, HongZhou (CN); **Fei Xue**, HongZhou (CN)

(73) **Assignee:** **Hon Hai Precision Ind. Co., Ltd.**,  
Taipei Hsien (TW)

(\*\*) **Term:** **14 Years**

(21) **Appl. No.:** **29/166,393**

(22) **Filed:** **Aug. 26, 2002**

(30) **Foreign Application Priority Data**

Aug. 13, 2002 (CN) ..... 91304373

(51) **LOC (7) Cl.** ..... **16-01**

(52) **U.S. Cl.** ..... **D16/218; D16/202**

(58) **Field of Search** ..... D16/200, 202,  
D16/203, 204, 205, 208, 213, 218; 348/373-376;  
358/906, 909.1; 396/535-541

(56) **References Cited**

**U.S. PATENT DOCUMENTS**

- 5,130,812 A \* 7/1992 Yamaoka ..... 358/909.1
- 5,146,353 A \* 9/1992 Isoguchi et al. .... 358/909.1
- D380,001 S \* 6/1997 Loo ..... D16/202

- D402,676 S \* 12/1998 Mascarenas, Sr. et al. . D16/202
- D411,848 S \* 7/1999 Maruska et al. .... D16/202
- D439,593 S \* 3/2001 Enderby et al. .... D16/213
- D448,784 S \* 10/2001 Perez et al. .... D16/202

\* cited by examiner

*Primary Examiner*—Adir Aronovich

(74) *Attorney, Agent, or Firm*—Wei Te Chung

(57) **CLAIM**

The ornamental design for a camera, as shown and described.

**DESCRIPTION**

FIG. 1 is a front, top and left side perspective view of a camera showing my new design.

FIG. 2 is a front elevational view thereof.

FIG. 3 is a rear elevational view thereof.

FIG. 4 is a left side elevational view thereof.

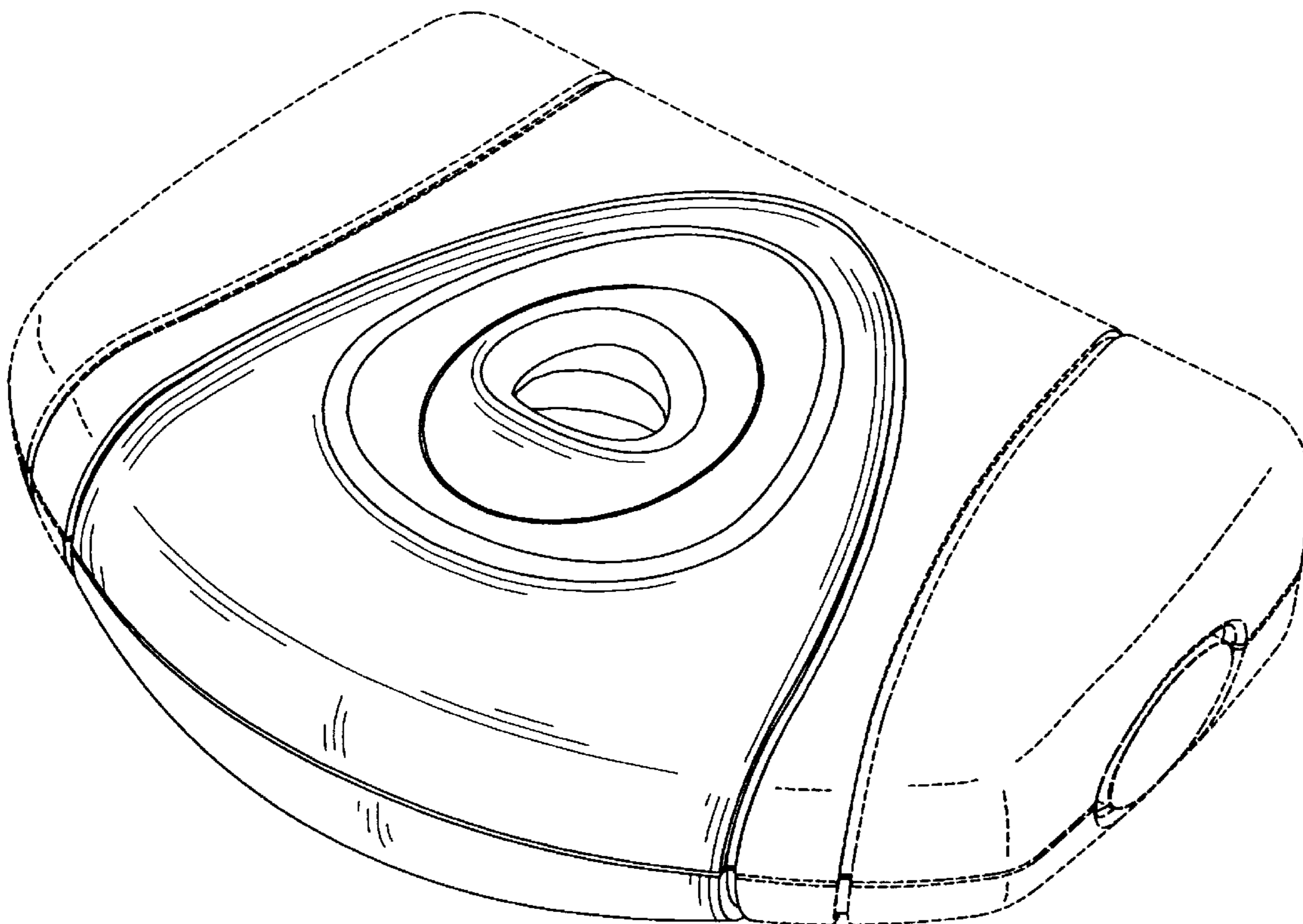
FIG. 5 is a right side elevational view thereof.

FIG. 6 is a top plan view thereof; and,

FIG. 7 is a bottom plan view thereof.

The portions of the article in broken lines throughout the views are shown for illustrative purposes only and form no part of the claimed design.

**1 Claim, 7 Drawing Sheets**



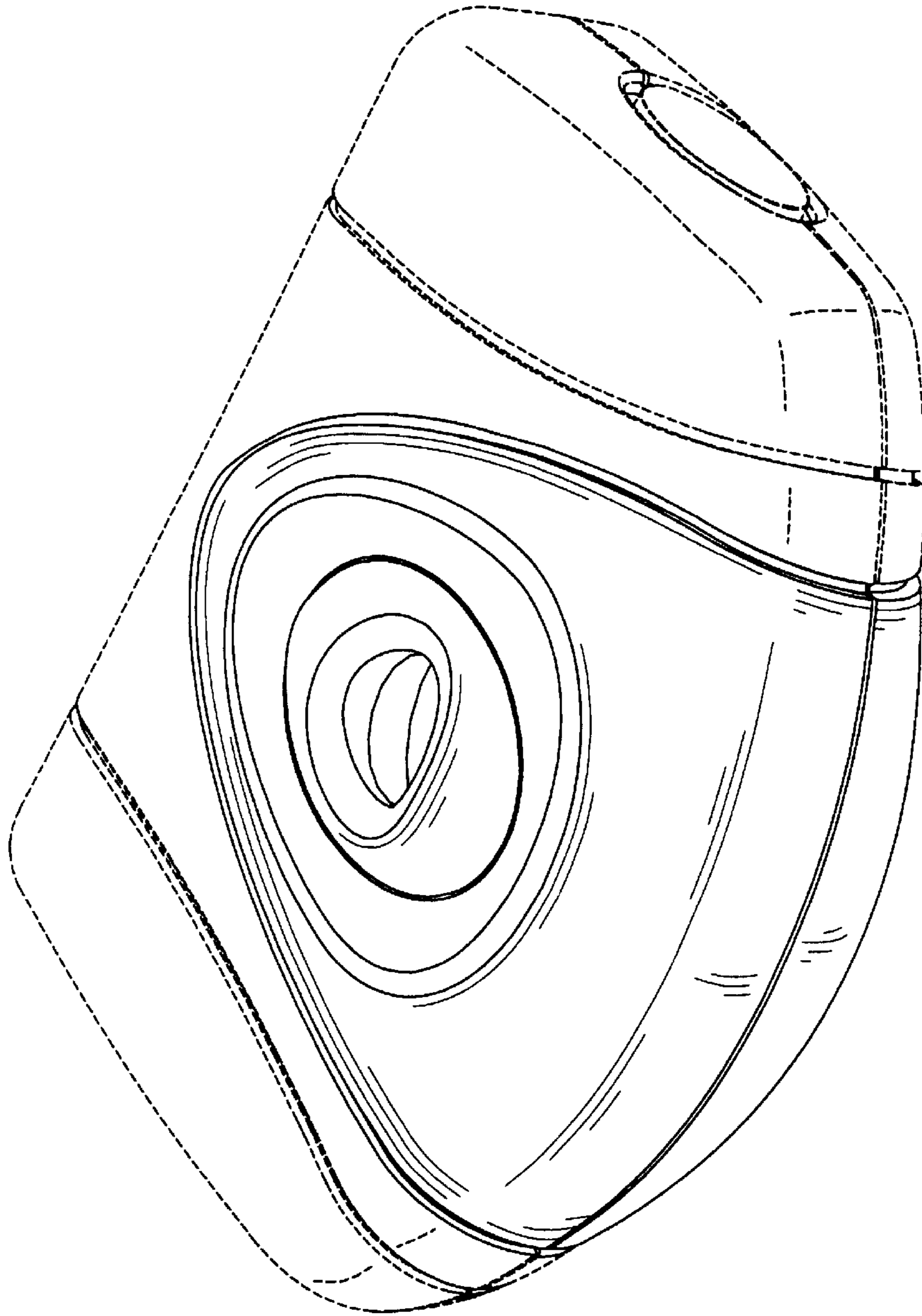


FIG. 1

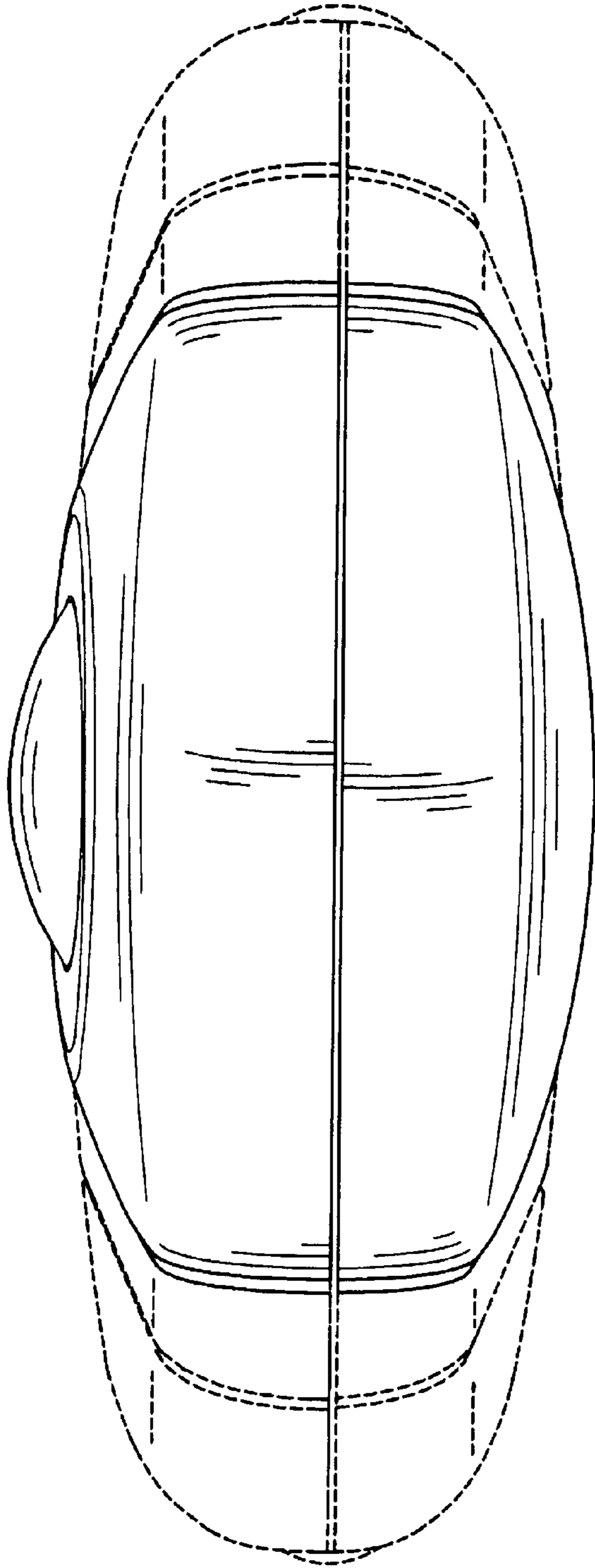


FIG. 2

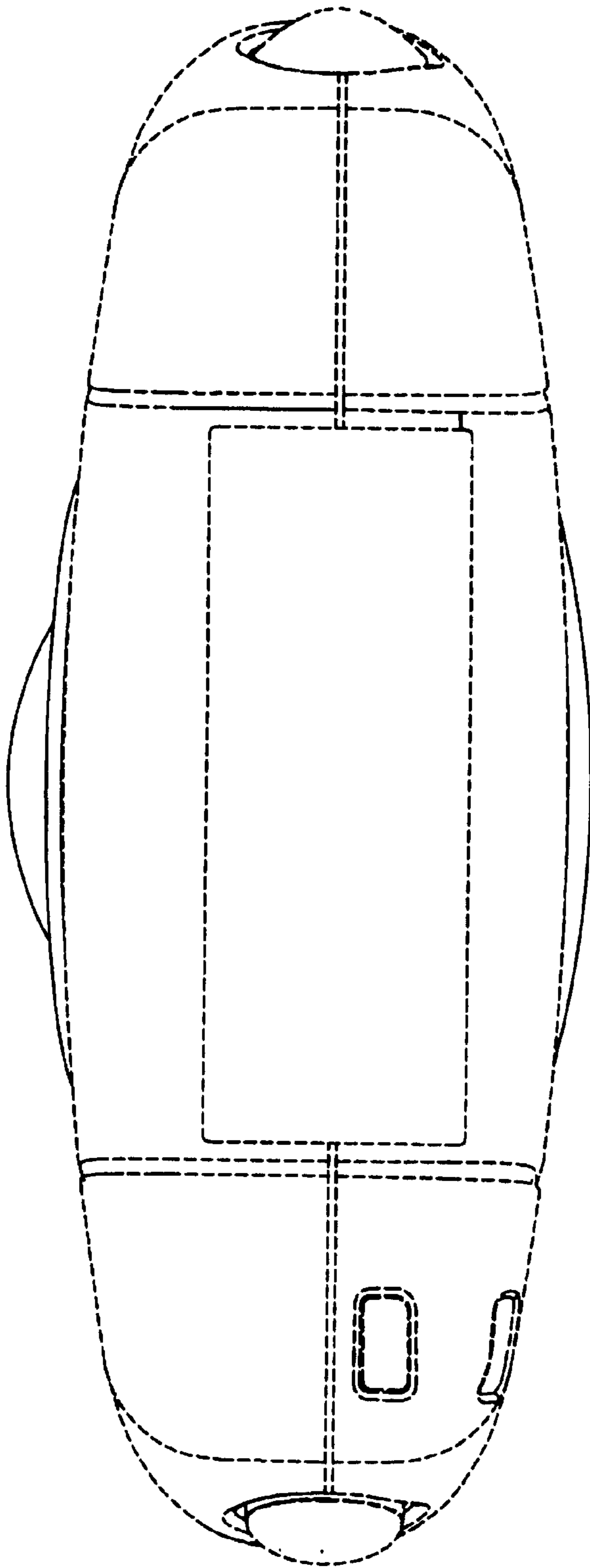


FIG. 3

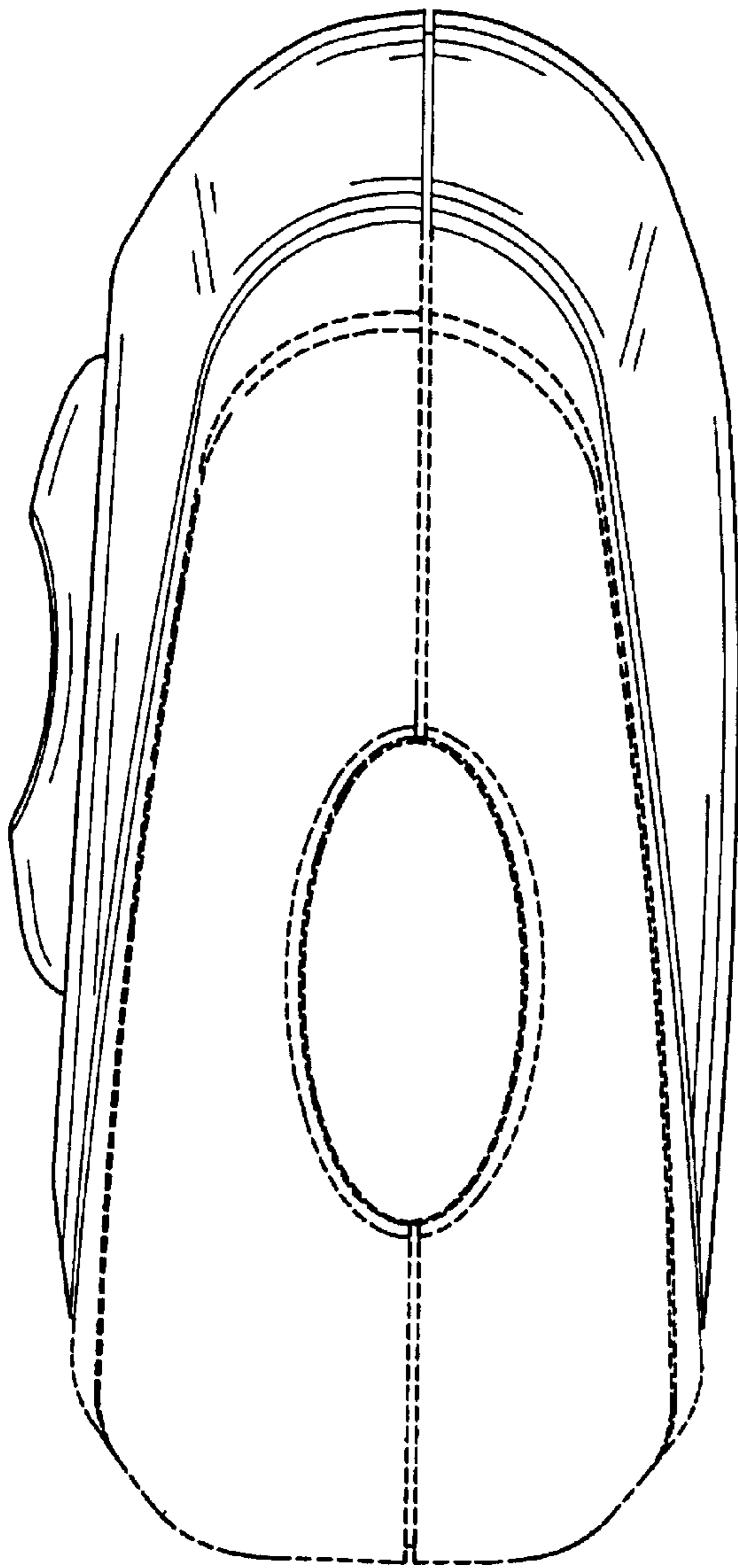


FIG. 4

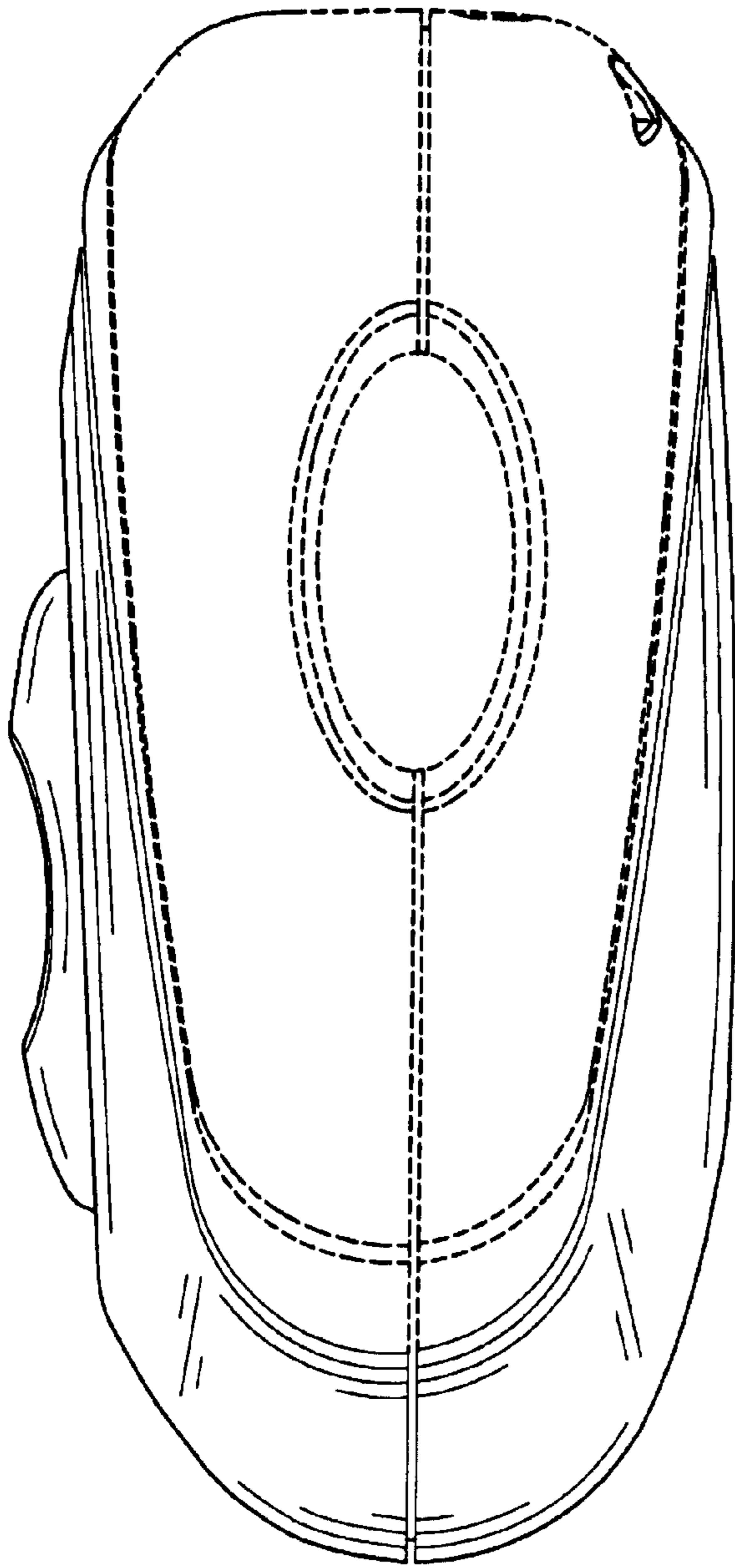


FIG. 5

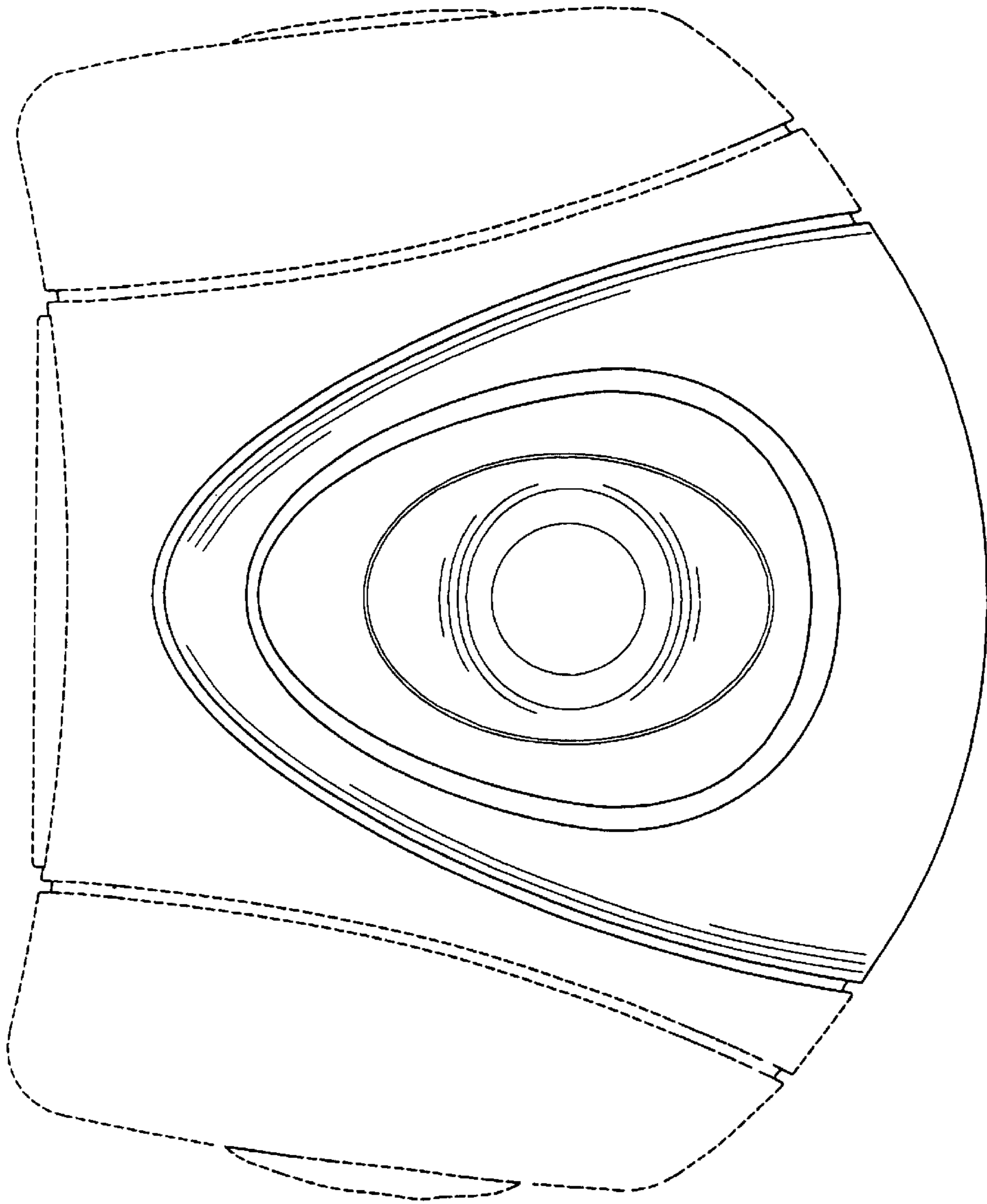


FIG. 6

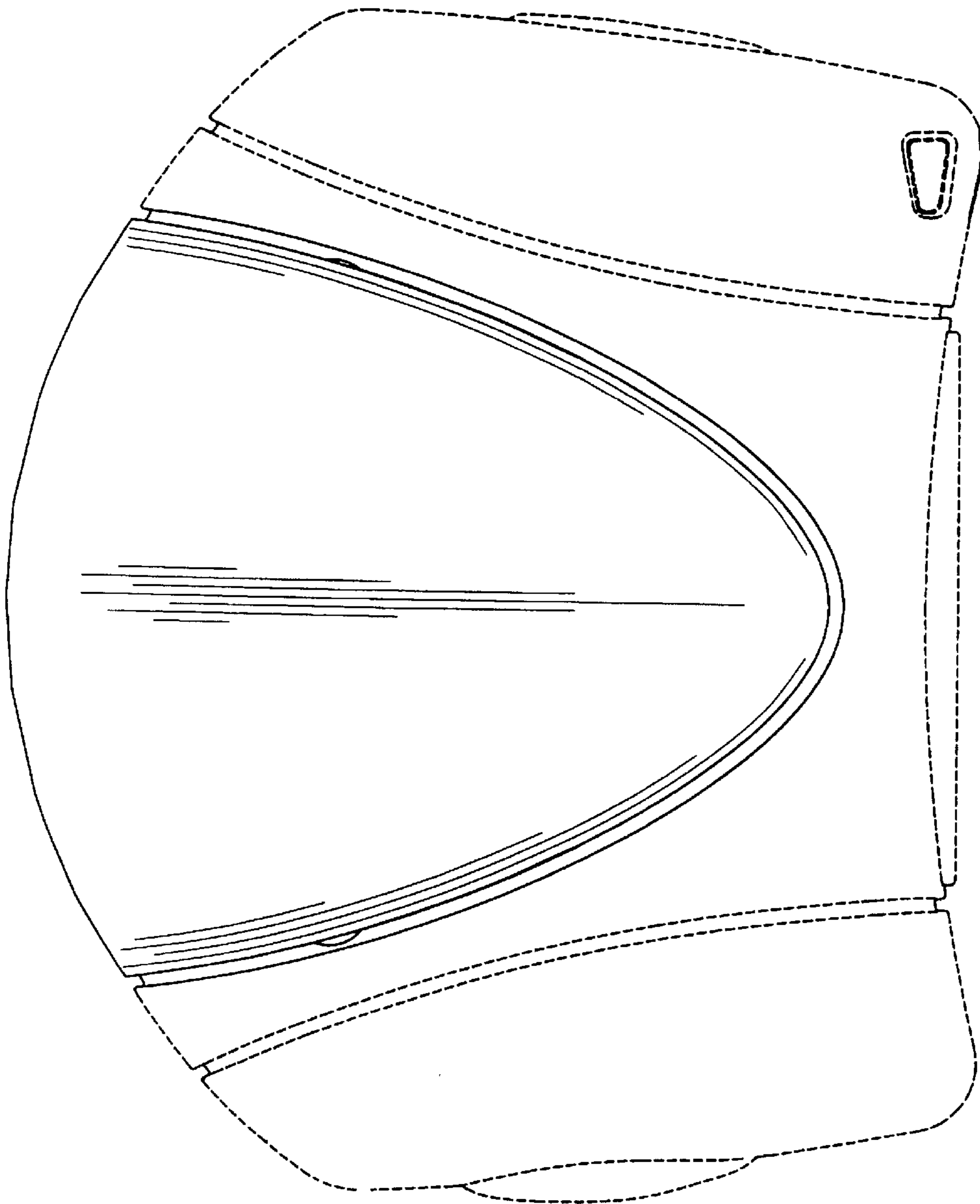


FIG. 7