



US00D479549S

(12) **United States Design Patent**
Ng

(10) **Patent No.:** **US D479,549 S**

(45) **Date of Patent:** **** Sep. 9, 2003**

(54) **CAMERA**

(75) **Inventor:** **Wai Man Ng**, Kowloon Bay (CN)

(73) **Assignee:** **Concord Camera Corp.**, Hollywood, FL (US)

(**) **Term:** **14 Years**

(21) **Appl. No.:** **29/156,056**

(22) **Filed:** **Feb. 22, 2002**

(51) **LOC (7) Cl.** **16-01**

(52) **U.S. Cl.** **D16/209**

(58) **Field of Search** **D16/200-206, D16/208, 209, 218; 396/6, 535, 537-541**

(56) **References Cited**

U.S. PATENT DOCUMENTS

D336,913 S	*	6/1993	Katayama	D16/209
D339,366 S	*	9/1993	Shirai	D16/209
D359,746 S	*	6/1995	Katayama	D16/209
5,640,641 A	*	6/1997	Balling	396/535
5,862,414 A	*	1/1999	Zawodny et al.	396/6

6,314,239 B1 * 11/2001 Hata 396/6

* cited by examiner

Primary Examiner—Adir Aronovich

(74) *Attorney, Agent, or Firm*—Scott L. Lampert; Kerry P Sisselman

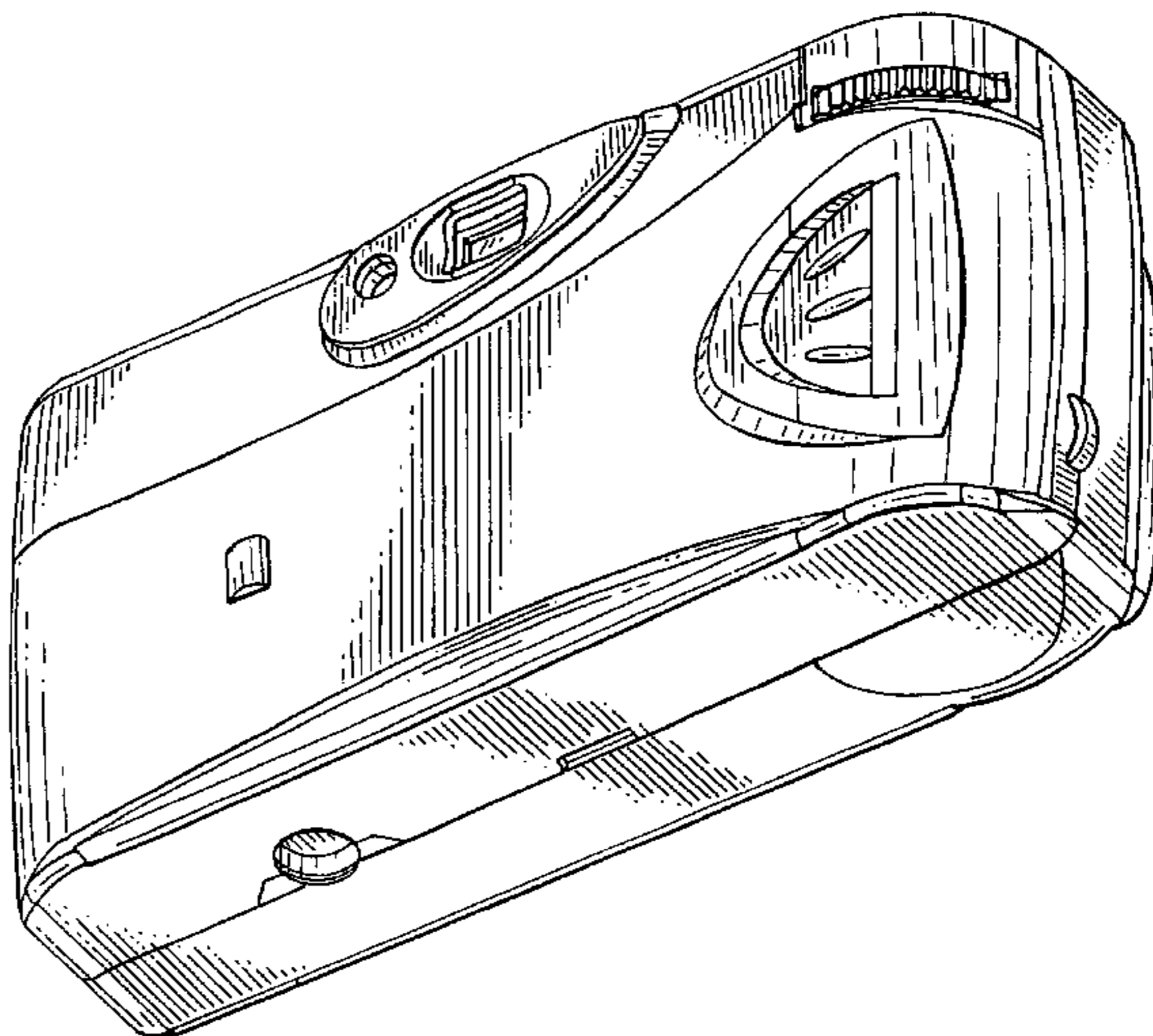
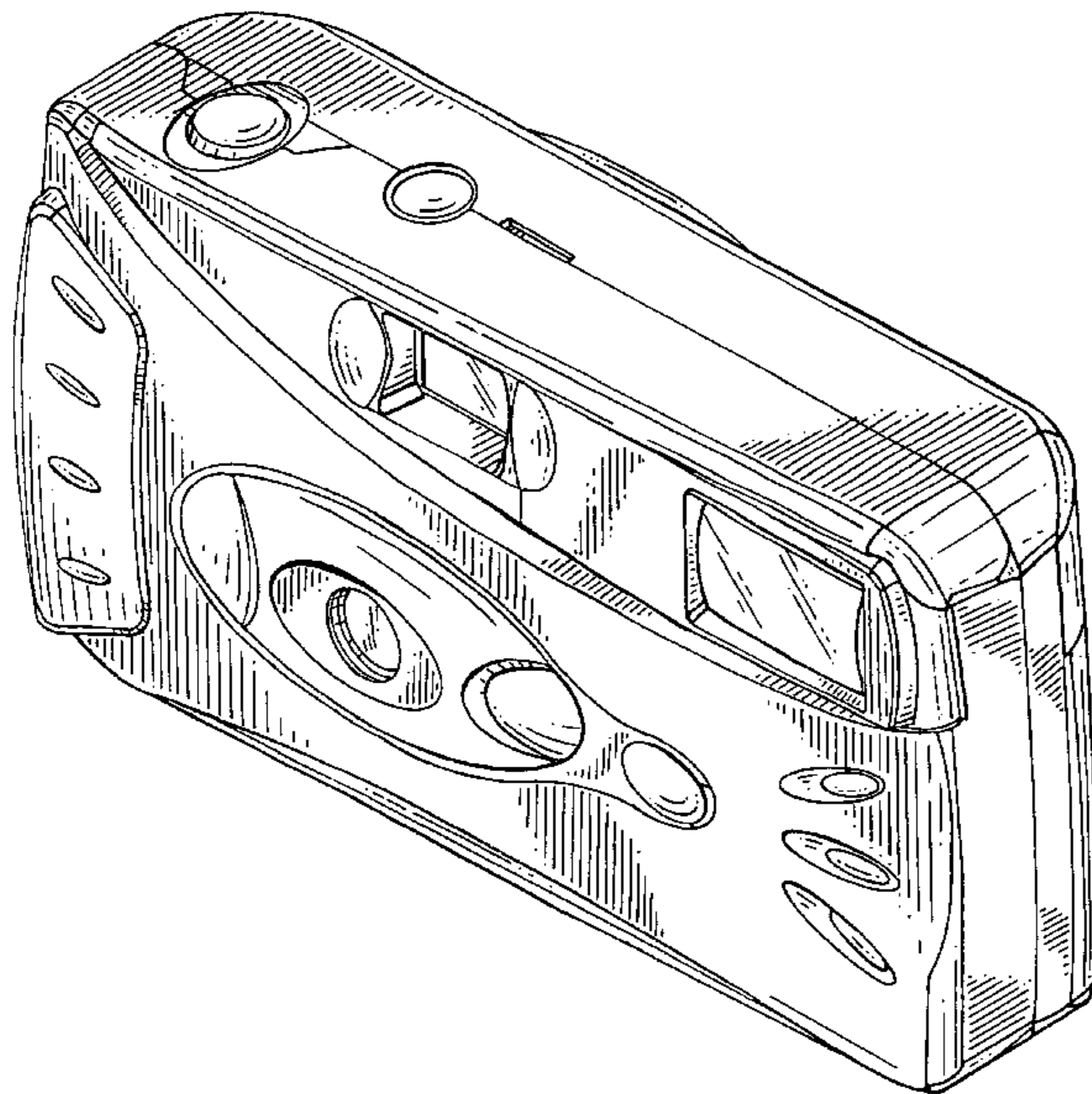
(57) **CLAIM**

The ornamental design for a camera, as shown and described.

DESCRIPTION

FIG. 1 is a top, front perspective view of a camera showing my new design.
 FIG. 2 is a bottom, rear perspective view thereof.
 FIG. 3 is a front elevational view thereof.
 FIG. 4 is a rear elevational view thereof.
 FIG. 5 is a left side elevational view thereof.
 FIG. 6 is a right side elevational view thereof.
 FIG. 7 is a bottom plan view thereof; and,
 FIG. 8 is a top plan view thereof.

1 Claim, 6 Drawing Sheets



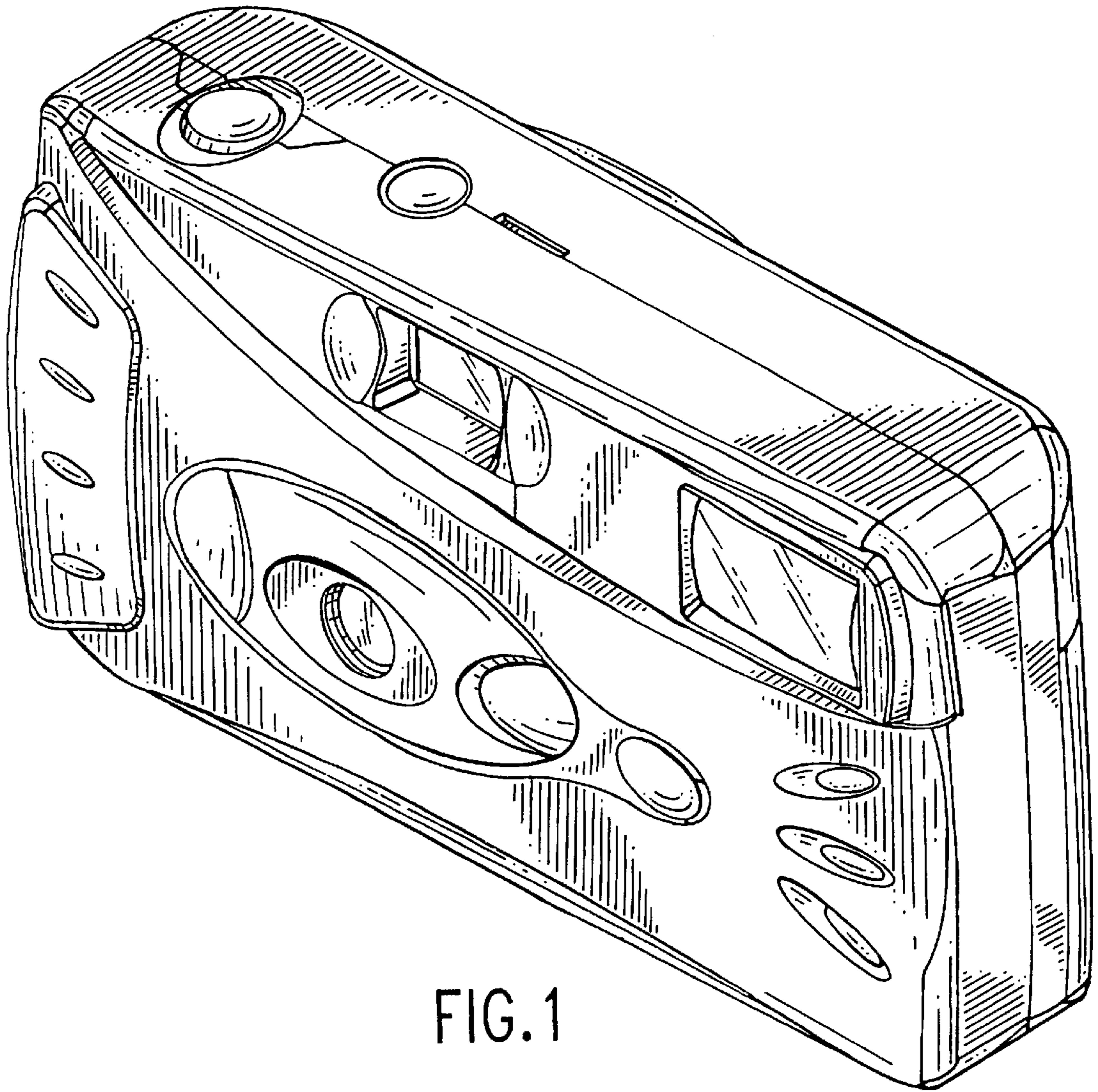


FIG. 1

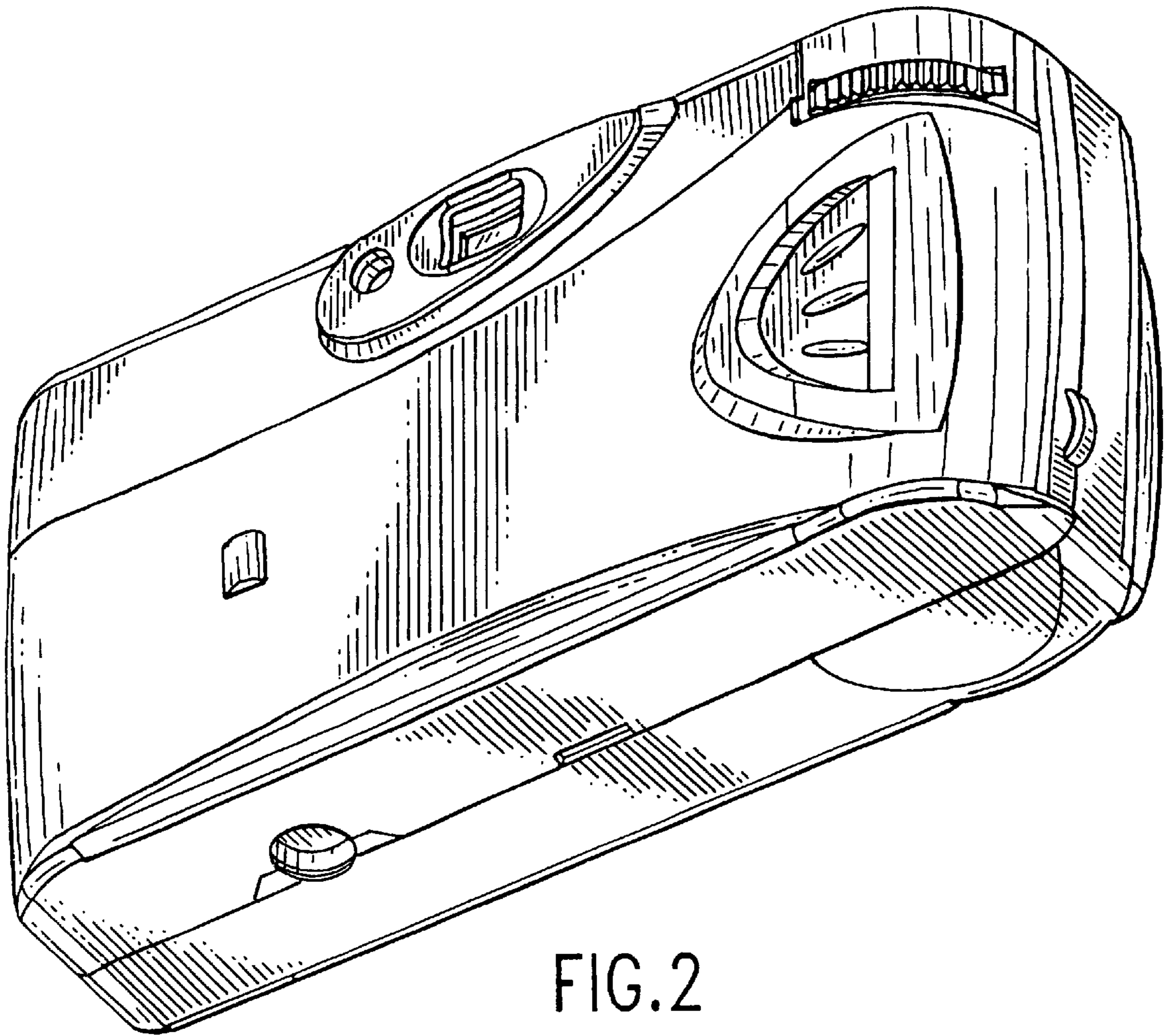


FIG. 2

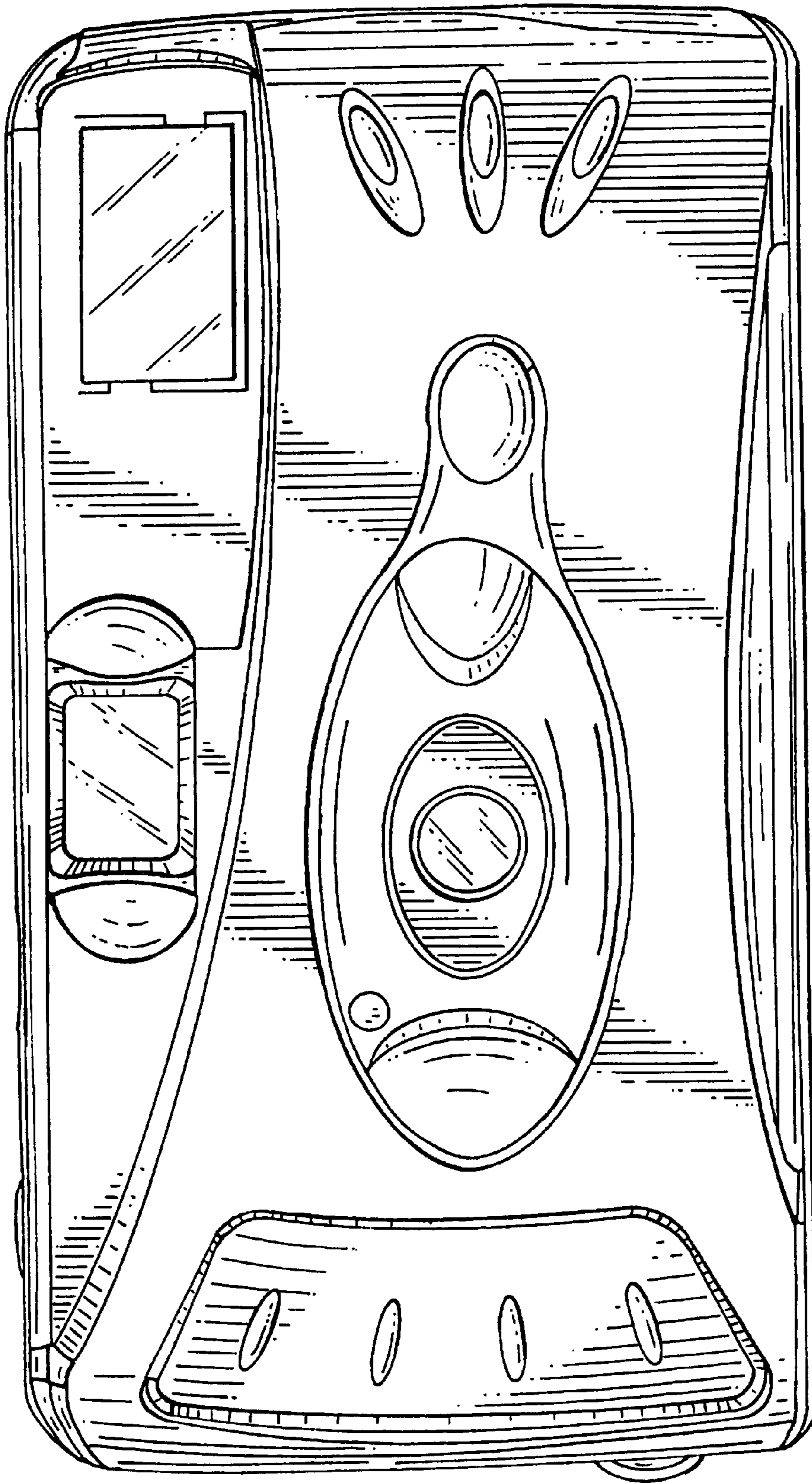


FIG. 3

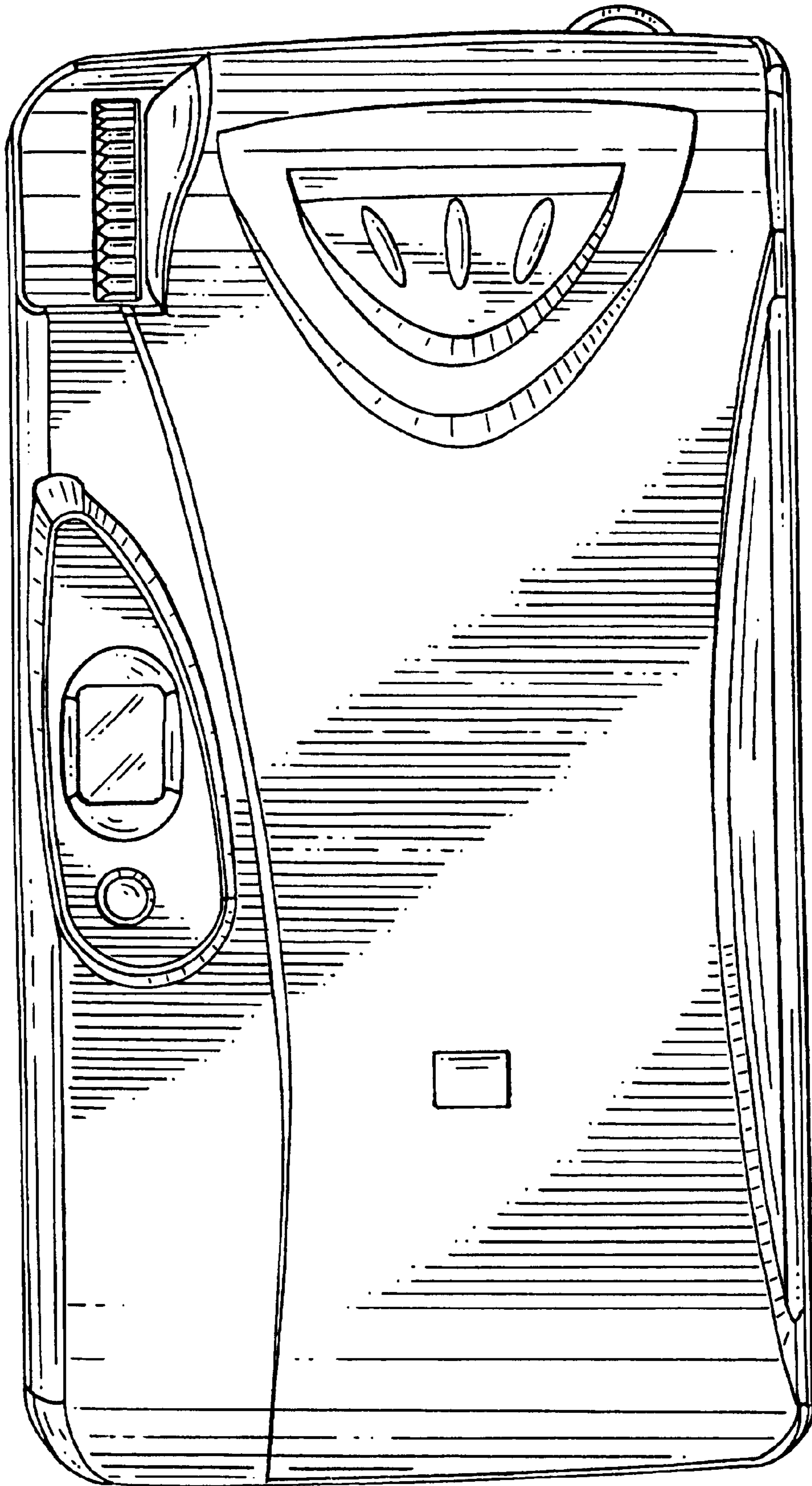


FIG. 4

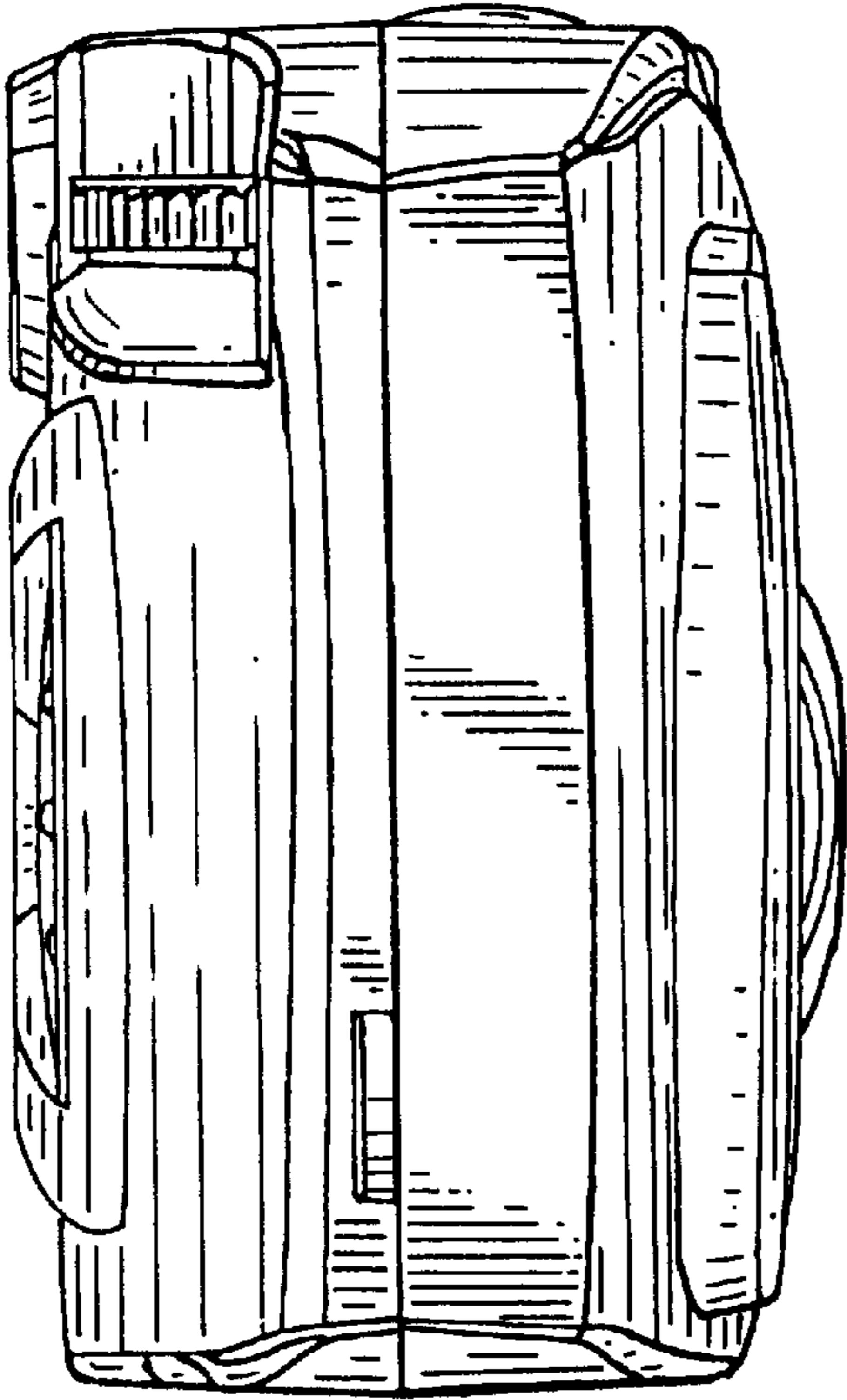


FIG. 5

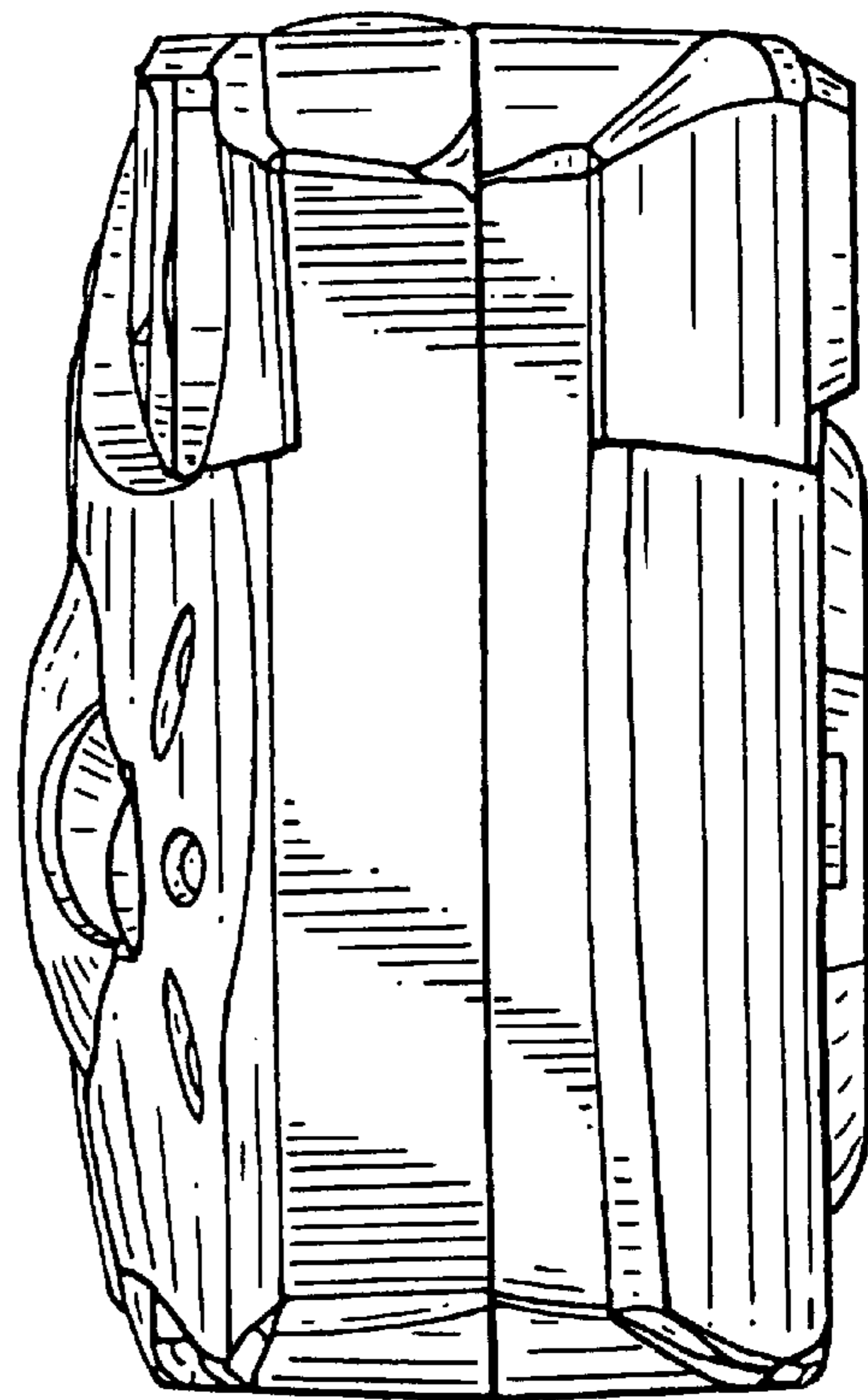


FIG. 6

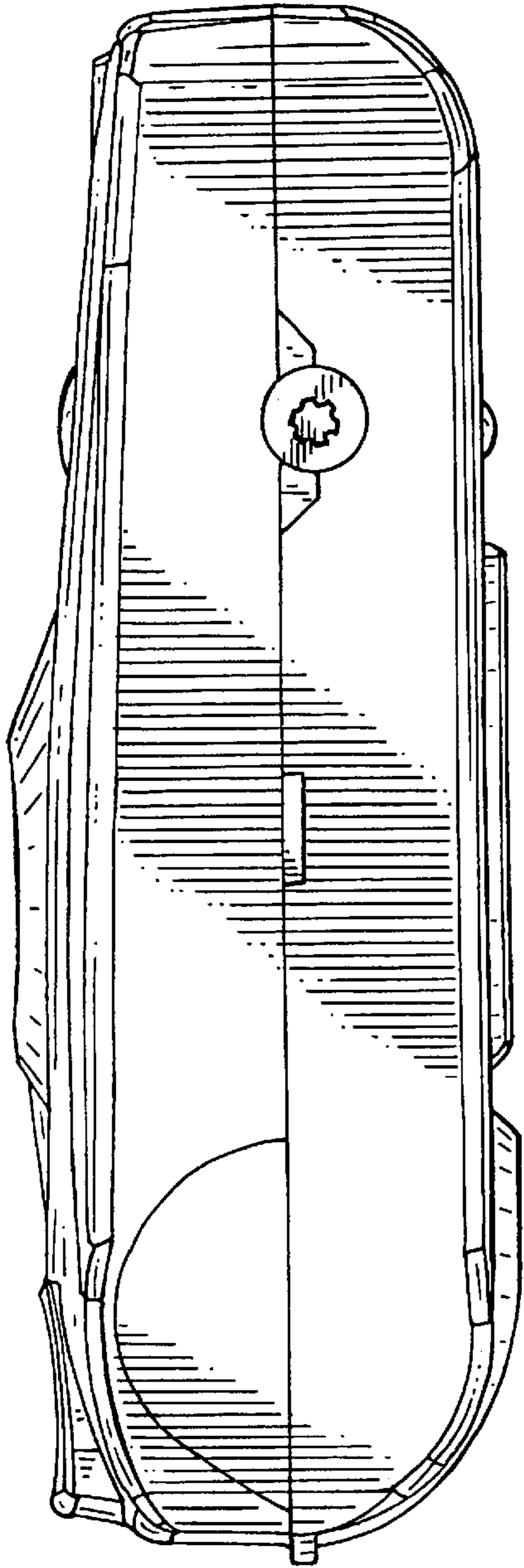


FIG. 7

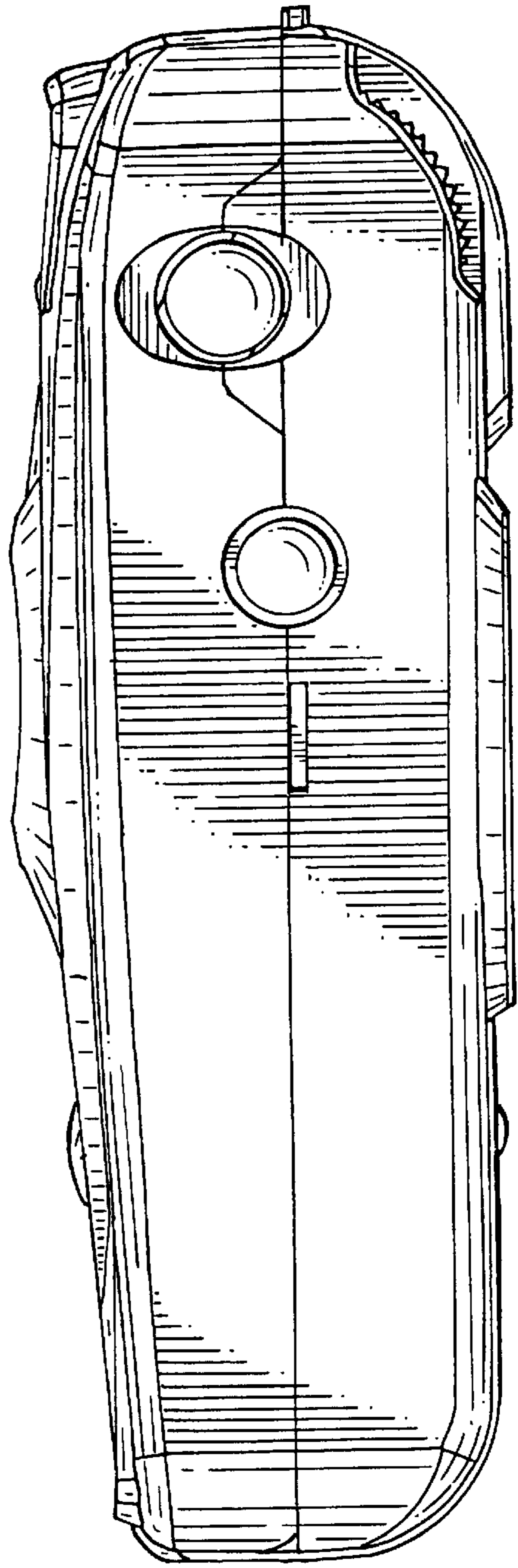


FIG. 8