



US00D479548S

(12) **United States Design Patent**  
**Bielefeld**

(10) **Patent No.:** **US D479,548 S**

(45) **Date of Patent:** **\*\* Sep. 9, 2003**

(54) **PORTABLE THERMAL IMAGER**

OTHER PUBLICATIONS

(75) Inventor: **Eric Bielefeld**, Lexington, KY (US)

Thermal Imaging Camera Evolution 3000, MSA Product Specification 2001.\*

(73) Assignee: **E. D. Bullard Company**, Cynthiana, KY (US)

\* cited by examiner

(\*\*) Term: **14 Years**

*Primary Examiner*—Adir Aronovich  
(74) *Attorney, Agent, or Firm*—Stites & Harbison, PLLC; David W. Nagle, Jr.

(21) Appl. No.: **29/163,288**

(22) Filed: **Jul. 1, 2002**

(57) **CLAIM**

(51) **LOC (7) Cl.** ..... **16-01**

The ornamental design for a portable thermal imager, as shown and described.

(52) **U.S. Cl.** ..... **D16/206; D16/200**

(58) **Field of Search** ..... **D16/200-204, D16/206, 208, 218, 242, 130; 250/330, 332, 333; 348/143, 164, 373-376; 359/630**

**DESCRIPTION**

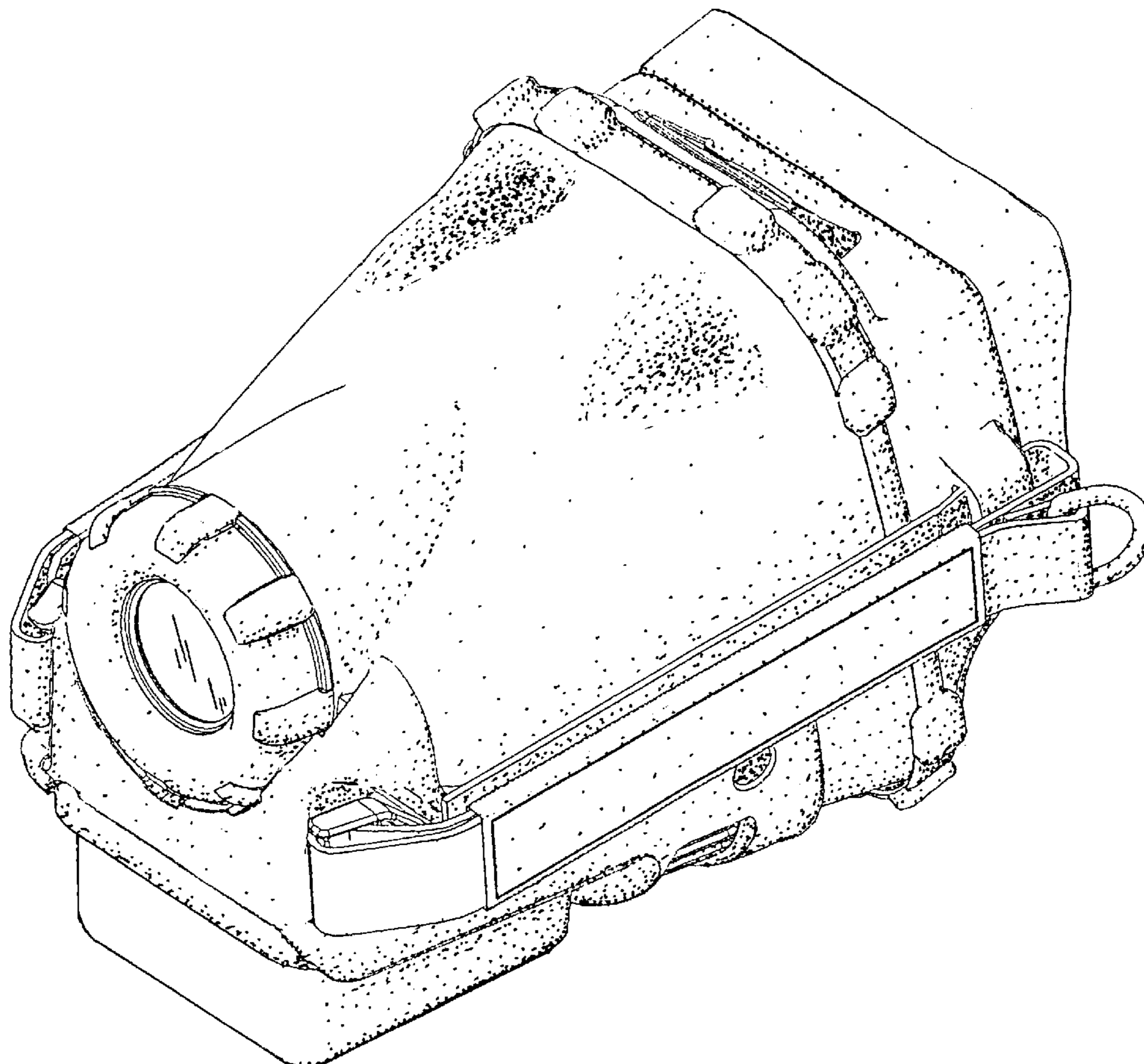
(56) **References Cited**

FIG. 1 is a perspective view of a portable thermal imager showing my new design;  
FIG. 2 is a rear view thereof;  
FIG. 3 is a front view thereof;  
FIG. 4 is a left side view thereof, the right side view being a mirror image of the left side view;  
FIG. 5 is a top view thereof; and,  
FIG. 6 is a bottom view thereof.

**U.S. PATENT DOCUMENTS**

4,407,009	A	*	9/1983	Adamson, Jr. et al.	.....	348/164
D349,126	S	*	7/1994	Lee	.....	D16/242
D386,195	S	*	11/1997	Oates	.....	D16/202
D424,081	S	*	5/2000	Gordon	.....	D16/130
D464,666	S	*	10/2002	Salapow et al.	.....	D16/206

**1 Claim, 3 Drawing Sheets**



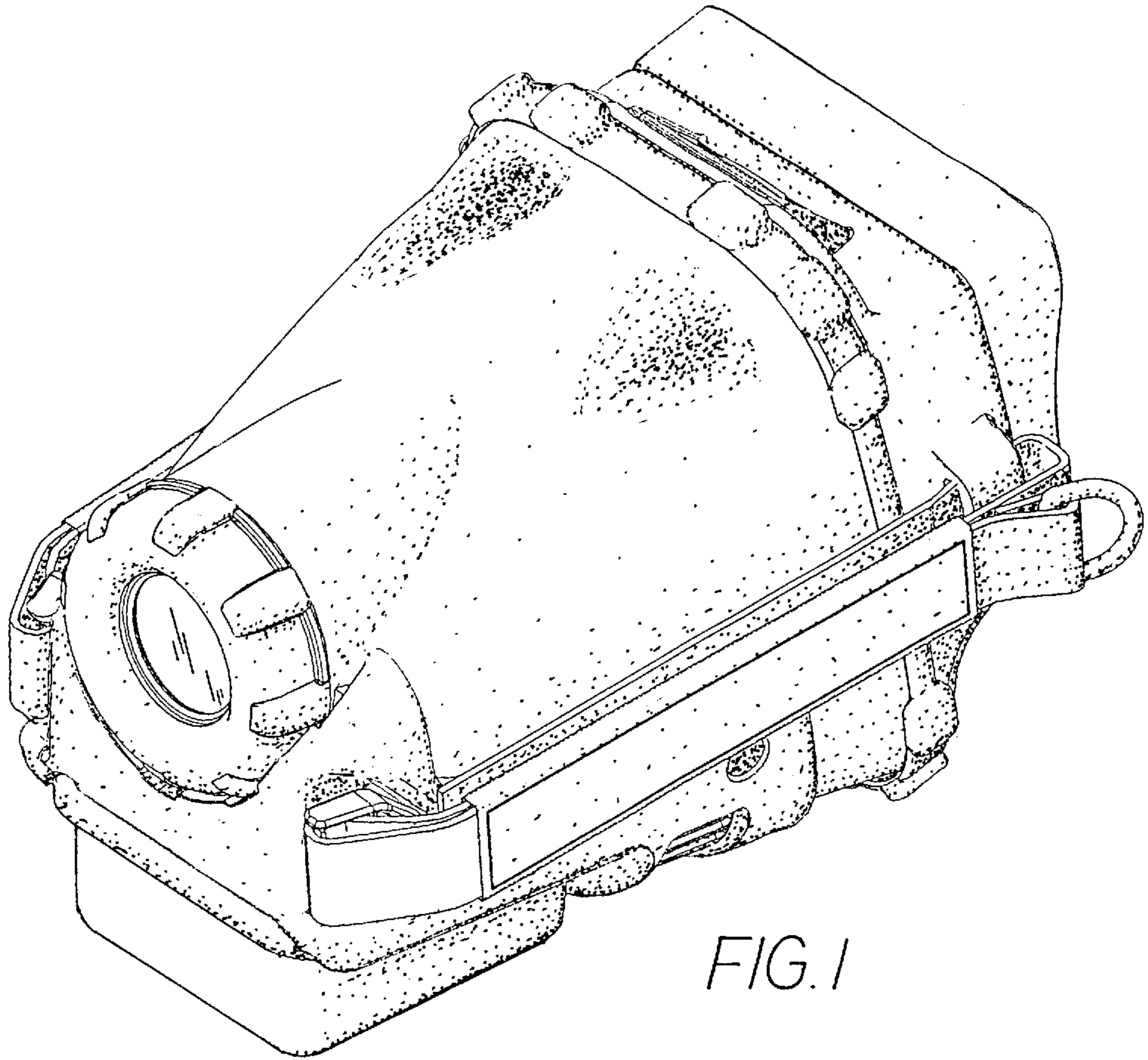


FIG. 1

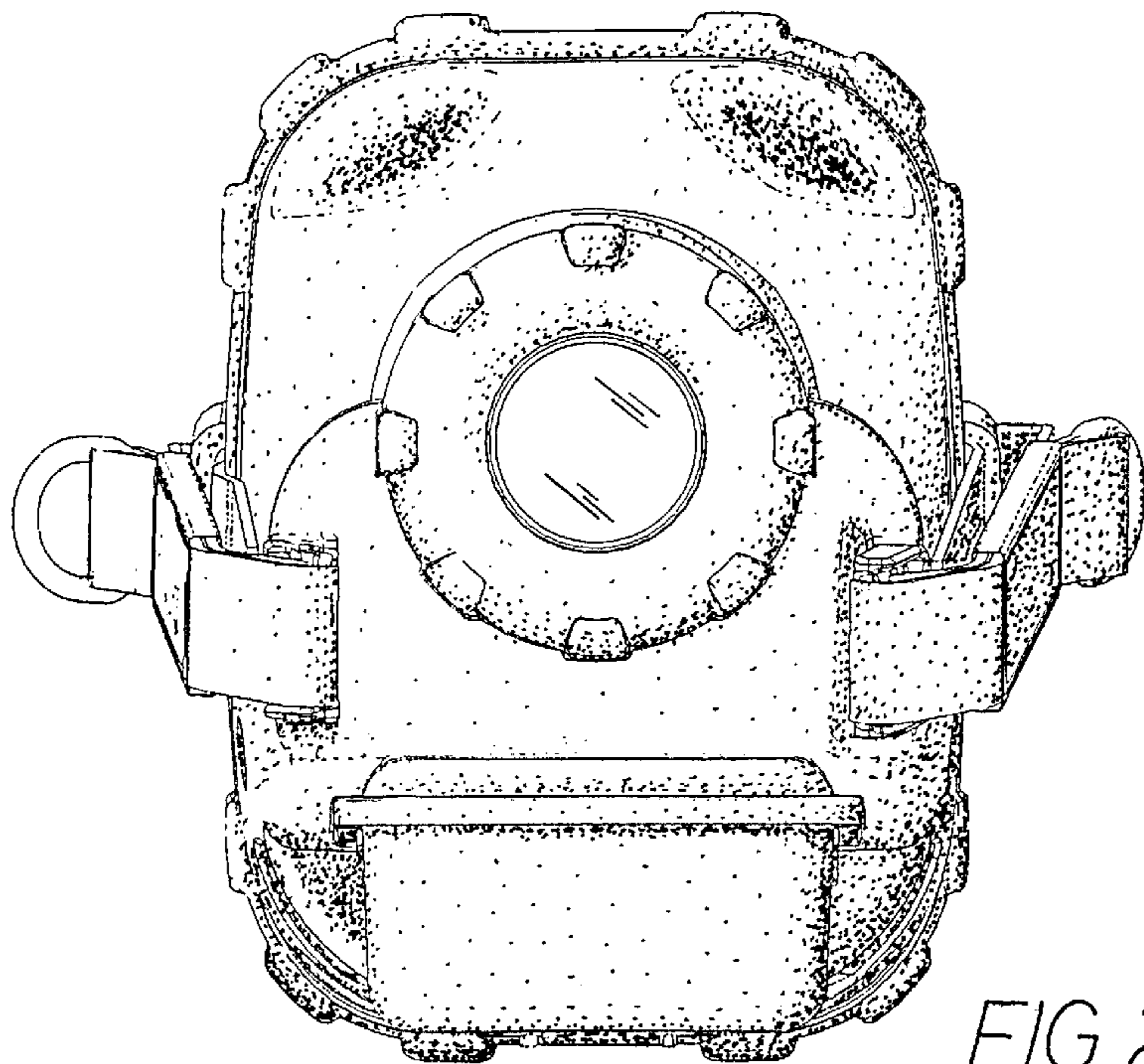


FIG. 2



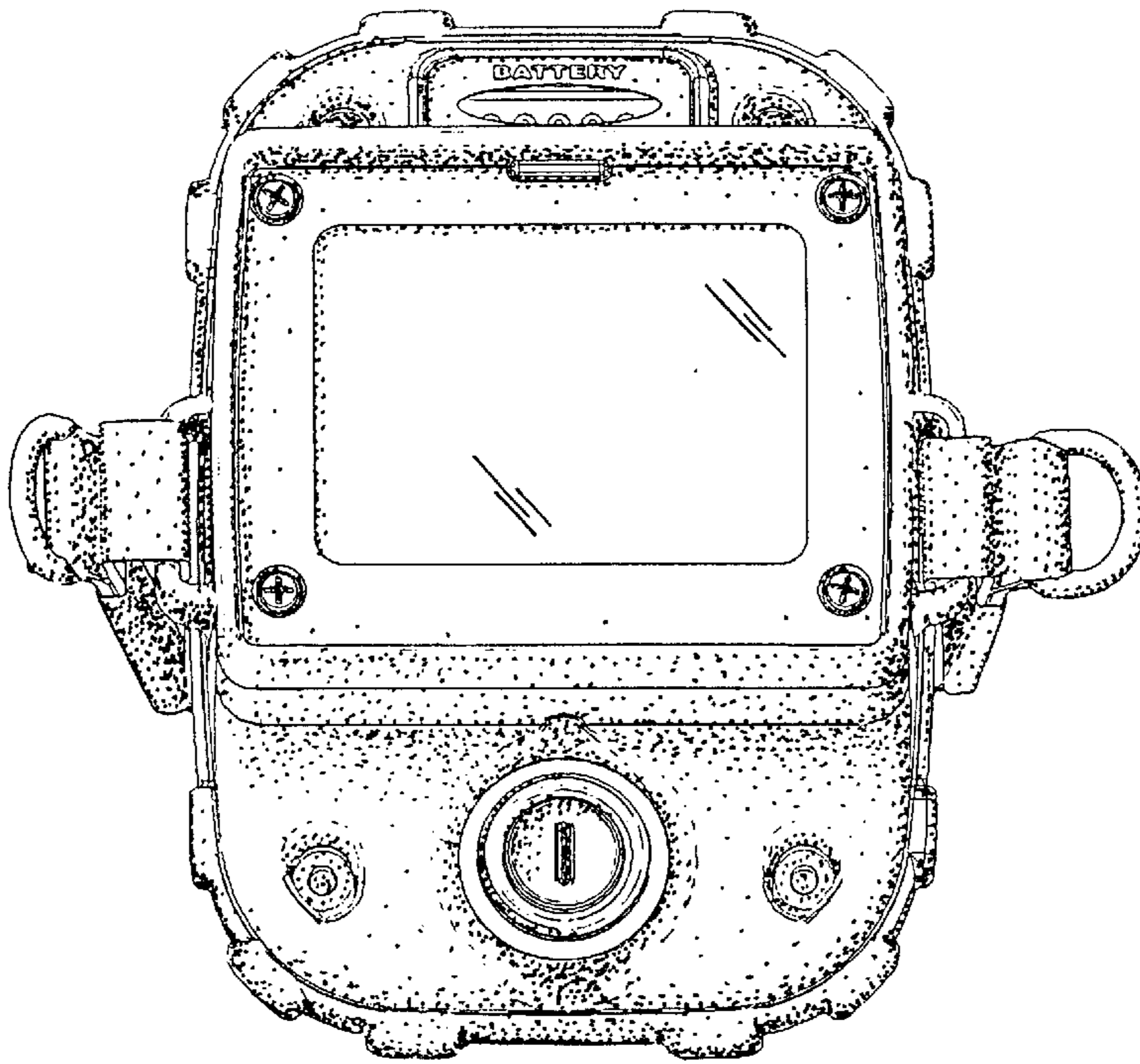


FIG. 3

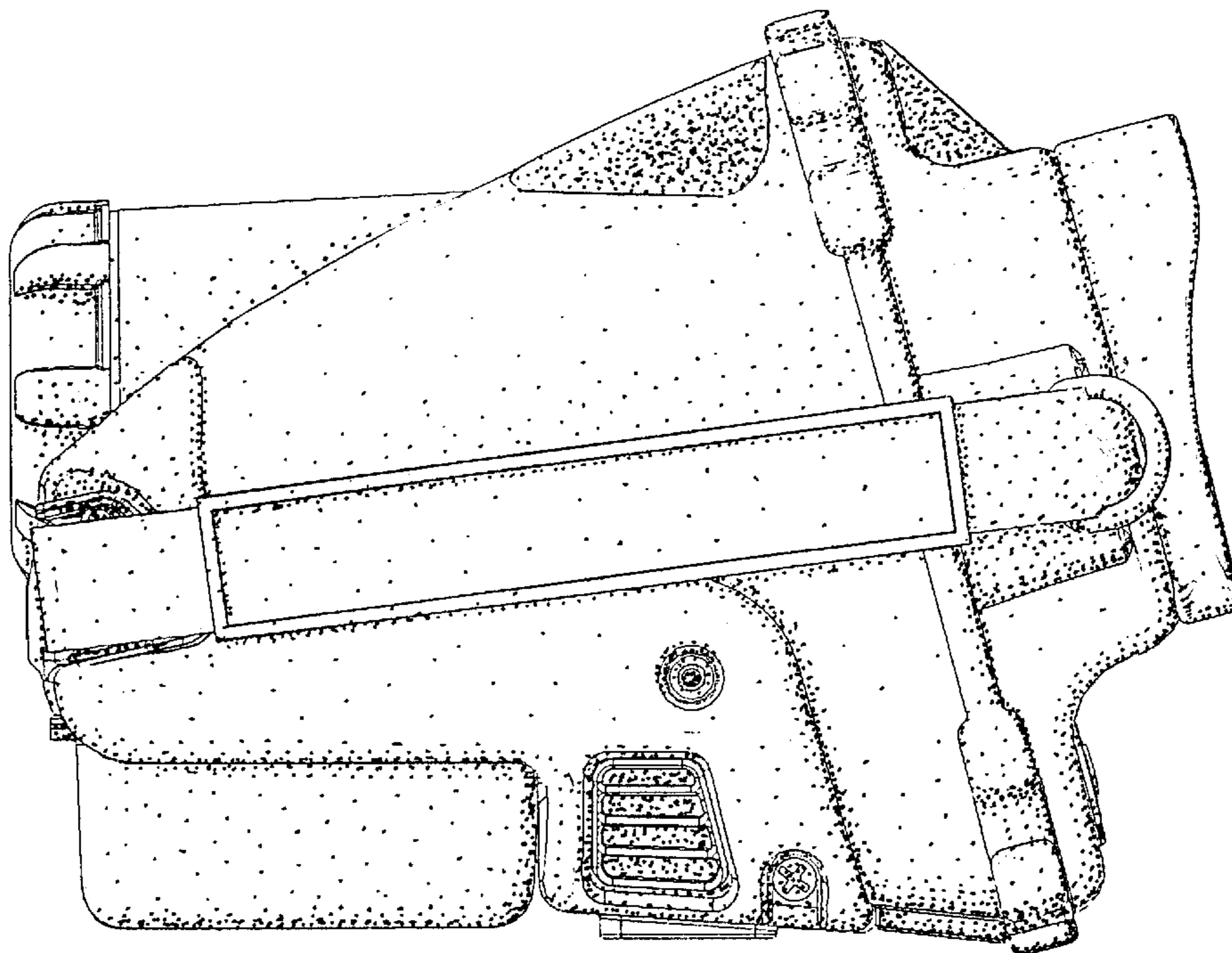


FIG. 4

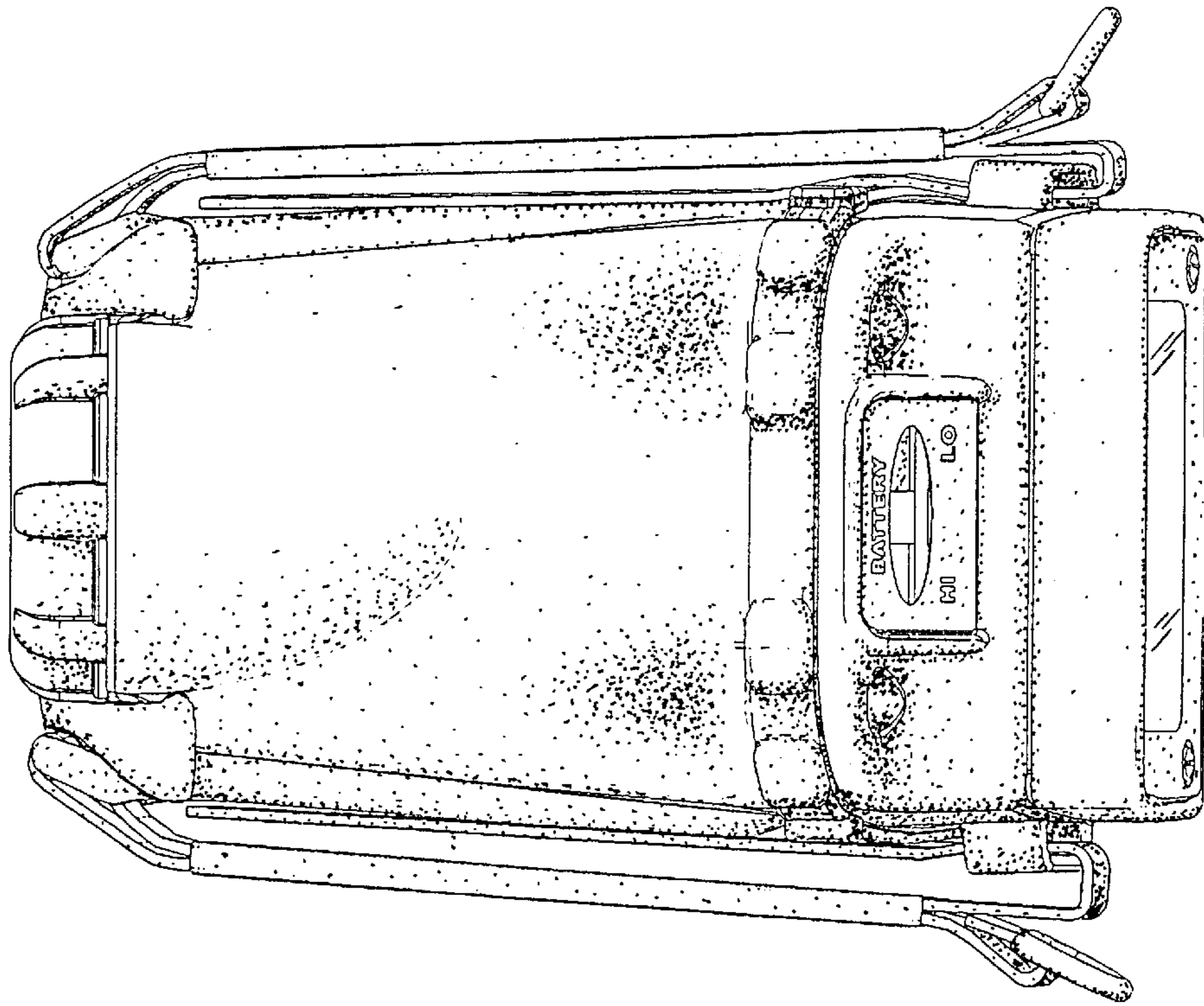


FIG. 5

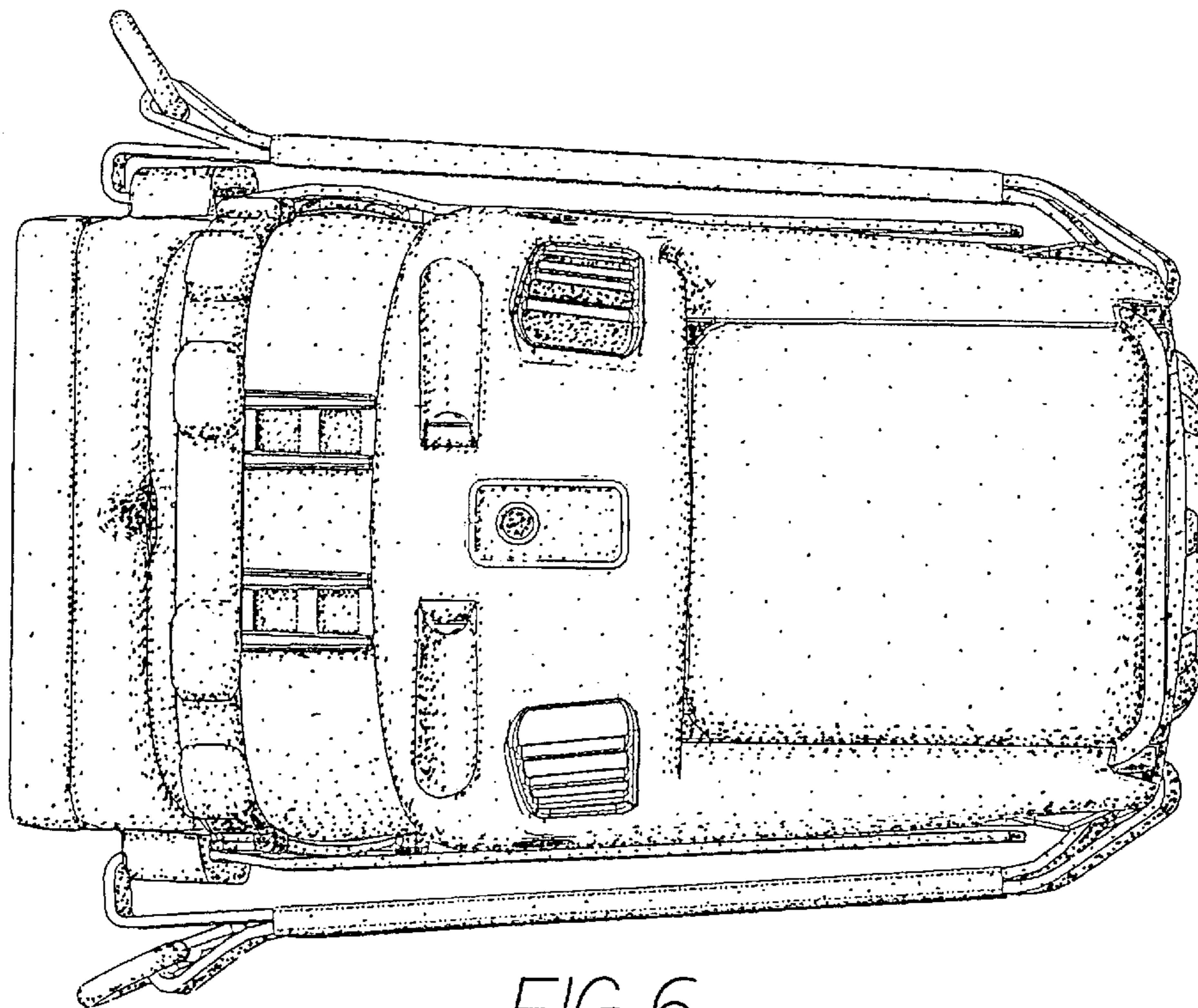


FIG. 6