



US00D479546S

(12) **United States Design Patent**
Yoshikawa

(10) **Patent No.:** **US D479,546 S**

(45) **Date of Patent:** **** Sep. 9, 2003**

(54) **VIDEO CAMERA**

(75) Inventor: **Koichi Yoshikawa**, Tokyo (JP)

(73) Assignee: **Sony Corporation**, Tokyo (JP)

(**) Term: **14 Years**

(21) Appl. No.: **29/154,518**

(22) Filed: **Jan. 28, 2002**

(51) **LOC (7) Cl.** **16-01**

(52) **U.S. Cl.** **D16/202; D16/203**

(58) **Field of Search** **D16/200–204,**
D16/207, 208, 218; 348/47, 48, 14.01–14.1,
143, 151, 373–376; 396/427, 428

(56) **References Cited**

U.S. PATENT DOCUMENTS

D203,597 S	*	2/1966	Newton et al.	D16/203
D203,678 S	*	2/1966	Newton et al.	D16/203
D217,153 S	*	4/1970	Adkins	D16/203
3,535,442 A	*	10/1970	Jennings	348/151
5,572,248 A	*	11/1996	Allen et al.	348/14.1
5,808,663 A	*	9/1998	Okaya	348/14.1
2002/0122113 A1	*	9/2002	Foote	348/48

OTHER PUBLICATIONS

Web page “THE DOCUMENT COMPANY”, http://www-fujizerox.co.jp/release2001/0424_yubikitas.html, 6 pgs., Fujitsu Corporation (Jul. 2001).

Web page publication “ASCII 24/ascii24.com”, <http://ascii24.com/news/i/soft/article/21000/11/02/619340-000.html>, 5 pgs., ASCII Corporation (Oct. 2001).

Web page publication “ASCII 24/ascii24.com/KOUBO ON-LINE,” <http://ascii24.com/news/i/soft/article/21000/11/02/imageview/images627207.jpg.html>, 1 page, ASCII Corporation (Oct. 2001).

Web page publication “ASCII 24/ascii24.com/VPN,” <http://ascii24.com/news/i/soft/article/21000/11/02/imageview/images627200.jpg.html>, 1 page, ASCII Corporation (Oct. 2001).

Web page publication “Impress Watch for Sony Fan”, http://www.watch.impress.com.jp/sonyfan/news/20011/07_3.htm, 3 pgs. with texts and 5 pictures from the sites of www.watch.impress.co.jp/pc/docs/article/20001102/sme01.htm, www.watch.impress.co.jp/sonyfan/news/200111/images/08_sony0036.jpg, and www.watch.impress.co.jp/sonyfan/news/200111/images/08_sony0030.jpg, one page each, Impress Communications Corporation (Nov. 2001).

Web page publication “Impress Watch for Sony Fan”, http://www.watch.impress.co.jp/sonyfan/news/200111/07_2.htm, 3 pgs. with texts and 3 pictures from the sites of www.watch.impress.co.jp/sonyfan/news/200111/images/08_avex07.jpg, www.watch.impress.co.jp/sonyfan/news/200111/images/08_avex08.jpg, www.watch.impress.co.jp/sonyfan/news/200111/images/08_avex09.jpg, one page each, Impress Commucations Corporation (Nov. 2001).

Web page publication surround photo/Product Information, <http://vri.ca/360/mainwhat/WhatIsmid.html>, 2 pgs., VR International Corporation (Nov. 2001).

* cited by examiner

Primary Examiner—Adir Aronovich

(74) *Attorney, Agent, or Firm*—Rader, Fishman & Grauer PLLC

(57) **CLAIM**

The ornamental design for a video camera, as shown and described.

DESCRIPTION

FIG. 1 is a perspective view of a video camera showing my new design;

FIG. 2 is front elevational view thereof;

FIG. 3 is a rear elevational view thereof;

FIG. 4 is a left side elevational view thereof;

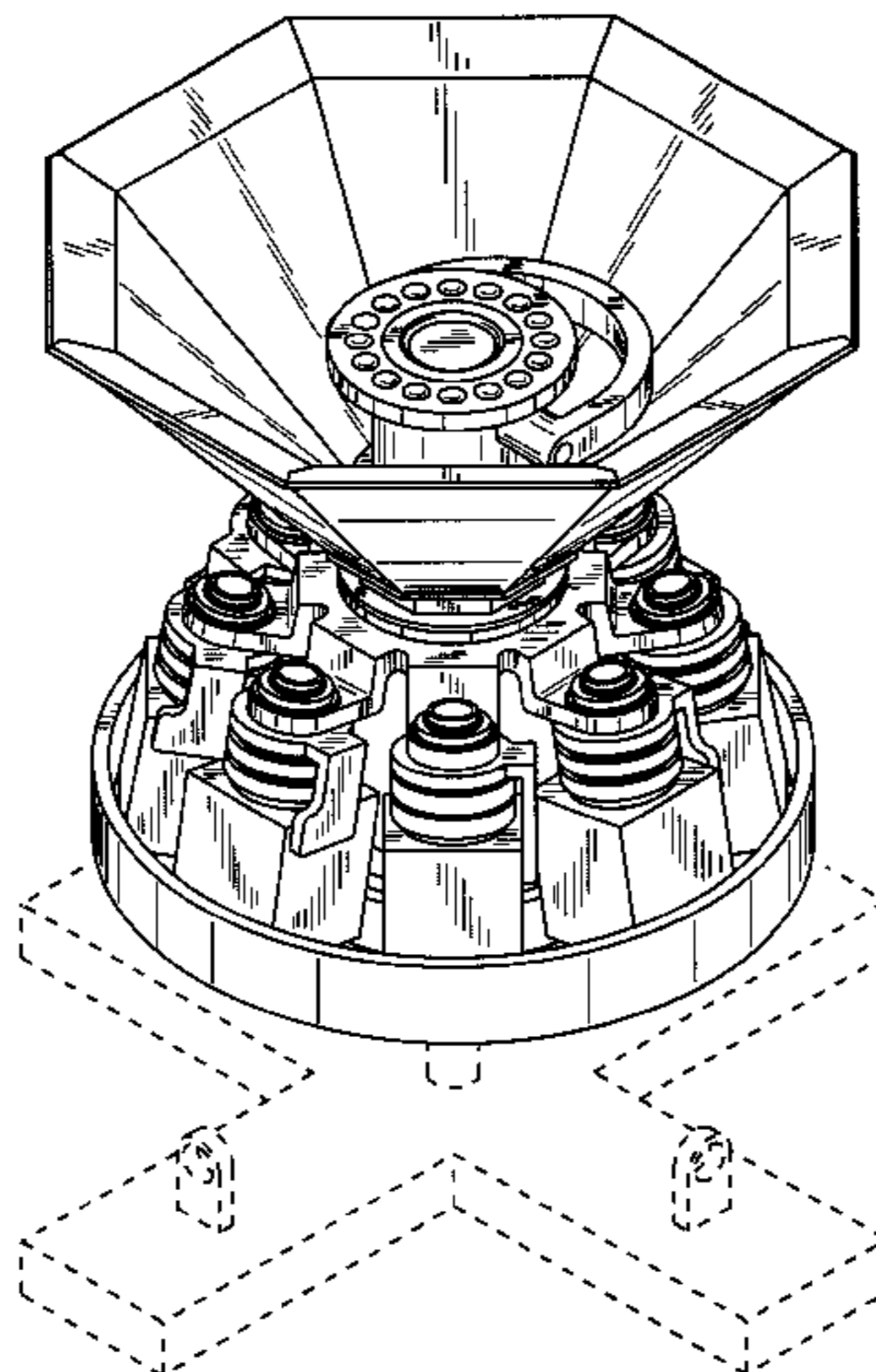
FIG. 5 is a right side elevational view thereof;

FIG. 6 is a top plan view thereof; and,

FIG. 7 is a bottom plan view thereof.

Portions in broken lines are for illustrative purposes only and form no part of claimed design.

1 Claim, 4 Drawing Sheets



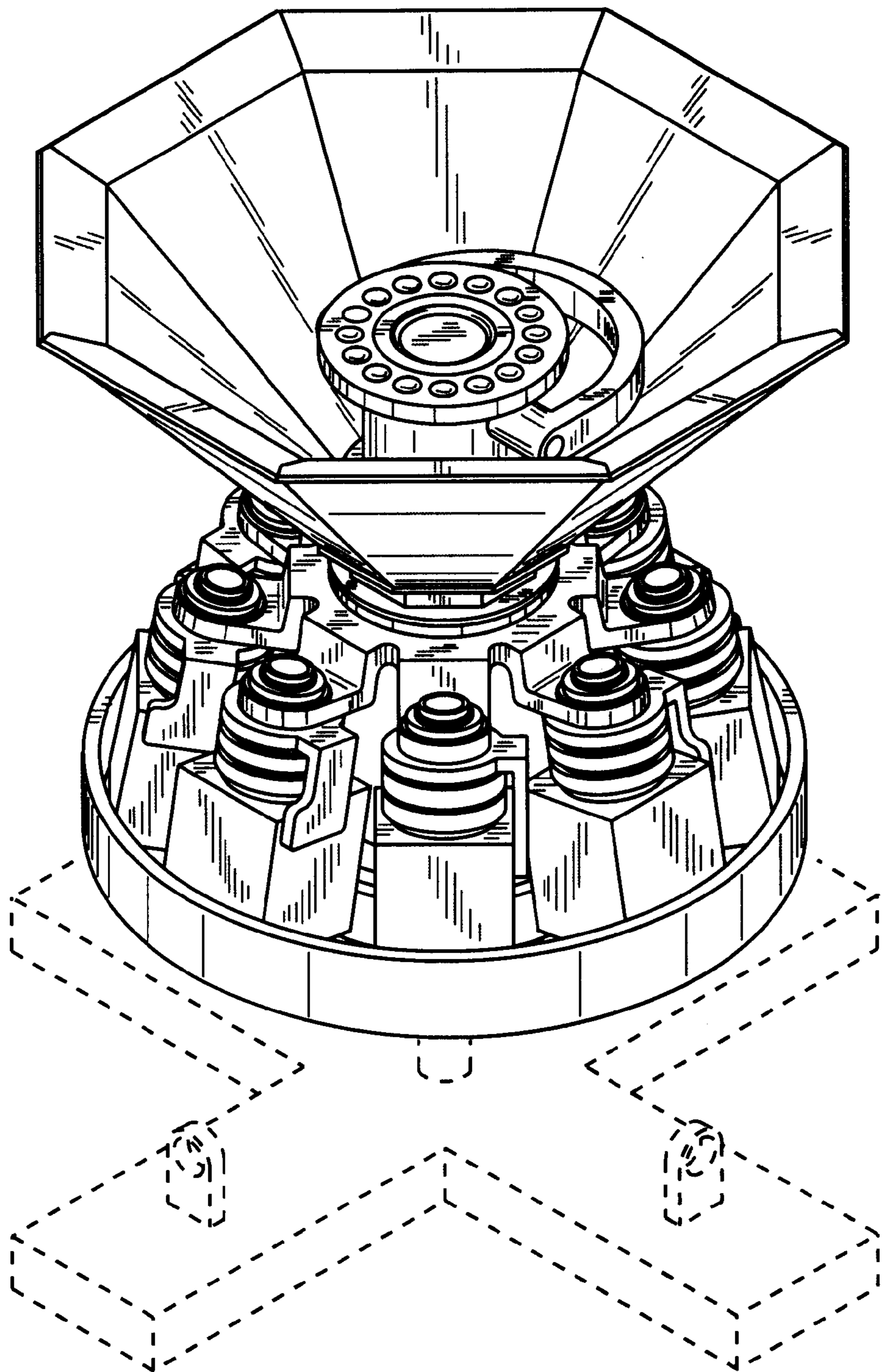


Fig. 1

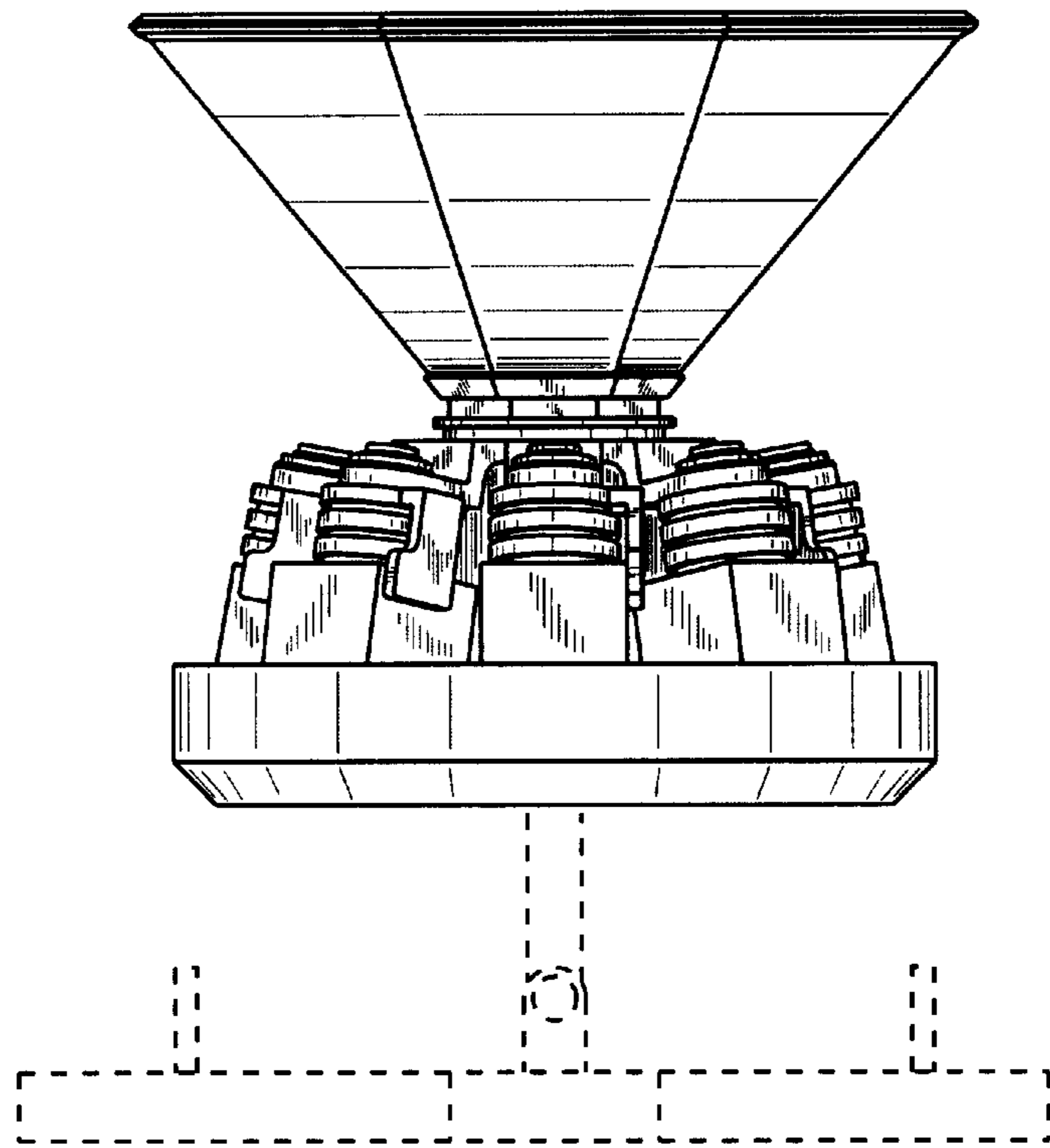


Fig. 2

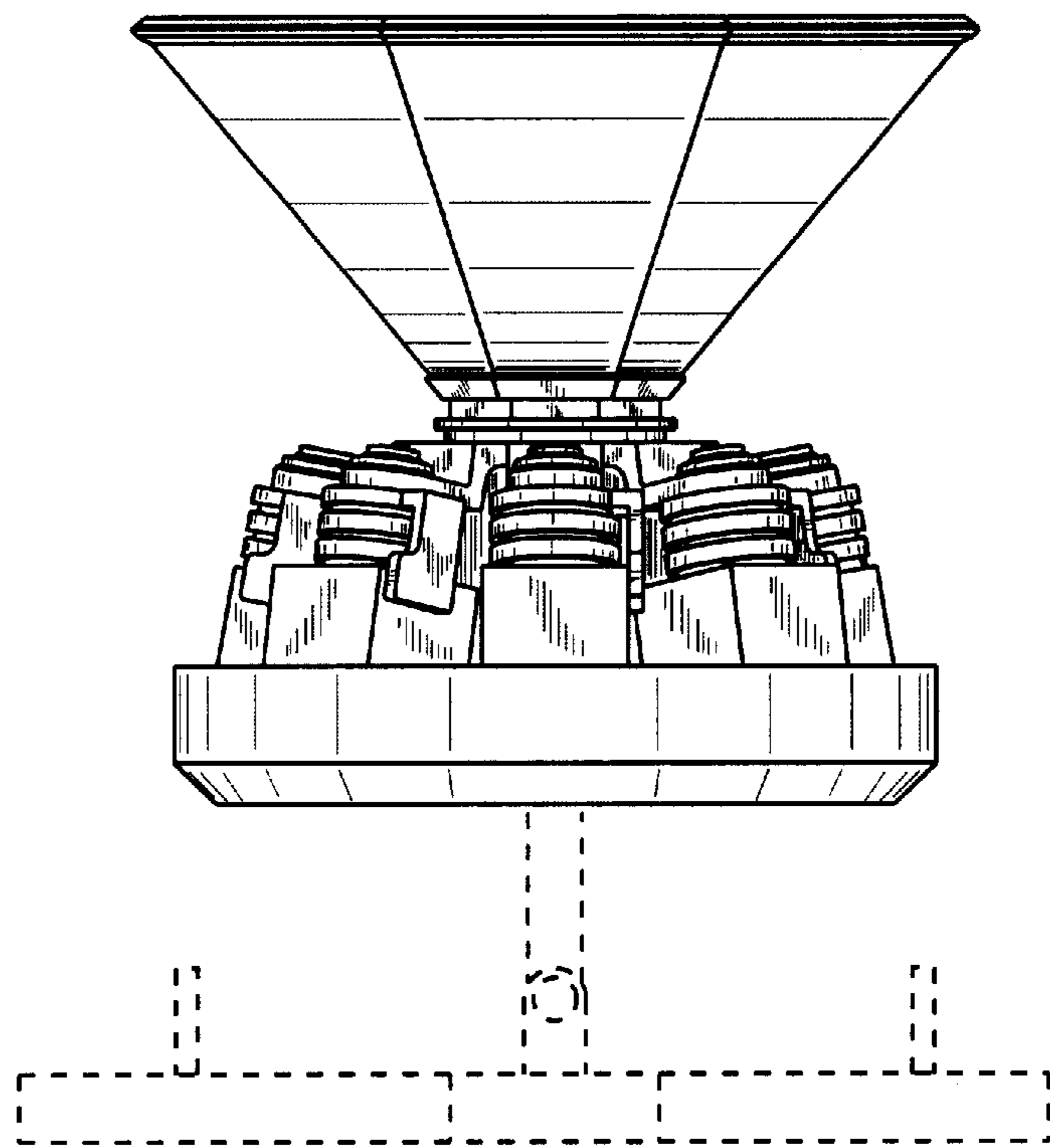


Fig. 3

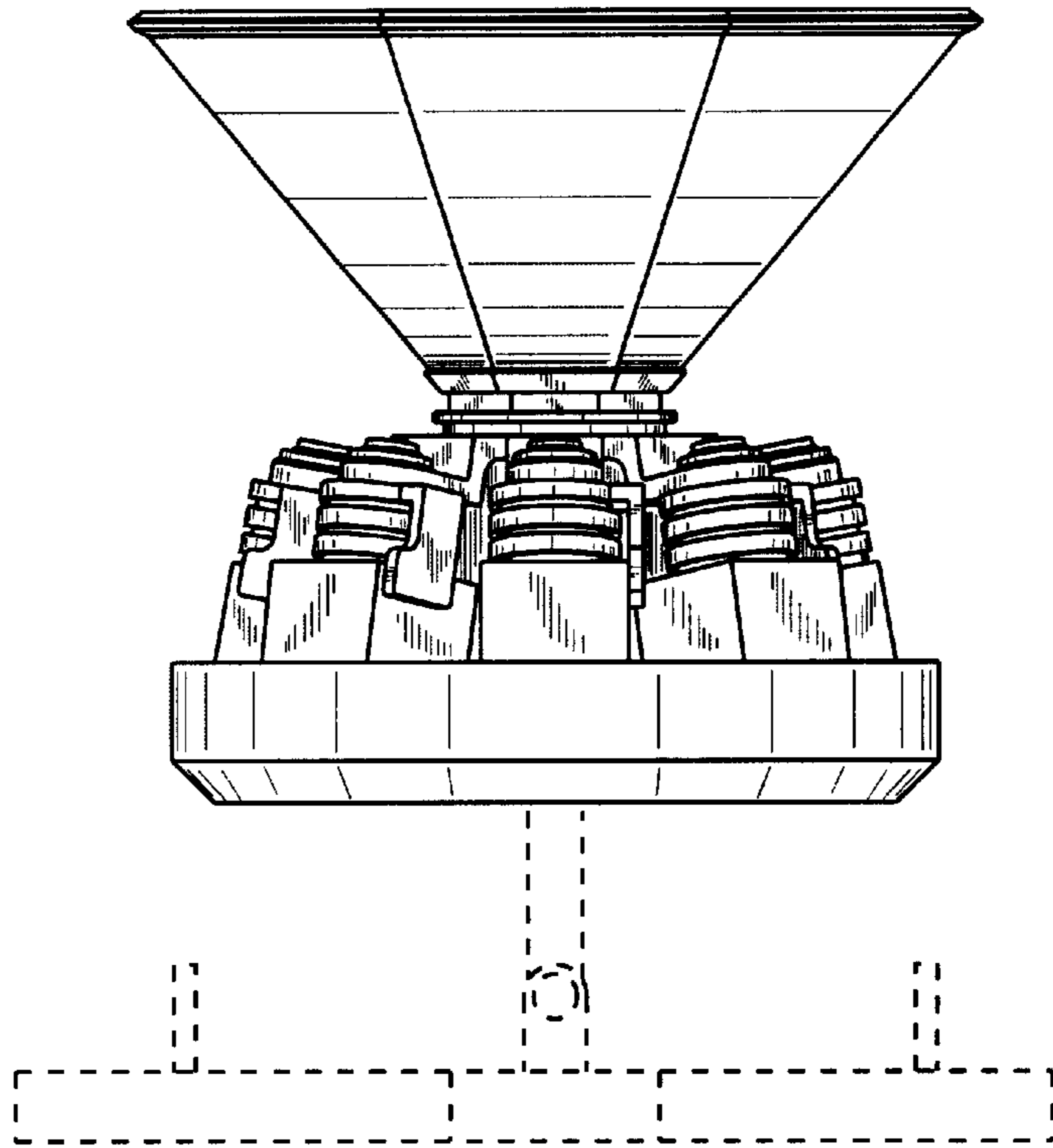


Fig. 4

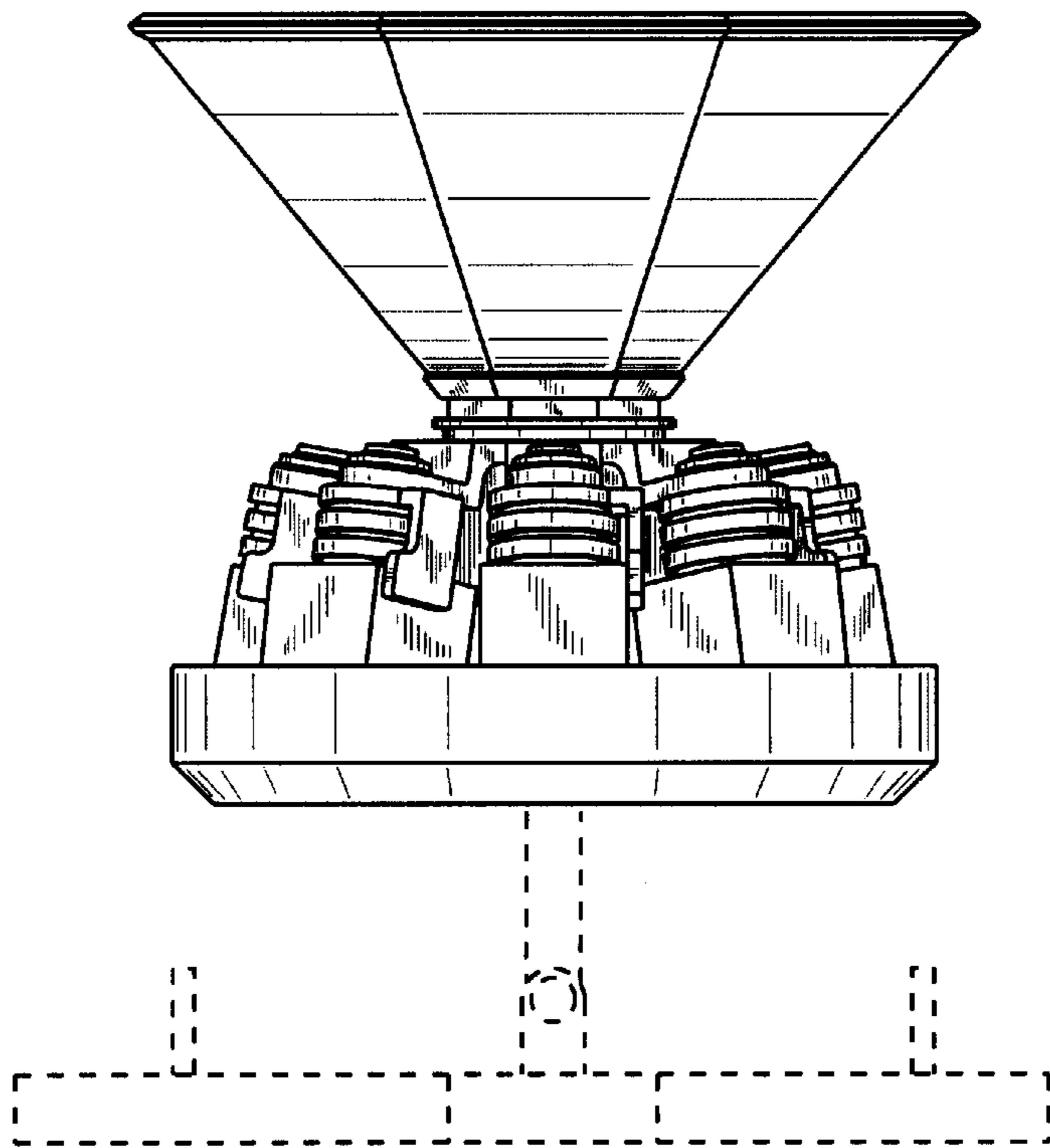


Fig. 5

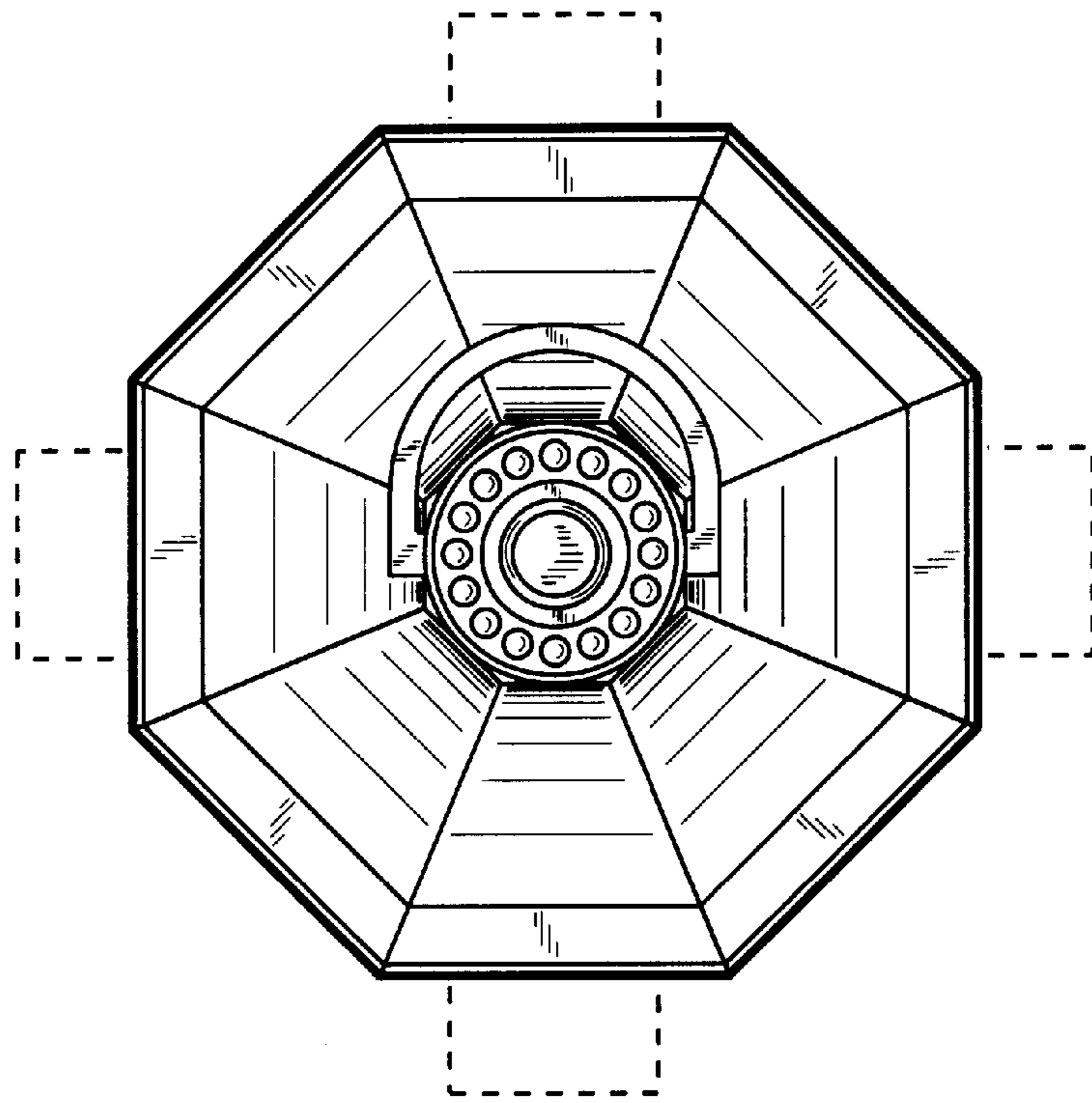


Fig.6

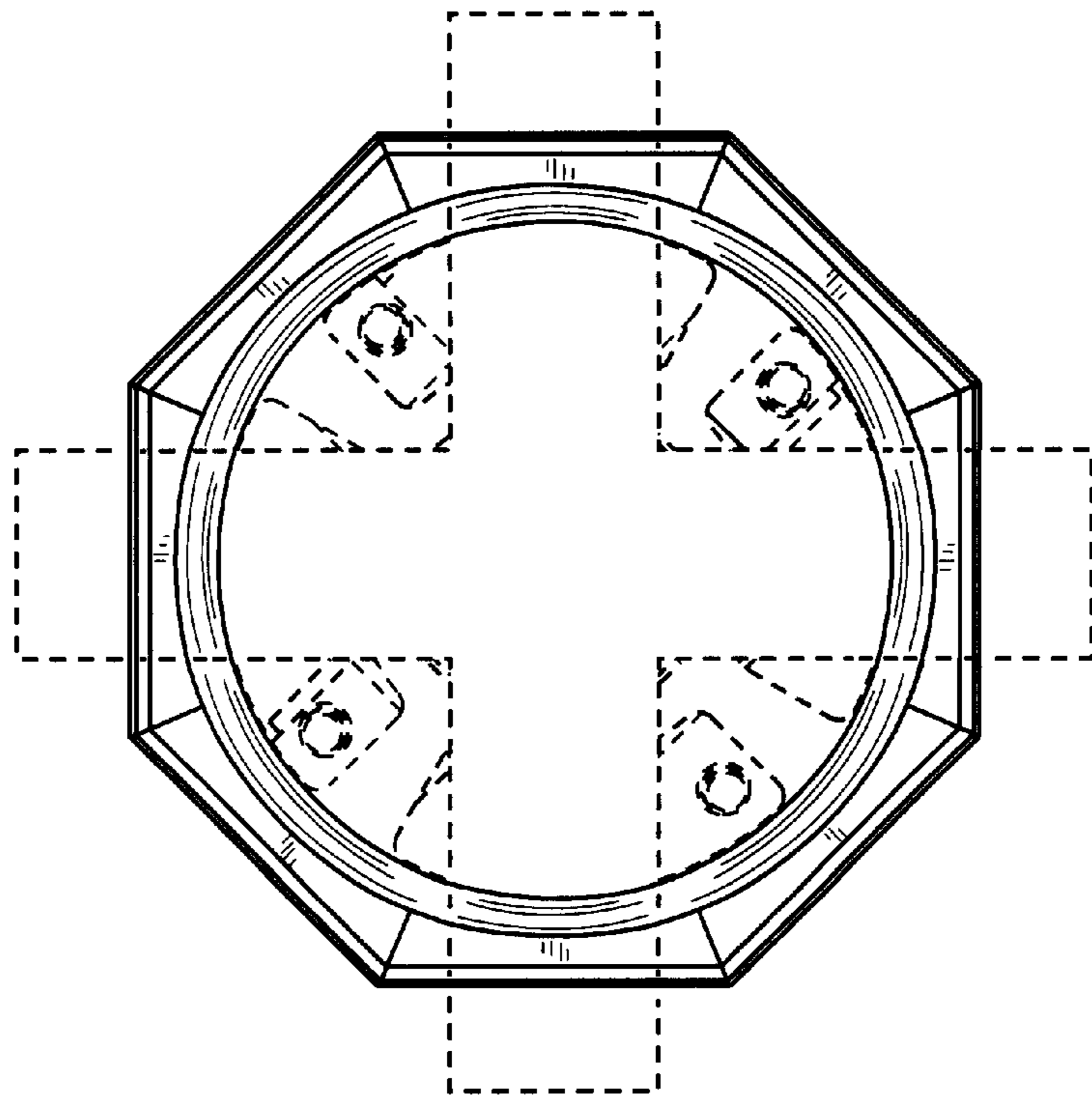


Fig.7