



US00D479541S

(12) **United States Design Patent**
Lannoch

(10) **Patent No.:** **US D479,541 S**

(45) **Date of Patent:** **** Sep. 9, 2003**

(54) **PLANETARY GEAR WITH ROUND FLANGE**

(75) Inventor: **Hans-Jürgen Lannoch**,
Linkenheim-Hochstetten (DE)

(73) Assignee: **SEW-Eurodrive GmbH & Co.**,
Bruschal (DE)

(**) Term: **14 Years**

(21) Appl. No.: **29/170,165**

(22) Filed: **Nov. 1, 2002**

(30) **Foreign Application Priority Data**

May 2, 2002 (DE) 4 02 03 875

(51) **LOC (7) Cl.** **15-09**

(52) **U.S. Cl.** **D15/148**

(58) **Field of Search** D15/148-149;
74/395.411, 640; 475/83, 331-335, 345

(56) **References Cited**

U.S. PATENT DOCUMENTS

- 4,838,123 A * 6/1989 Matoba 475/335
- 5,501,117 A 3/1996 Mensing et al.
- D368,919 S 4/1996 Lannoch
- D410,659 S 6/1999 Lannoch
- D414,790 S 10/1999 Lannoch
- D420,689 S 2/2000 Lannoch
- 6,524,206 B2 * 2/2003 Tsunemi et al. 475/83
- 6,547,689 B2 * 4/2003 Baker, Jr. 475/331

OTHER PUBLICATIONS

SEW Eurodrive brochure "Low Backlash Planetary Gear Units" Operating Instructions, Edition Mar. 2001.

SEW Eurodrive brochure "Leadership has a Million Reasons: The Complete Program for More Efficiency in Drive Engineering" Program Overview.

SEW Eurodrive Catalog "Low Backlash Planetary Gear Units" Edition Jul. 2002.

SEW Eurodrive brochure Latest News "Precision Planetary Gear Unit PSE" Edition Mar. 2001.

SEW Eurodrive brochure "Antriebstechnik von SEW"—Das komplette Programm auf einen Blick, Edition Mar. 2000.

* cited by examiner

Primary Examiner—Antoine Duval Davis

(74) *Attorney, Agent, or Firm*—Leydig, Voit & Mayer, Ltd.

(57) **CLAIM**

The ornamental design for a planetary gear with round flange, as shown and described.

DESCRIPTION

FIG. 1 is a perspective view showing my new design of a planetary gear with round flange;

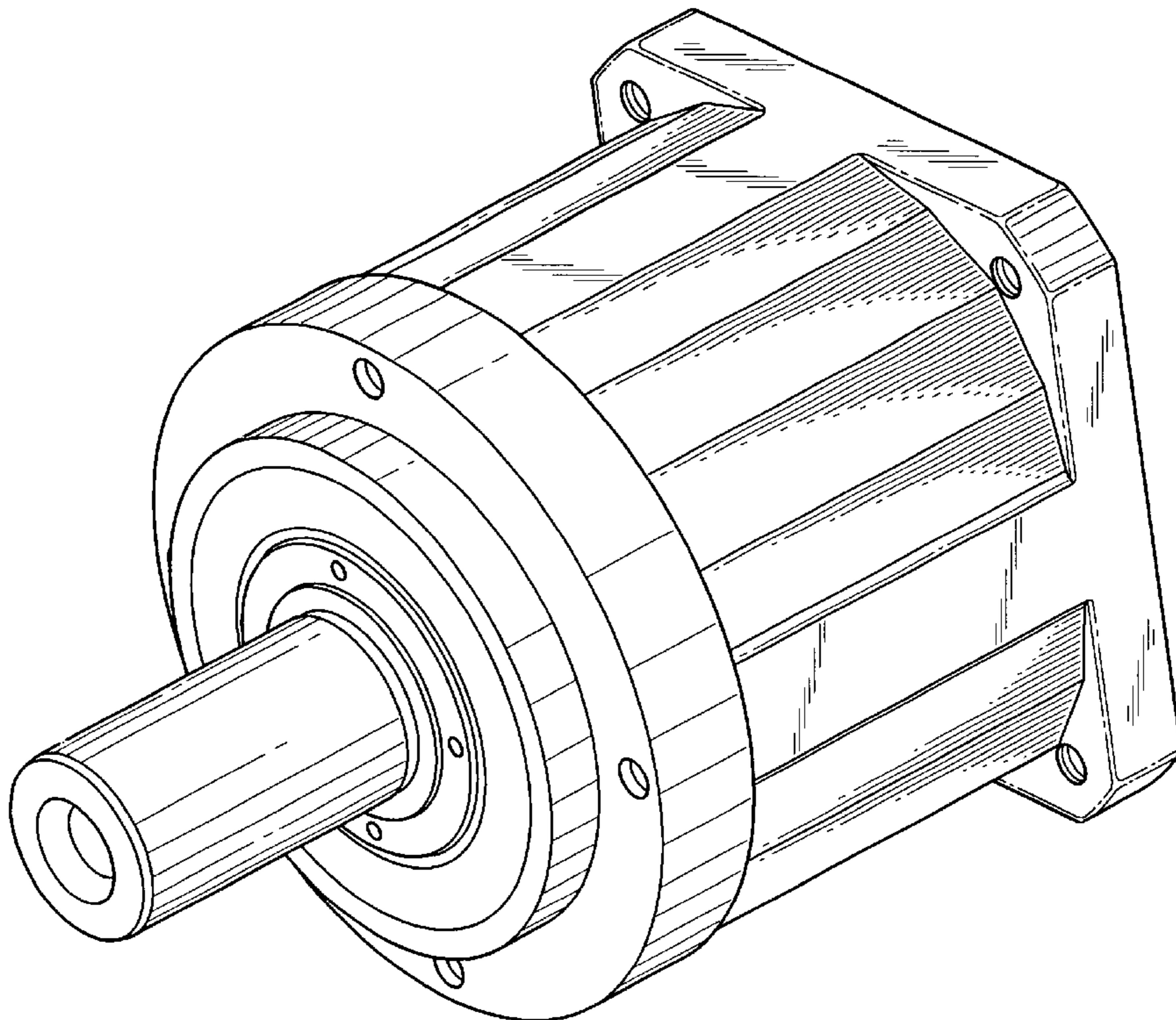
FIG. 2 is an output back view thereof;

FIG. 3 is a side elevational view thereof;

FIG. 4 is a bottom view thereof; and,

FIG. 5 is an input front view thereof.

1 Claim, 5 Drawing Sheets



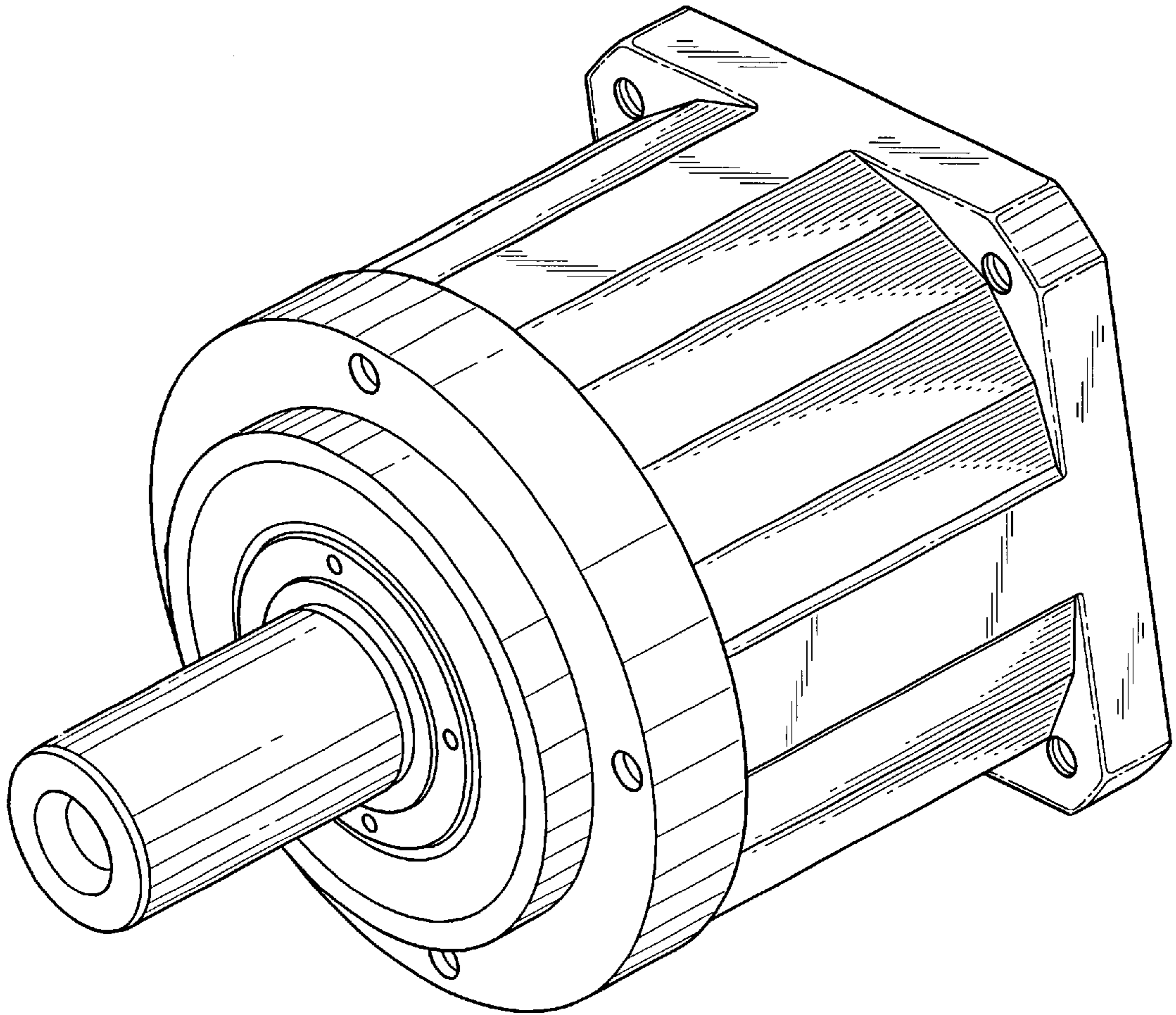


FIG. 1

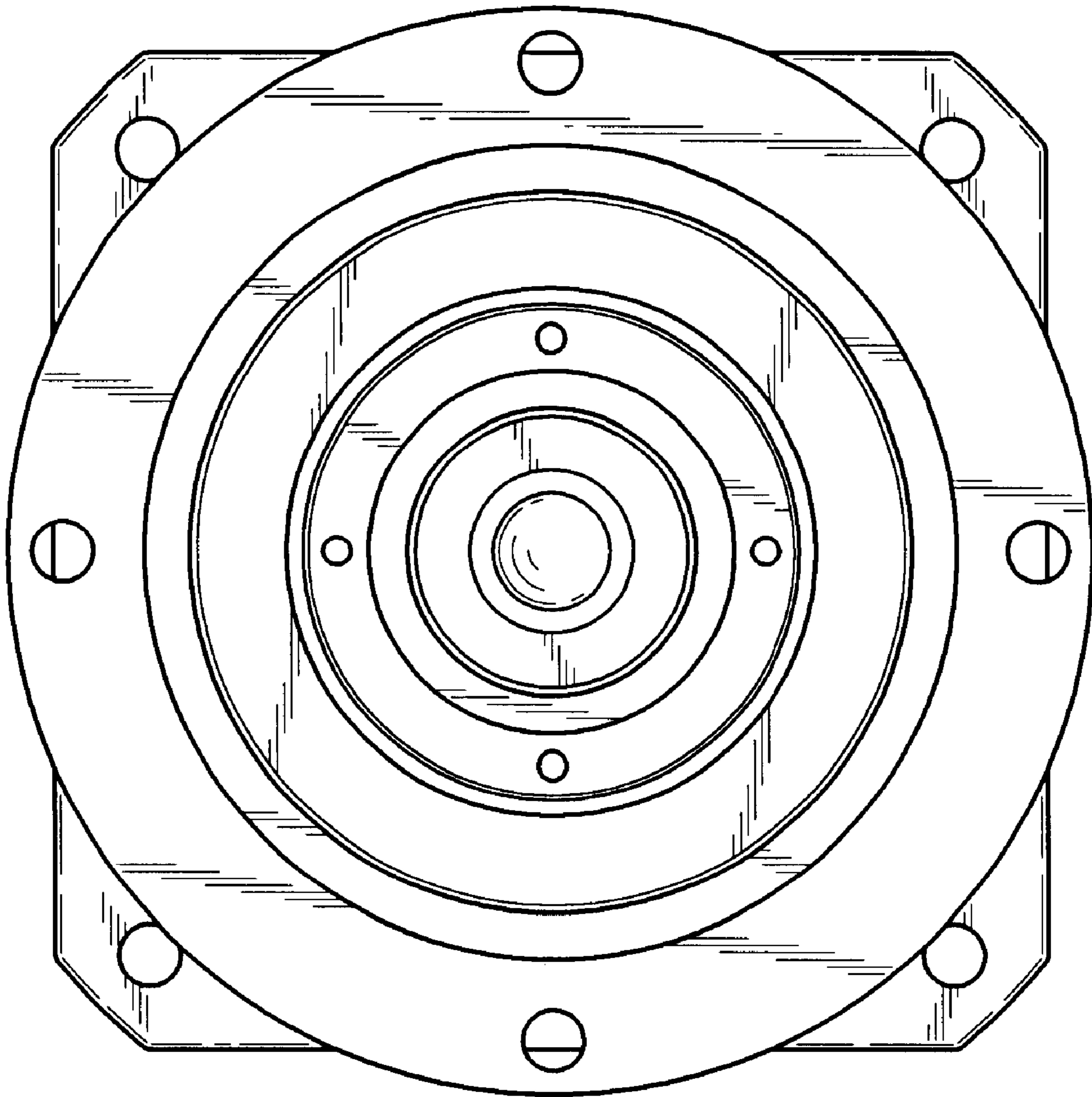


FIG. 2

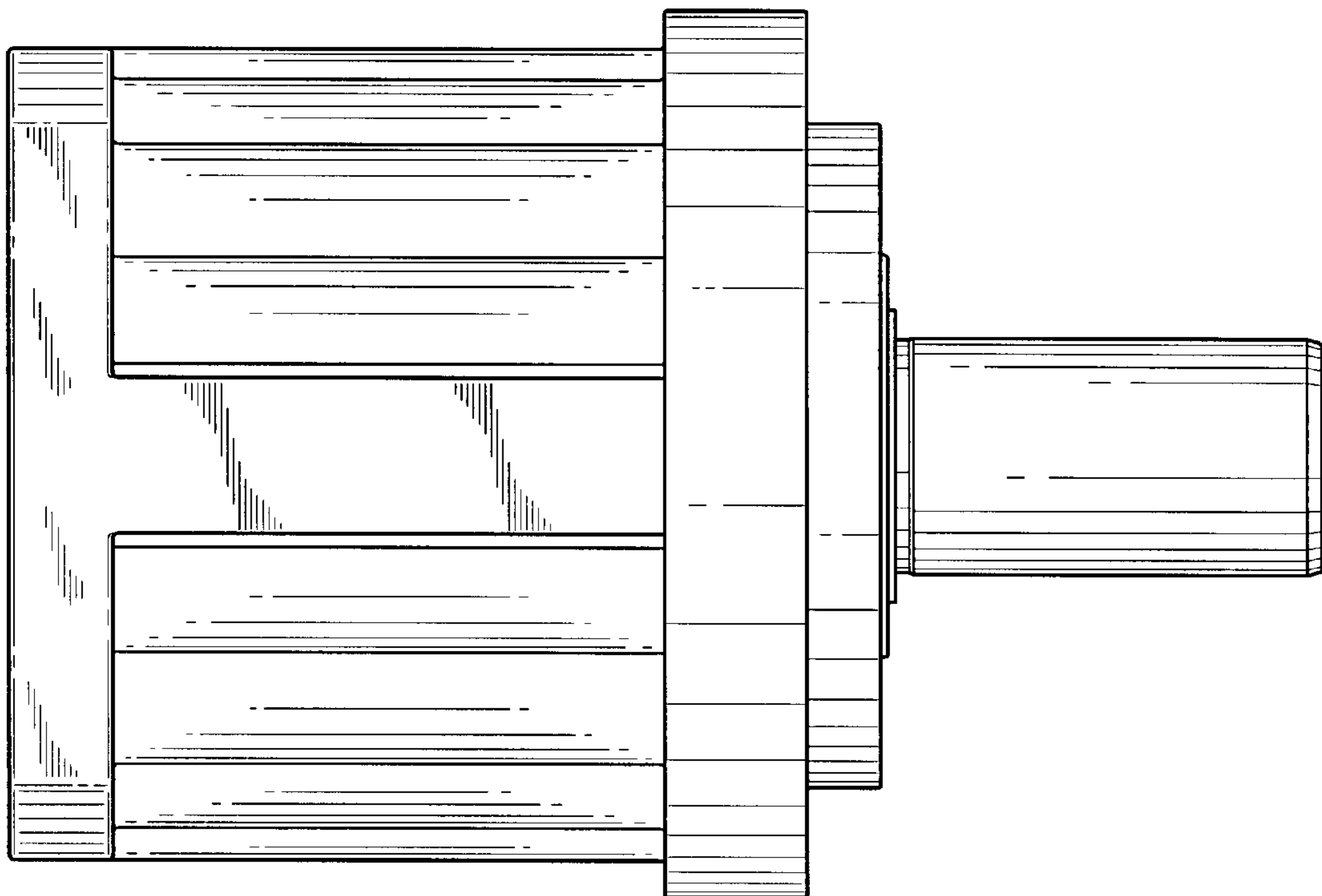


FIG. 3

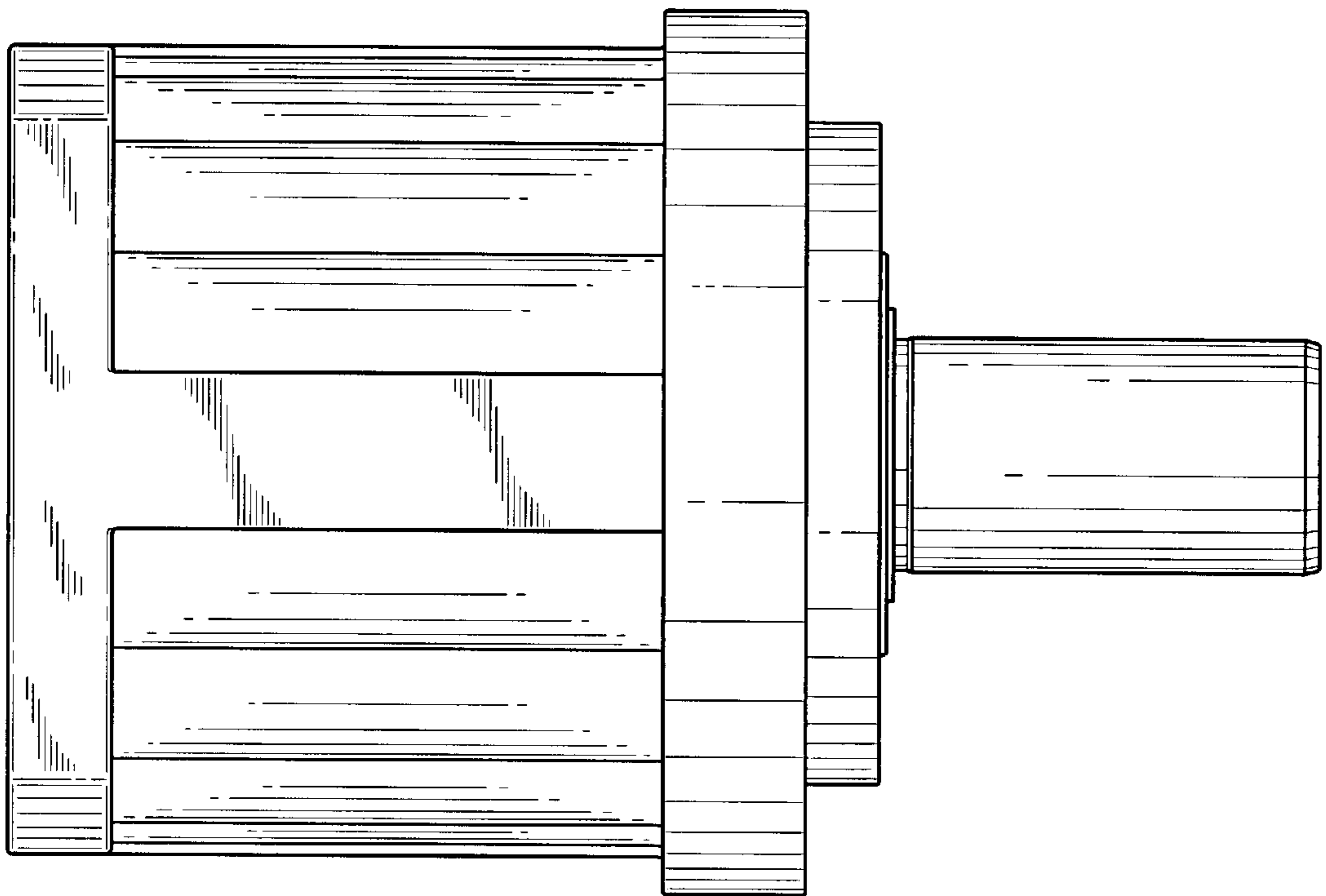


FIG. 4

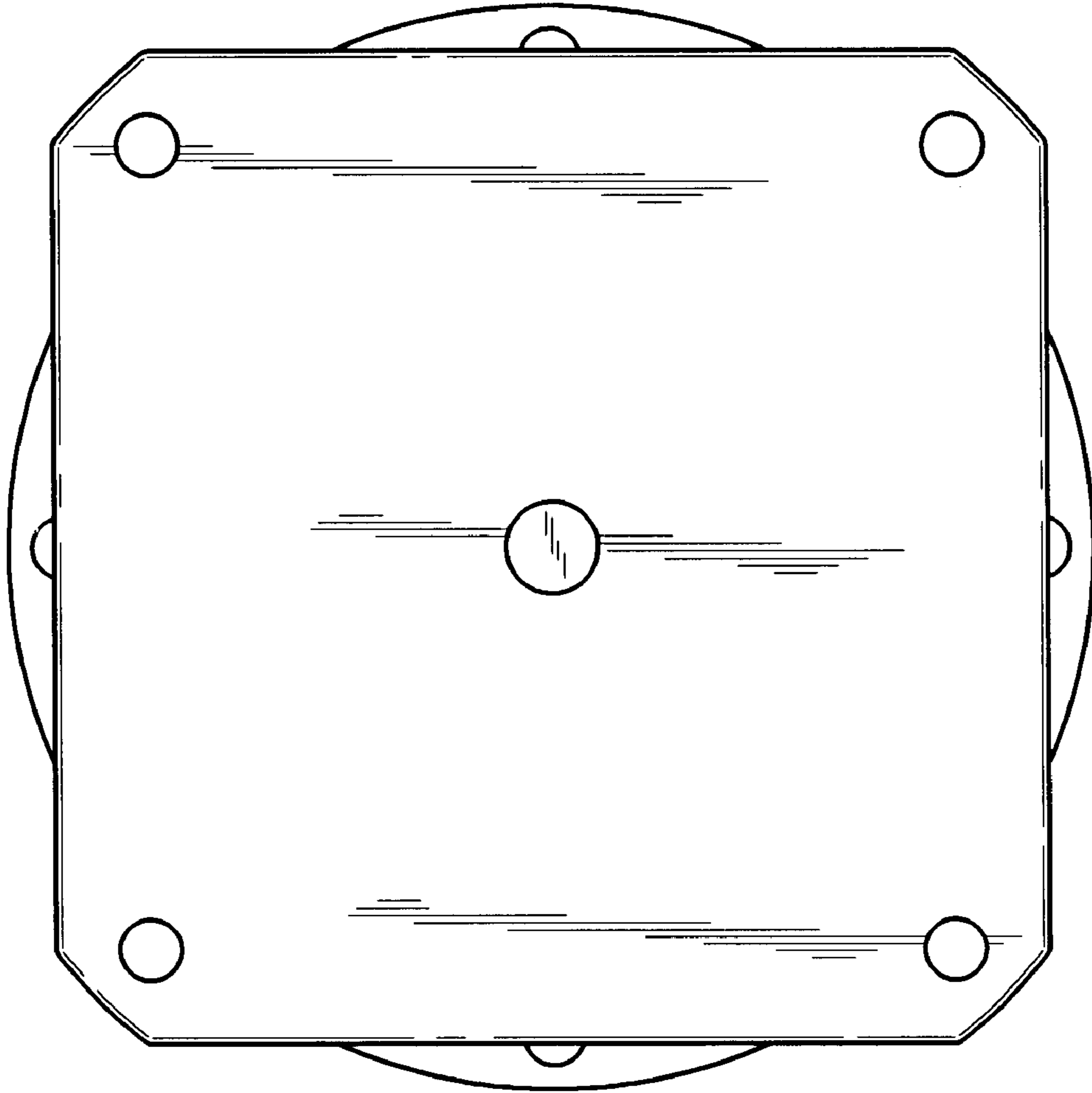


FIG. 5