



US00D479540S

(12) **United States Design Patent**  
**Leon, Jr.**

(10) **Patent No.:** **US D479,540 S**

(45) **Date of Patent:** **\*\* Sep. 9, 2003**

(54) **WELDING GROUND CLAMP HAVING A  
MAGNET WITH A REMOVAL TAB**

(76) Inventor: **Raymond Leon, Jr.**, 83740 Citrus Ave.,  
Unit H, Indio, CA (US) 92201

(\*\*) Term: **14 Years**

(21) Appl. No.: **29/173,067**

(22) Filed: **Dec. 19, 2002**

**Related U.S. Application Data**

(63) Continuation of application No. 09/969,930, filed on Oct. 3,  
2001, now abandoned.

(51) **LOC (7) Cl.** ..... **15-09**

(52) **U.S. Cl.** ..... **D15/144**

(58) **Field of Search** ..... D15/144, 144.1,  
D15/144.2; 219/136; 269/8; 439/92, 28

(56) **References Cited**

**U.S. PATENT DOCUMENTS**

4,210,373 A \* 7/1980 McGee ..... 439/28  
5,046,958 A \* 9/1991 Brown ..... 439/92

\* cited by examiner

*Primary Examiner*—Antoine Duval Davis  
(74) *Attorney, Agent, or Firm*—Timothy Thut Tyson; Ted  
Masters; Freilich, Hornbaker & Rosen

(57) **CLAIM**

The ornamental design for a welding ground clamp having  
a magnet with a removal tab, as shown.

**DESCRIPTION**

FIG. 1 is a bottom, front, right side perspective view of a  
welding ground clamp having a magnet with a removal tab  
showing my new design ;  
FIG. 2 is a bottom plan view thereof;  
FIG. 3 is a left side elevation view, the right side elevation  
view being the mirror image thereof;  
FIG. 4 is a top plan view thereof;  
FIG. 5 is a rear elevation view thereof; and  
FIG. 6 is a front elevation view thereof.  
FIG. 7 is a top, front, left side, perspective view thereof;  
FIG. 8 is a bottom, rear, left side, perspective view thereof;  
FIG. 9 is a top, rear, left side, perspective view thereof; and,  
FIG. 10 is a top, right side, perspective view thereof.

**1 Claim, 3 Drawing Sheets**

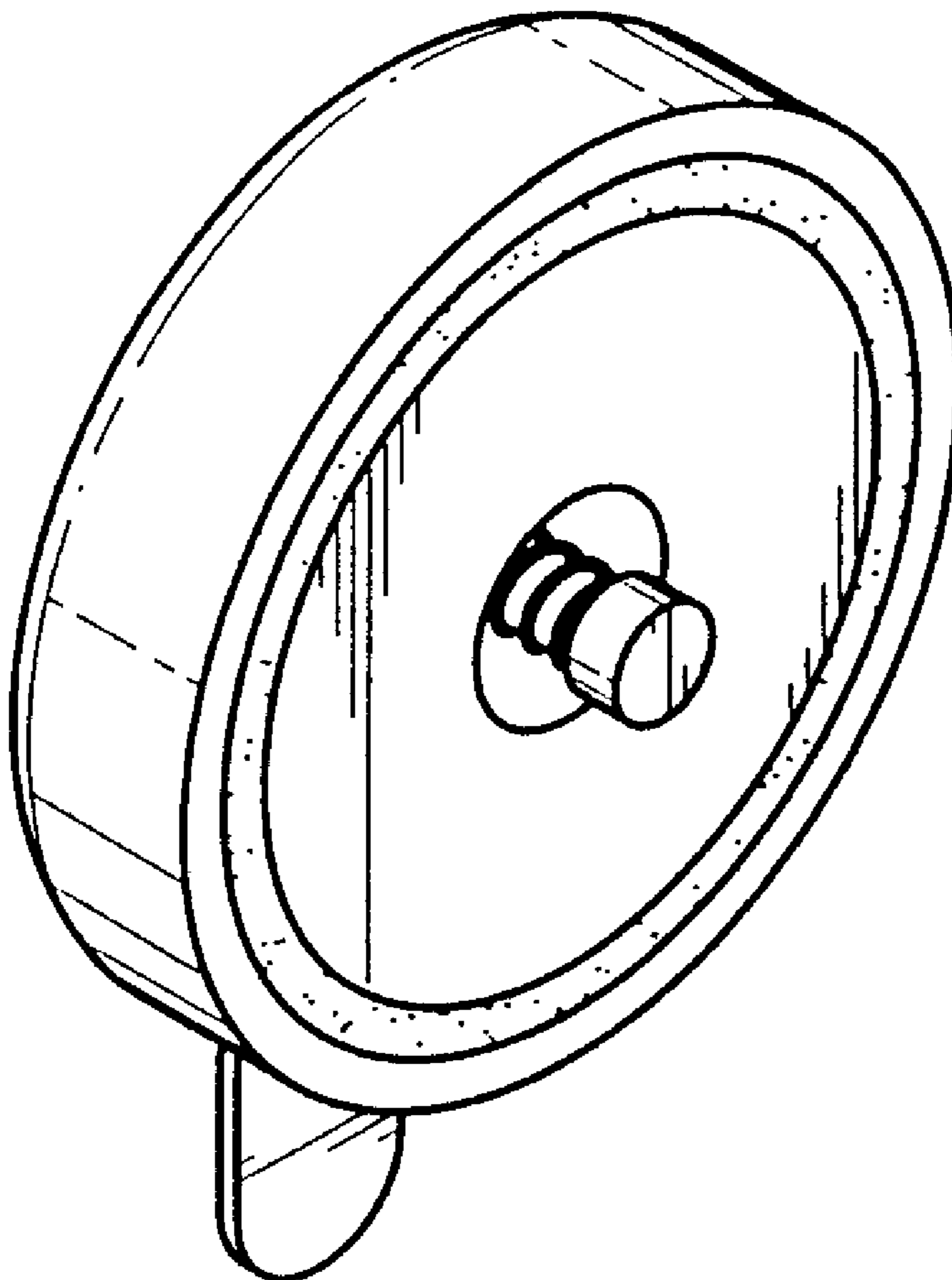


FIG. 1

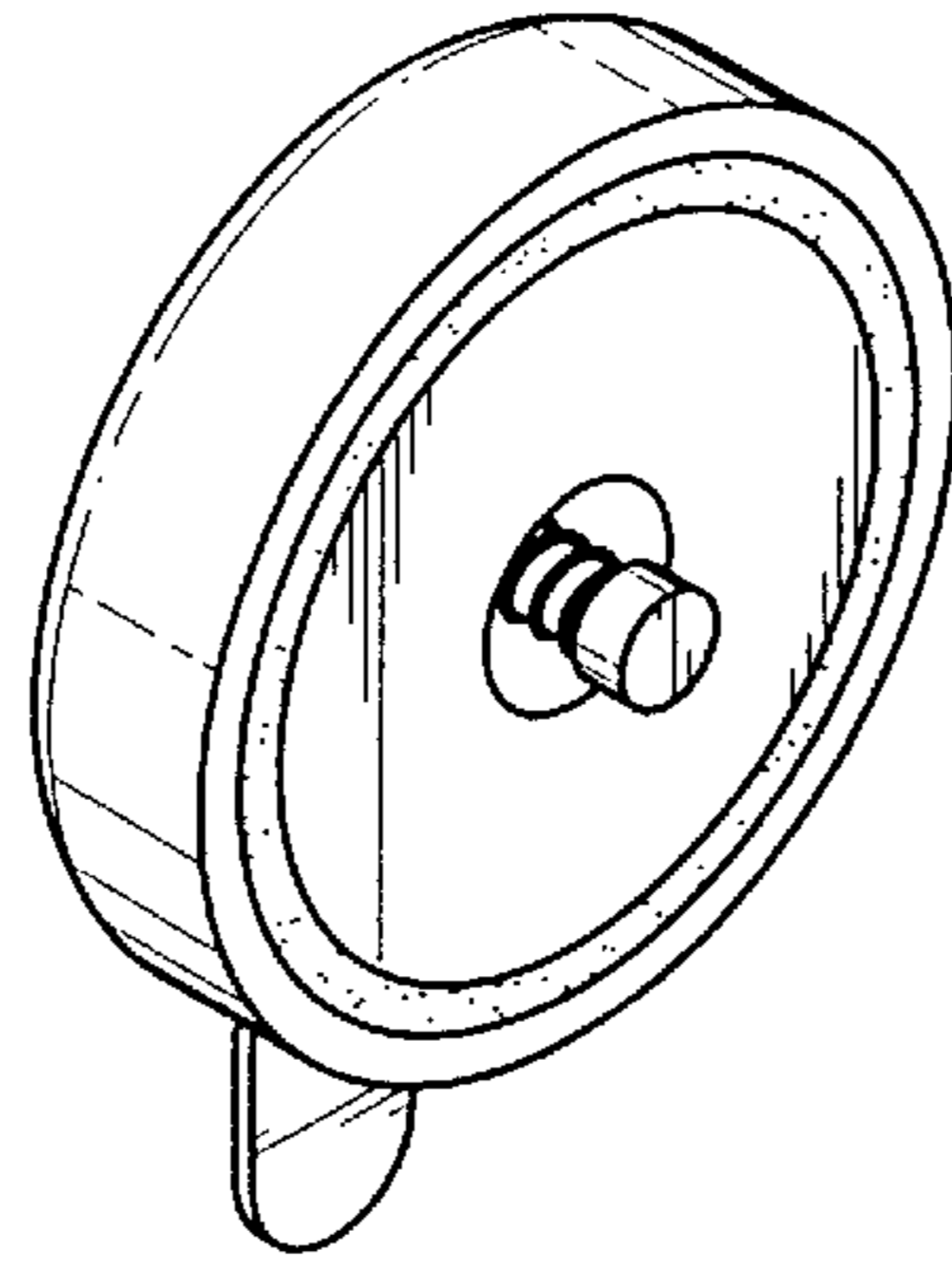


FIG. 2

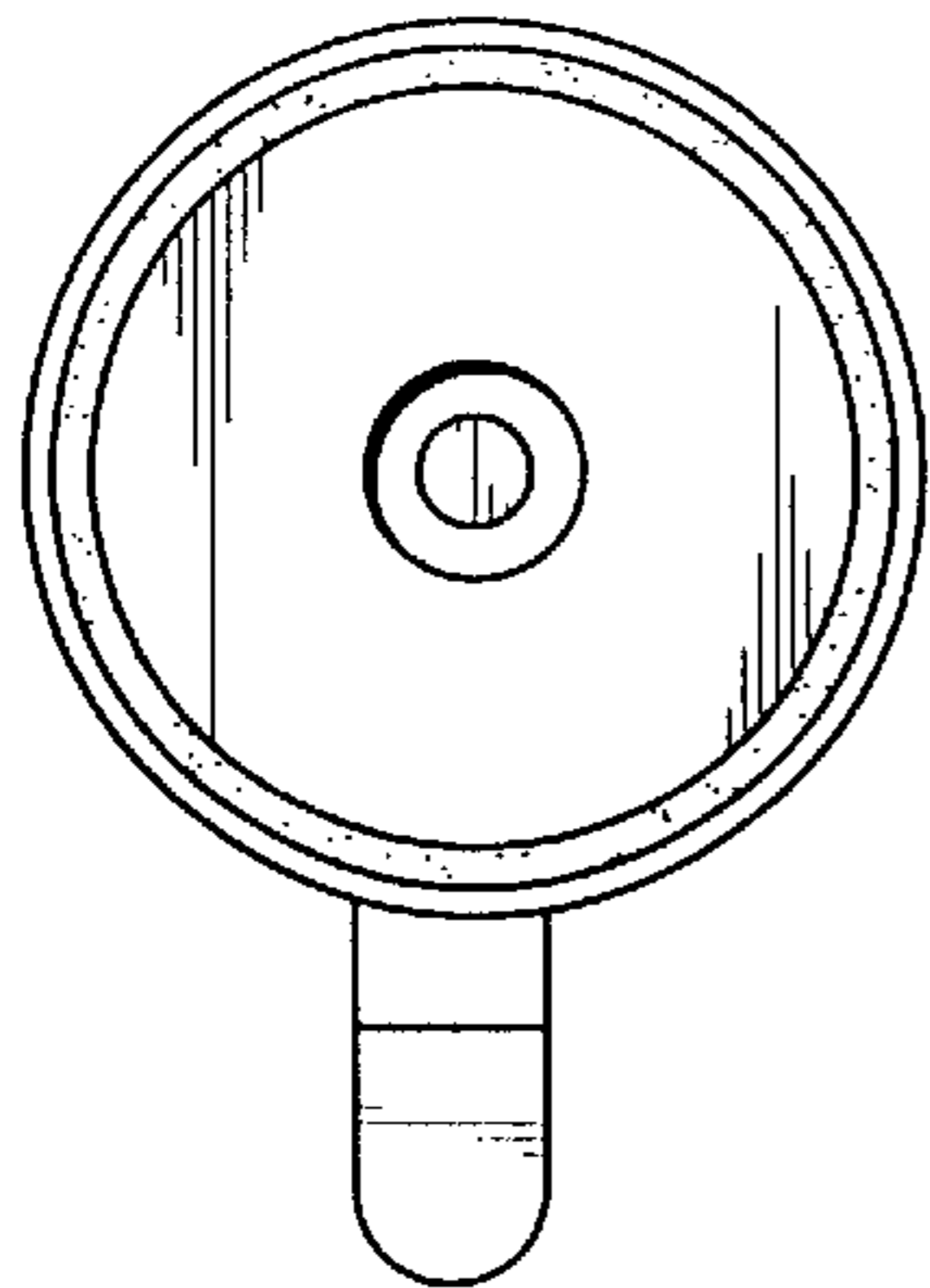


FIG. 3

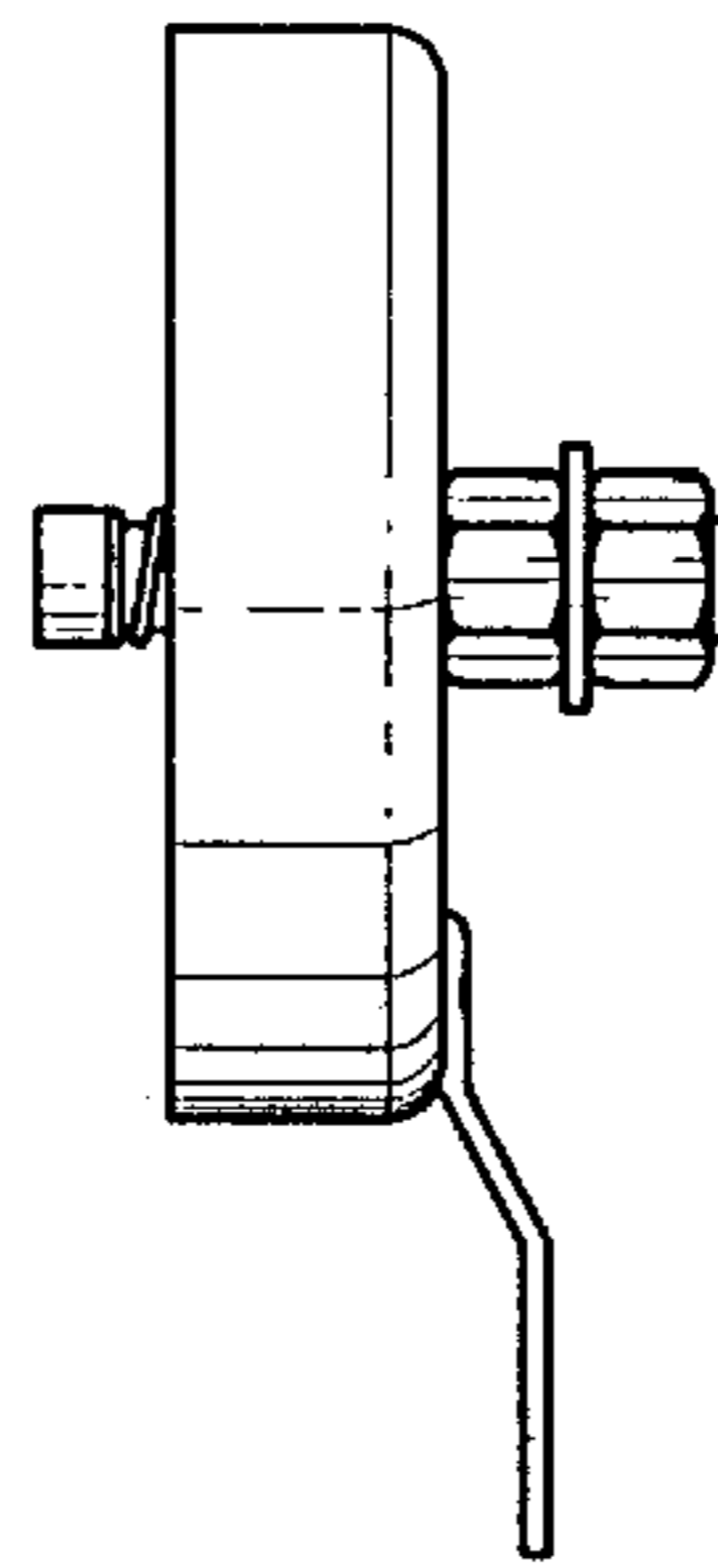


FIG. 4

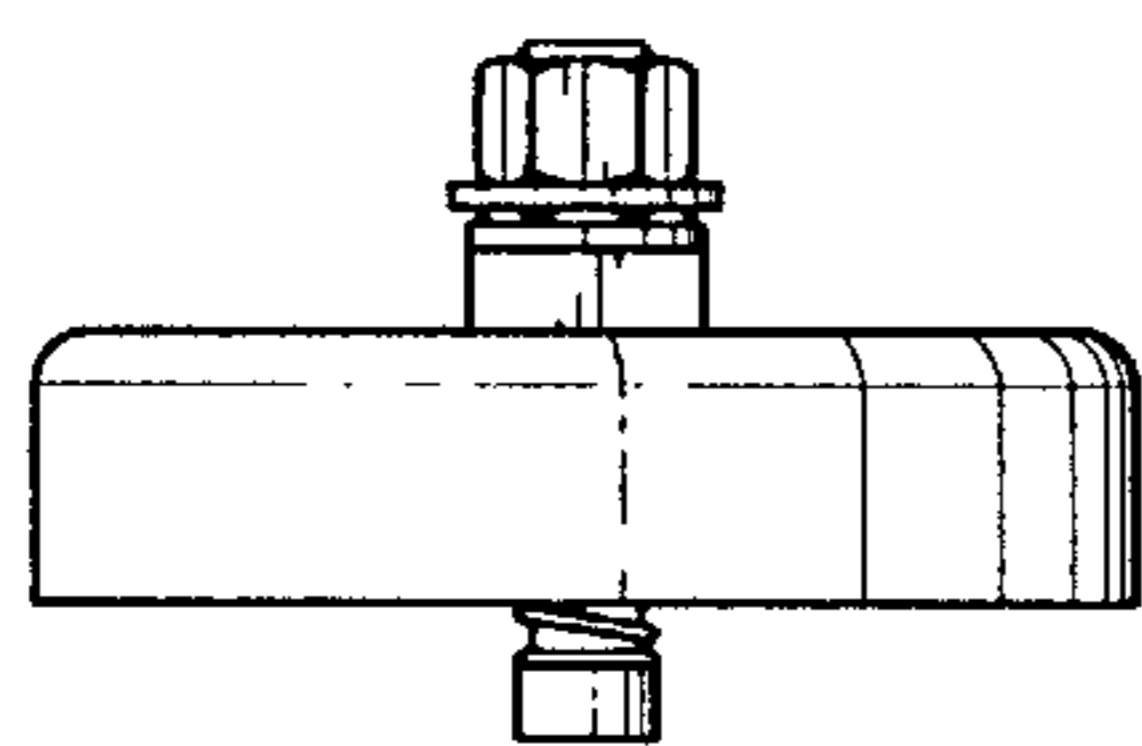
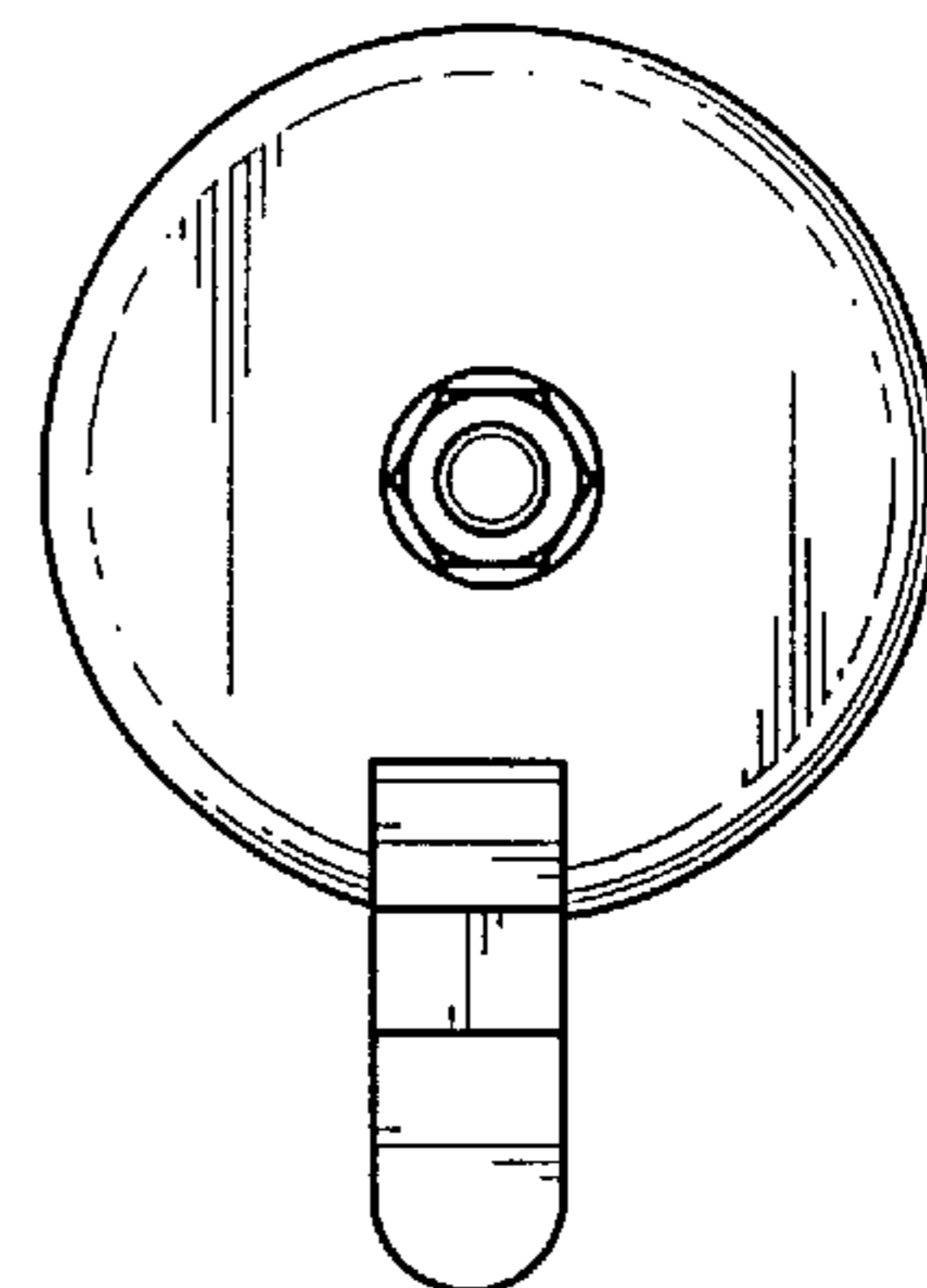


FIG. 5

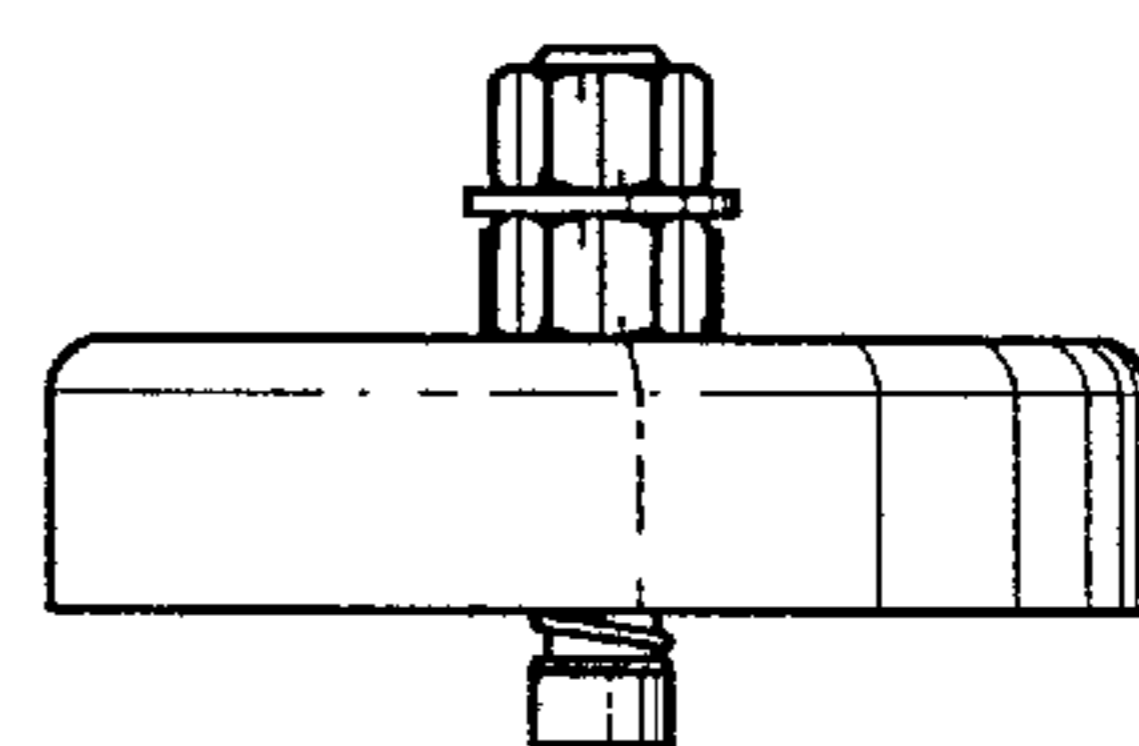


FIG. 6

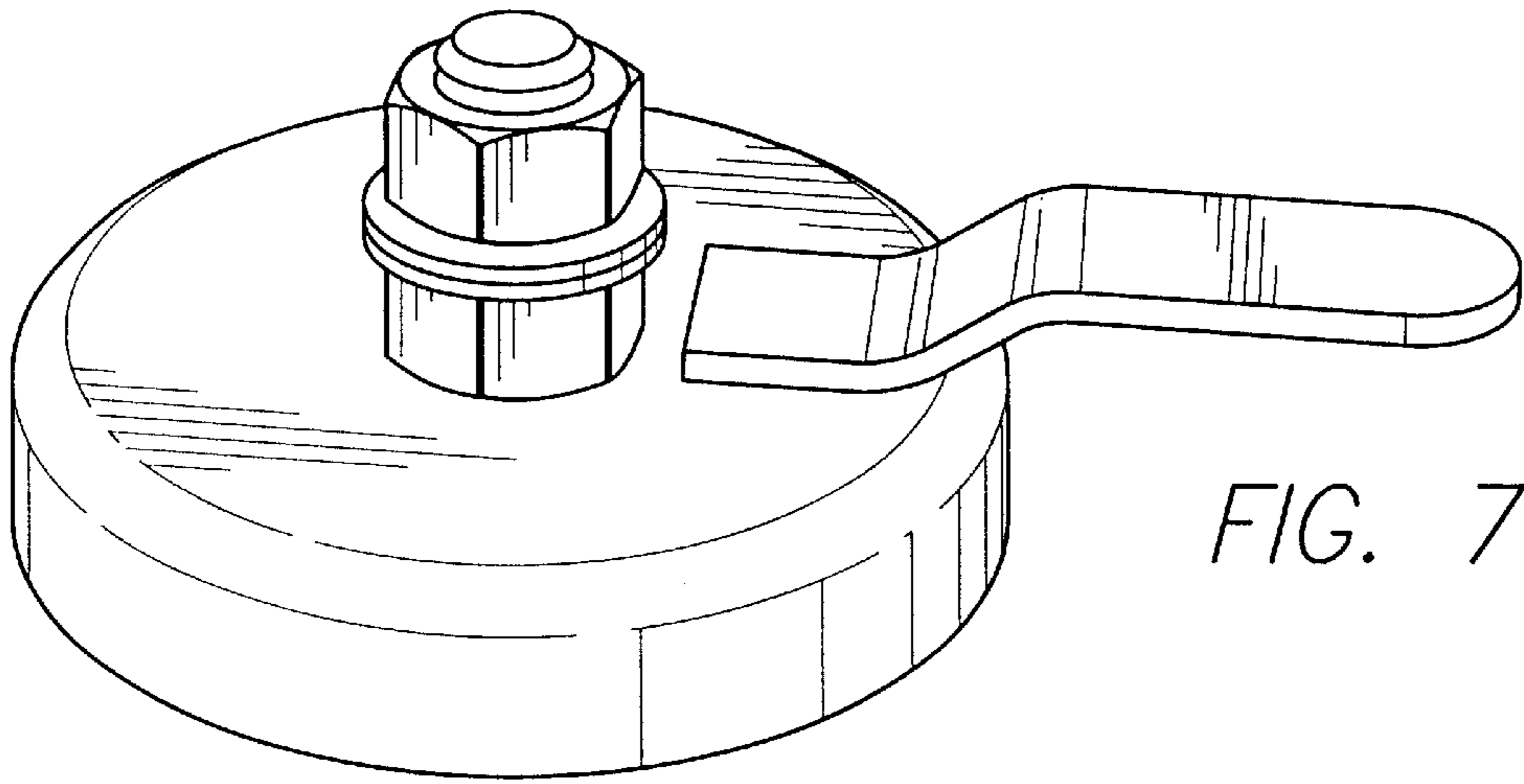


FIG. 7

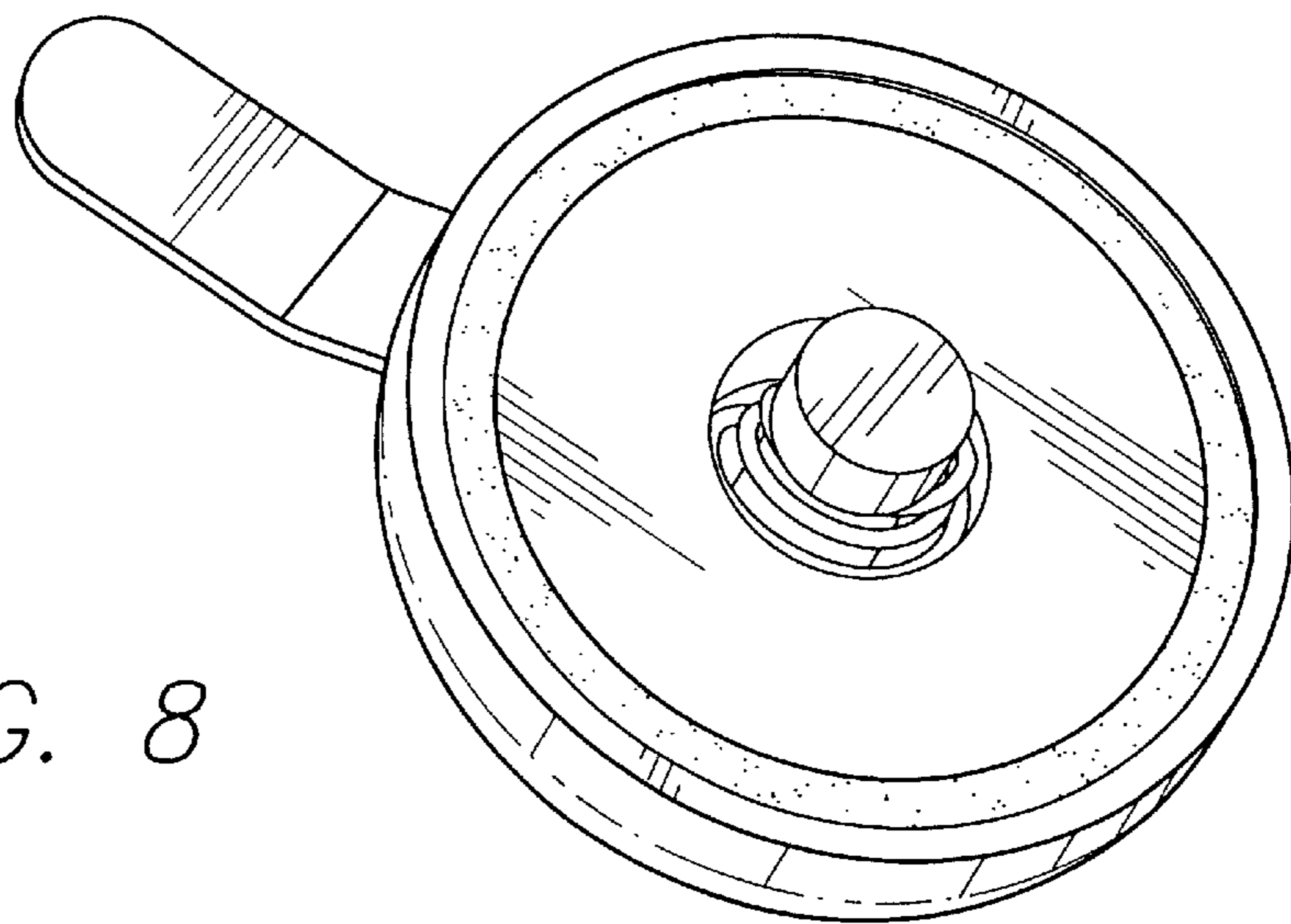


FIG. 8

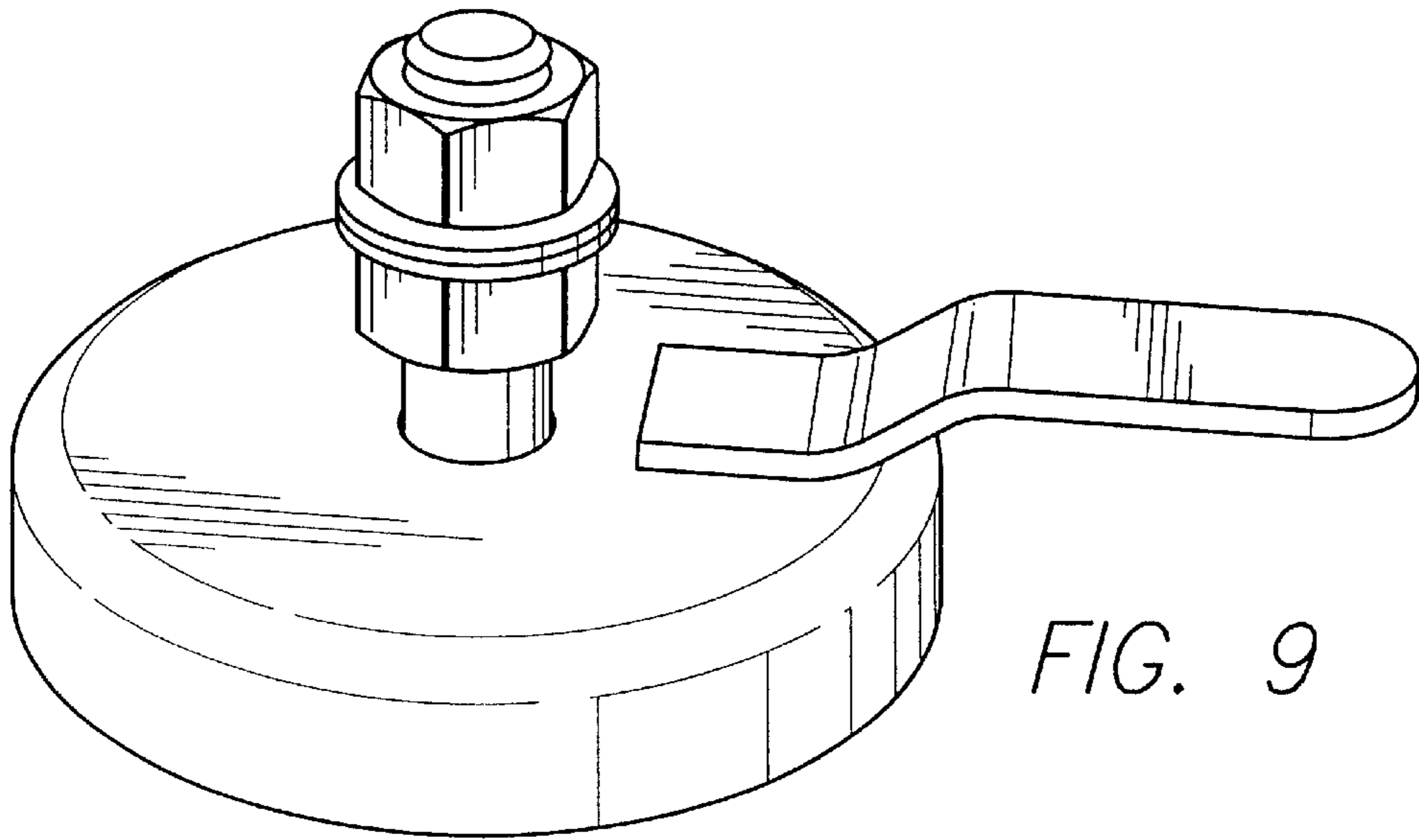


FIG. 9

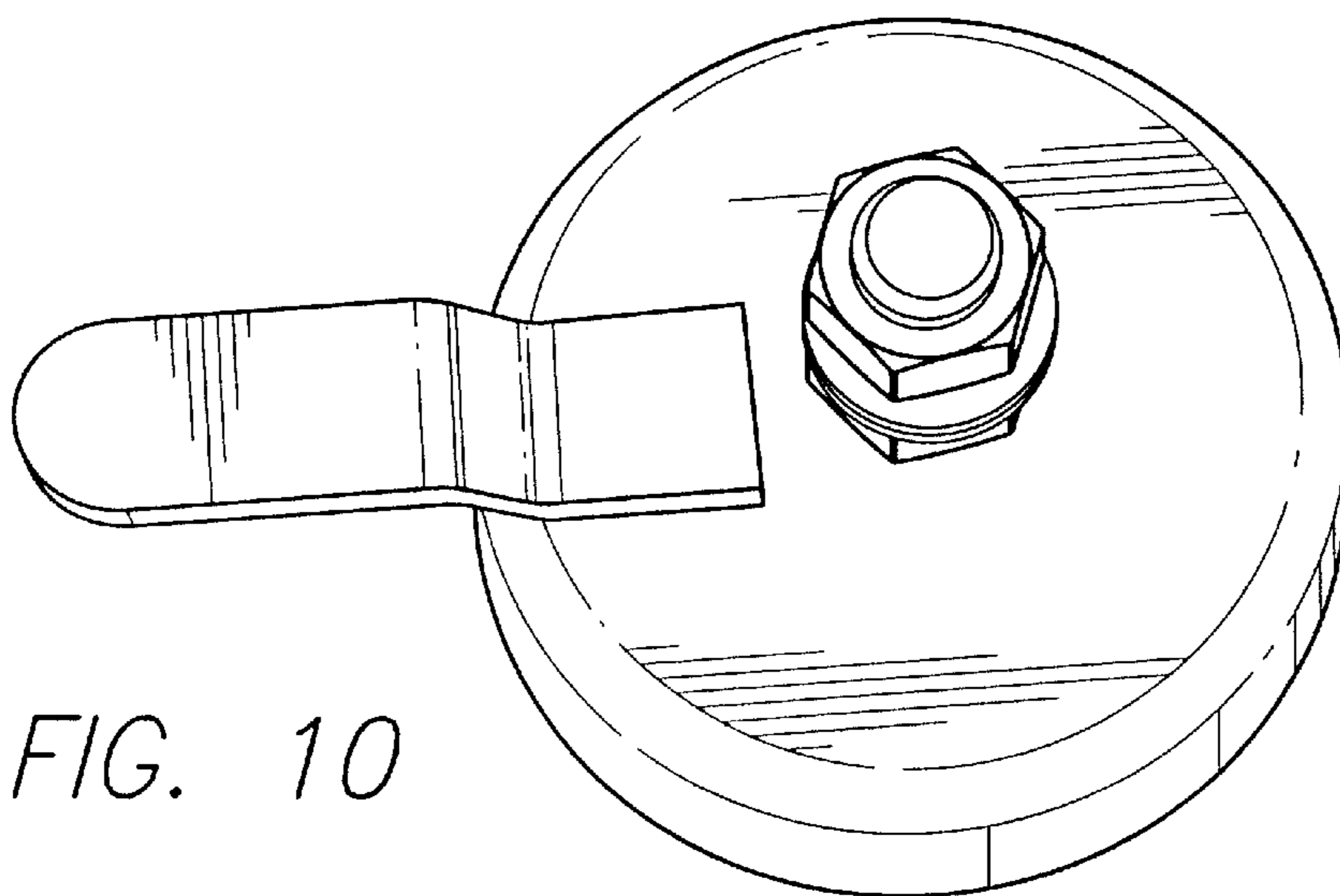


FIG. 10