



US00D479538S

(12) **United States Design Patent**  
**Welsh et al.**

(10) **Patent No.:** **US D479,538 S**  
(45) **Date of Patent:** **\*\* Sep. 9, 2003**

(54) **PORTIONS OF TABLE SAW**

(75) Inventors: **Robert P. Welsh**, Hunt Valley, MD (US); **David E. Duncanson, W.**, Newbury, MA (US); **Mark A. Nichols**, Boston, MA (US); **Scott E. Stropkay**, Carlisle, MA (US)

(73) Assignee: **Black & Decker Inc.**, Newark, DE (US)

(\*\*) Term: **14 Years**

(21) Appl. No.: **29/162,688**

(22) Filed: **Jun. 19, 2002**

**Related U.S. Application Data**

(63) Continuation of application No. 29/144,360, filed on Jun. 29, 2001, now Pat. No. Des. 461,456, which is a continuation of application No. 29/132,607, filed on Nov. 9, 2000, now Pat. No. Des. 447,497, which is a continuation of application No. 29/121,606, filed on Apr. 11, 2000, now Pat. No. Des. 440,239, which is a continuation of application No. 29/111,726, filed on Oct. 1, 1999, now Pat. No. Des. 427,214, which is a continuation of application No. 29/103,366, filed on Apr. 13, 1999, now Pat. No. Des. 422,290.

(51) **LOC (7) Cl.** ..... **15-09**

(52) **U.S. Cl.** ..... **D15/133**

(58) **Field of Search** ..... D15/133; 83/432, 83/435, 468.7, 468.3, 477, 477.2, 478; 144/287

(56) **References Cited**

**U.S. PATENT DOCUMENTS**

D422,290 S \* 4/2000 Welsh et al. .... D15/133

\* cited by examiner

*Primary Examiner*—Antoine Duval Davis  
(74) *Attorney, Agent, or Firm*—Adan Ayala

(57) **CLAIM**

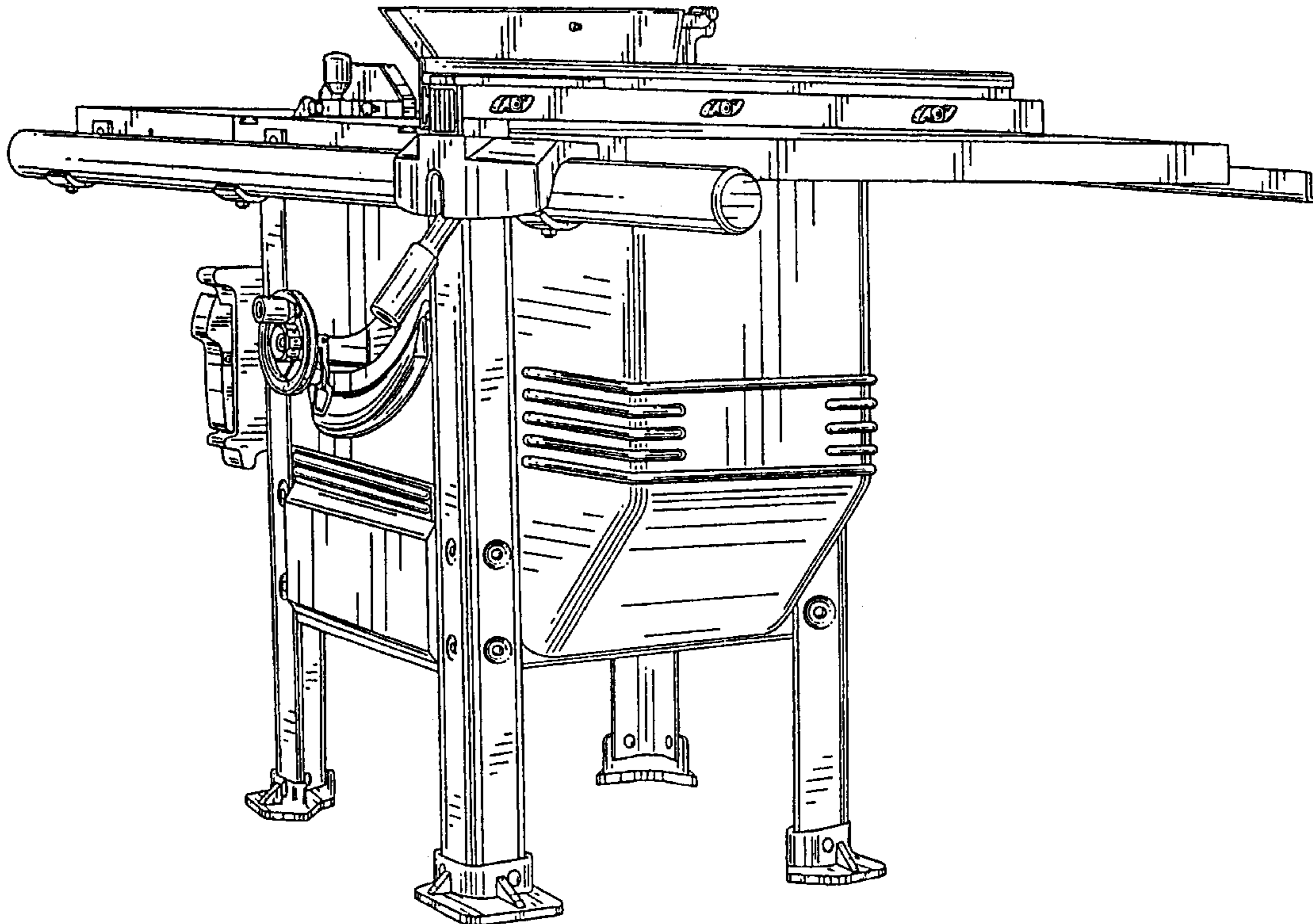
The ornamental design for portions of a table saw, as shown and described.

**DESCRIPTION**

FIG. 1 is a front elevational view of portions of a table saw according to the invention;  
FIG. 2 is a rear elevational view thereof;  
FIG. 3 is a left side elevational view thereof;  
FIG. 4 is a right side elevational view thereof;  
FIG. 5 is a top plan view thereof; and,  
FIG. 6 is a front perspective view thereof.

In the above drawings, any broken line illustration is not part of the design sought to be patented. In addition, any views not shown thereof do not form a part of the invention.

**1 Claim, 6 Drawing Sheets**



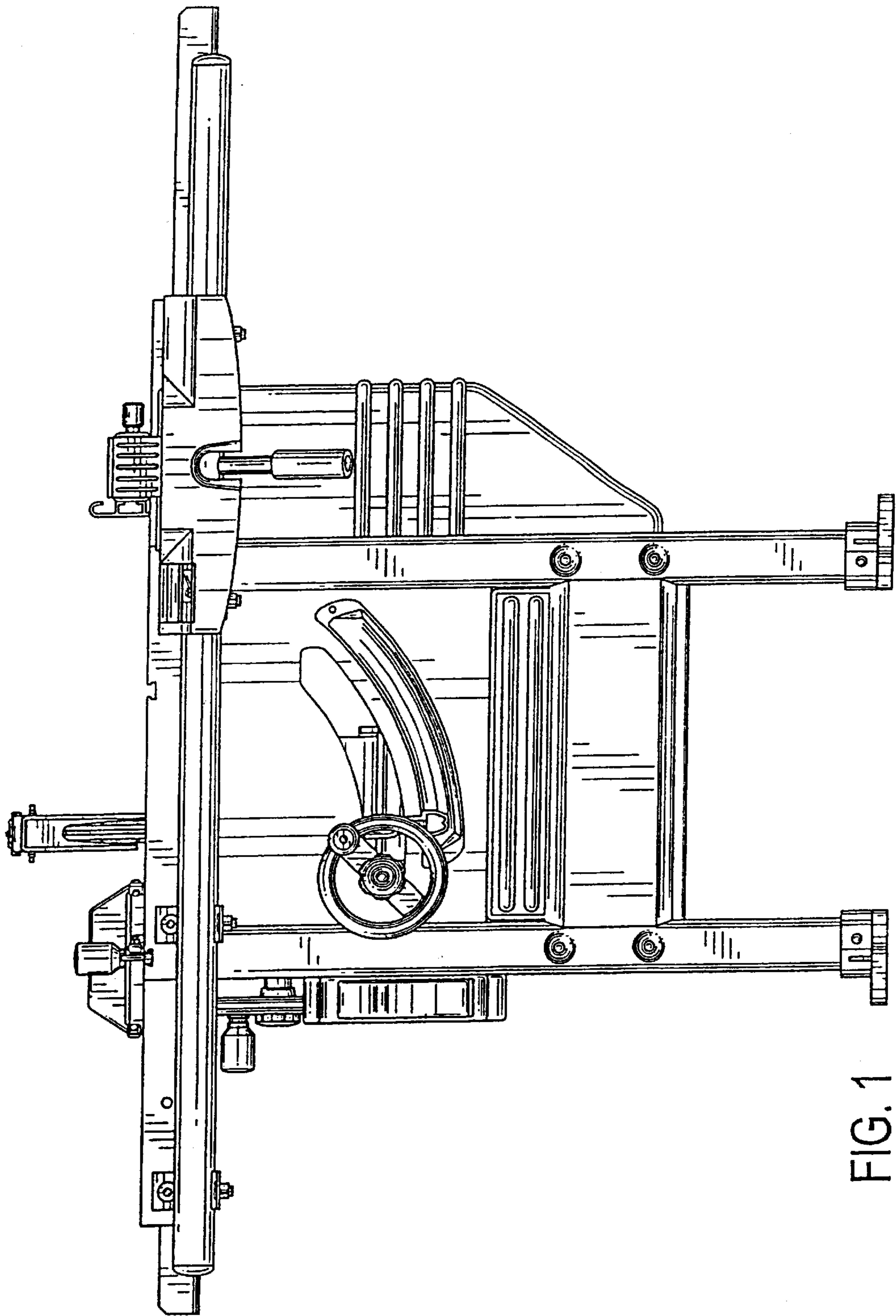


FIG. 1

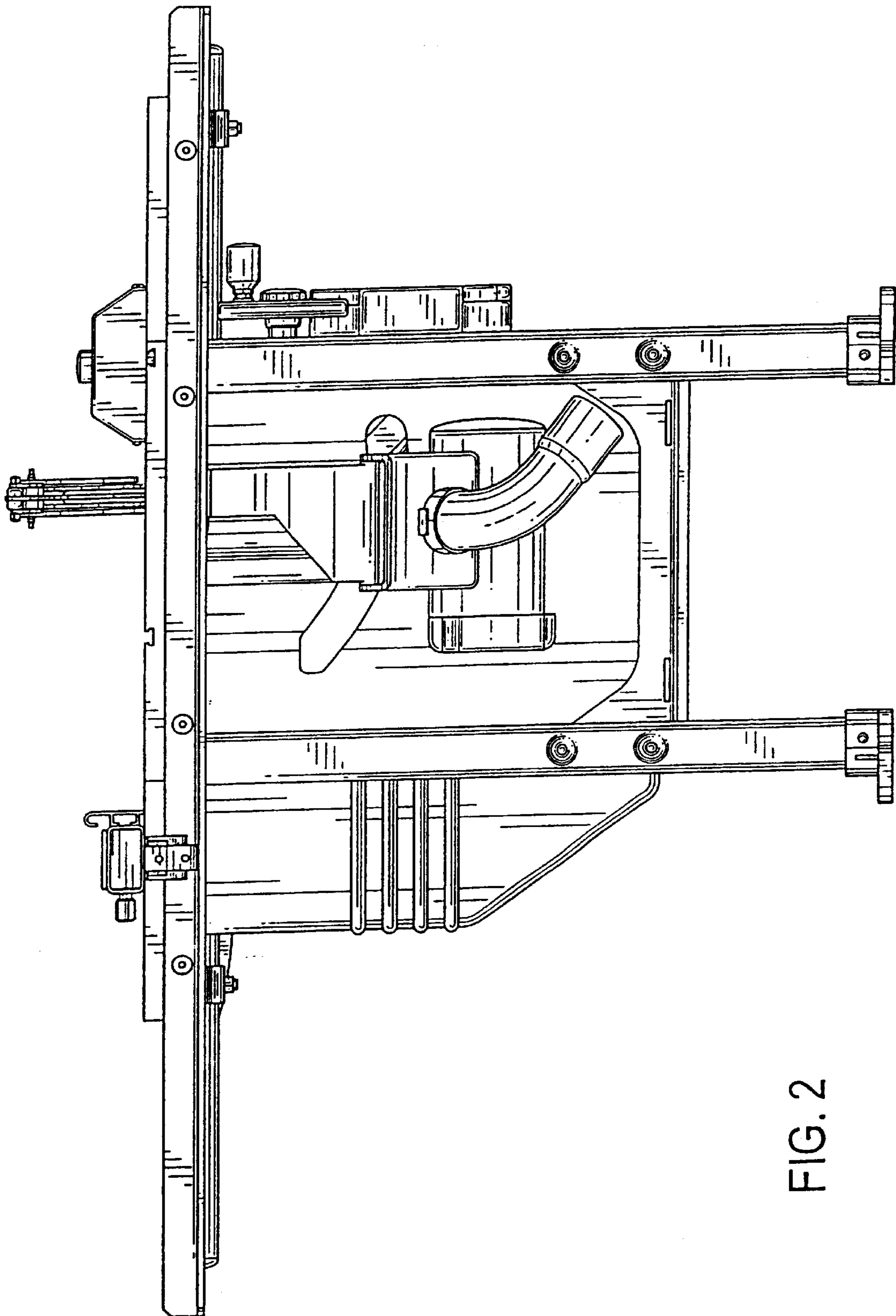


FIG. 2

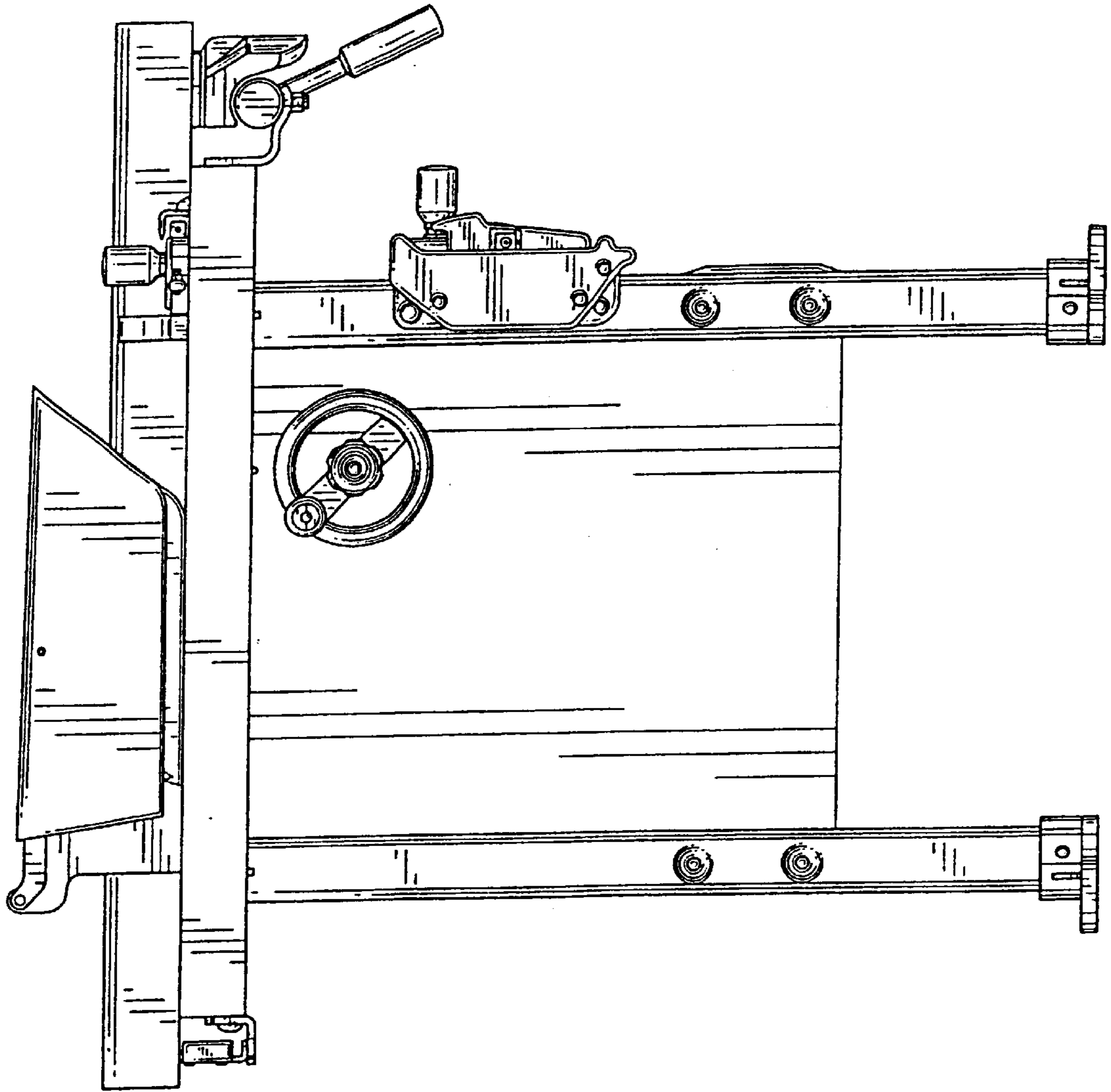


FIG. 3

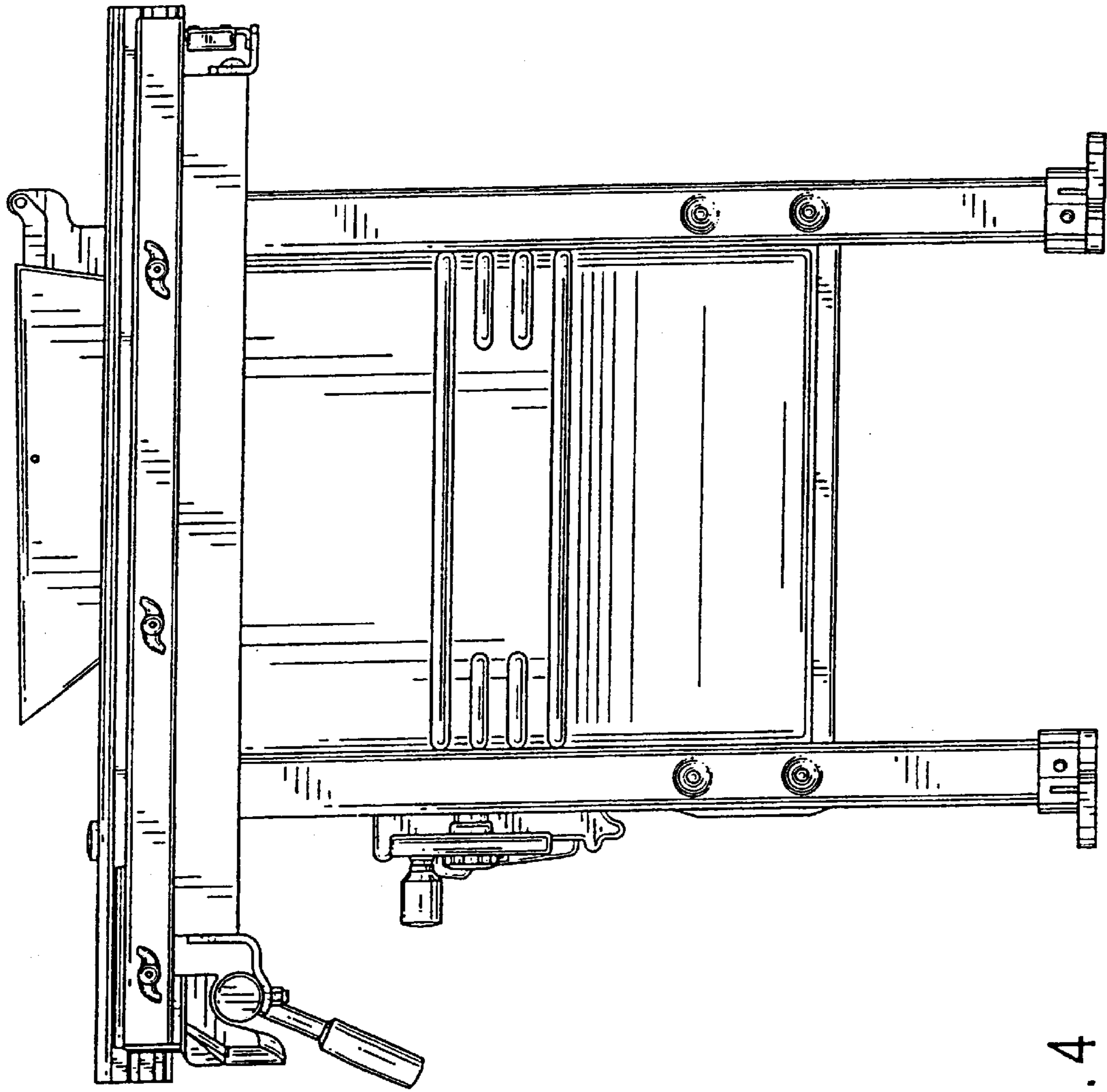


FIG. 4

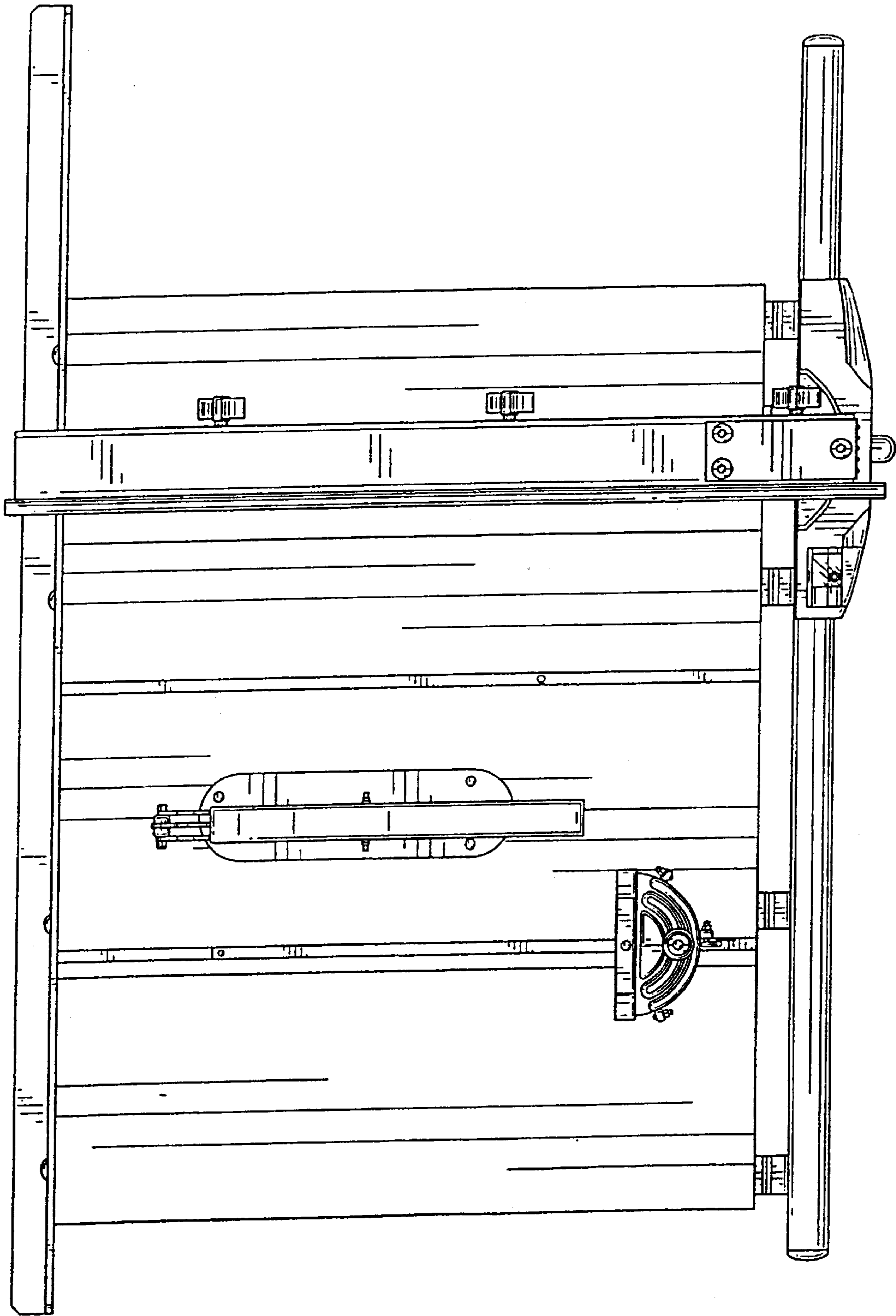


FIG. 5

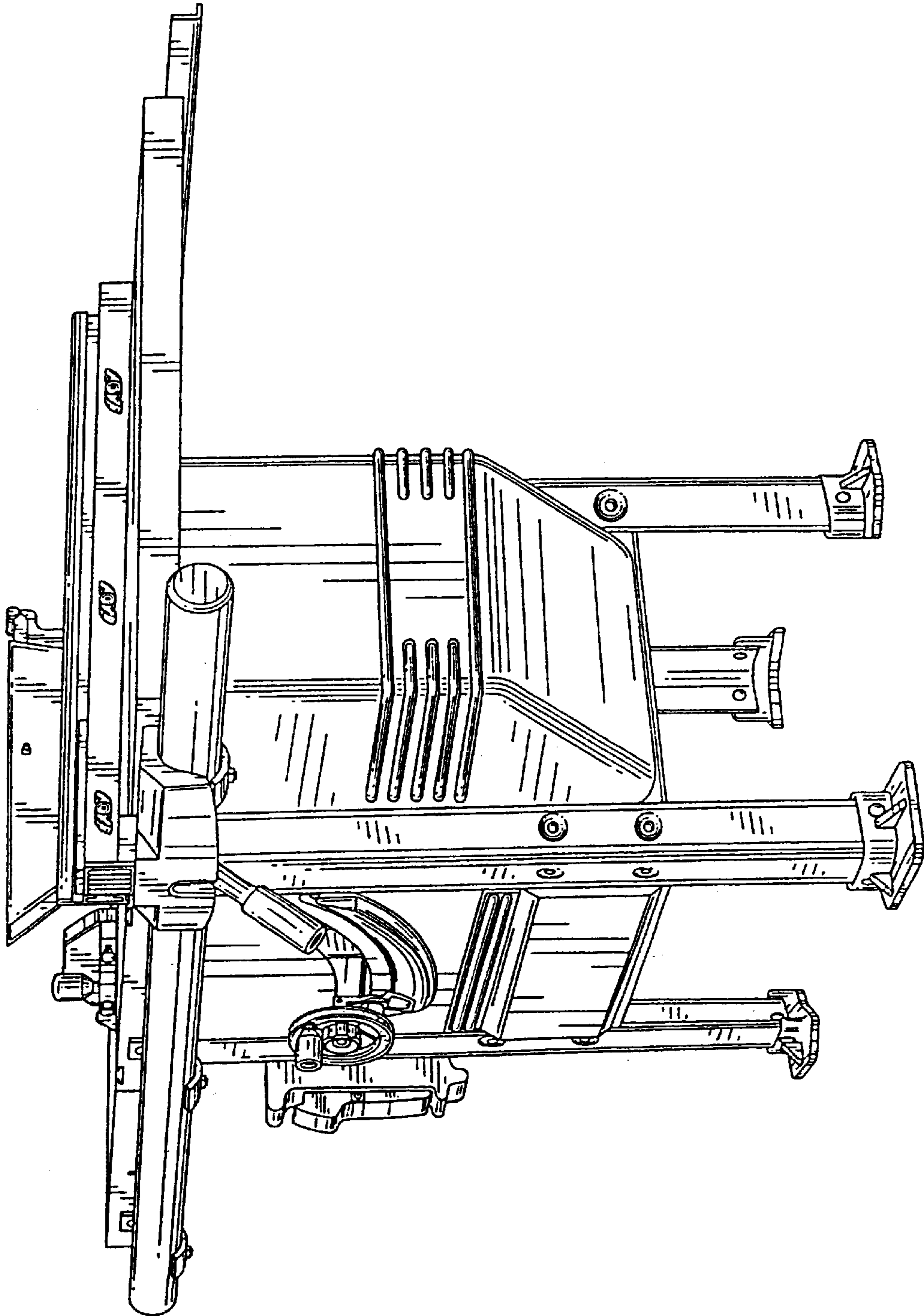


FIG. 6