



US00D479537S

(12) **United States Design Patent**  
**Bodine et al.**

(10) **Patent No.:** **US D479,537 S**  
(45) **Date of Patent:** **\*\* Sep. 9, 2003**

(54) **BEVERAGE CONTAINER RACK**

(75) Inventors: **Darryl C. Bodine**, St. Joseph, MI (US);  
**Wyatt A. Cline**, Niles, MI (US);  
**Kenneth L. Patricio**, Evansville, IN (US);  
**Brian J. Stewart**, Oaktown, IN (US)

(73) Assignee: **Whirlpool Corporation**, Benton Harbor, MI (US)

(\*\*) Term: **14 Years**

(21) Appl. No.: **29/173,436**

(22) Filed: **Dec. 30, 2002**

(51) **LOC (7) Cl.** ..... **15-07**

(52) **U.S. Cl.** ..... **D15/89**

(58) **Field of Search** ..... D15/89, 90, 91;  
D7/704; 220/486, 553; 206/202; 312/405.1,  
321.5; 211/100, 75, 88, 99

(56) **References Cited**

**U.S. PATENT DOCUMENTS**

2,024,436	A	12/1935	Eickmeyer	62/116
2,551,391	A	5/1951	Philipp	62/126
3,652,032	A	3/1972	Eros et al.	248/235
4,300,697	A	* 11/1981	Dickens	220/486
D357,118	S	* 4/1995	Kendrick	D7/704
5,567,029	A	* 10/1996	Haenisch et al.	312/405.1
D382,572	S	* 8/1997	Greenway et al.	D15/89
5,848,534	A	12/1998	Stauffer	62/91

\* cited by examiner

*Primary Examiner*—Mitchell Siegel

(74) *Attorney, Agent, or Firm*—Stephen Krefman; Robert O. Rice; John F. Colligan

(57) **CLAIM**

The ornamental design for a beverage container rack, as shown and described.

**DESCRIPTION**

FIG. 1 is a right front perspective view of the design of the beverage container rack installed on a refrigerator door; FIG. 2 is a front elevational view thereof with the ornamental design not being visible in a rear view.

FIG. 3 is a top plan view thereof;

FIG. 4 is a bottom view thereof;

FIG. 5 is a right side elevational view thereof, the left side elevational view being a mirror image;

FIG. 6 is a front elevational view of the design of the beverage container rack not installed on a refrigerator door;

FIG. 7 is a front elevational view of the design of the beverage container rack as shown in FIG. 6;

FIG. 8 is a rear view of the design of the beverage container rack as shown in FIG. 6;

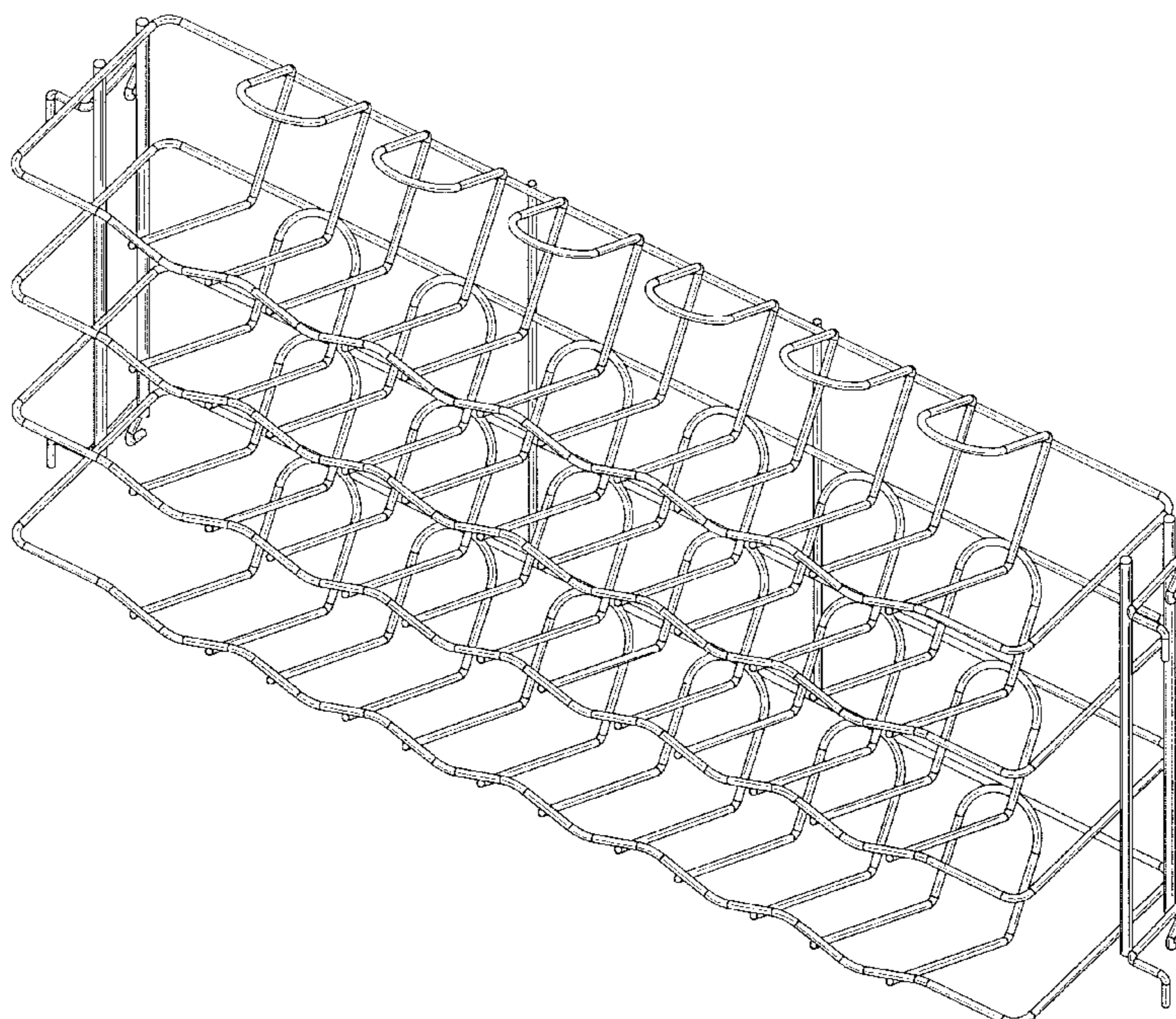
FIG. 9 is a right side elevational view of the design of the beverage container rack as shown in FIG. 6, the left side elevational view being a mirror image;

FIG. 10 is a top view of the design of the beverage container rack as shown in FIG. 6; and,

FIG. 11 is a bottom view of the design of the beverage container rack as shown in FIG. 6.

The broken line showing of a refrigerator in FIGS. 1–5 shows an example of an environmental structure on which the beverage container rack can be installed and is shown for illustrative purposes only forms no part of the claimed design.

**1 Claim, 10 Drawing Sheets**



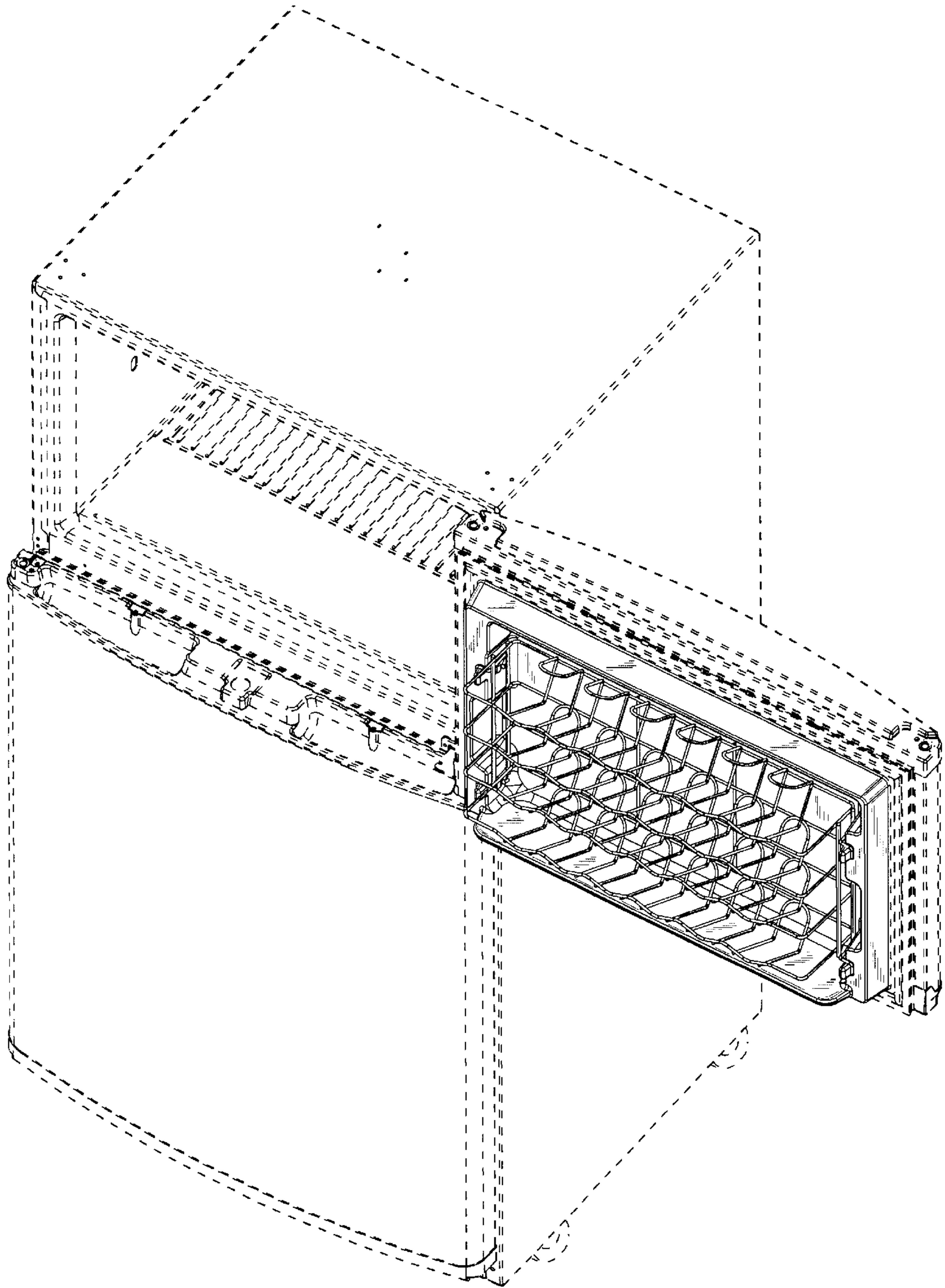


Fig. 1

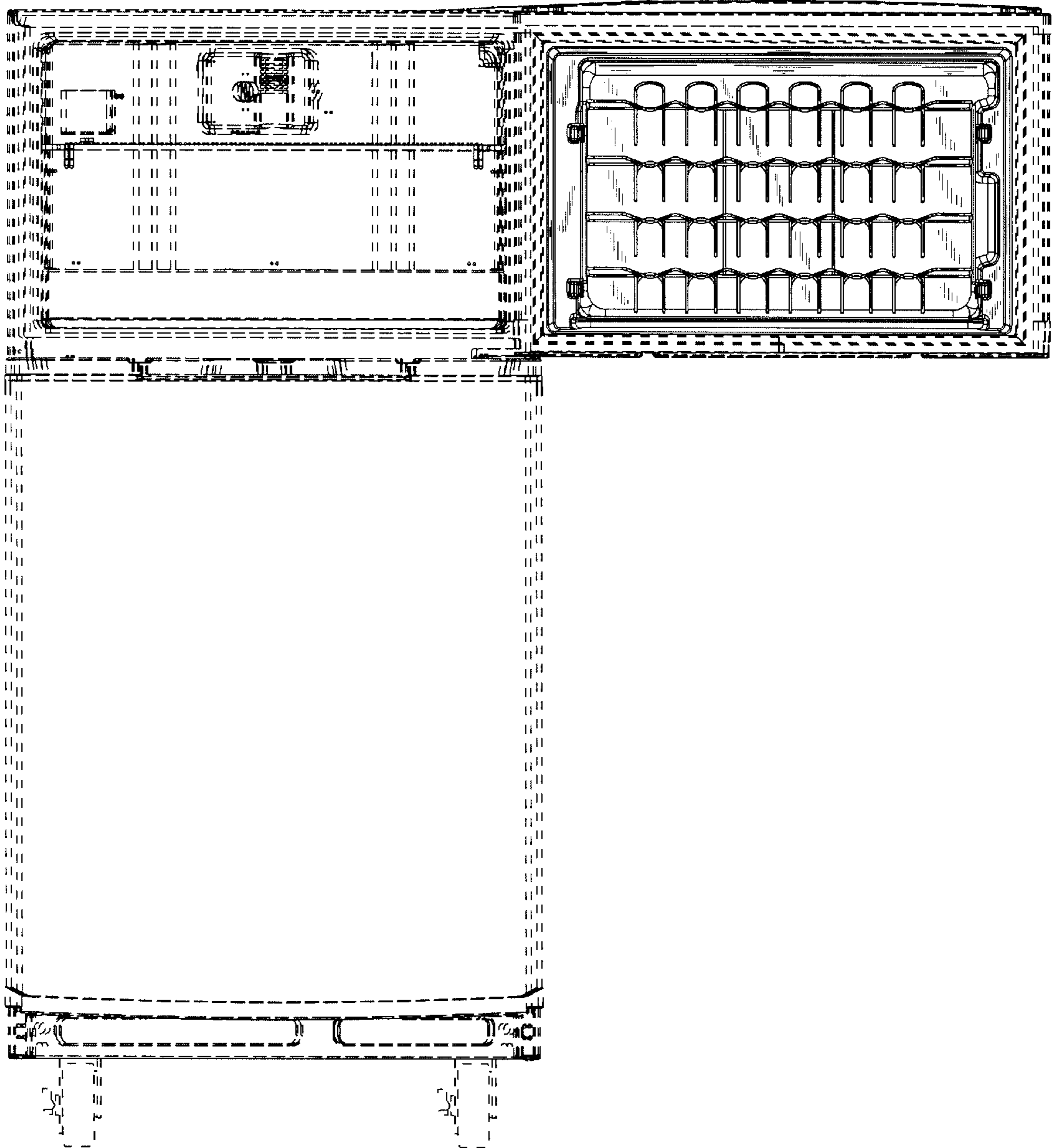


Fig. 2

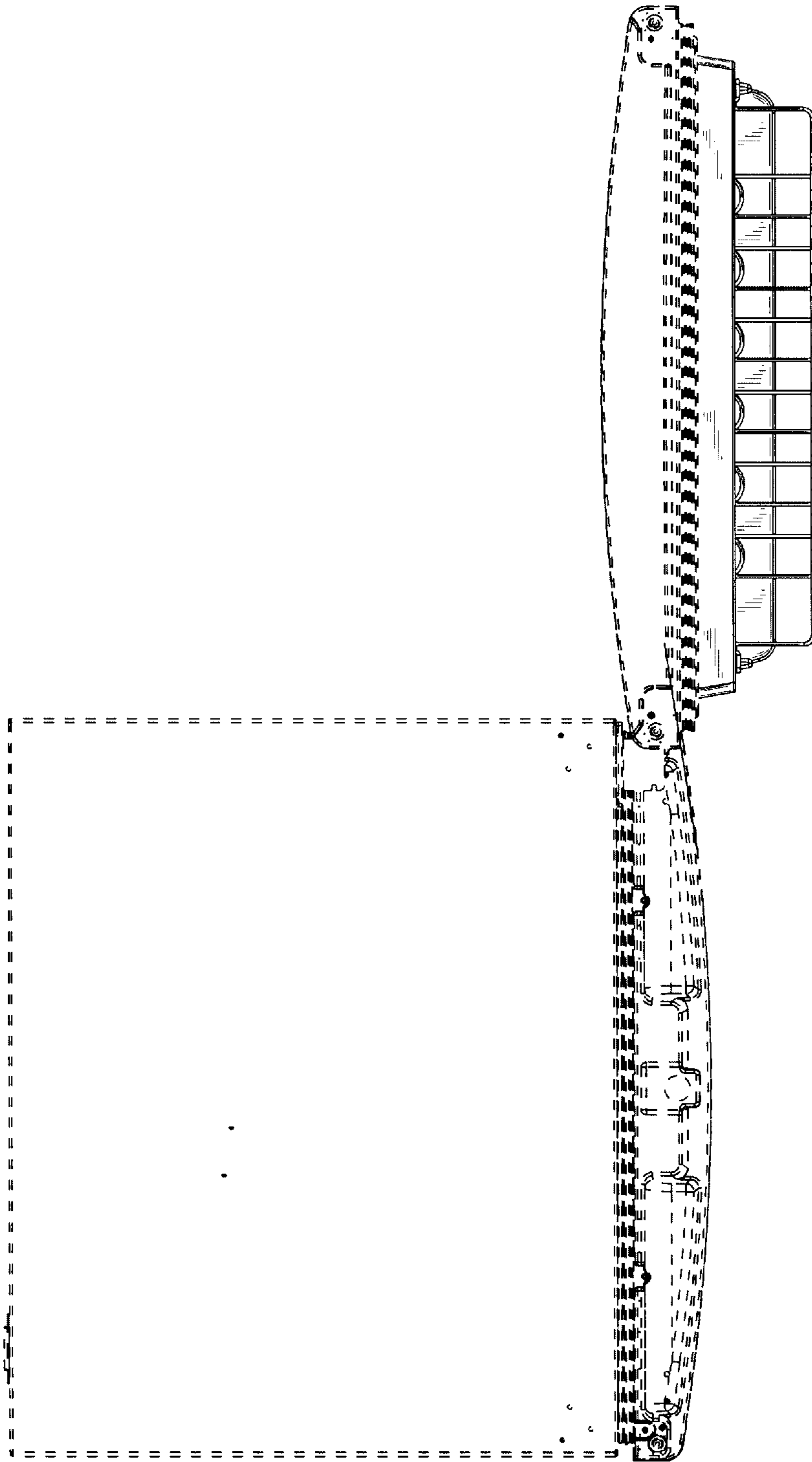


Fig. 3

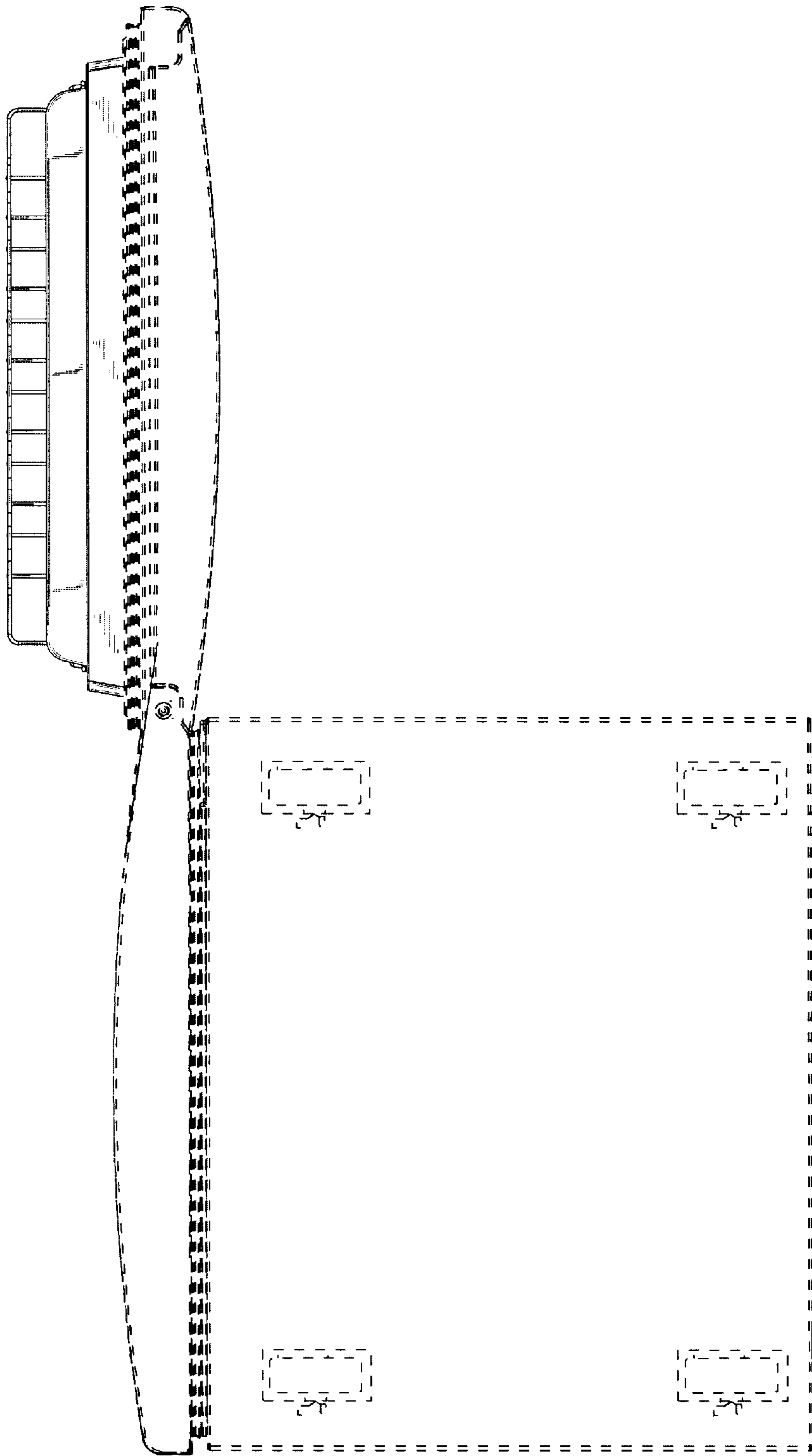


Fig. 4

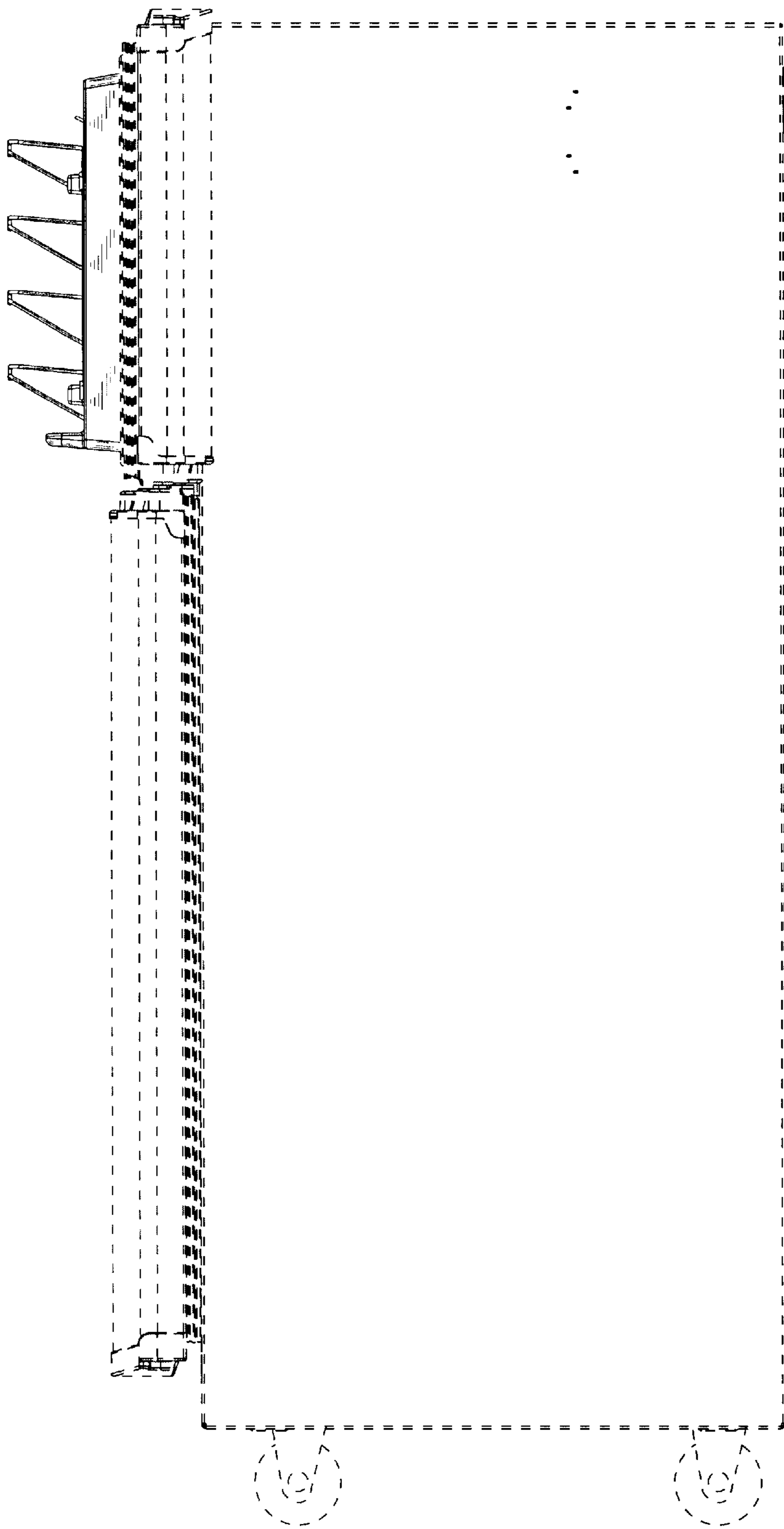


Fig. 5

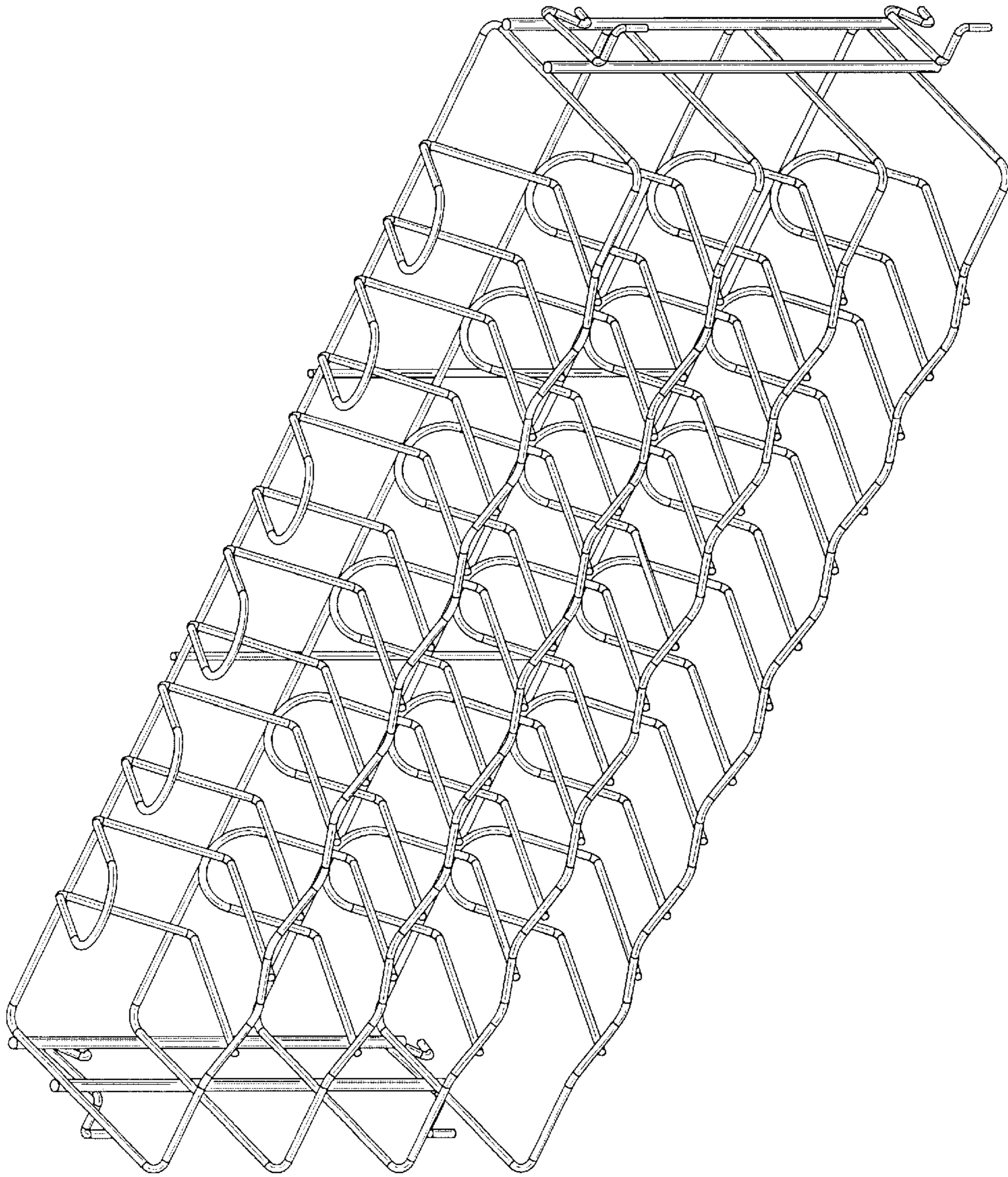


Fig. 6

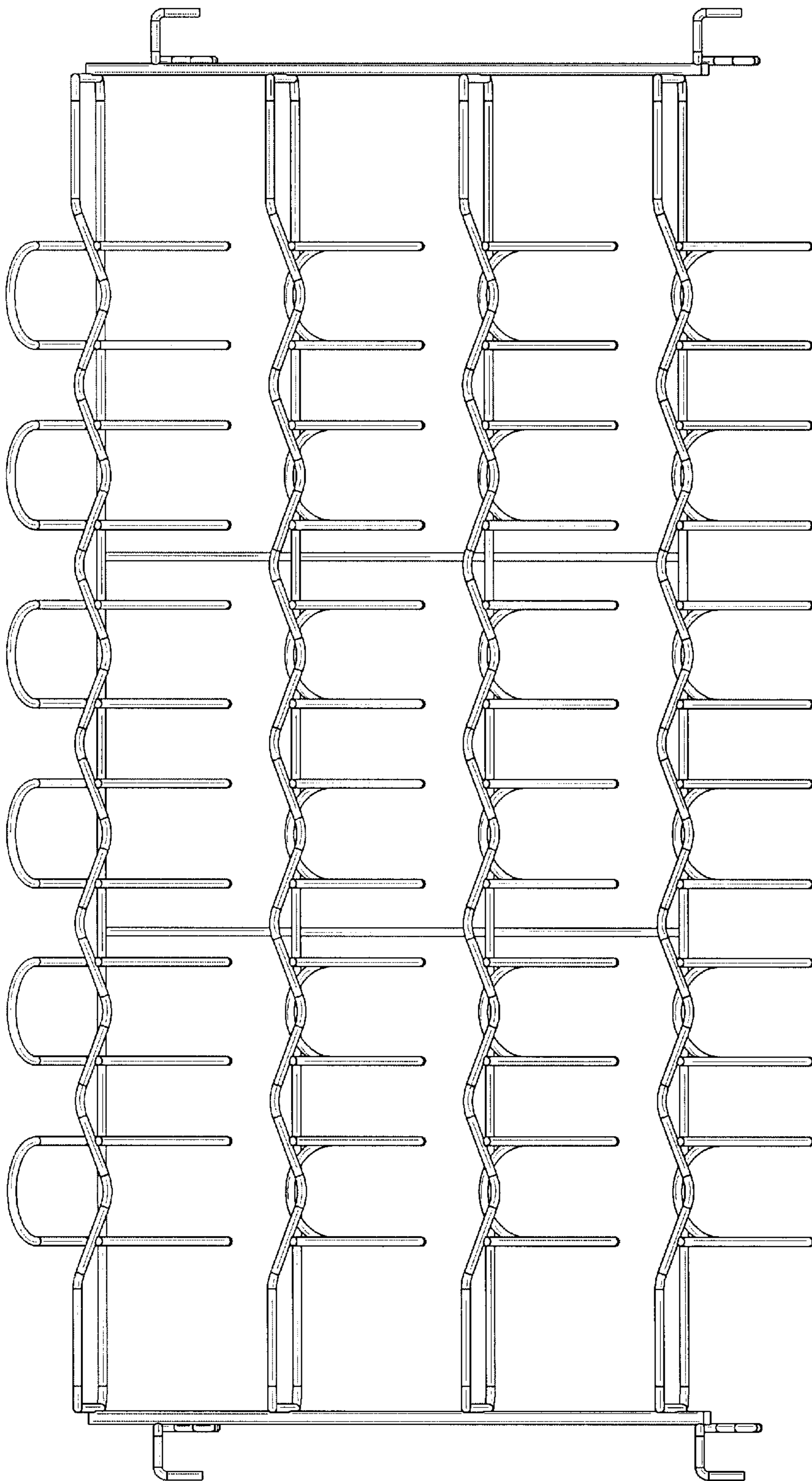


Fig. 7



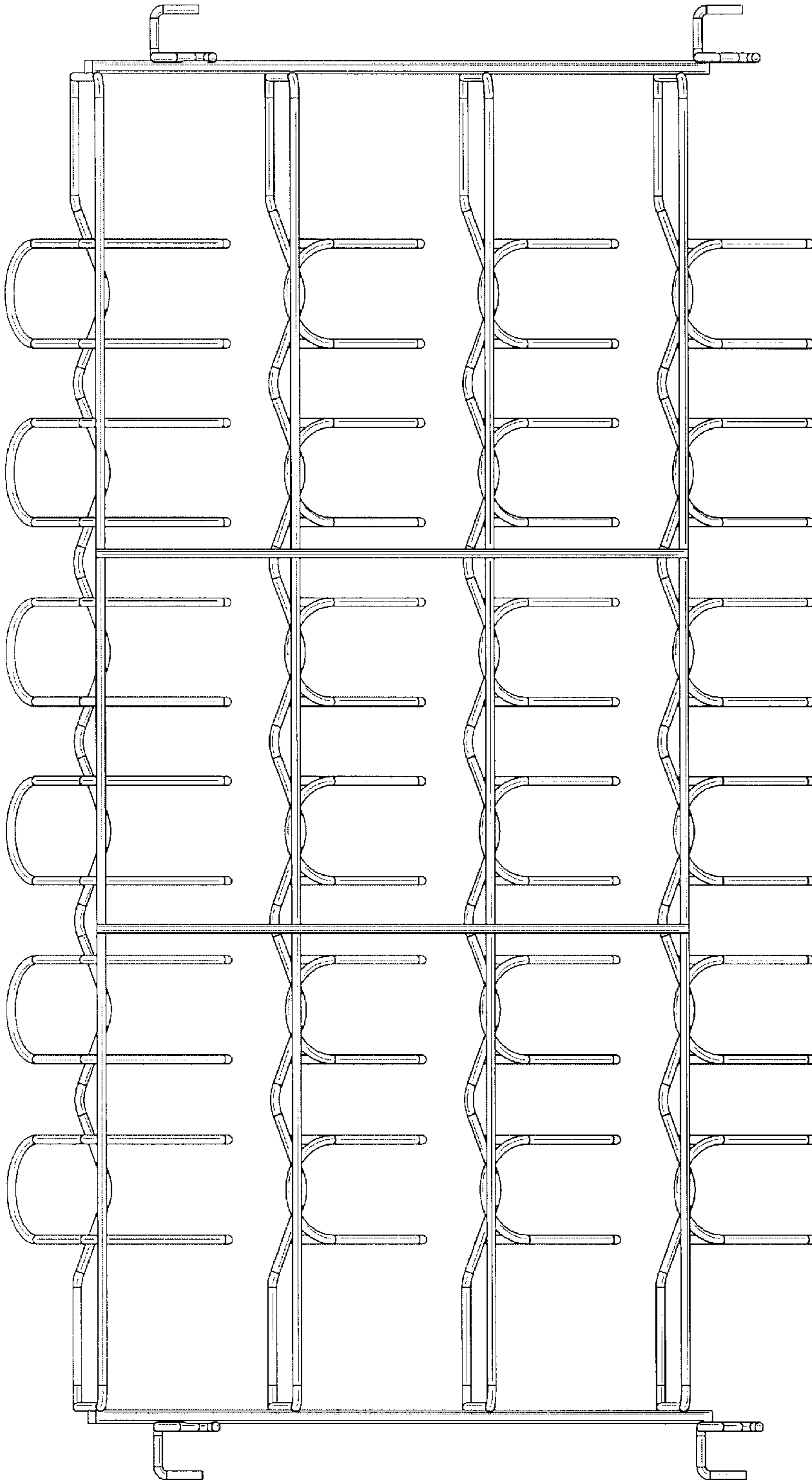


Fig. 8

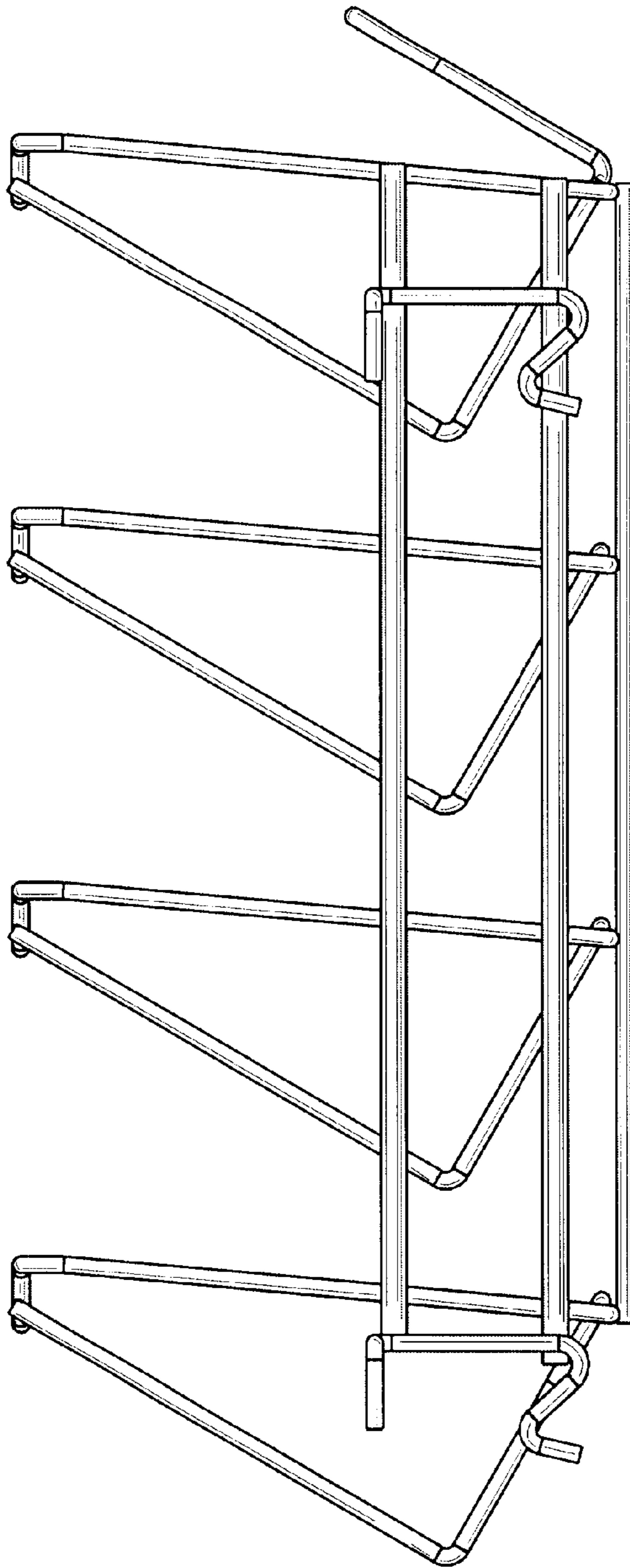


Fig. 9

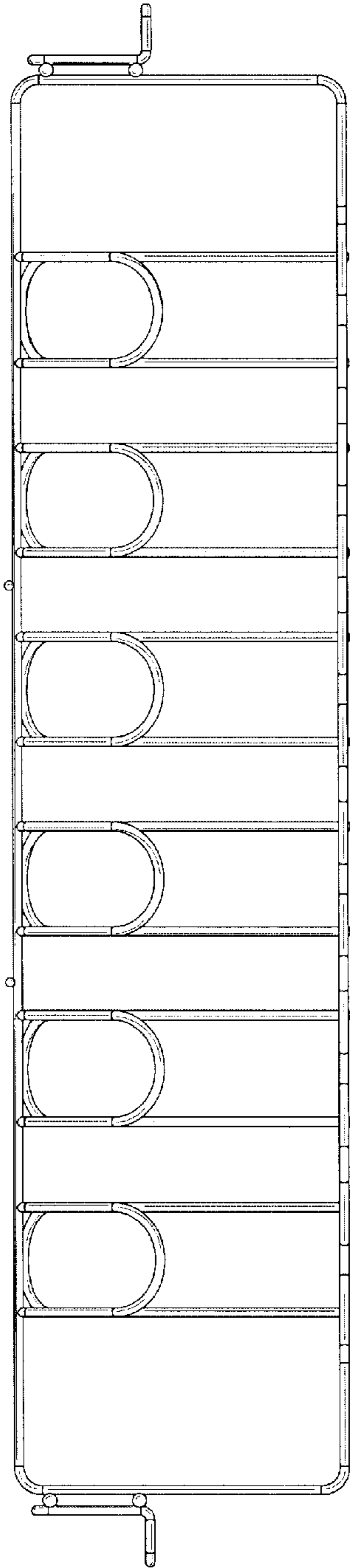


Fig. 10

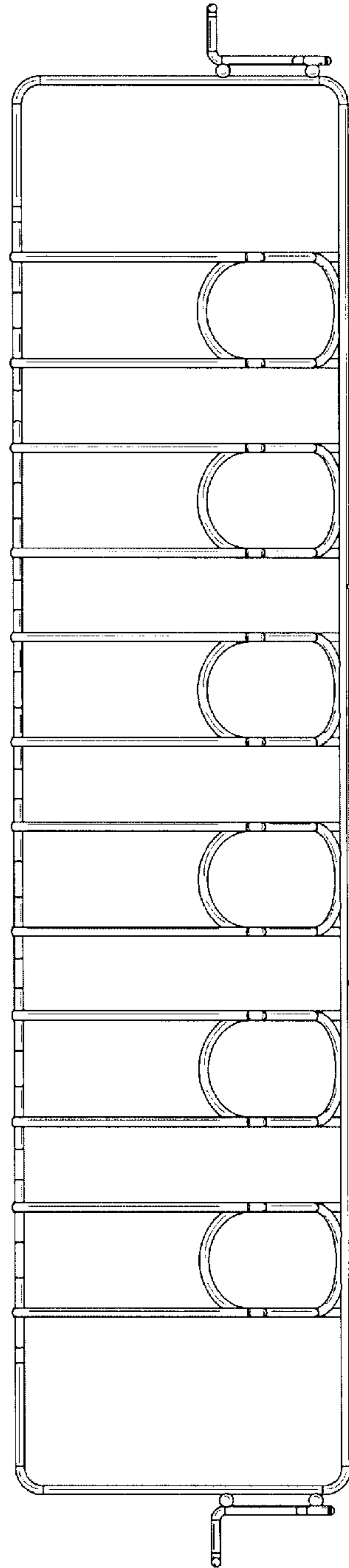


Fig. 11