



US00D479535S

(12) **United States Design Patent**  
**Lange**

(10) **Patent No.:** **US D479,535 S**

(45) **Date of Patent:** **\*\* Sep. 9, 2003**

(54) **COMPACT UTILITY LOADER**

D470,512 S \* 2/2003 Miller et al. .... D15/22

(75) Inventor: **Kenneth J. Lange**, Yorktown (CA)

\* cited by examiner

(73) Assignee: **Leon's Mfg. Company Inc.**,  
Saskatchewan (CA)

*Primary Examiner*—Mitchell Siegel

(74) *Attorney, Agent, or Firm*—Selitto, Behr & Kim

(\*\*) Term: **14 Years**

(57) **CLAIM**

The ornamental design for a compact utility loader, as shown.

(21) Appl. No.: **29/167,140**

(22) Filed: **Sep. 10, 2002**

**DESCRIPTION**

(30) **Foreign Application Priority Data**

Mar. 15, 2002 (CA) ..... 98931

(51) **LOC (7) Cl.** ..... **12-09**

(52) **U.S. Cl.** ..... **D15/25**

(58) **Field of Search** ..... D15/10, 22-26;  
180/89.1, 89.12; 37/421, 422; 414/680,  
685, 748

FIG. 1 is a three-quarter perspective view from the right front corner of the design;

FIG. 2 is a right side elevation view of the design;

FIG. 3 is a left side elevation view of the design;

FIG. 4 is a front elevation view of the design;

FIG. 5 is a perspective view from the left front corner of the design, showing a variant thereof;

FIG. 6 is a right side elevation view of the design shown in FIG. 5;

FIG. 7 is a left side elevation view of the design shown in FIG. 5;

FIG. 8 is a front elevation view of the design shown in FIG. 5; and,

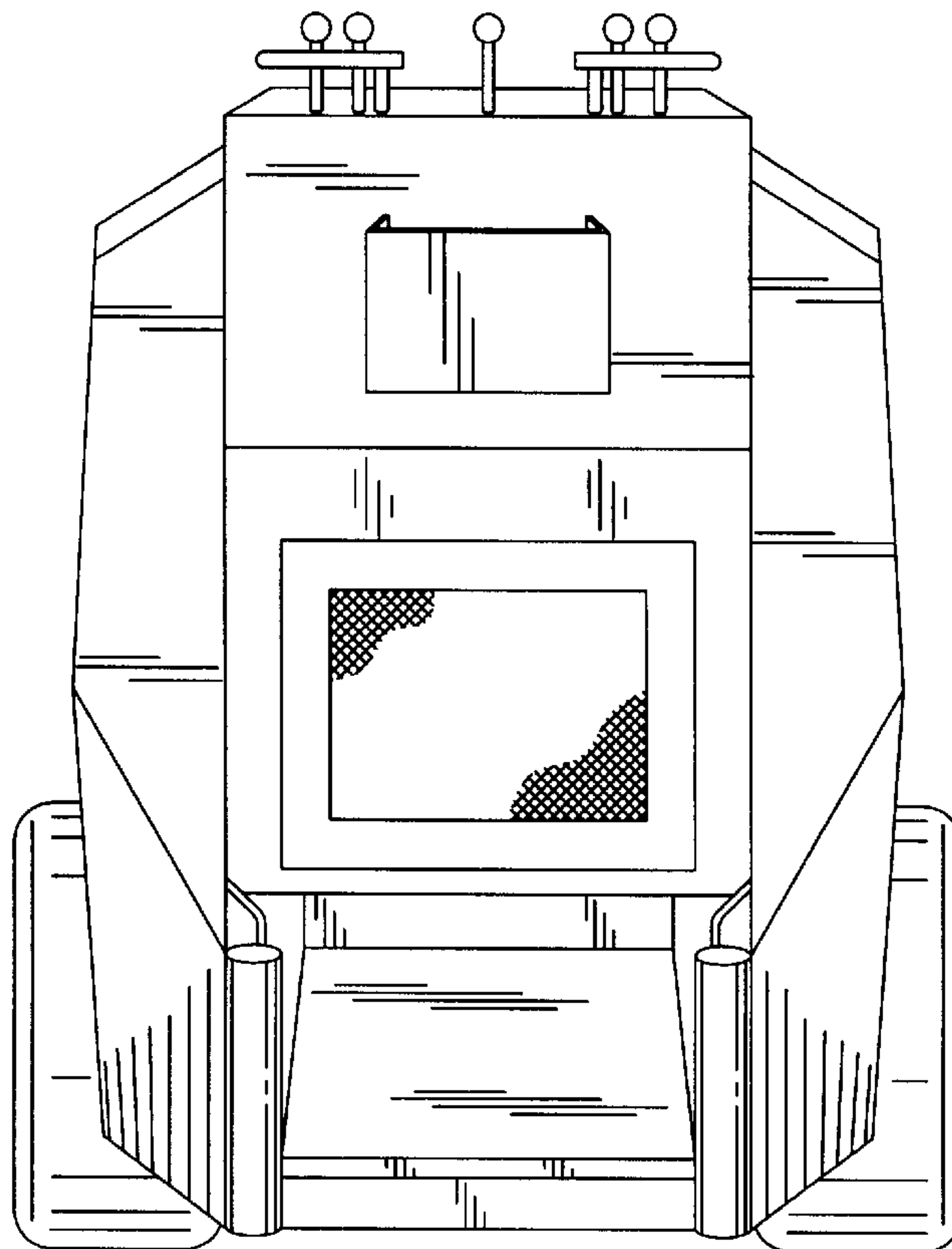
FIG. 9 is a rear elevation view of the design shown in FIG. 5.

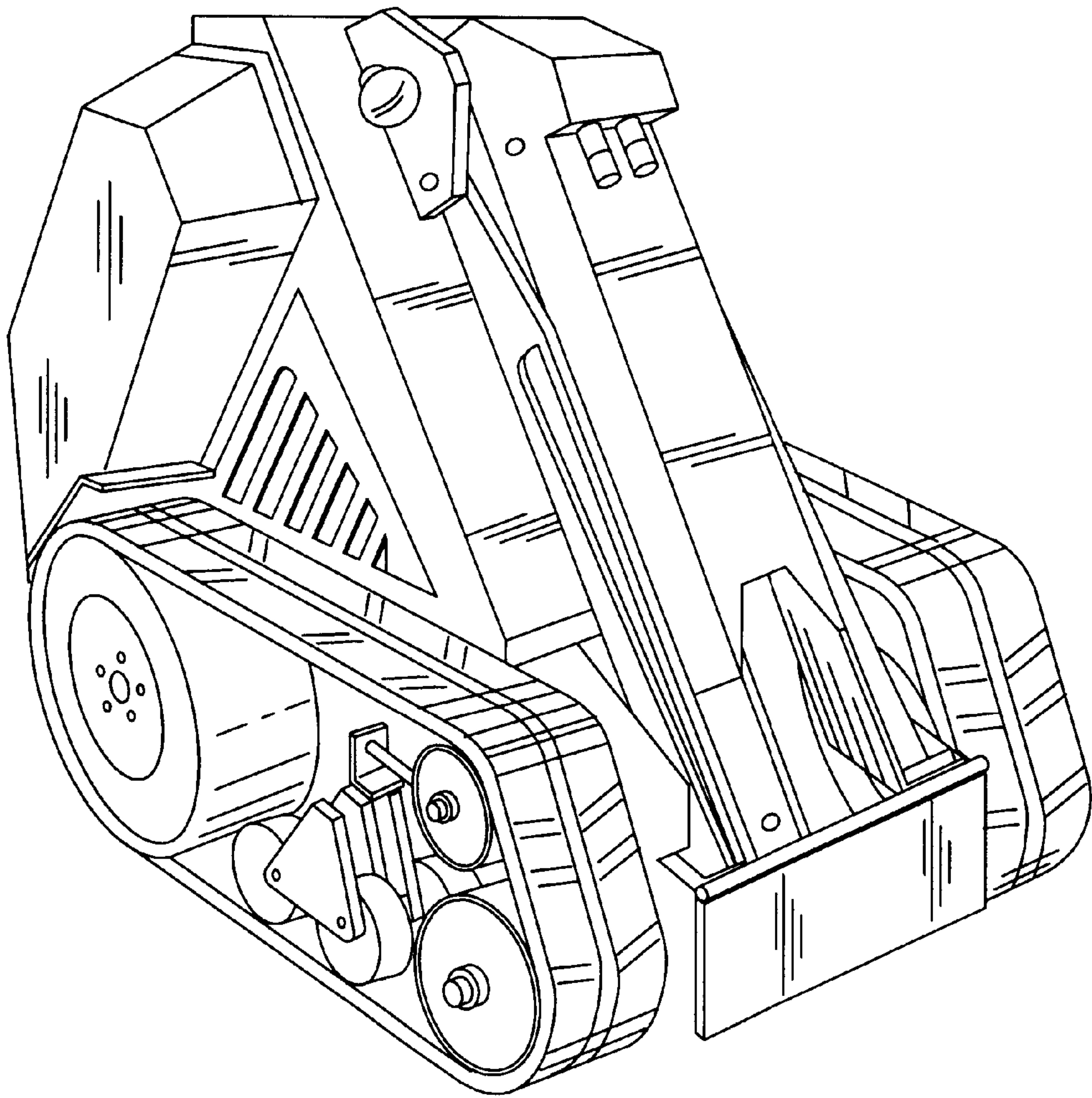
(56) **References Cited**

**U.S. PATENT DOCUMENTS**

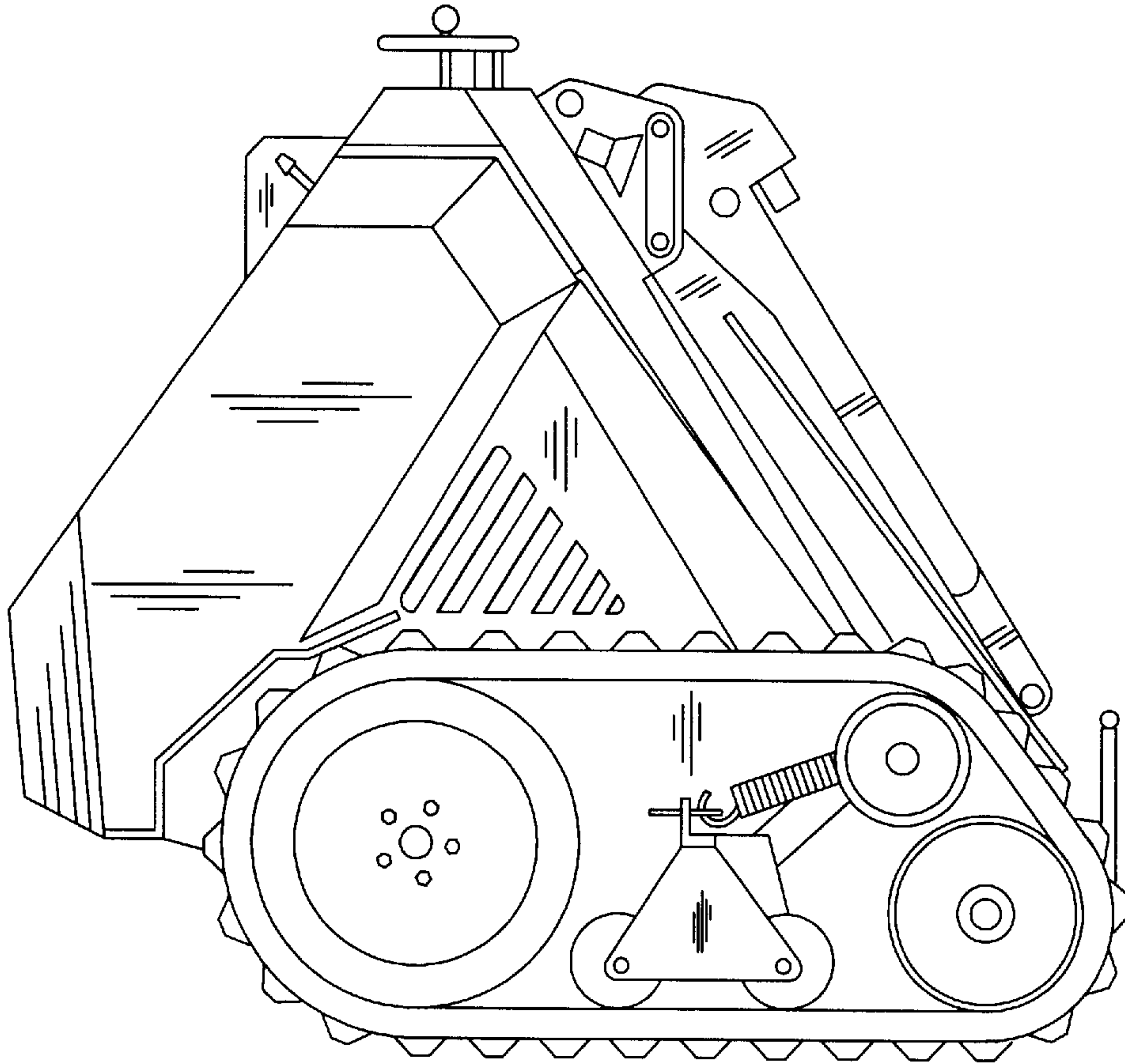
- 4,705,449 A \* 11/1987 Christianson et al. .... 414/685
- D294,032 S \* 2/1988 Whiffin ..... D15/25
- D359,497 S \* 6/1995 Rayner ..... D15/25
- D431,574 S \* 10/2000 Porter ..... D15/25
- D463,454 S \* 9/2002 Miller et al. .... D15/22
- D466,910 S \* 12/2002 Miller et al. .... D15/22

**1 Claim, 9 Drawing Sheets**

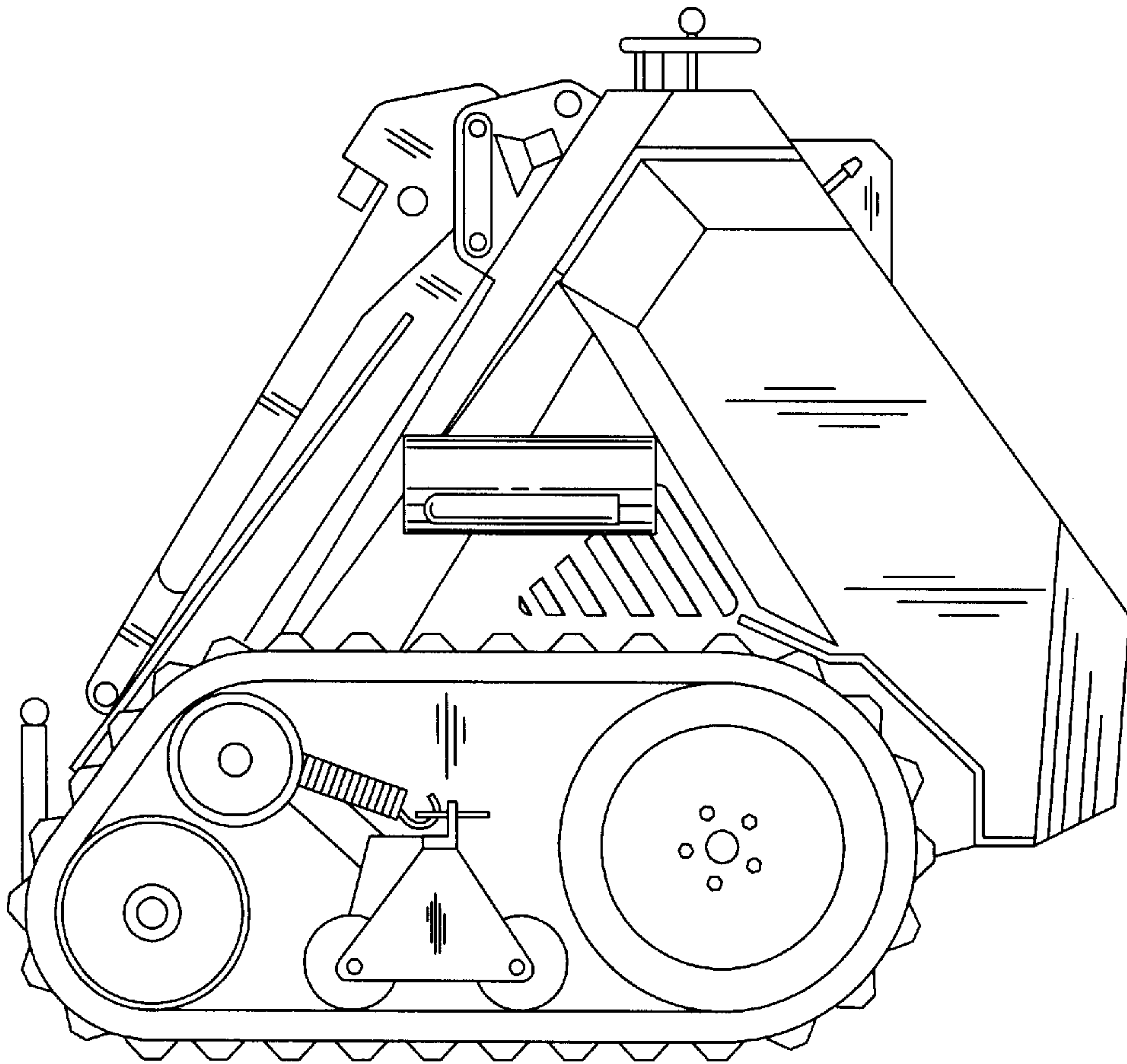




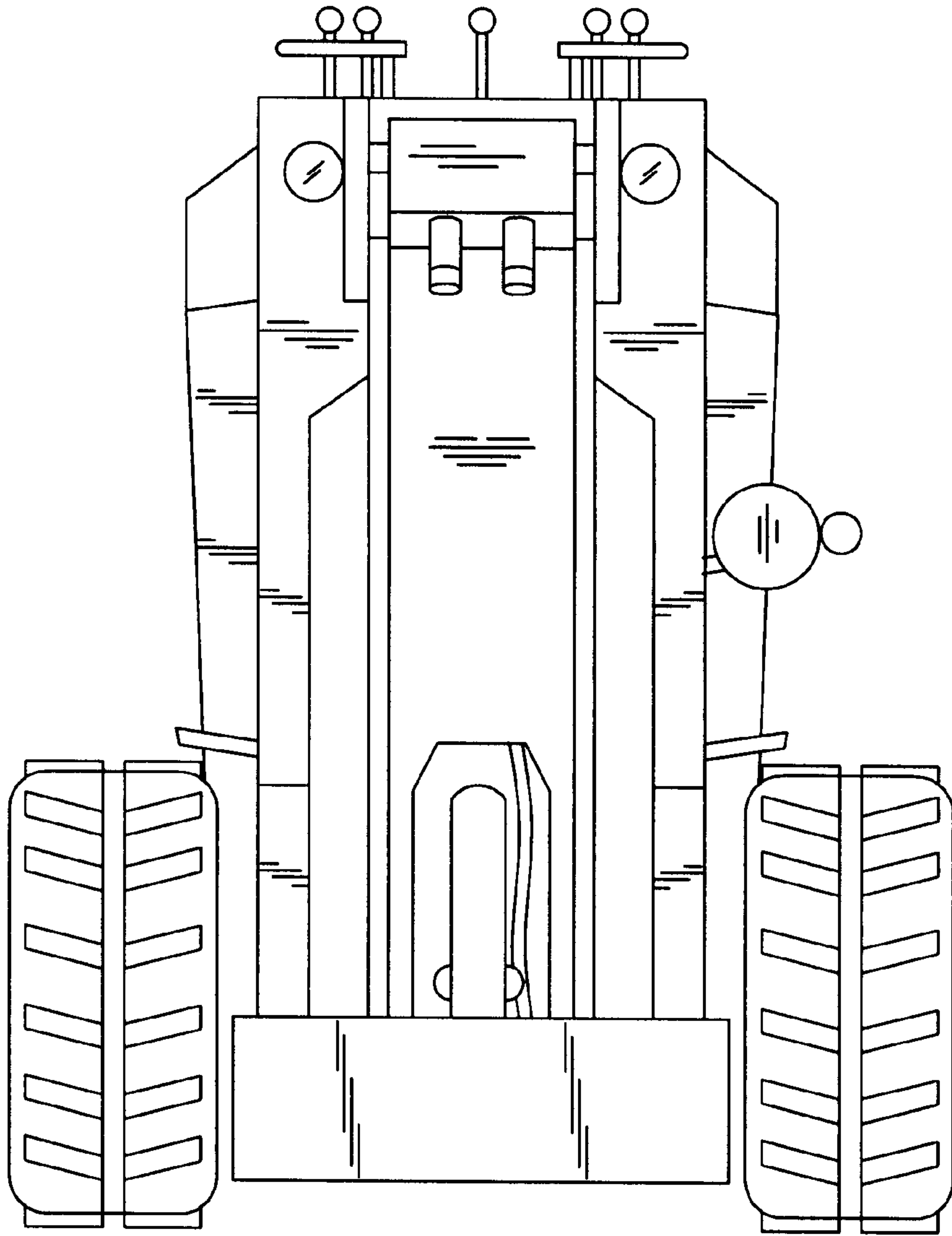
**FIG. 1**



**FIG. 2**

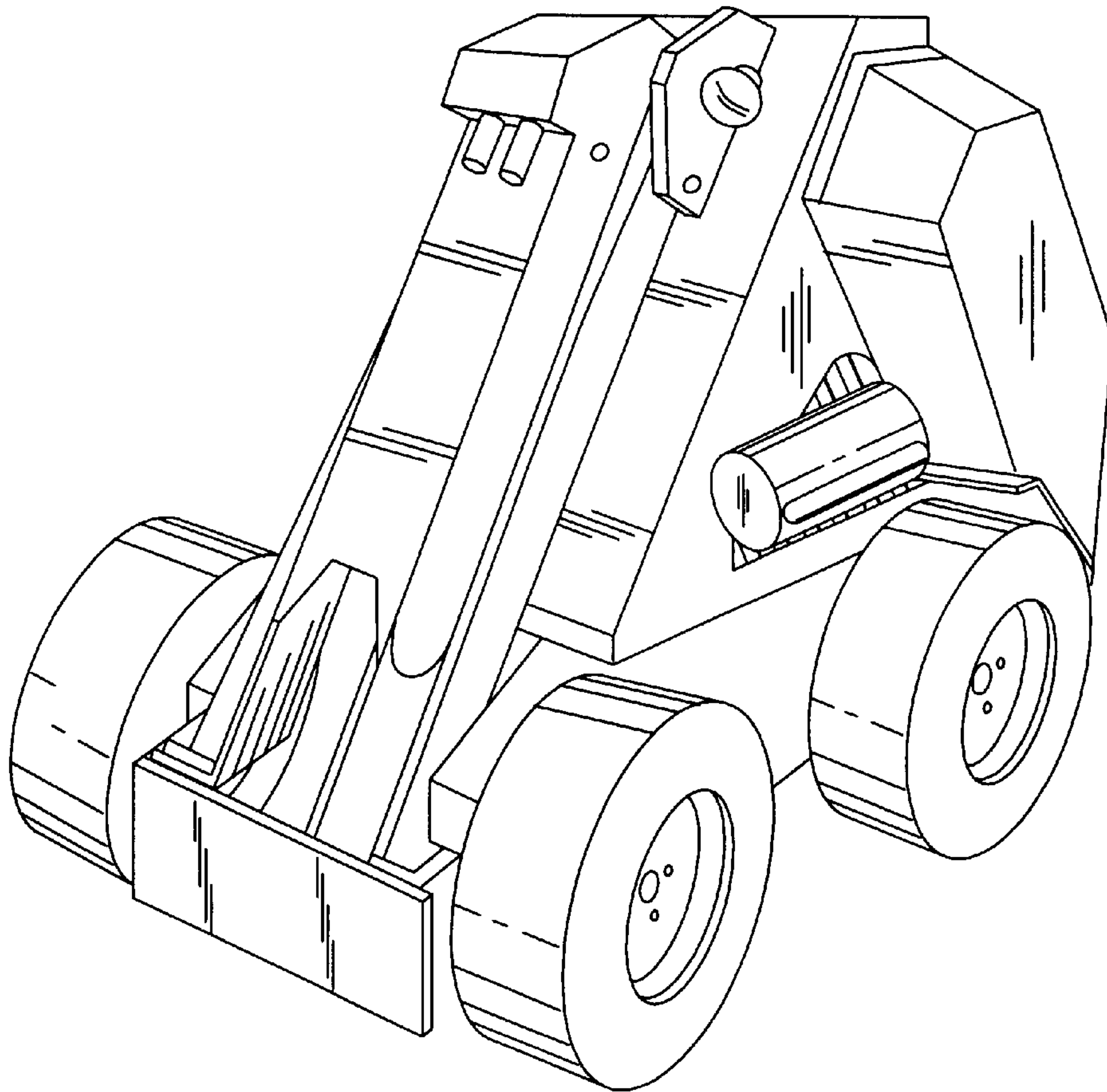


**FIG. 3**

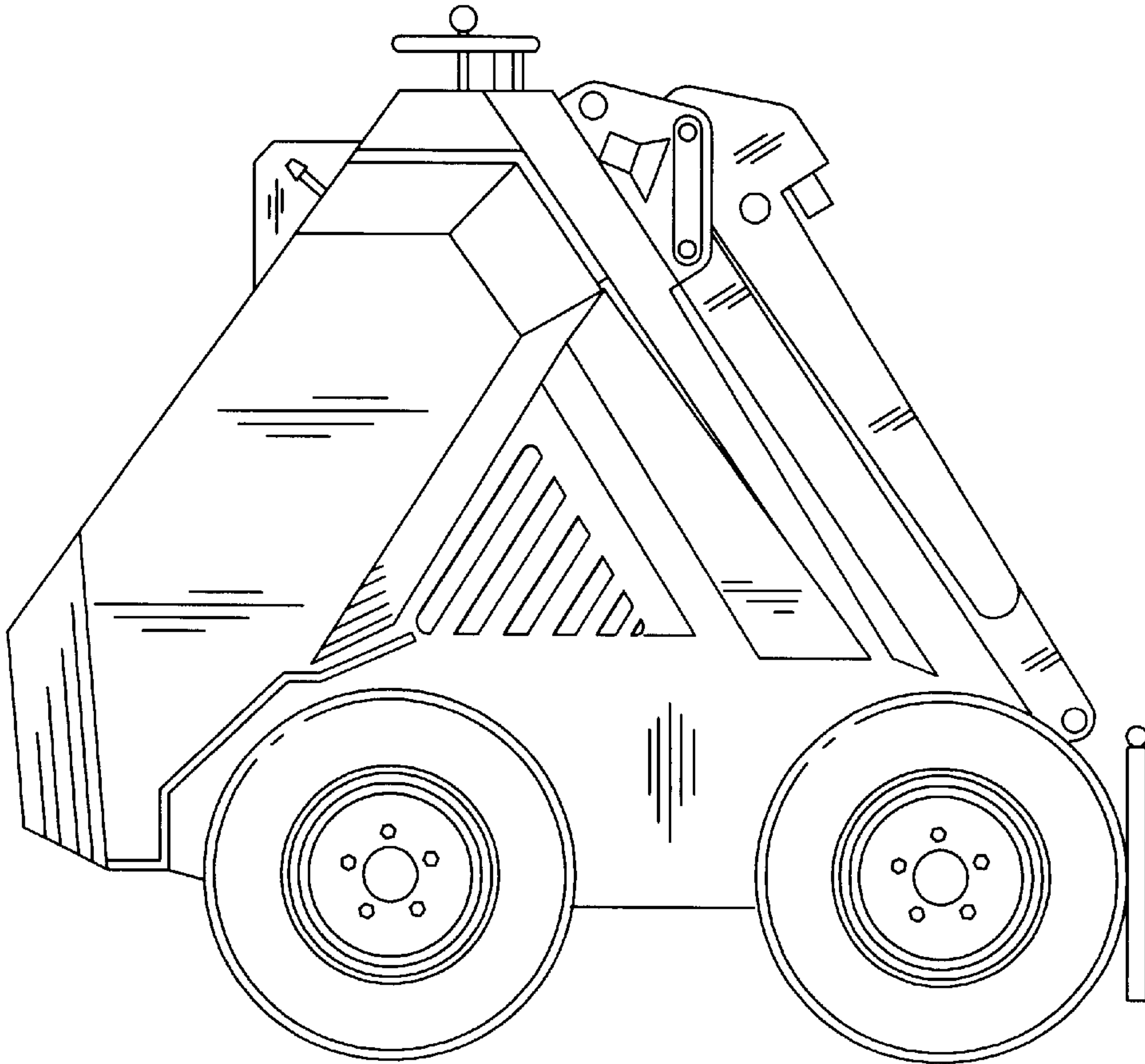


**FIG. 4**

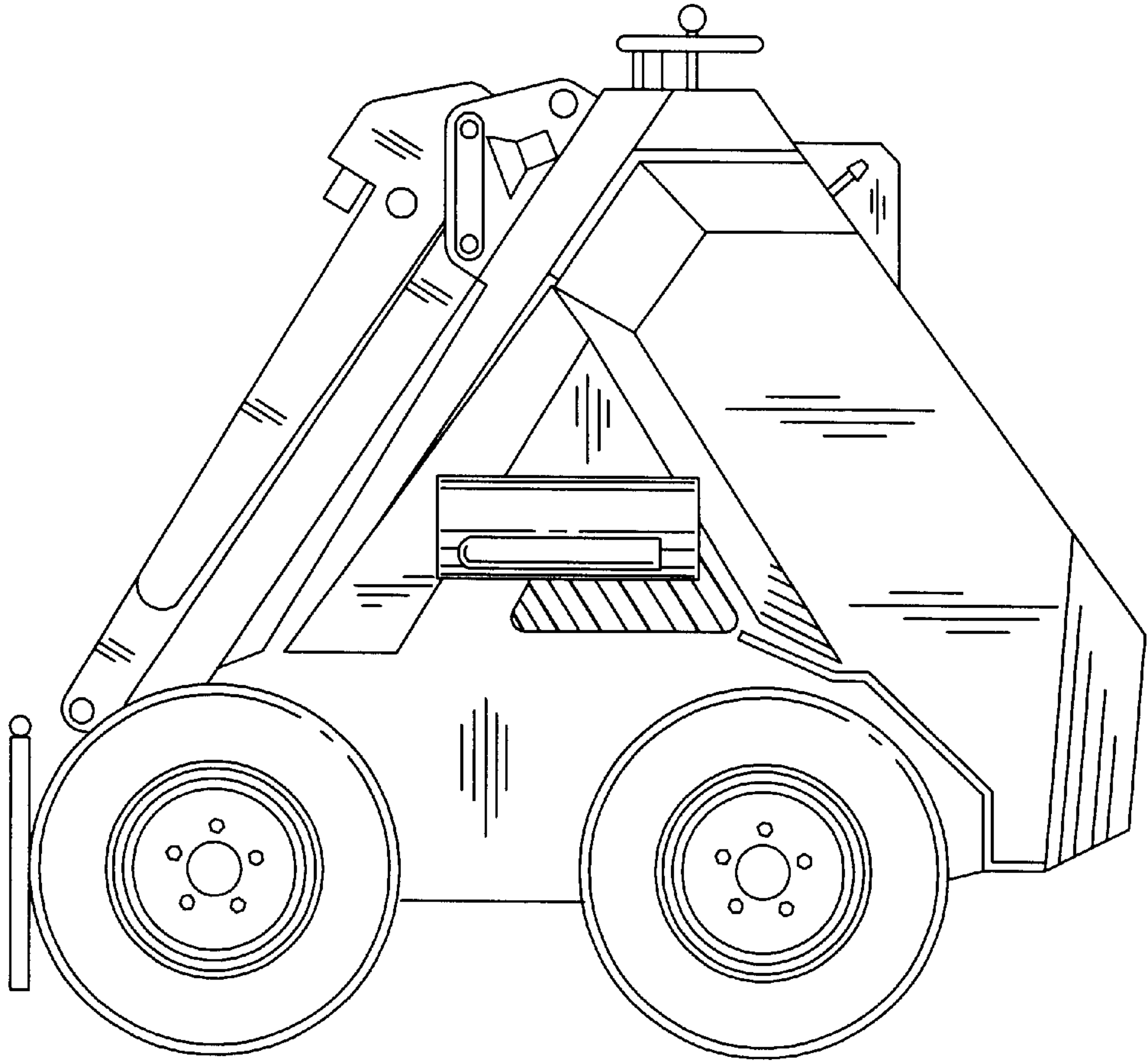




**FIG. 5**

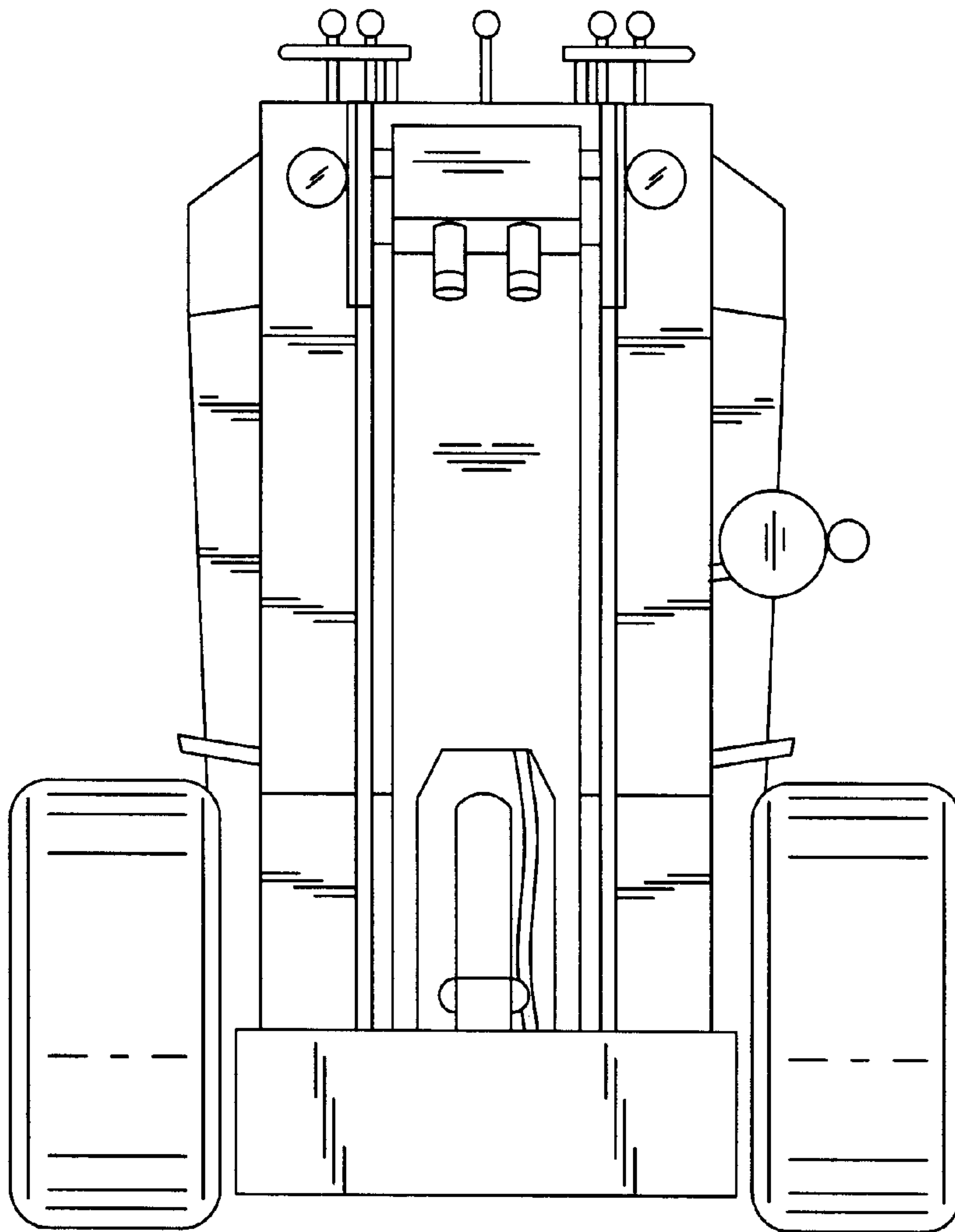


**FIG. 6**

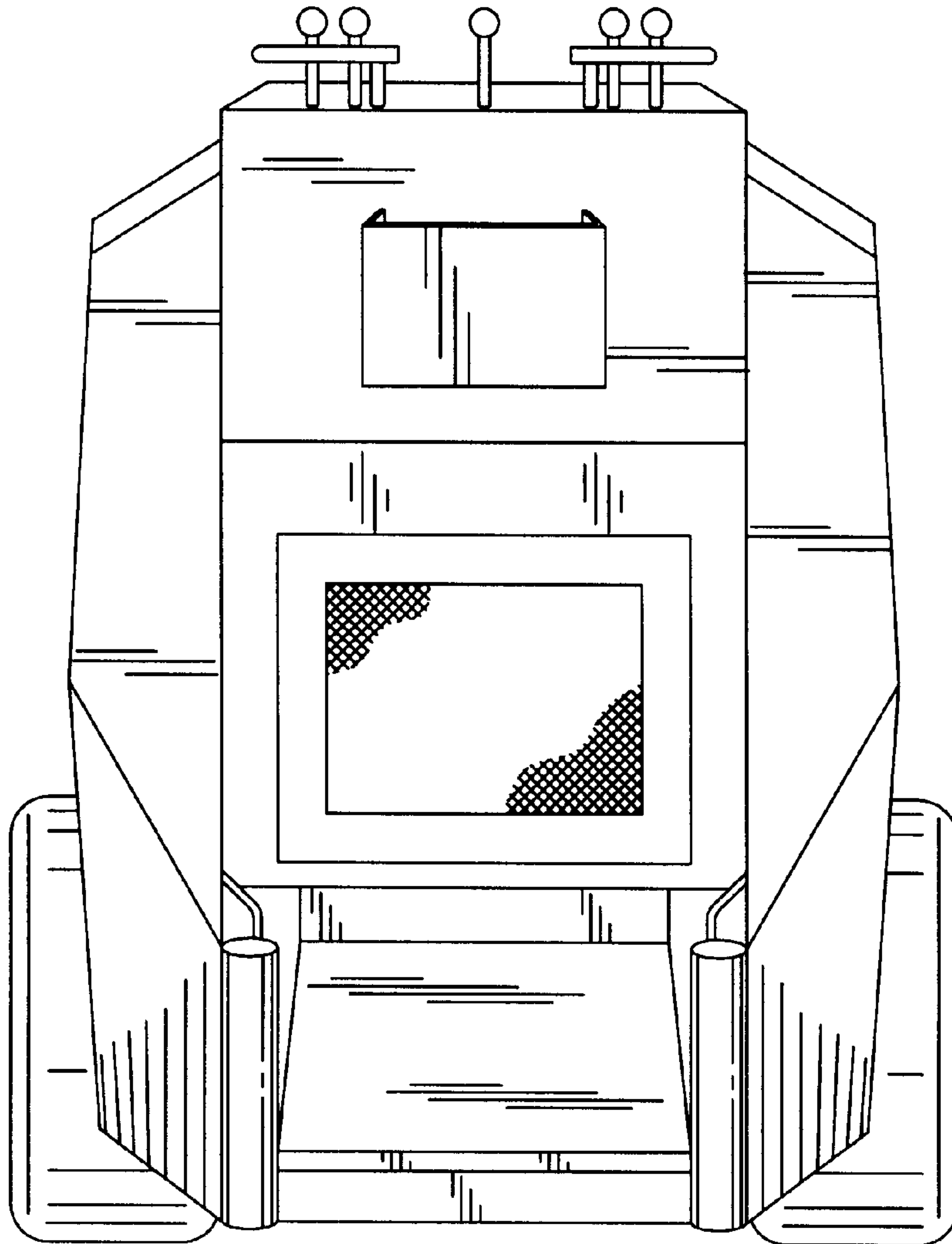


**FIG. 7**





**FIG. 8**



**FIG. 9**