



US00D479533S

(12) **United States Design Patent**  
**Song et al.**

(10) **Patent No.:** **US D479,533 S**

(45) **Date of Patent:** **\*\* Sep. 9, 2003**

(54) **FILTER PUMP**

D404,400 S \* 1/1999 Wang ..... D15/7  
D435,562 S \* 12/2000 Clivio ..... D15/7

(76) Inventors: **Rong-Jyh Song**, 2Fl., No. 8-1, Lane 74,  
Sec. 7, Jung Shan N. Road, Taipei  
(TW); **Tsung-Ping Yeh**, 1Fl., No. 17,  
Alley 45, Lane 283, Jung Jeng Road,  
Yung He City, Taipei Hsien (TW)

\* cited by examiner

*Primary Examiner*—Ralf Seifert  
(74) *Attorney, Agent, or Firm*—Bacon & Thomas, PLLC

(\*\*) Term: **14 Years**

(57) **CLAIM**

The ornamental design for a filter pump, as shown and described.

(21) Appl. No.: **29/163,702**

(22) Filed: **Jul. 11, 2002**

**DESCRIPTION**

(51) **LOC (7) Cl.** ..... **15-02**

(52) **U.S. Cl.** ..... **D15/7**

(58) **Field of Search** ..... D15/7-9; 417/234-235,  
417/906, 360, 362, 40, 88, 393; 200/84 B

FIG. 1 is a perspective view of a filter pump showing my new design;

FIG. 2 is a right side elevational view thereof;

FIG. 3 is a top plan view thereof;

FIG. 4 is a front elevational view thereof;

FIG. 5 is a bottom plan view thereof;

FIG. 6 is a left side elevational view thereof; and,

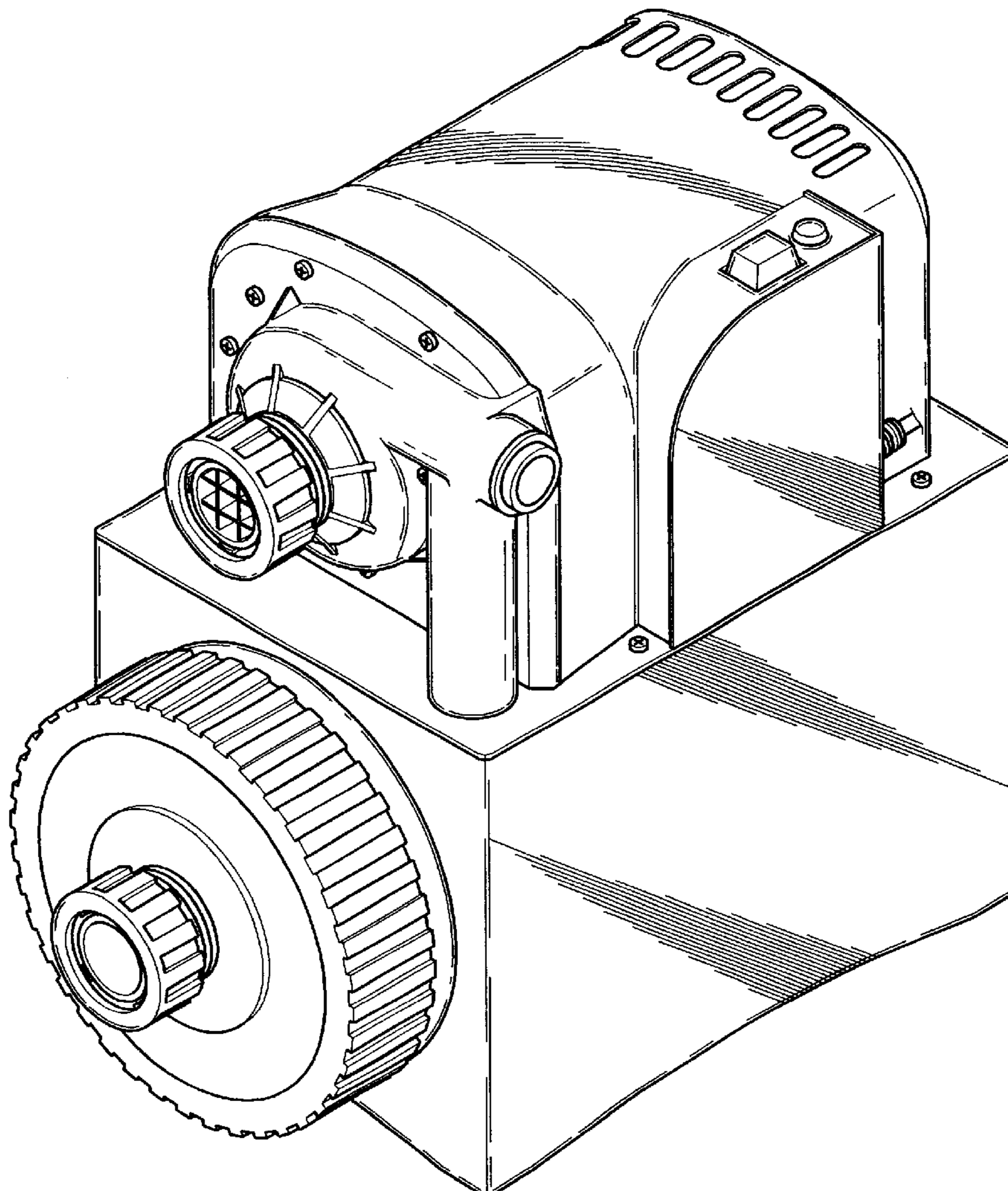
FIG. 7 is a rear elevational view.

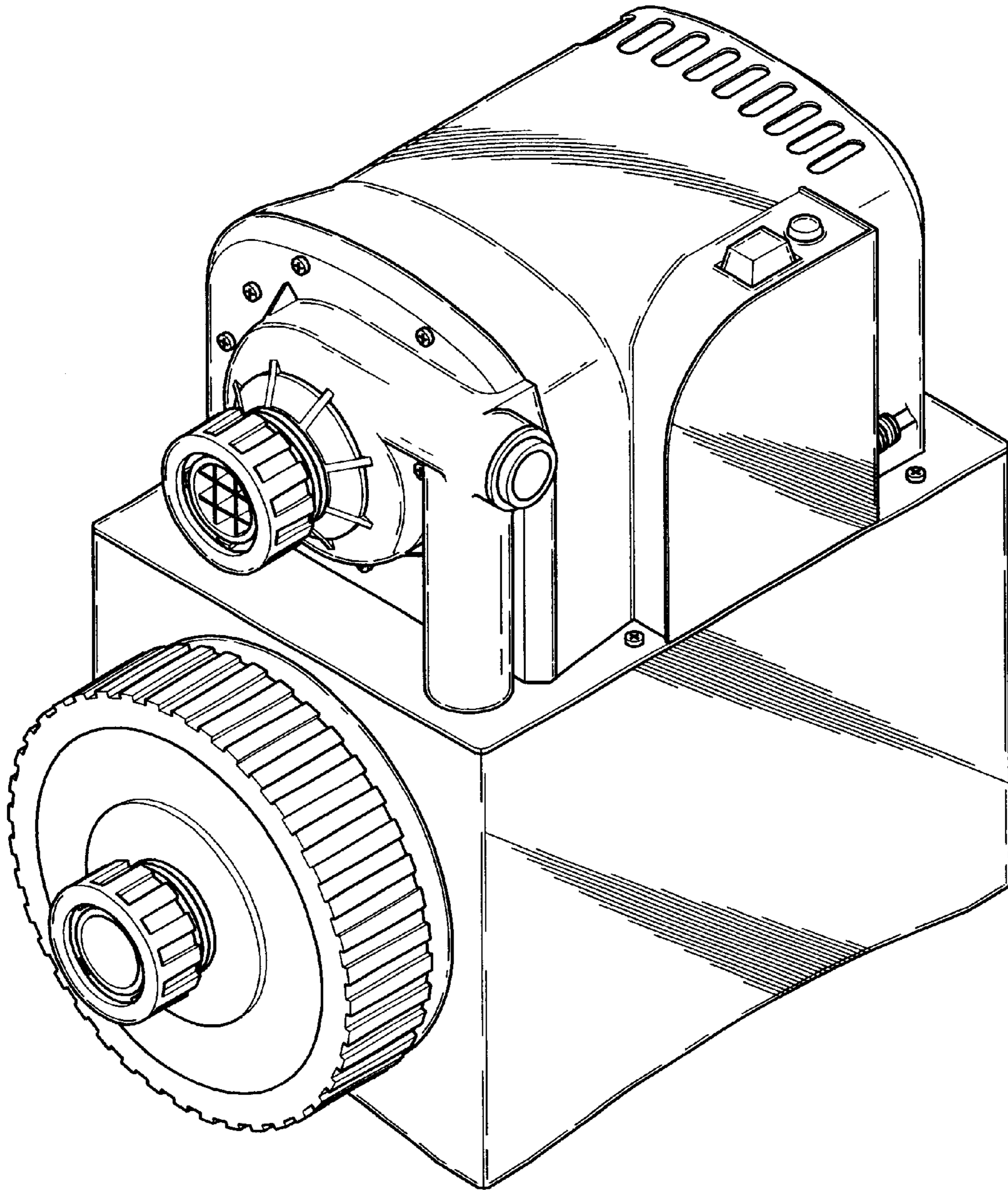
(56) **References Cited**

**U.S. PATENT DOCUMENTS**

D306,448 S \* 3/1990 Lannoch ..... D15/7

**1 Claim, 4 Drawing Sheets**





*FIG. 1*

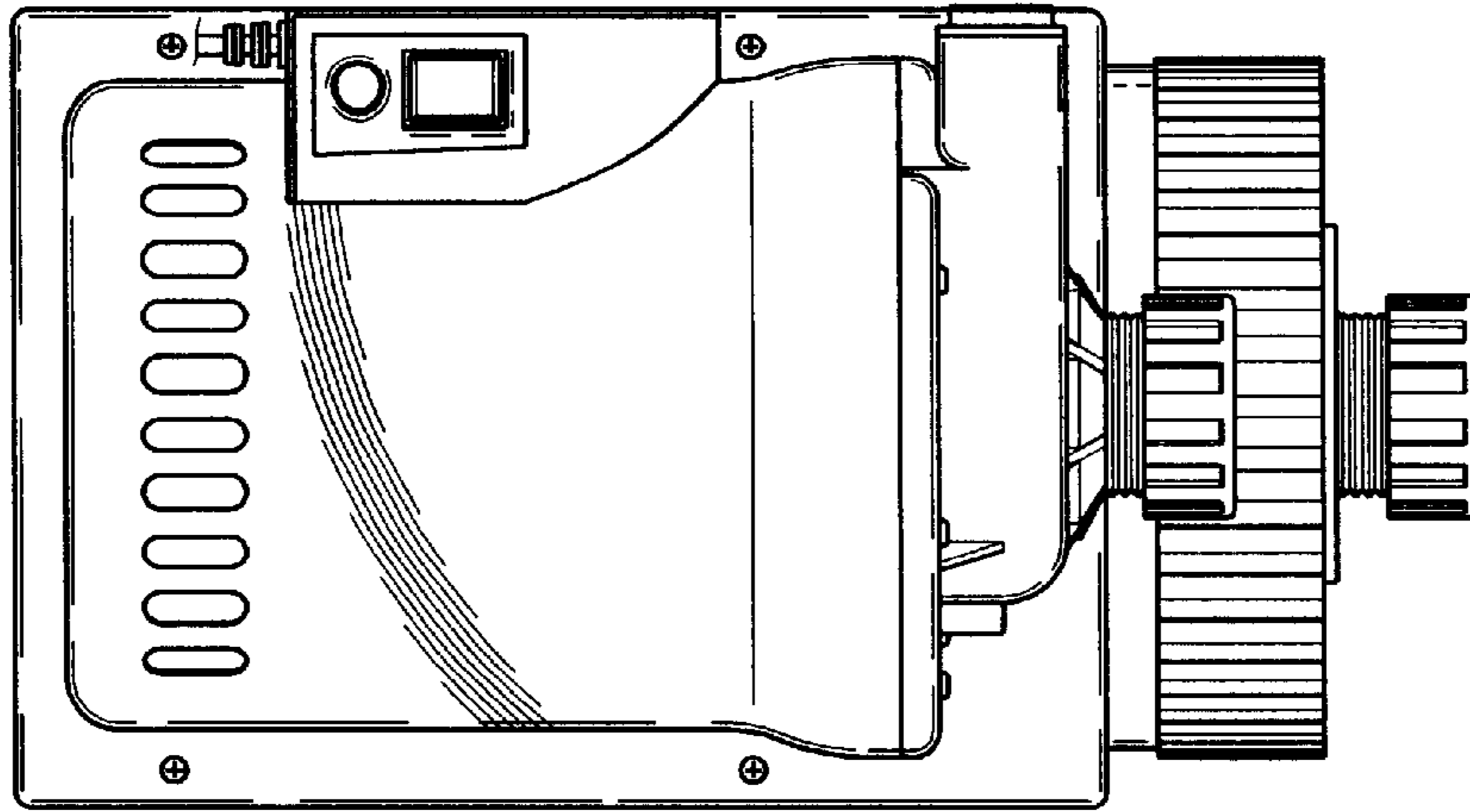


FIG. 3

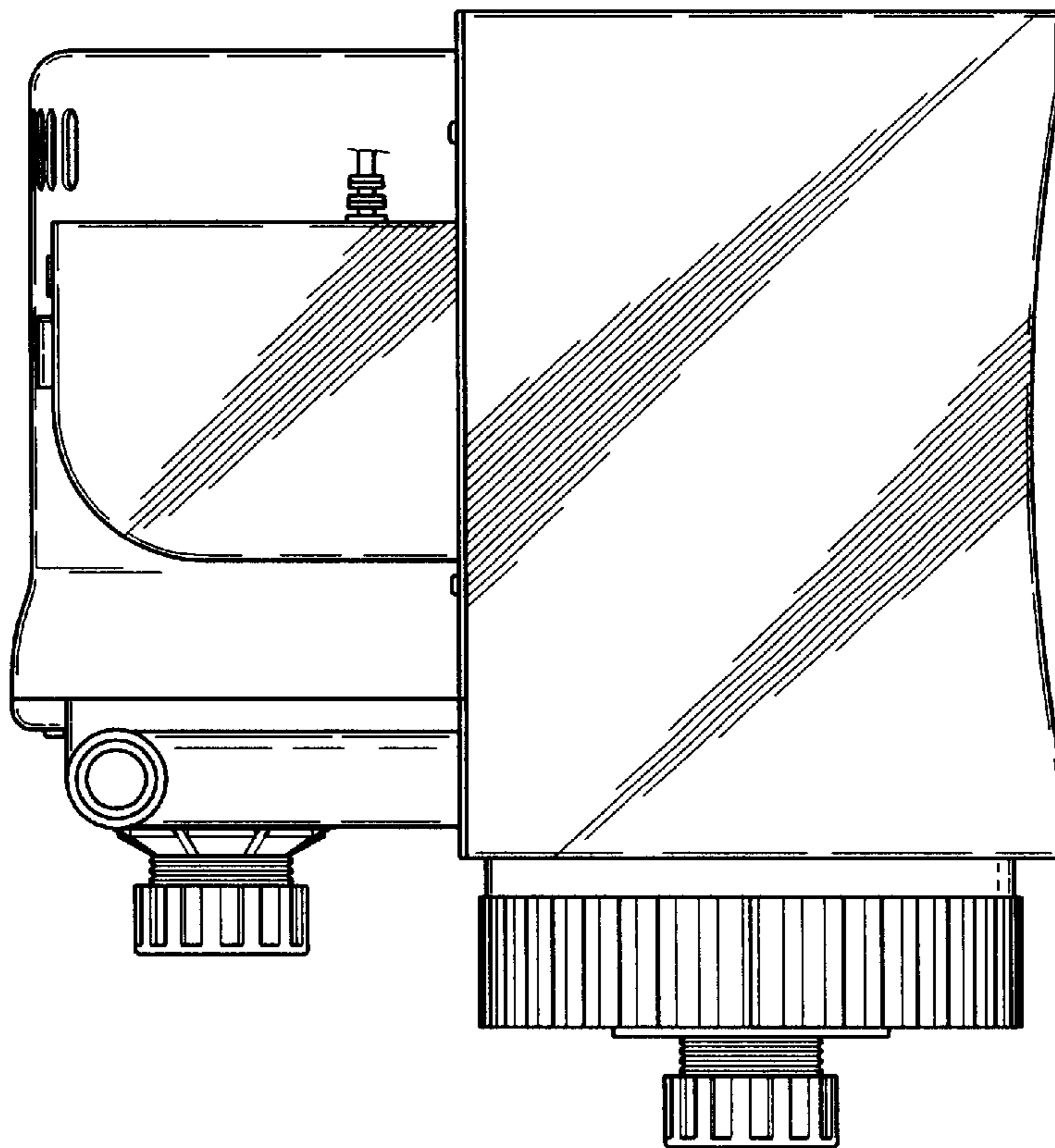


FIG. 2

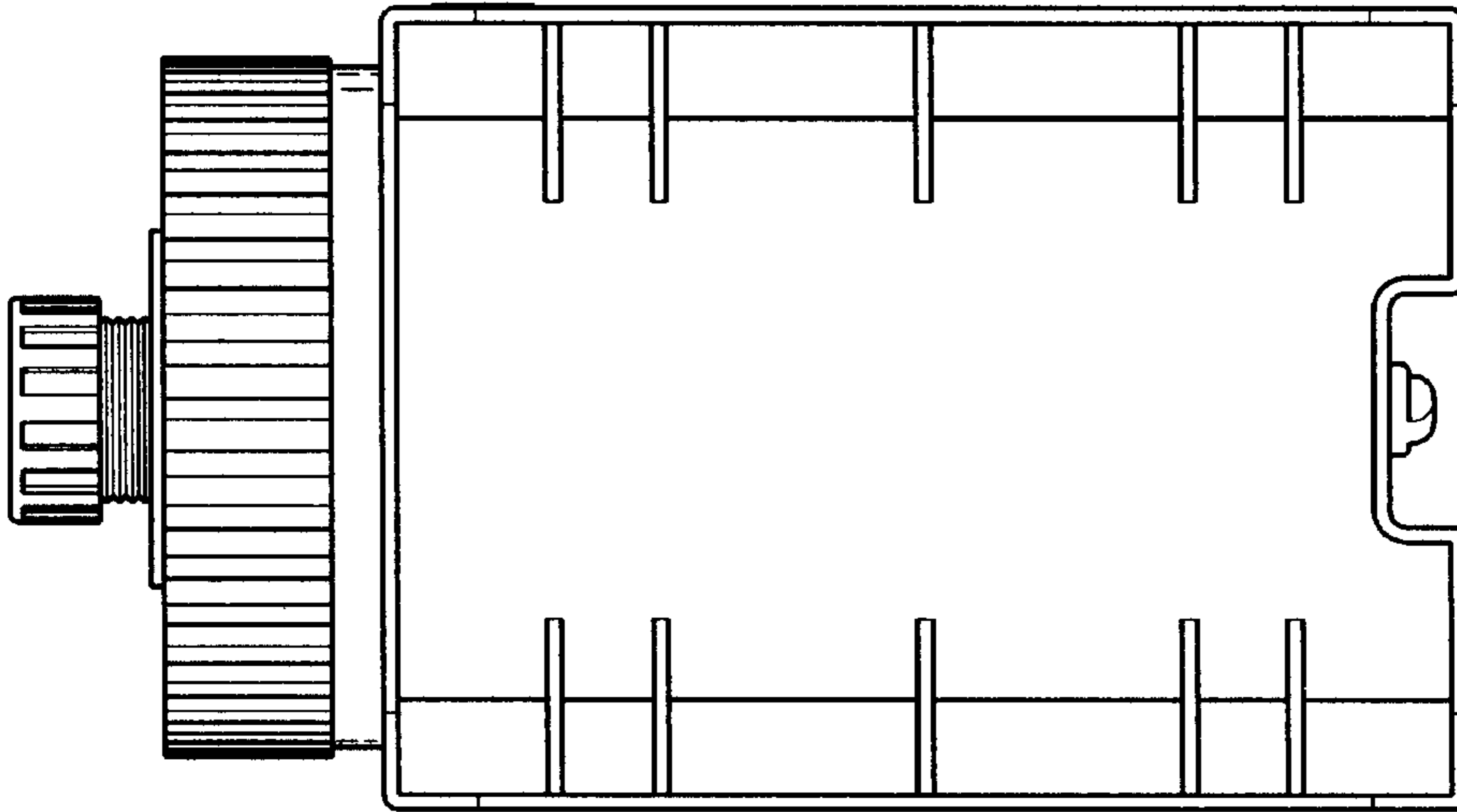


FIG. 5

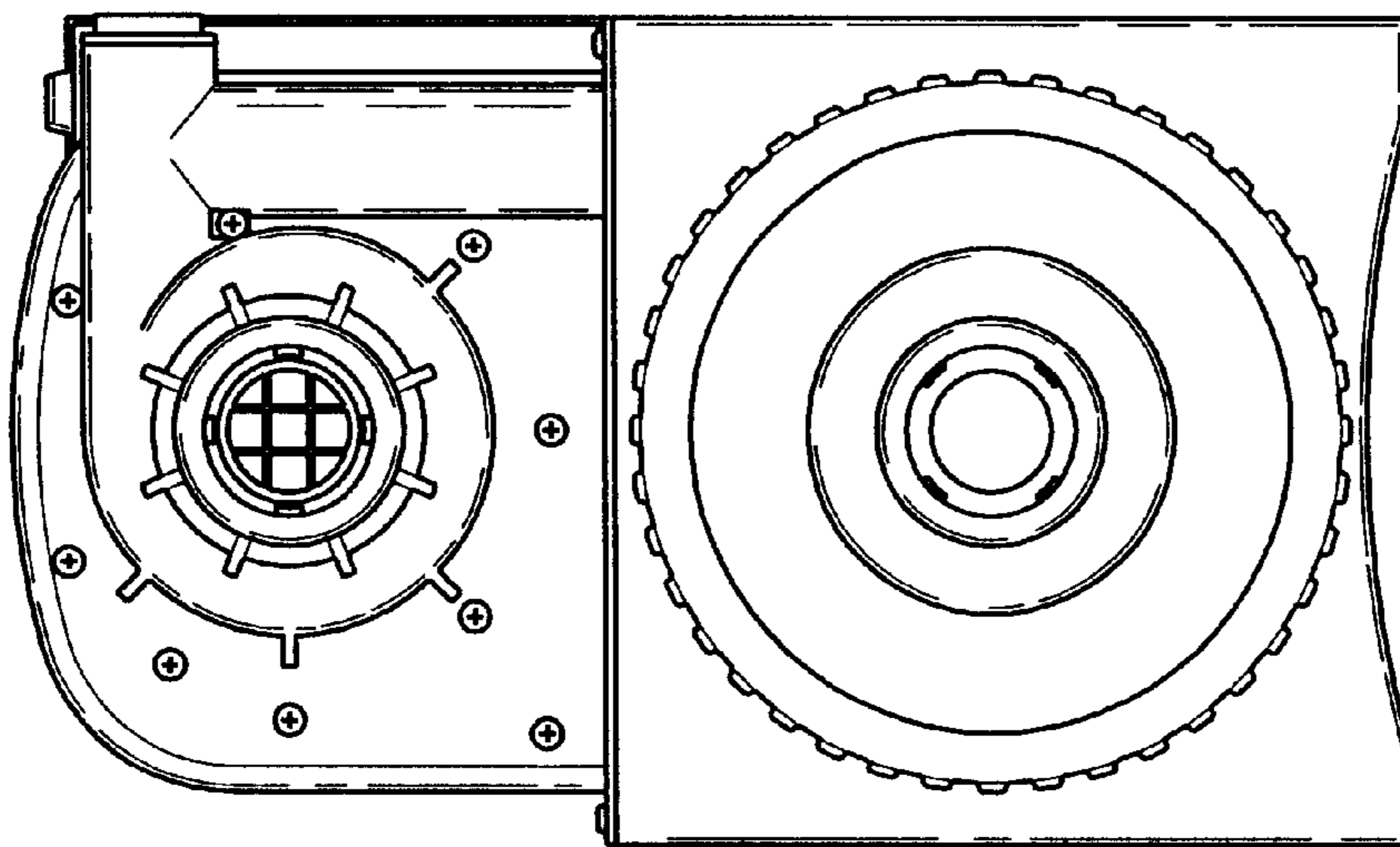
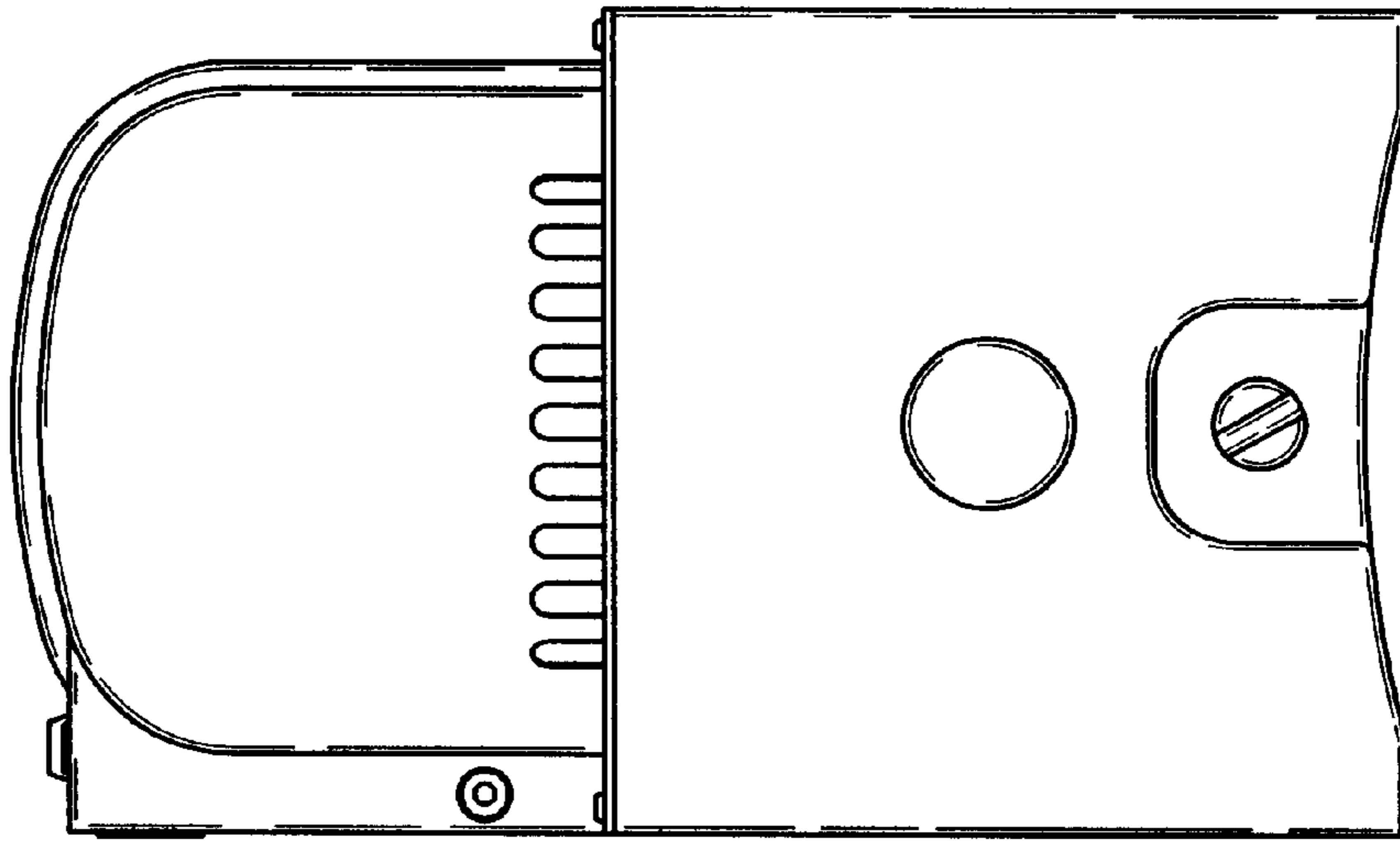
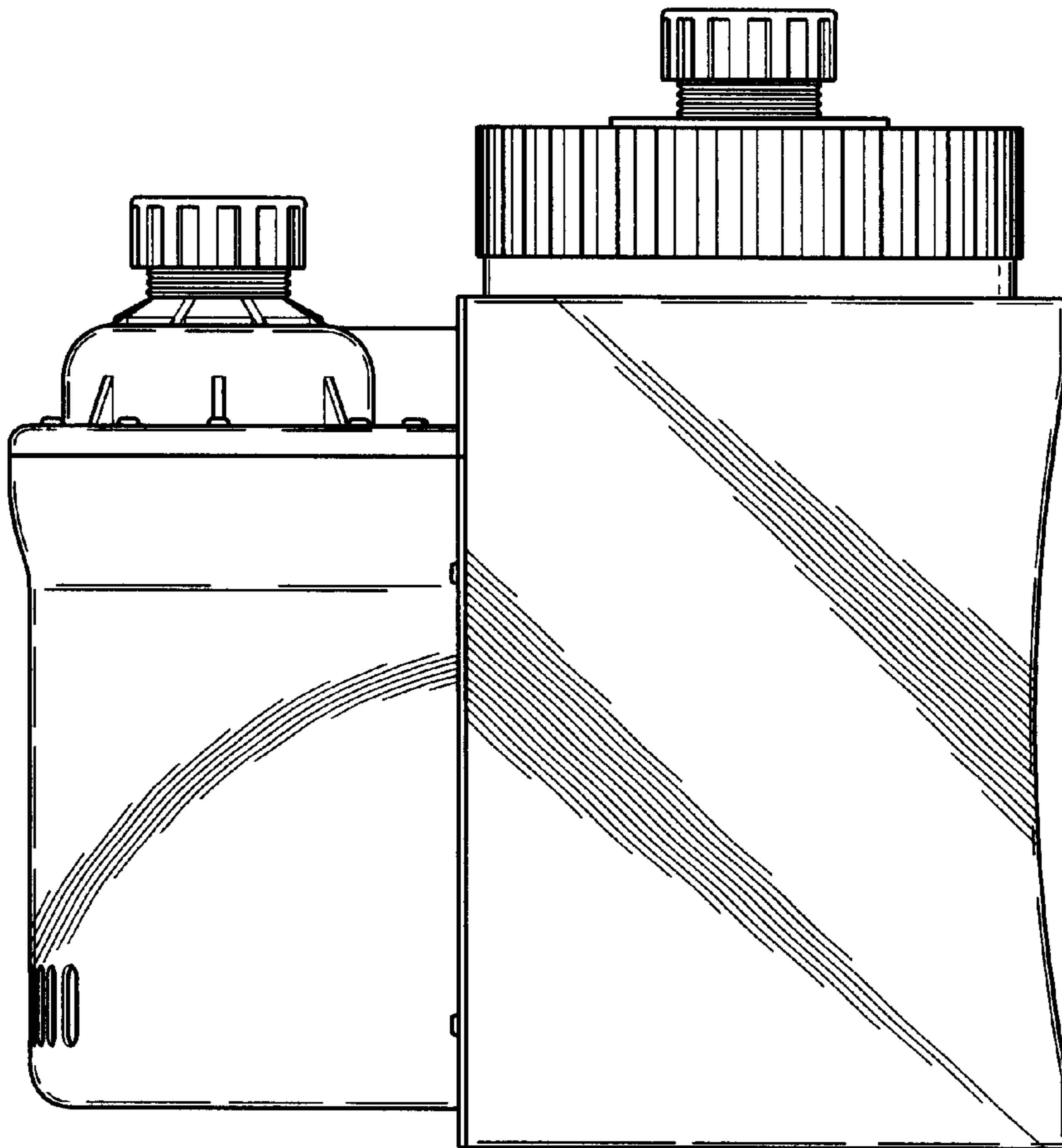


FIG. 4



*FIG. 7*



*FIG. 6*