



US00D479527S

(12) **United States Design Patent**
Eigenstetter et al.

(10) **Patent No.:** **US D479,527 S**

(45) **Date of Patent:** **** Sep. 9, 2003**

(54) **HANDHELD COMPUTER**

(75) Inventors: **Bernd Eigenstetter**, Munich (DE);
Jorn Ludwig, Munich (DE); **Georg
Trost**, Munich (DE)

(73) Assignee: **Fujitsu Limited**, Kawasaki (JP)

(**) Term: **14 Years**

(21) Appl. No.: **29/164,552**

(22) Filed: **Jul. 25, 2002**

(30) **Foreign Application Priority Data**

Jan. 25, 2002 (WO) DM/058 691

(51) **LOC (7) Cl.** **14-02**

(52) **U.S. Cl.** **D14/346**

(58) **Field of Search** D14/341-346;
D18/1, 2, 6, 7; 235/145 A, 145 R; 341/22,
23; 345/156, 168, 169, 172, 173; 349/12;
361/680-686

(56) **References Cited**

U.S. PATENT DOCUMENTS

D397,679 S * 9/1998 Hawkins et al. D14/342

D423,468 S * 4/2000 Jenkins D14/342
D442,173 S * 5/2001 Wang et al. D14/342
D442,583 S * 5/2001 Ohta et al. D14/346
D456,805 S * 5/2002 Ono et al. D14/342

* cited by examiner

Primary Examiner—Freda Nunn

(74) *Attorney, Agent, or Firm*—Staas & Halsey LLP

(57) **CLAIM**

The ornamental design for a handheld computer, as shown and described.

DESCRIPTION

FIG. 1 is a perspective view of the front, bottom and right side of a handheld computer showing our new design;

FIG. 2 is a front view thereof;

FIG. 3 is a left side view thereof;

FIG. 4 is a right side view thereof;

FIG. 5 is a top plan view thereof;

FIG. 6 is a bottom view thereof; and,

FIG. 7 is a rear view thereof.

1 Claim, 5 Drawing Sheets

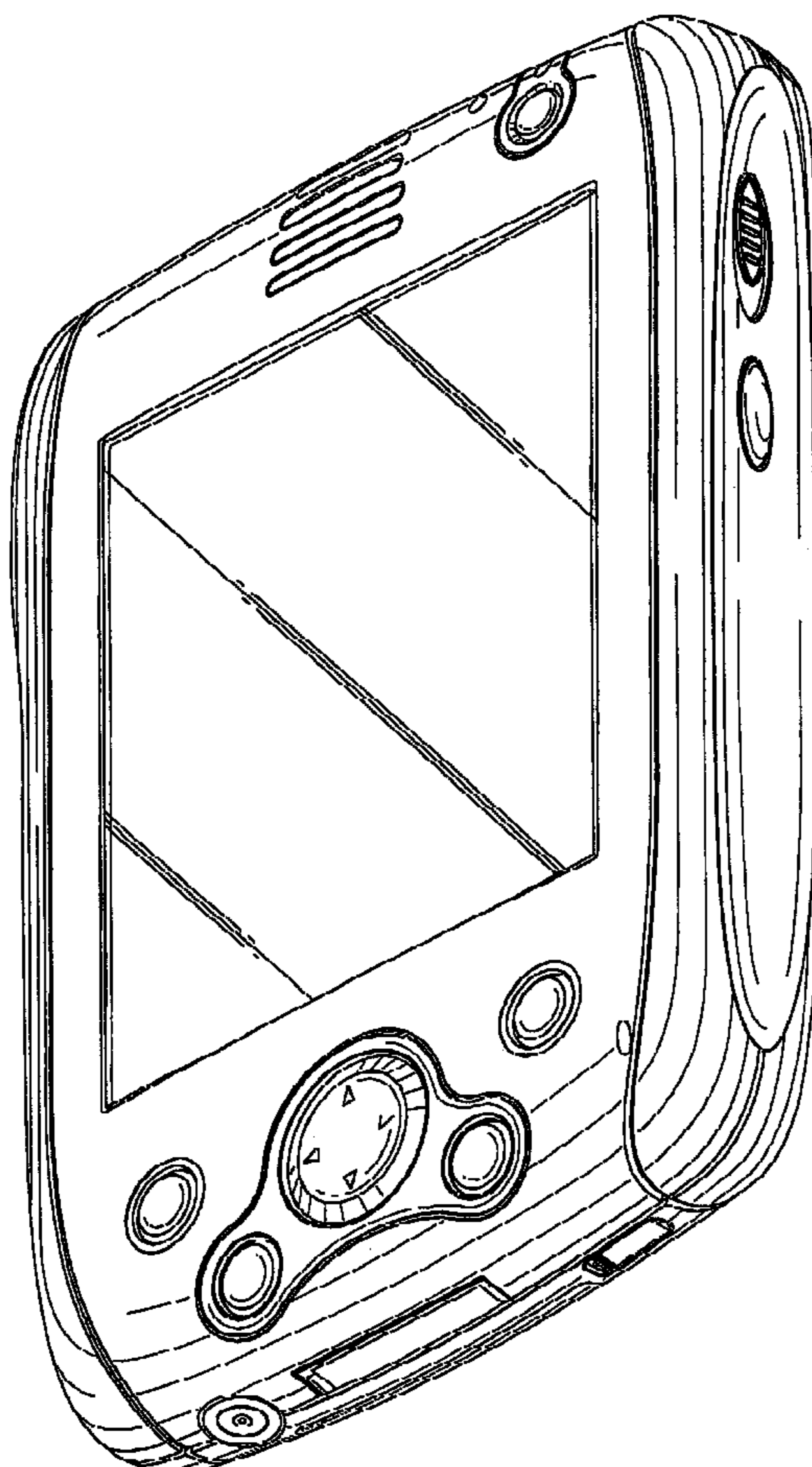


FIG. 1

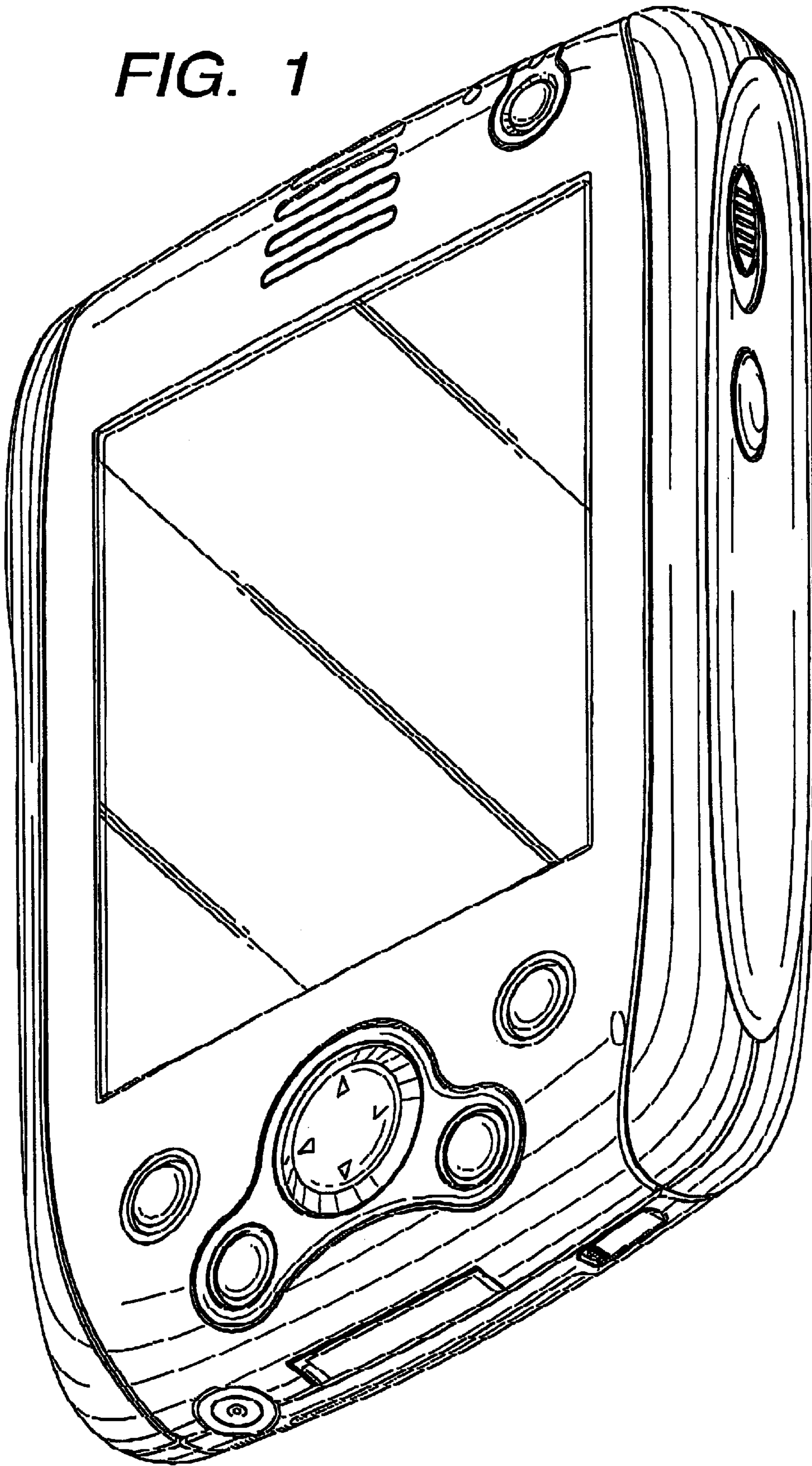


FIG. 2

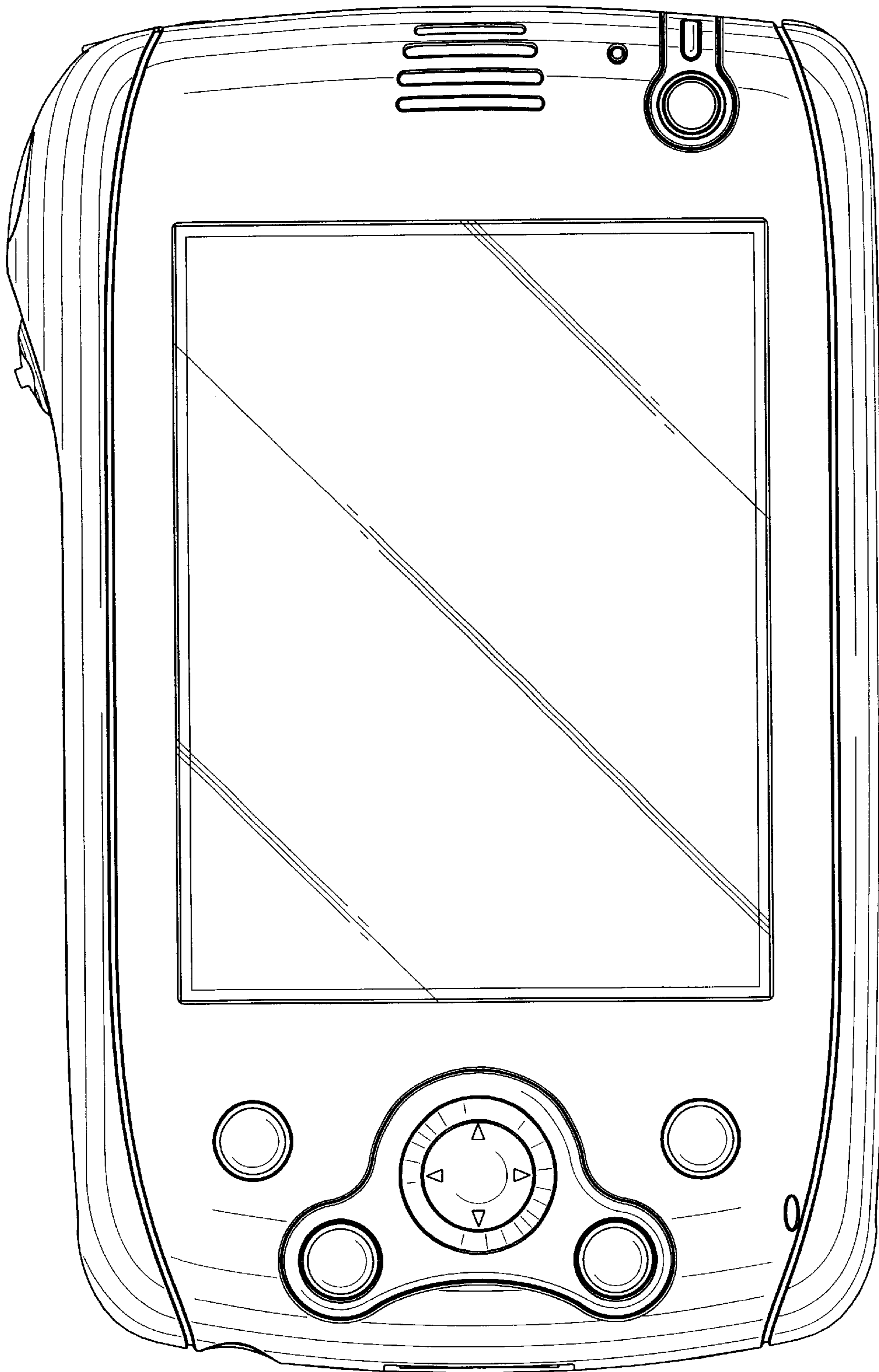


FIG. 3

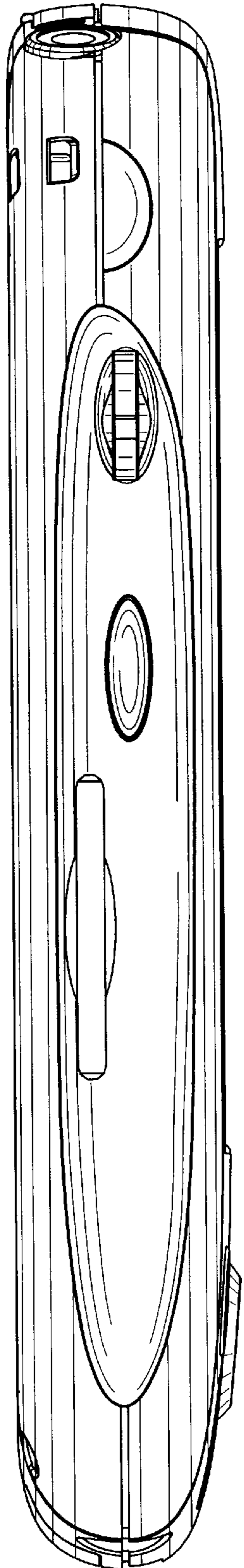


FIG. 4

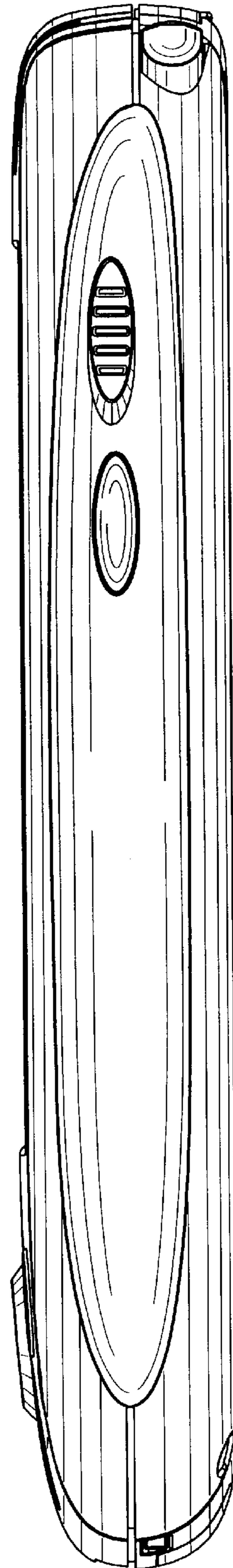


FIG. 5

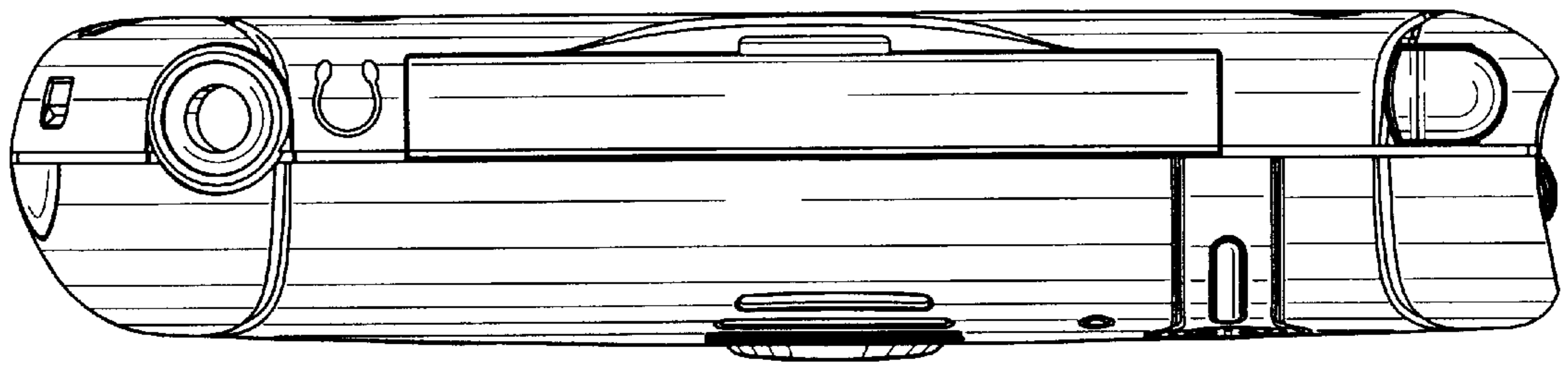


FIG. 6

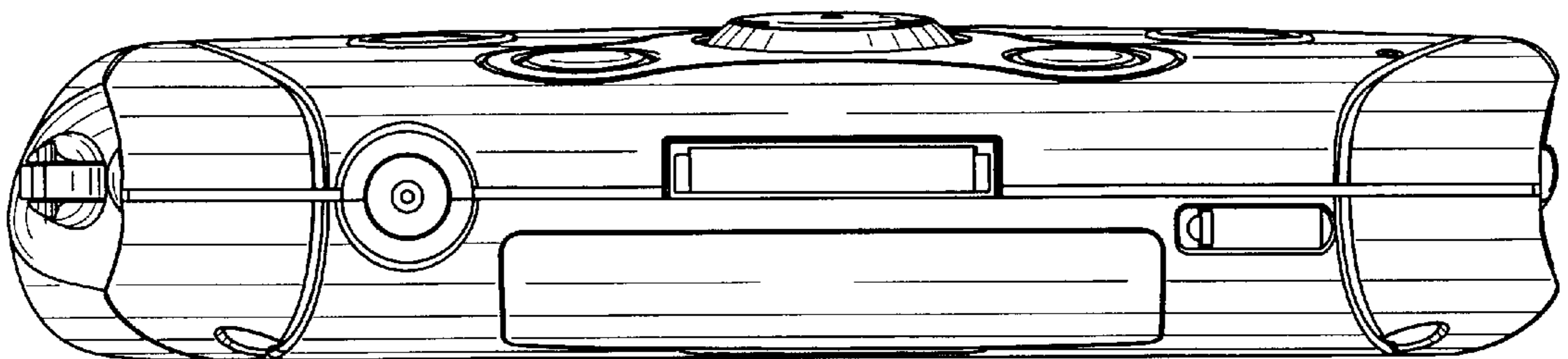


FIG. 7

