



US00D479525S

(12) **United States Design Patent**  
**Nara**

(10) **Patent No.:** **US D479,525 S**

(45) **Date of Patent:** **\*\* Sep. 9, 2003**

(54) **IN-CAR DIGITAL AUDIO DISC PLAYER**

(75) Inventor: **Hiroshi Nara, Niiza (JP)**

(73) Assignee: **Honda Access Corporation (JP)**

(\*\*) Term: **14 Years**

(21) Appl. No.: **29/169,977**

(22) Filed: **Oct. 29, 2002**

(30) **Foreign Application Priority Data**

Jun. 27, 2002 (JP) ..... 2002-017225

(51) **LOC (7) Cl.** ..... **14-01**

(52) **U.S. Cl.** ..... **D14/258**

(58) **Field of Search** ..... D14/135-136,  
D14/156-157, 167-168, 188, 193-198,  
257-258, 160-164; 369/75.1, 75.2, 77.1,  
77.2; 455/344, 347, 350-351

(56) **References Cited**

**U.S. PATENT DOCUMENTS**

D391,958 S \* 3/1998 Miyazawa et al. .... D14/157  
D414,768 S \* 10/1999 Ito et al. .... D14/164

D427,990 S \* 7/2000 Ito et al. .... D14/156  
D446,510 S \* 8/2001 Hori et al. .... D14/157  
D448,014 S \* 9/2001 Hori et al. .... D14/157

\* cited by examiner

*Primary Examiner*—Nanda Bondade

(74) *Attorney, Agent, or Firm*—Akerman Senterfitt

(57) **CLAIM**

The ornamental design for an in-car digital audio disc player, as shown and described.

**DESCRIPTION**

FIG. 1 is a front perspective view from above of an in-car digital audio disc player, showing my new design; FIG. 2 is a front view thereof; FIG. 3 is a rear view thereof; FIG. 4 is a top plan view thereof; FIG. 5 is a bottom plan view thereof; FIG. 6 is a left side view thereof; and, FIG. 7 is a right side view thereof.

The broken line showing on FIGS. 1 and 3-7 is for illustrative purposes only and forms no part of the claimed design.

**1 Claim, 5 Drawing Sheets**

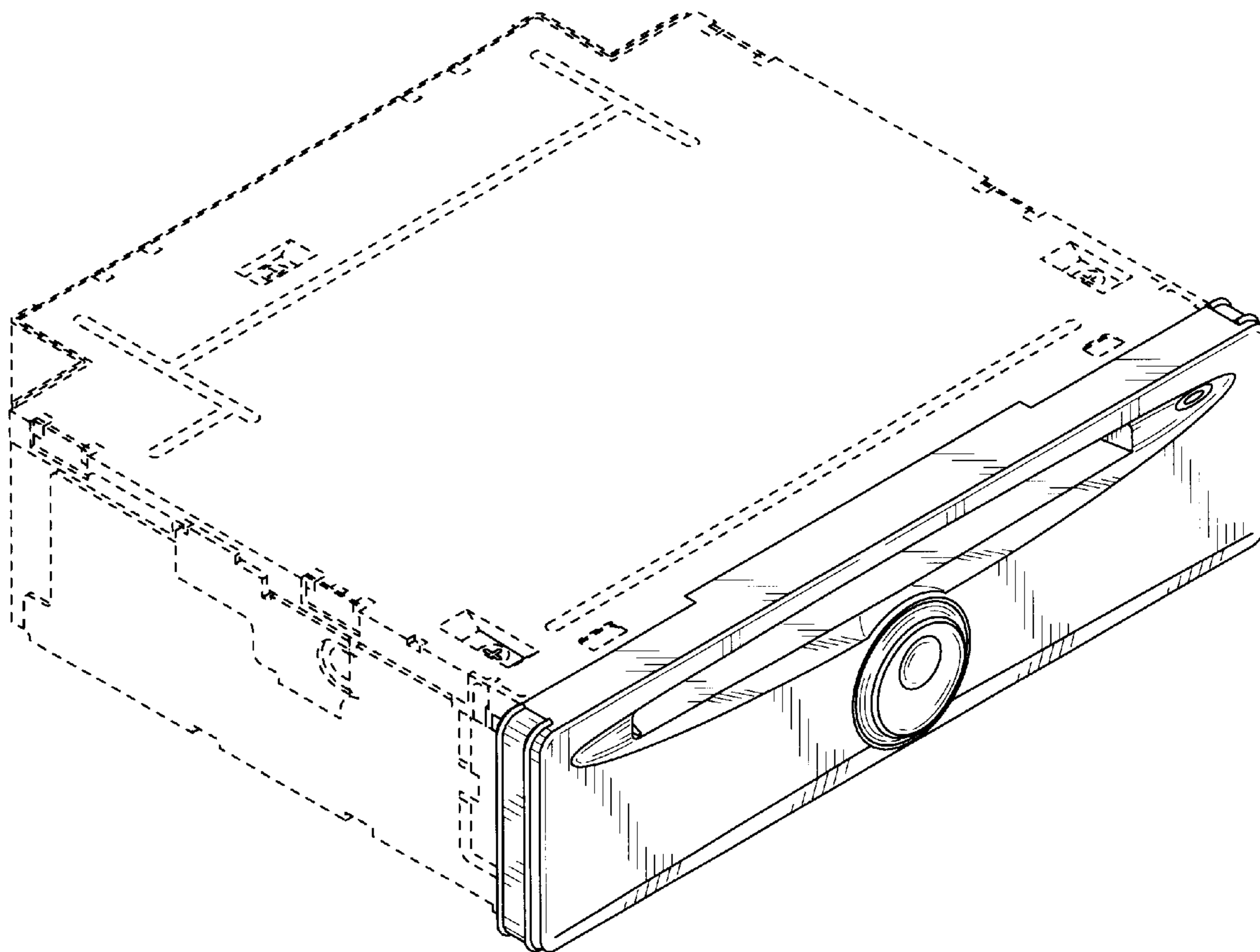


FIG. 1

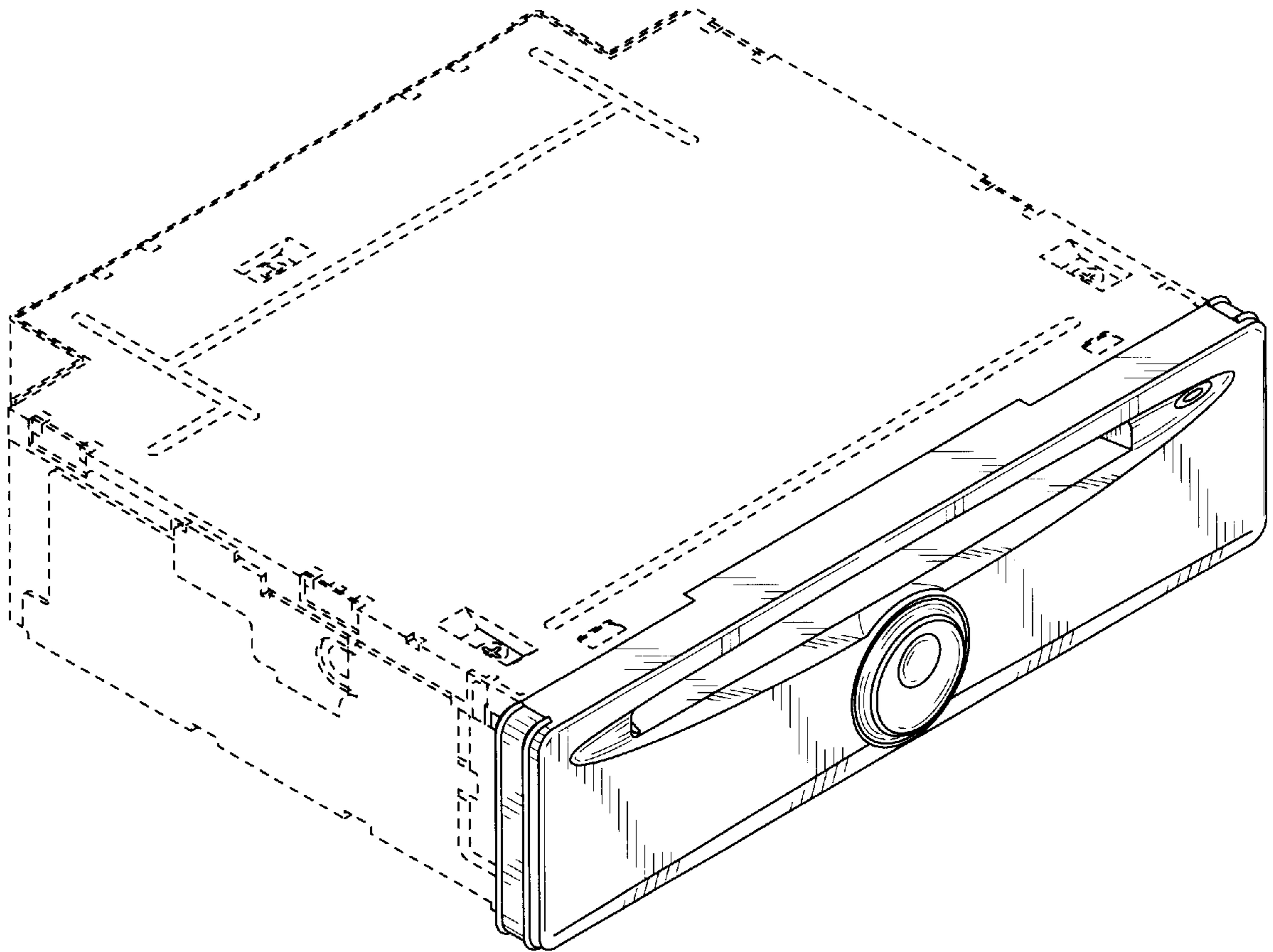


FIG. 2

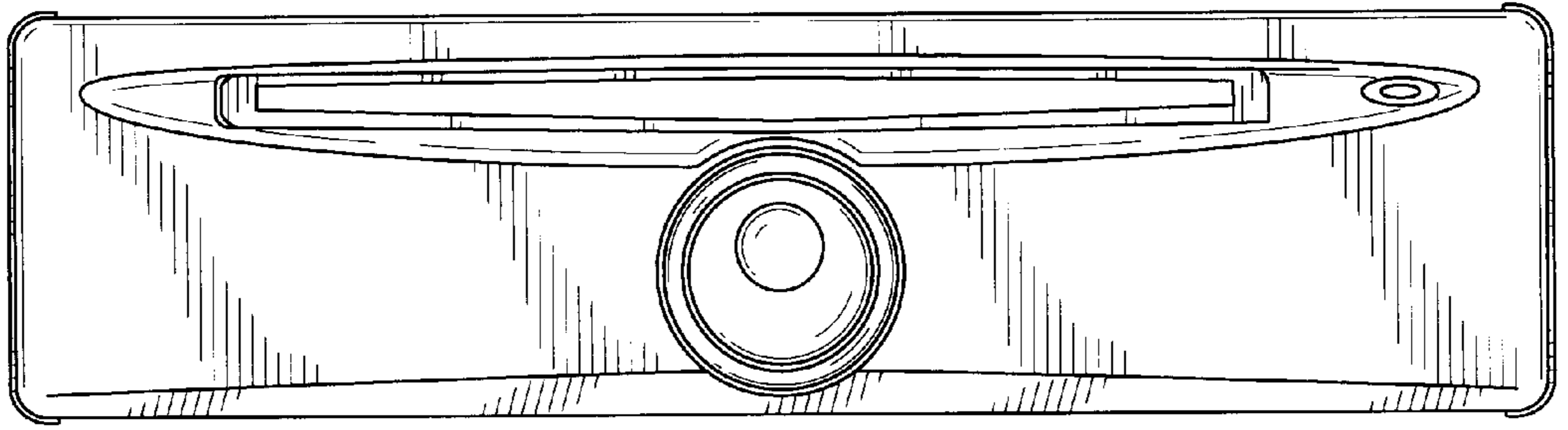


FIG. 3

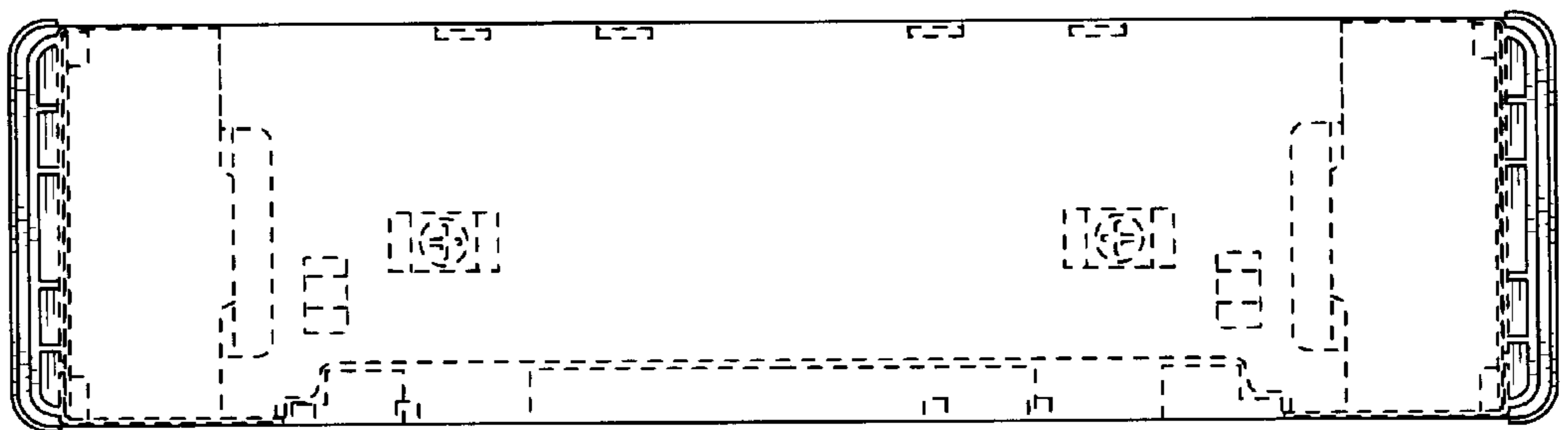


FIG. 4

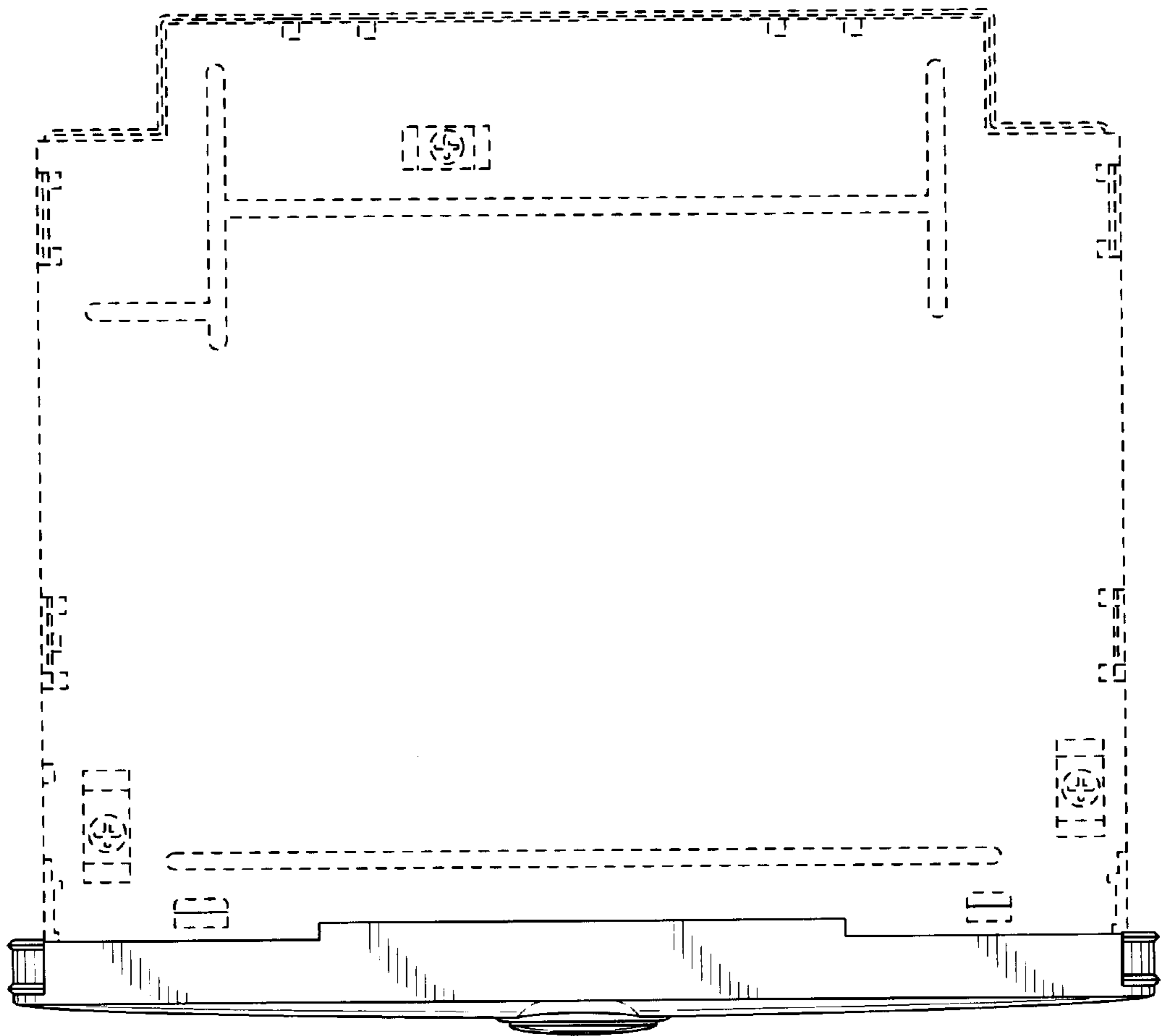


FIG. 5

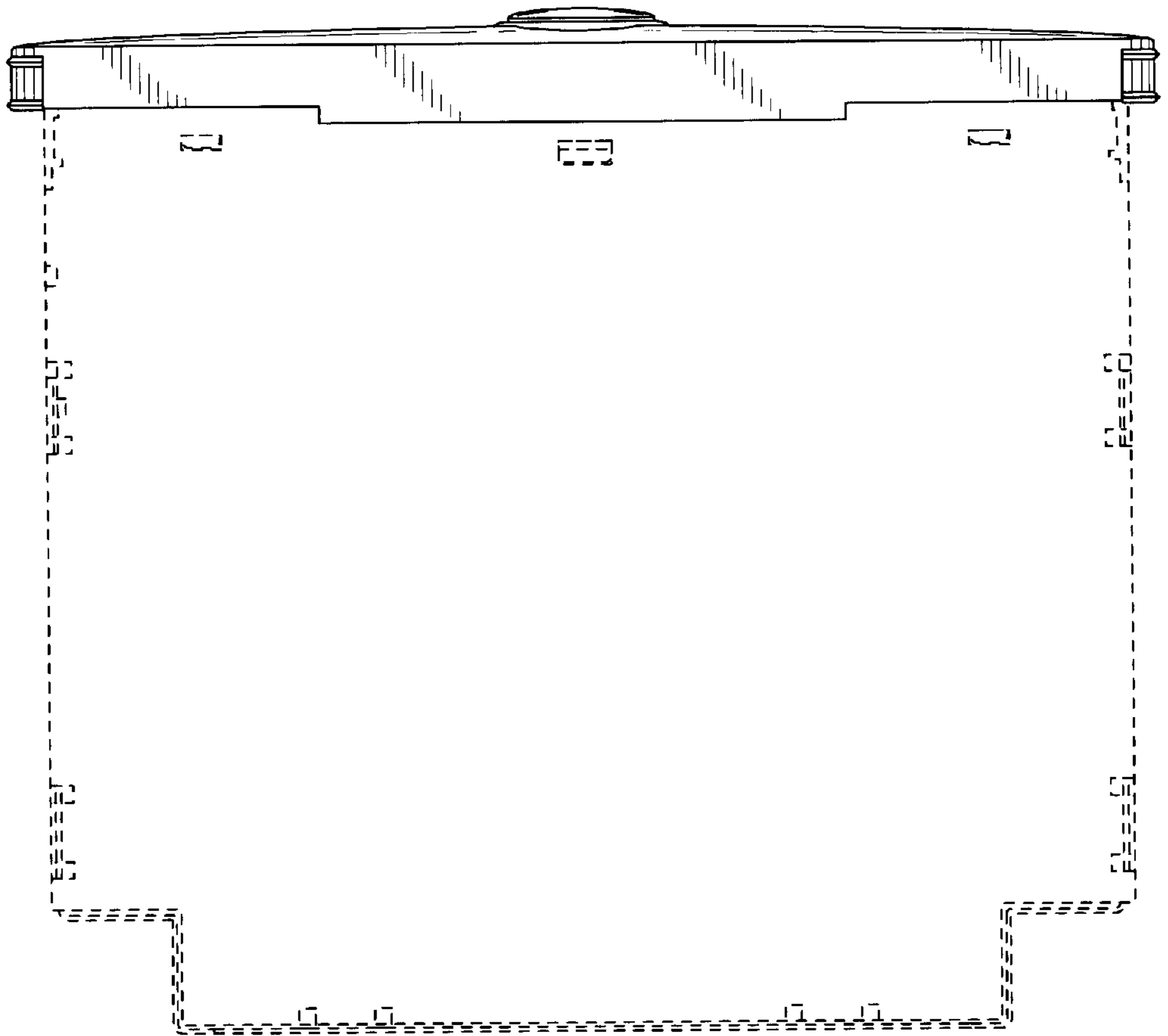


FIG. 6

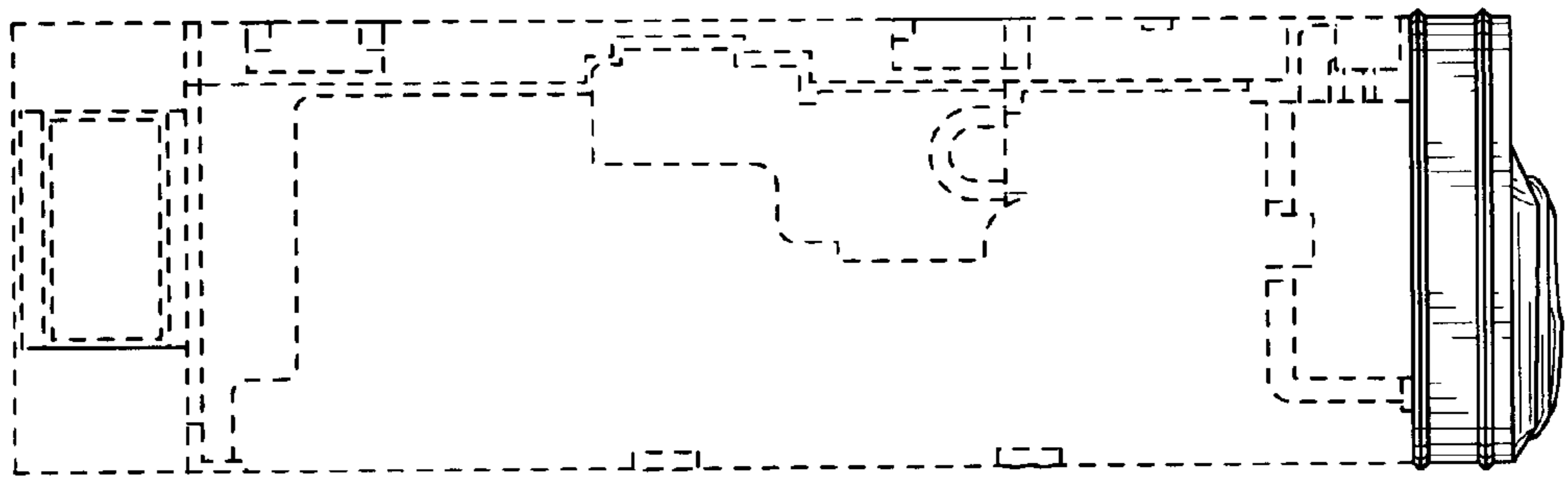


FIG. 7

