



US00D479523S

(12) **United States Design Patent**
Peiker

(10) **Patent No.:** **US D479,523 S**

(45) **Date of Patent:** **** Sep. 9, 2003**

(54) **MOBILE TELEPHONE SUPPORT**

(76) Inventor: **Andreas Peiker**, Max-Planck-Strasse
32, D-61381 Friedrichsdorf (DE)

(**) Term: **14 Years**

(21) Appl. No.: **29/143,539**

(22) Filed: **Jun. 18, 2001**

(30) **Foreign Application Priority Data**

Dec. 16, 2000 (DE) 4 00 11 771

(51) **LOC (7) Cl.** **14-03**

(52) **U.S. Cl.** **D14/253**

(58) **Field of Search** D14/137, 434,
D14/138, 447, 148, 147, 149-151, 140-142,
240, 241, 251, 253, 451; 379/426, 449,
419, 420.01-420.04, 428.01-428.04, 440,
454, 455, 446; 455/550-575, 90; D13/107,
108; 320/110, 113, 114, 115; D3/218

(56) **References Cited**

U.S. PATENT DOCUMENTS

D289,631 S	*	5/1987	Osit	D13/108
D354,961 S	*	1/1995	Richards et al.	D14/253
D362,004 S	*	9/1995	Nakano et al.	D14/253
D369,606 S	*	5/1996	Marks	D14/218
5,535,274 A	*	7/1996	Braitberg et al.	379/446
5,828,750 A	*	10/1998	Perala	379/446
D402,993 S	*	12/1998	James et al.	D14/253
5,917,907 A	*	6/1999	Kela	379/446

D412,910 S	*	8/1999	Peiker	D14/253
D413,607 S	*	9/1999	Lindahl	D14/253
5,995,622 A	*	11/1999	Roussy et al.	379/446
D425,908 S	*	5/2000	Collins	D14/253
D428,002 S	*	7/2000	Lindahl	D14/253
D428,387 S	*	7/2000	Malloy et al.	D13/107
D432,530 S	*	10/2000	Lindahl	D14/253
D437,315 S	*	2/2001	Hunt	D14/253
6,227,505 B1	*	5/2001	Van Order et al.	248/222.13
D445,975 S	*	7/2001	Stratford	D32/31
6,269,258 B1	*	7/2001	Peiker	455/569
6,282,289 B1	*	8/2001	James et al.	379/446
6,315,255 B1	*	11/2001	Chan et al.	248/221.11

* cited by examiner

Primary Examiner—Jeffrey Asch

(74) *Attorney, Agent, or Firm*—Venable LLP; Robert Kinberg; Caroline J. Swindell

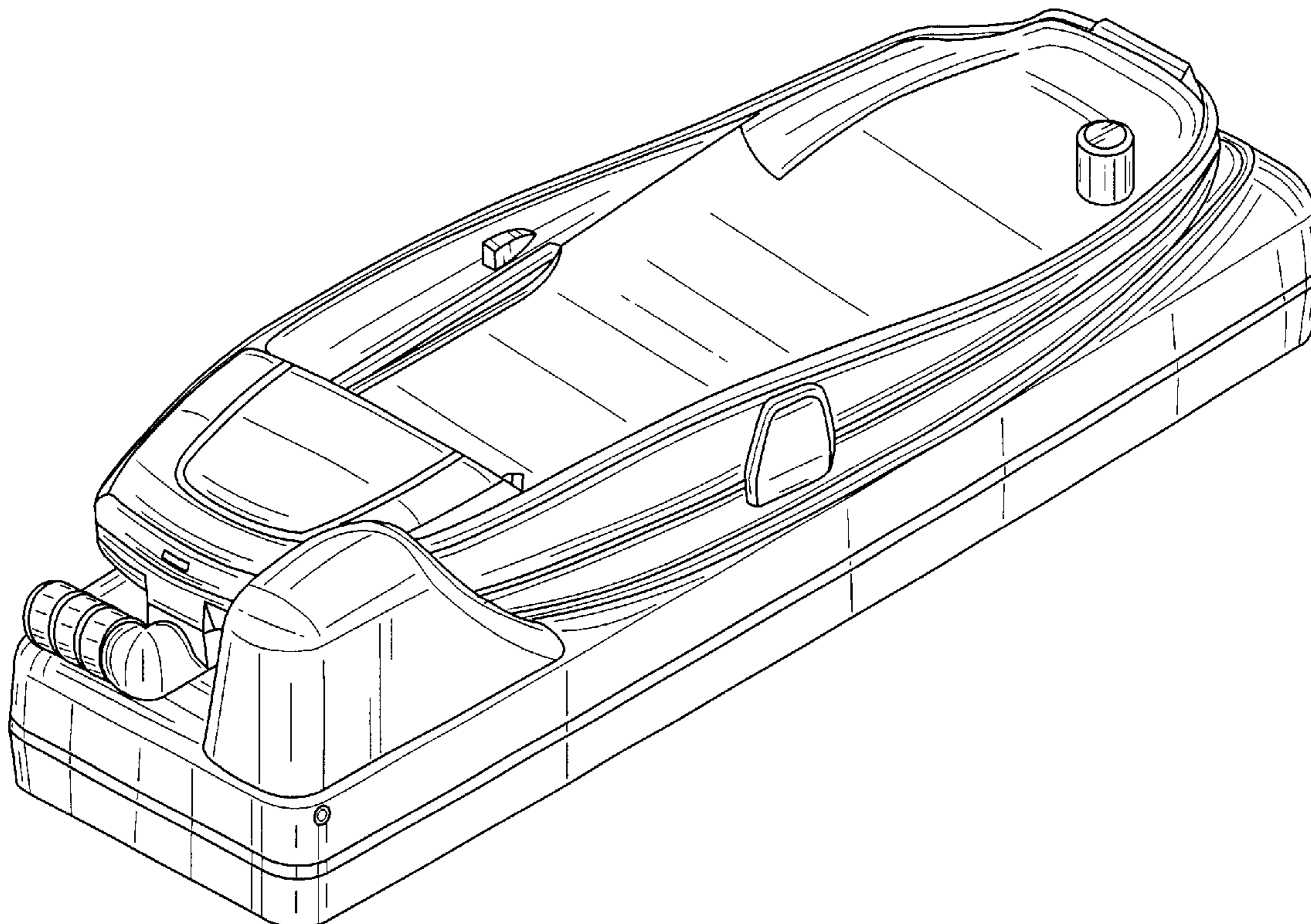
(57) **CLAIM**

The ornamental design for a mobile telephone support, as shown and described.

DESCRIPTION

FIG. 1 is a front-bottom-right perspective view of my new design for a mobile telephone support.
FIG. 2 is a front view thereof.
FIG. 3 is a bottom view thereof.
FIG. 4 is a left side view thereof; and,
FIG. 5 is a left side view showing an elevated position of the mobile telephone support.

1 Claim, 5 Drawing Sheets



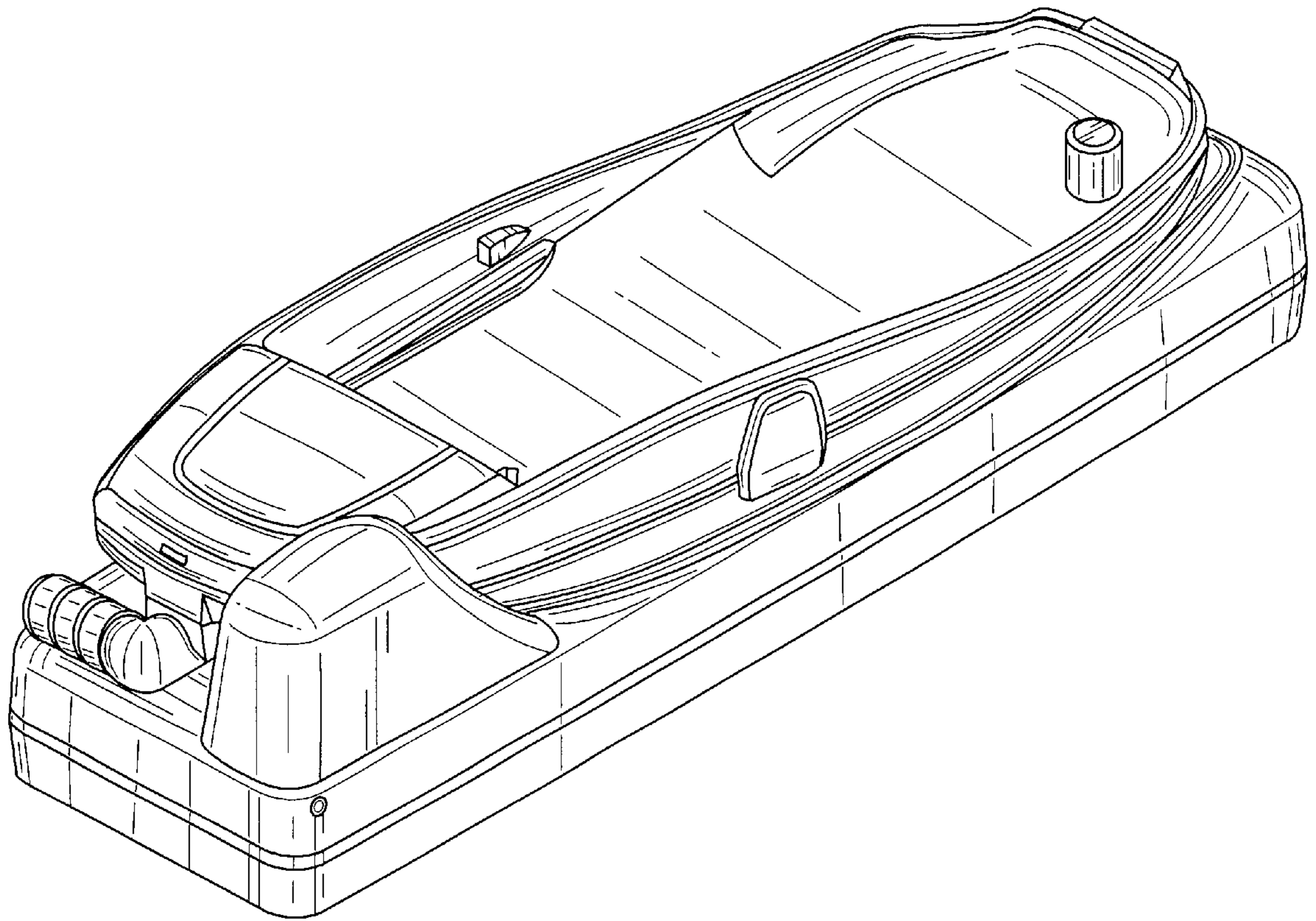


FIG. 1

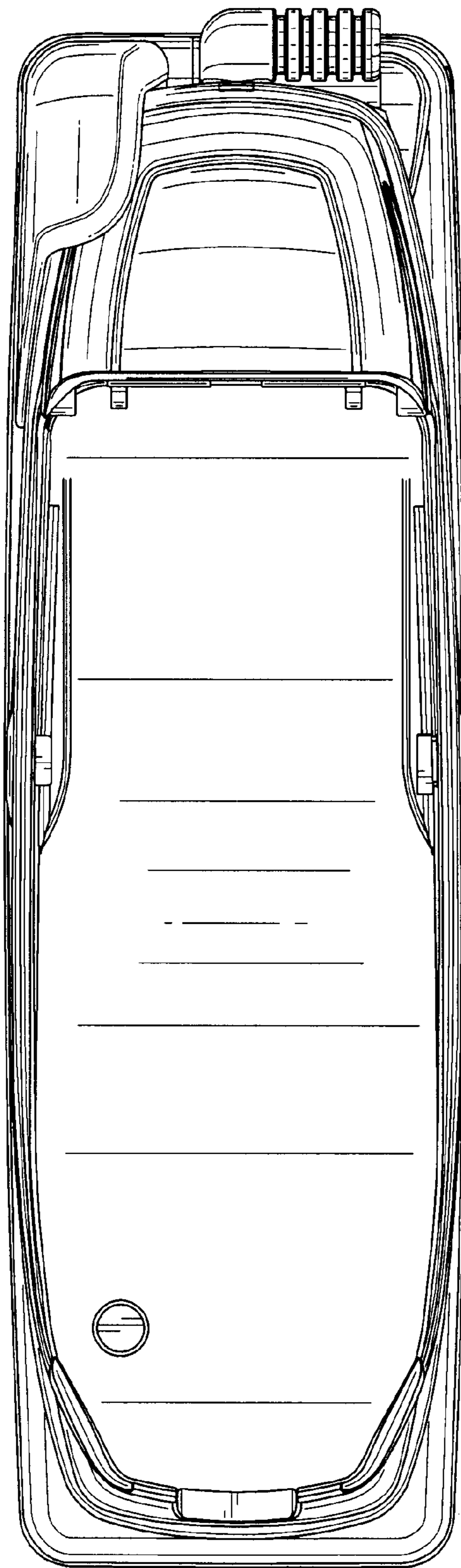


FIG. 2

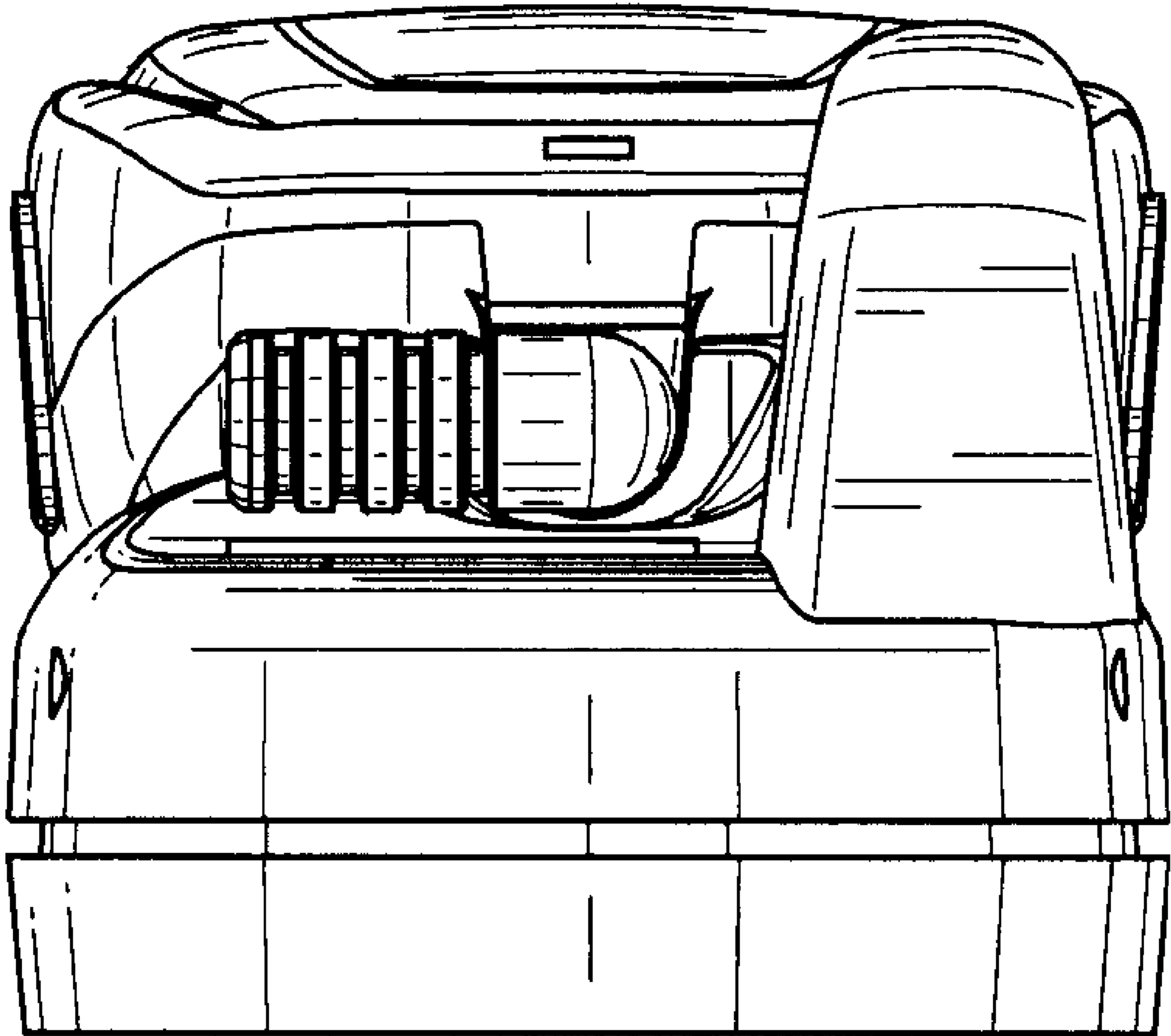


FIG. 3

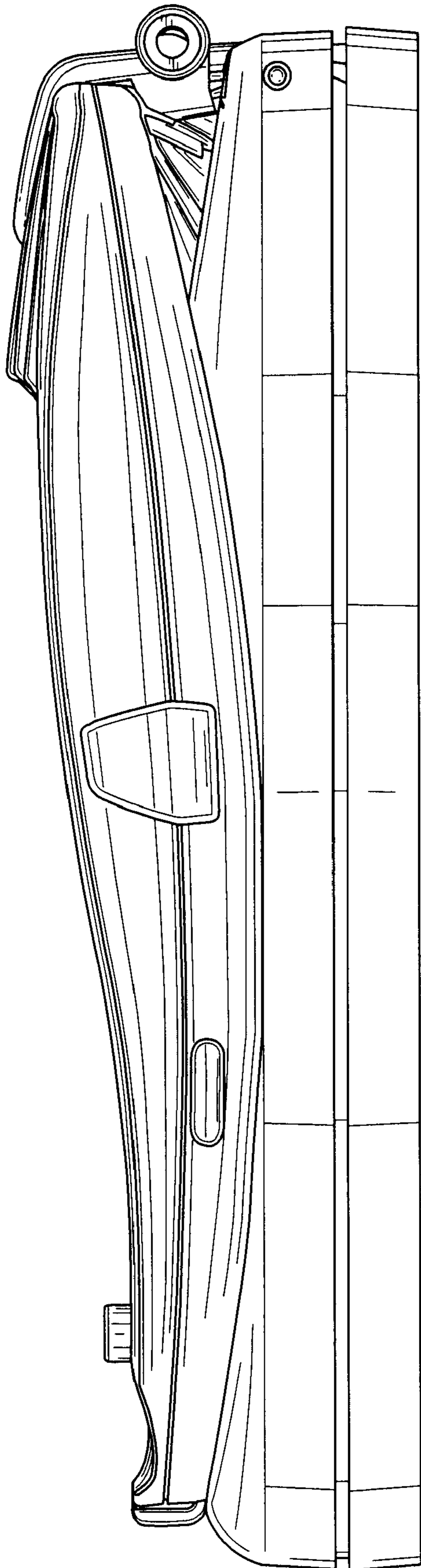


FIG. 4

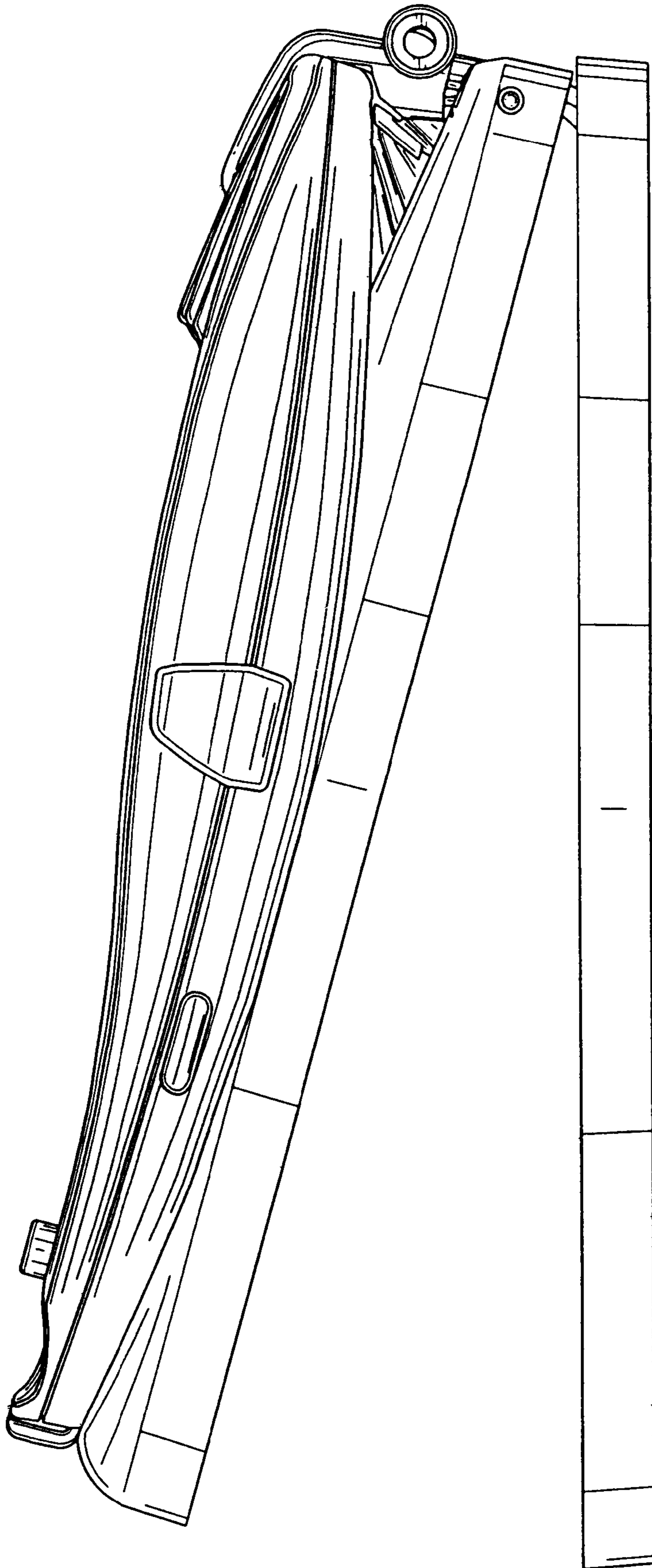


FIG. 5