



US00D479517S

(12) **United States Design Patent**
Weidinger

(10) **Patent No.:** **US D479,517 S**

(45) **Date of Patent:** **** Sep. 9, 2003**

(54) **TELEPHONE**

D463,389 S * 9/2002 Stafford-Fraser D14/151
D472,537 S * 4/2003 Schramm et al. D14/149

(75) Inventor: **Joseph Weidinger**, Phoenix, AZ (US)

* cited by examiner

(73) Assignee: **Inter-Tel, Inc.**, Tempe, AZ (US)

Primary Examiner—Janice E. Seeger

(**) Term: **14 Years**

(74) *Attorney, Agent, or Firm*—Michelle Whittington

(21) Appl. No.: **29/175,123**

(57) **CLAIM**

(22) Filed: **Jan. 30, 2003**

The ornamental design for a telephone, as shown and described.

(51) **LOC (7) Cl.** **14-03**

DESCRIPTION

(52) **U.S. Cl.** **D14/151**

(58) **Field of Search** D14/149–151,
D14/143, 144, 241, 130, 329, 330, 243;
379/202, 420.01, 420.02, 420.03, 433.01,
433.02, 433.03, 434, 436

FIG. 1 is a front view of a telephone showing my new design;

FIG. 2 is a top view thereof;

FIG. 3 is a left side view thereof;

FIG. 4 is a right side view thereof;

FIG. 5 is a rear view thereof; and,

FIG. 6 is a bottom view thereof.

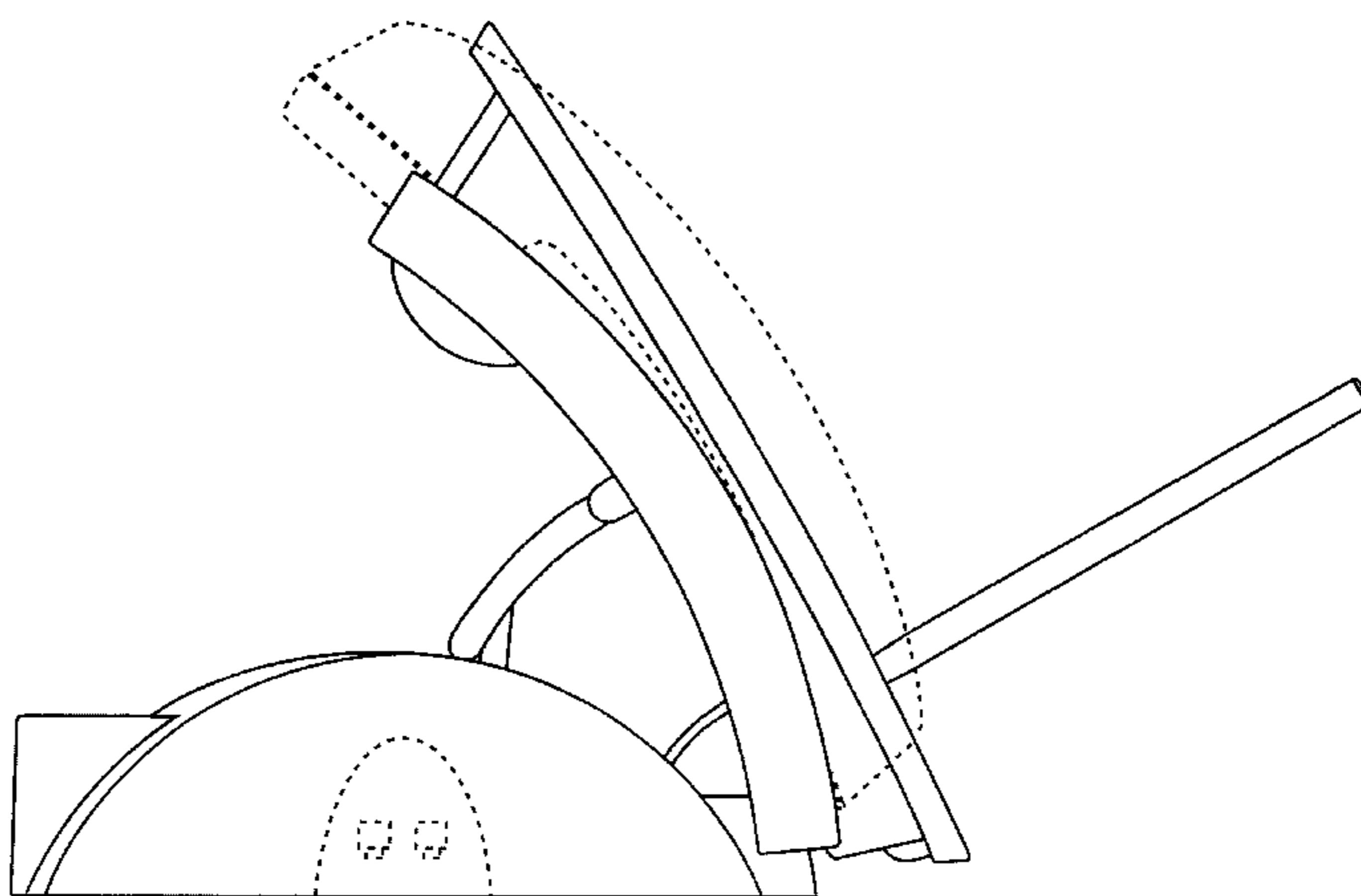
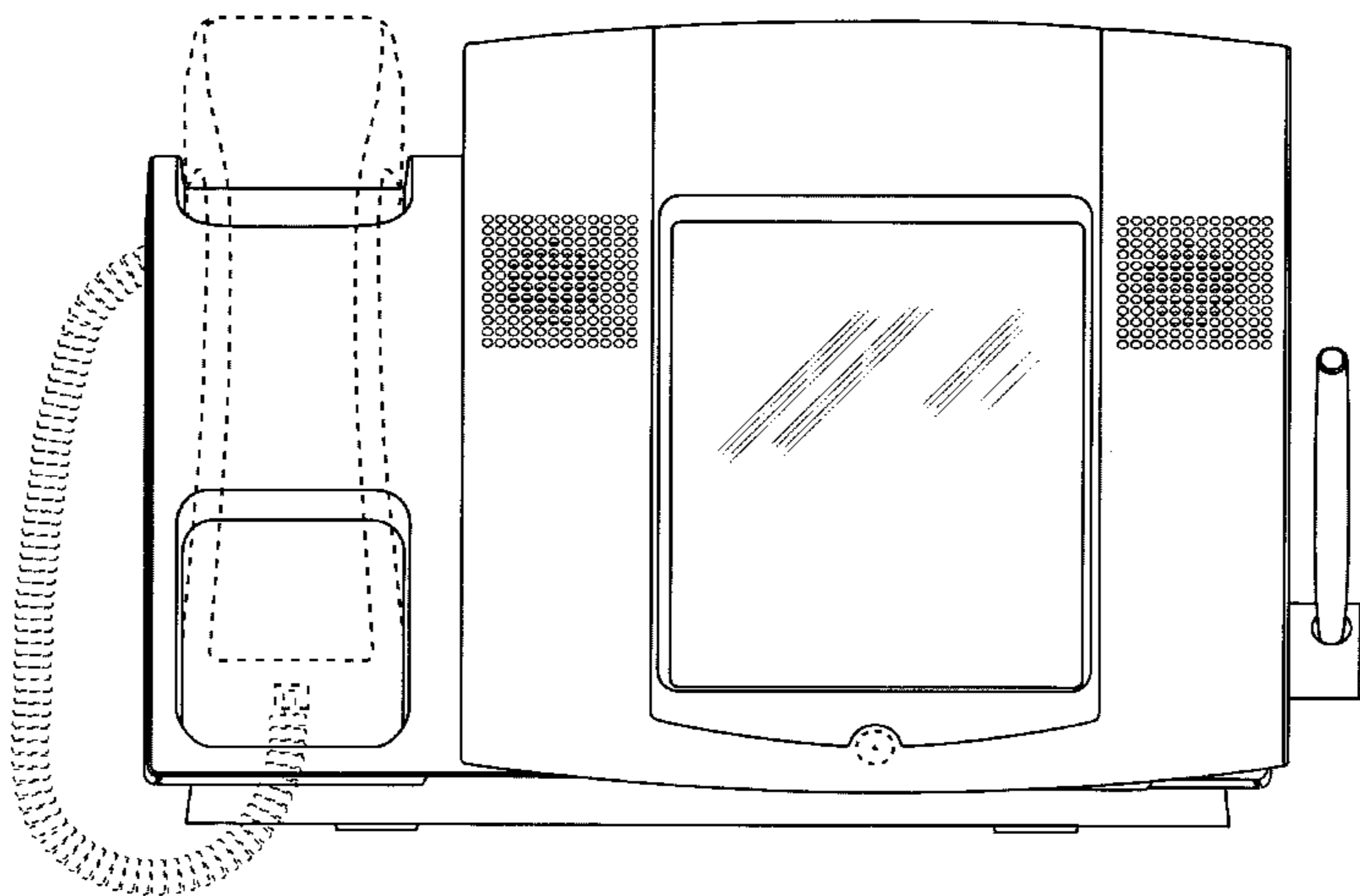
The broken lines throughout the views are for illustrative purposes only and form no part of the claimed design.

(56) **References Cited**

U.S. PATENT DOCUMENTS

D317,757 S * 6/1991 Yokoi et al. D14/101
D318,051 S * 7/1991 Danielson et al. D14/142
D339,342 S * 9/1993 Chan D14/149

1 Claim, 6 Drawing Sheets



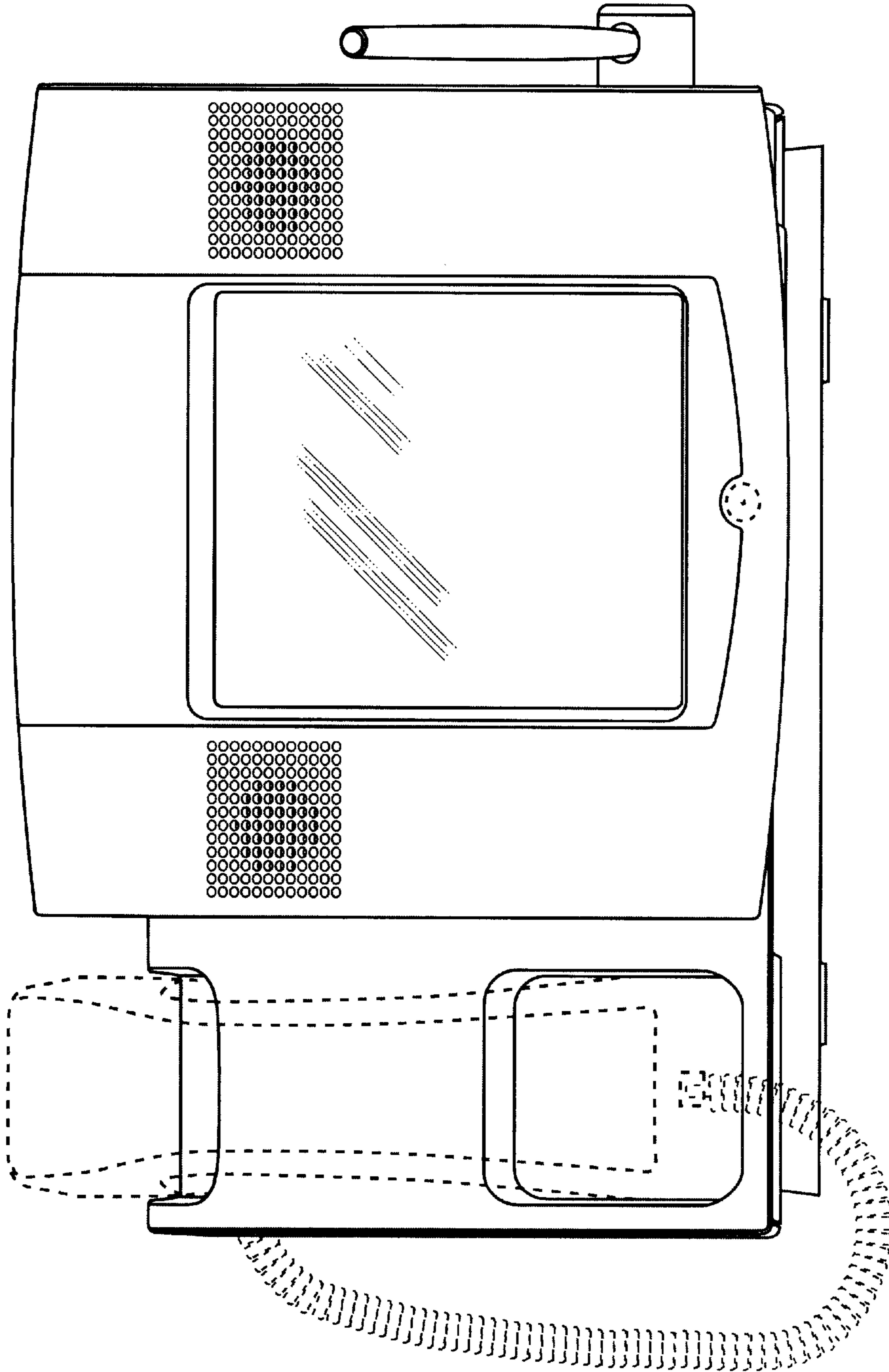


Fig. 1

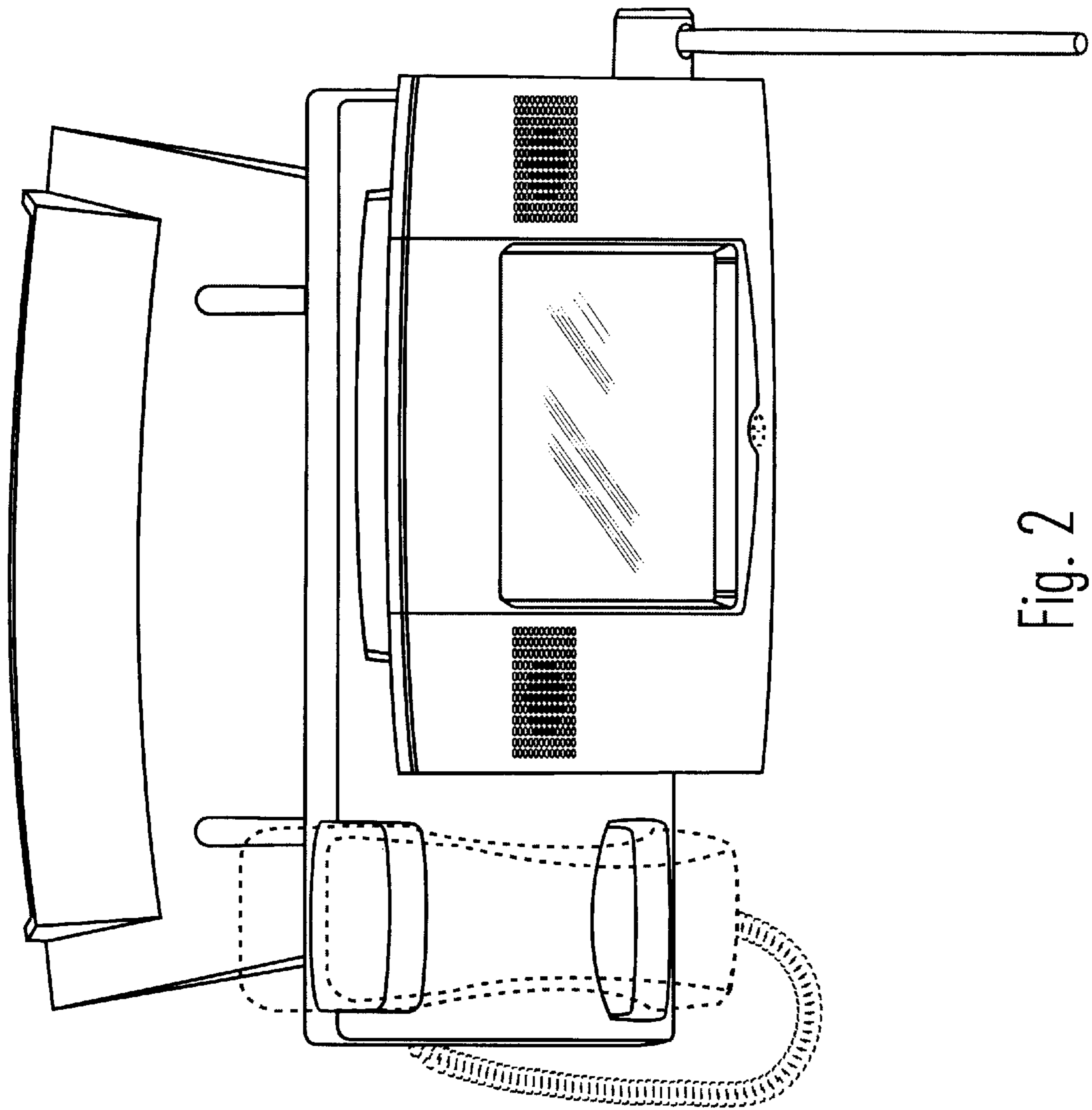


Fig. 2

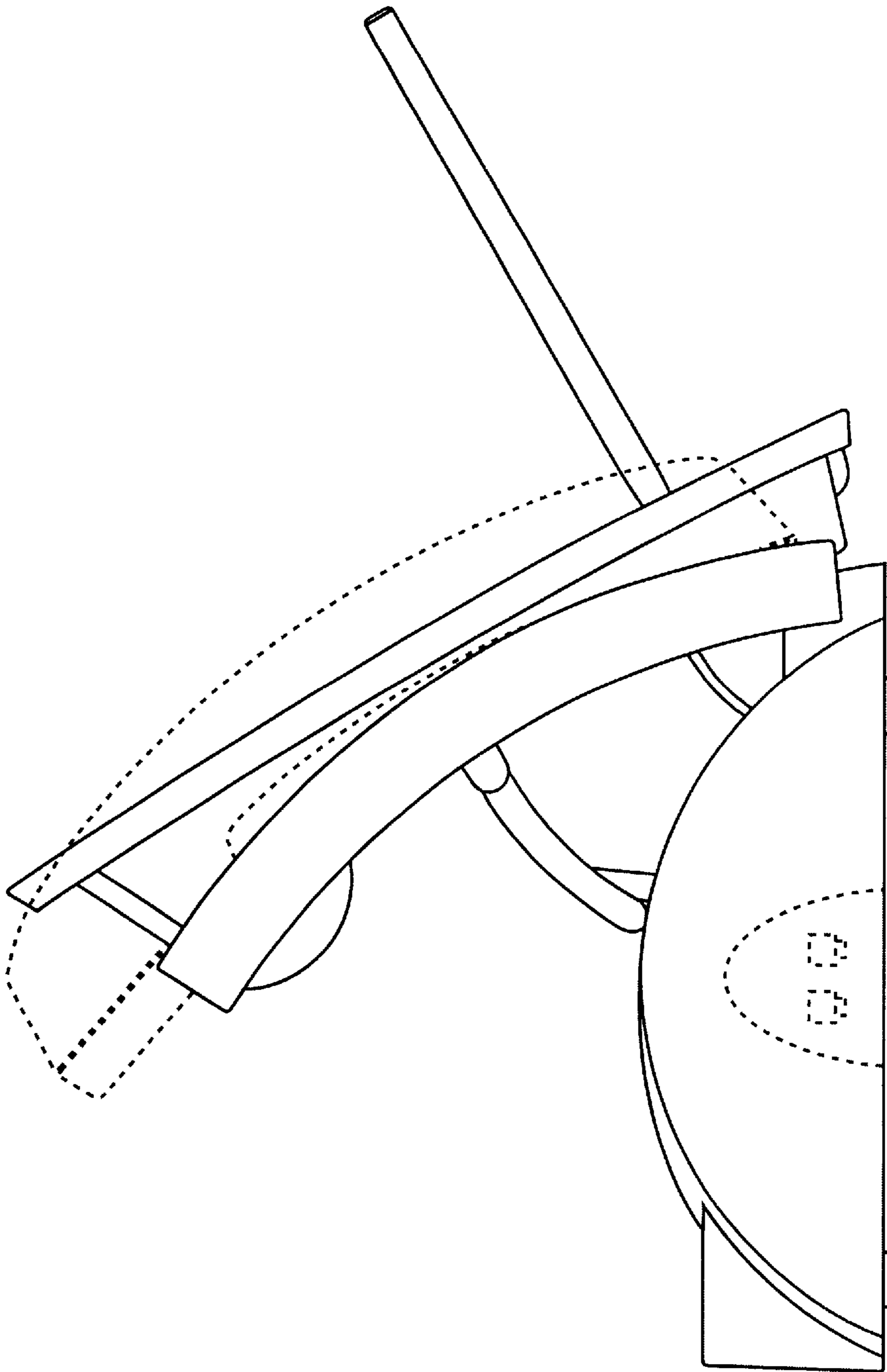


Fig. 3

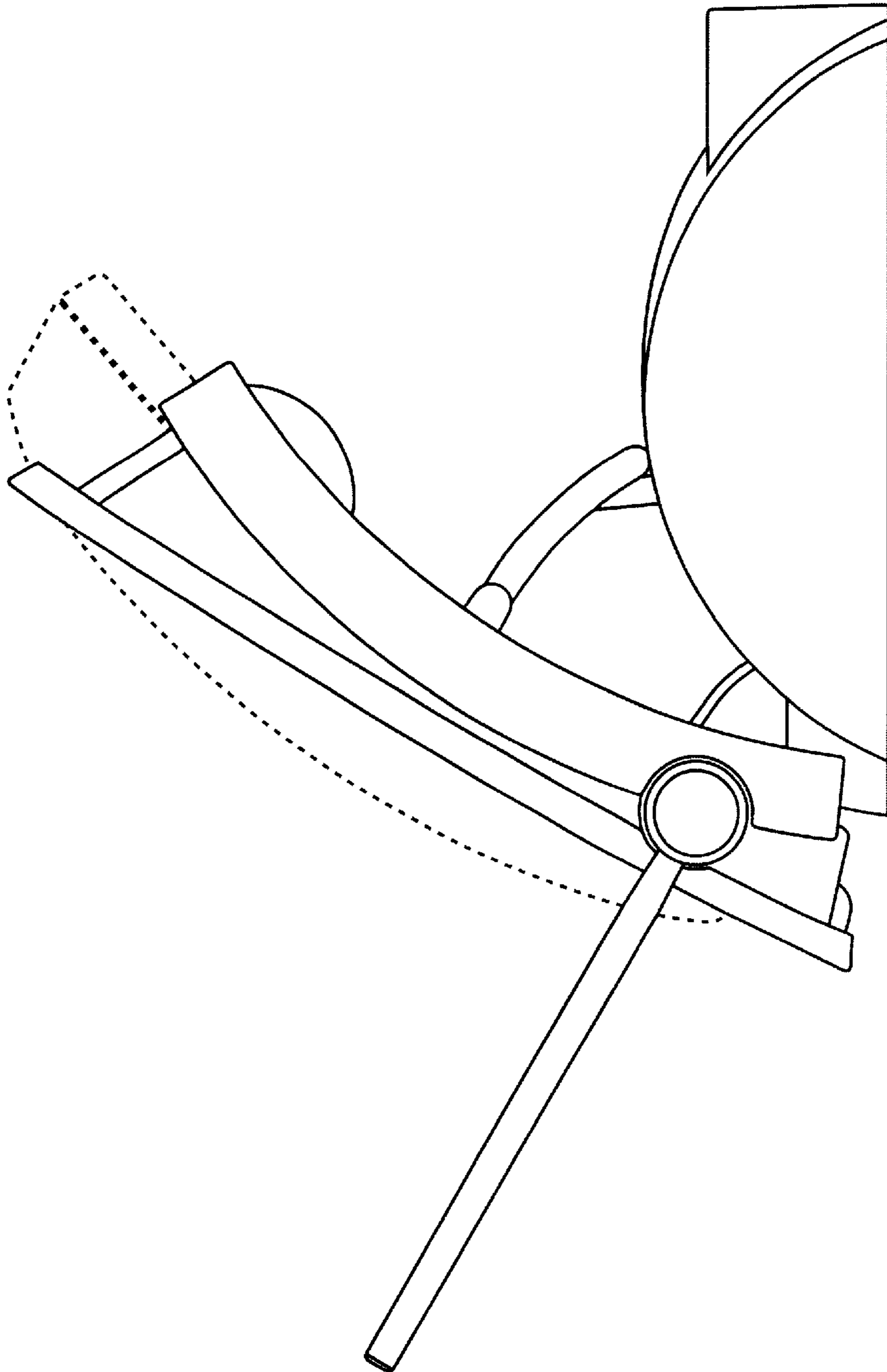


Fig. 4

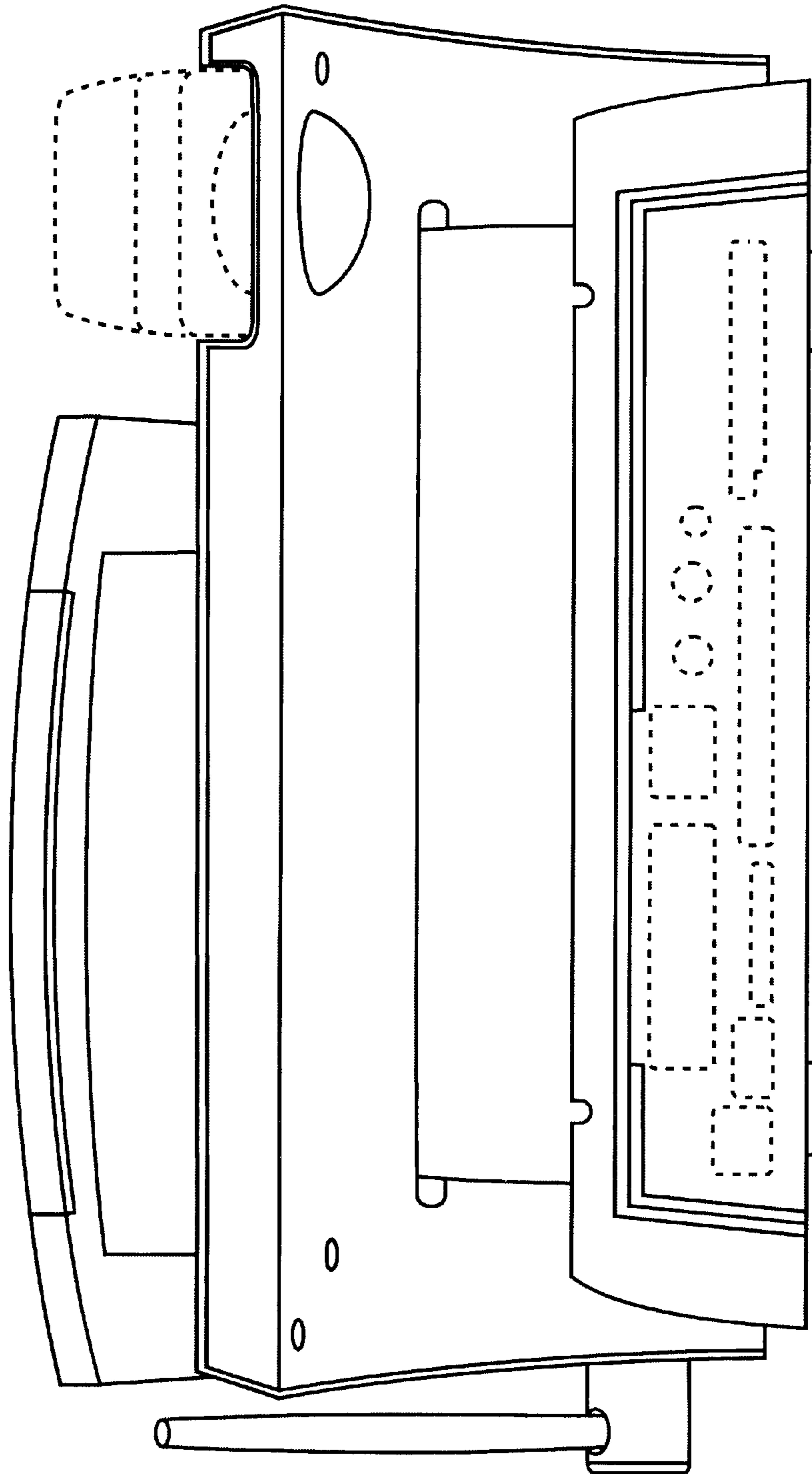


Fig. 5

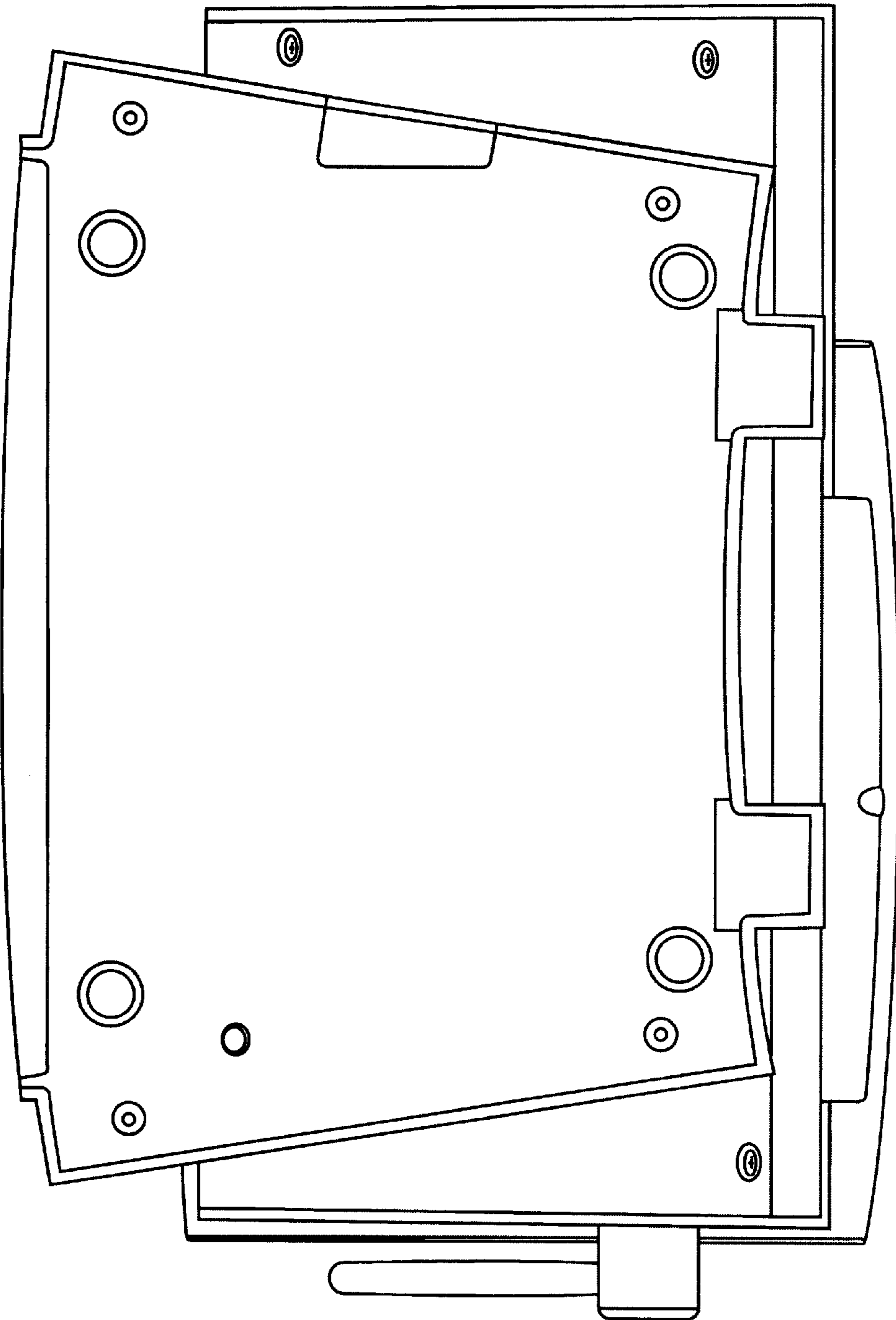


Fig. 6