



US00D479509S

(12) **United States Design Patent**  
**Cocchiola, Jr.**

(10) **Patent No.:** **US D479,509 S**

(45) **Date of Patent:** **\*\* Sep. 9, 2003**

(54) **SNAP-ON CONNECTION RETAINER FOR EXTENSION CORDS**

5,685,732 A 11/1997 Lane  
D466,088 S \* 11/2002 Saben ..... D13/154

(76) **Inventor:** **Charles T. Cocchiola, Jr.**, 1 Somerset Dr., Commack, NY (US) 11725

\* cited by examiner

(\*\*) **Term:** **14 Years**

*Primary Examiner*—Jennifer Rivard  
(74) *Attorney, Agent, or Firm*—Donald R. Schoonover

(21) **Appl. No.:** **29/173,743**

(57) **CLAIM**

(22) **Filed:** **Jan. 7, 2003**

I claim the ornamental design for a snap-on connection retainer for extension cords, as shown and described.

(51) **LOC (7) Cl.** ..... **13-03**

**DESCRIPTION**

(52) **U.S. Cl.** ..... **D13/154**

(58) **Field of Search** ..... D13/154-156;  
439/367, 369

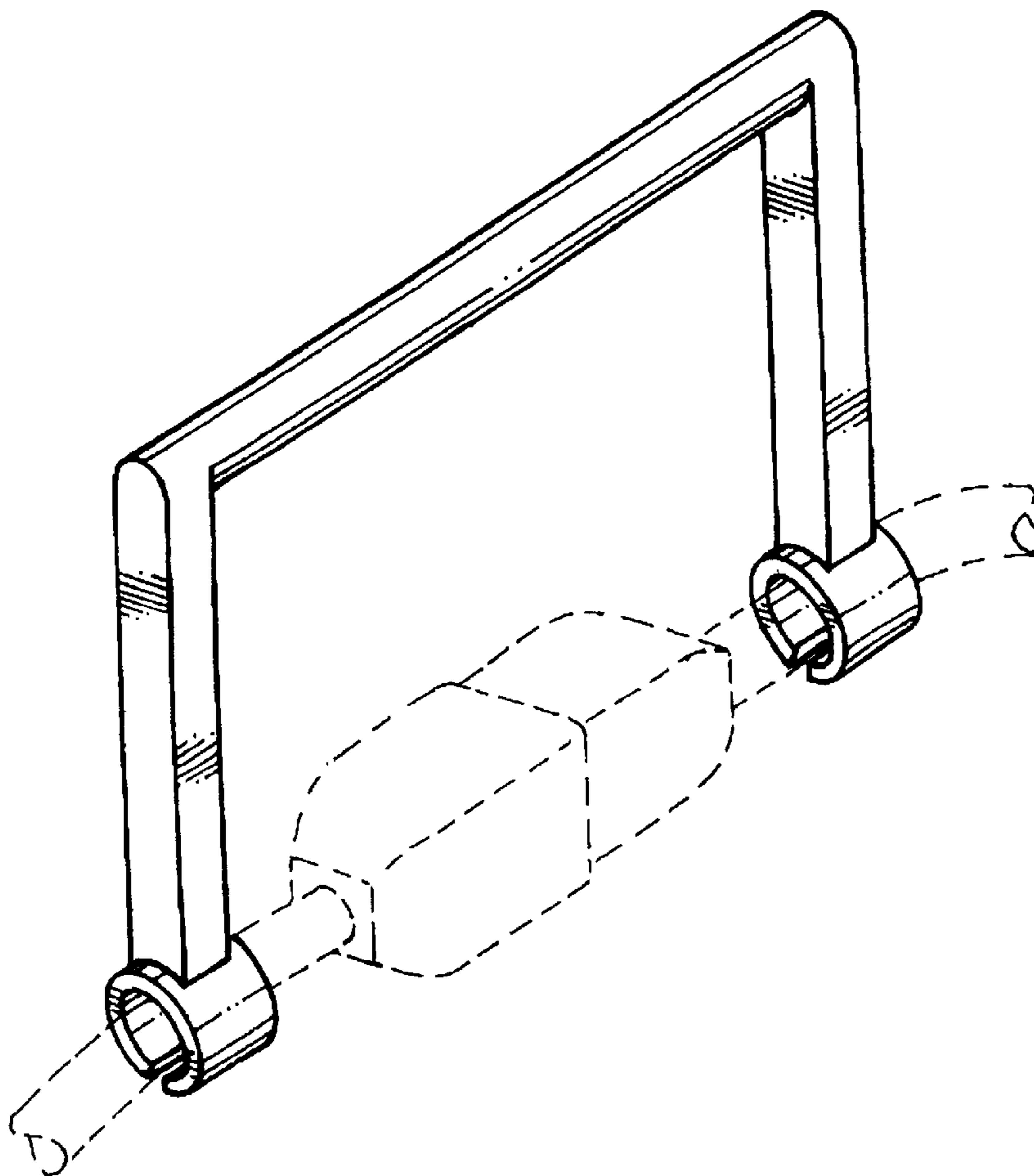
FIG. 1 is a perspective view of a snap-on connection retainer for extension cords showing my new design; the broken lines show environmental structure for illustrative purposes only and form no part of the claimed design;  
FIG. 2 is a side elevational view thereof, the elevational view of the opposite side being identical thereto;  
FIG. 3 is an end elevational view thereof, the elevational view of the opposite end being identical thereto;  
FIG. 4 is a top plan view thereof; and,  
FIG. 5 is a bottom plan view thereof.

(56) **References Cited**

**U.S. PATENT DOCUMENTS**

2,720,633 A	*	10/1955	Westberg	.....	439/369
3,048,810 A		8/1962	Steen		
4,183,603 A	*	1/1980	Donarummo	.....	439/369
D275,175 S	*	8/1984	Rolli, Jr.	.....	D13/154
D301,335 S		5/1989	Audrain		
4,917,625 A		4/1990	Haile		

**1 Claim, 3 Drawing Sheets**



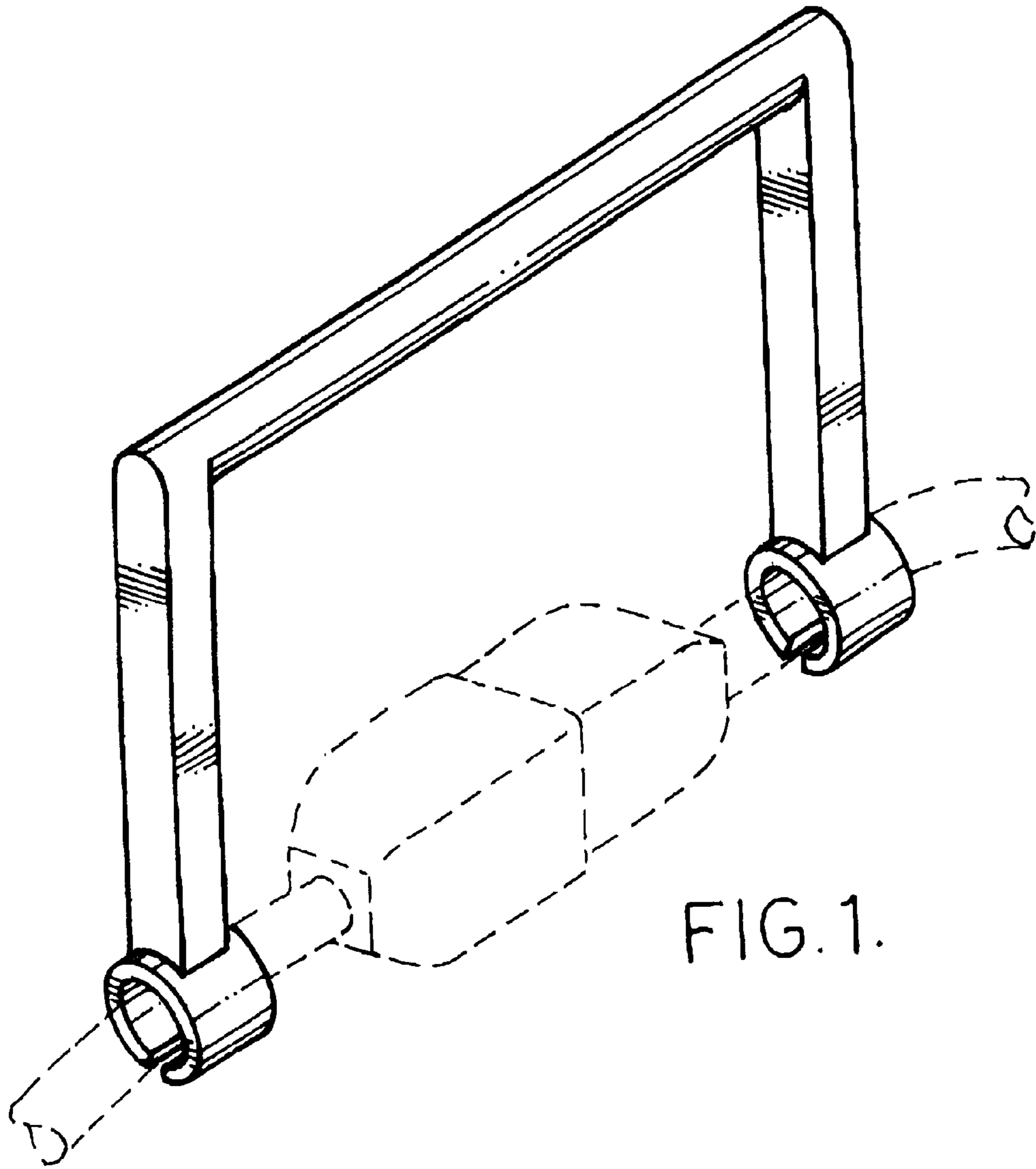
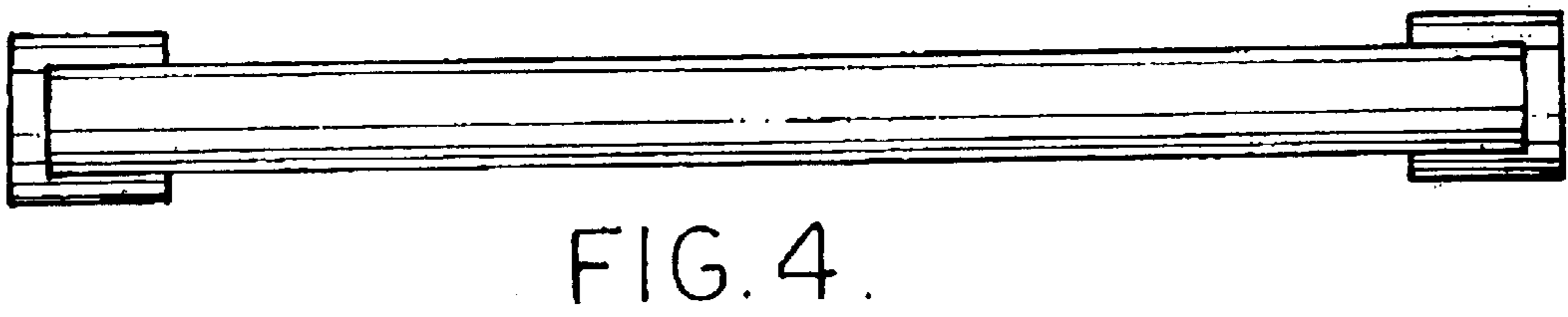
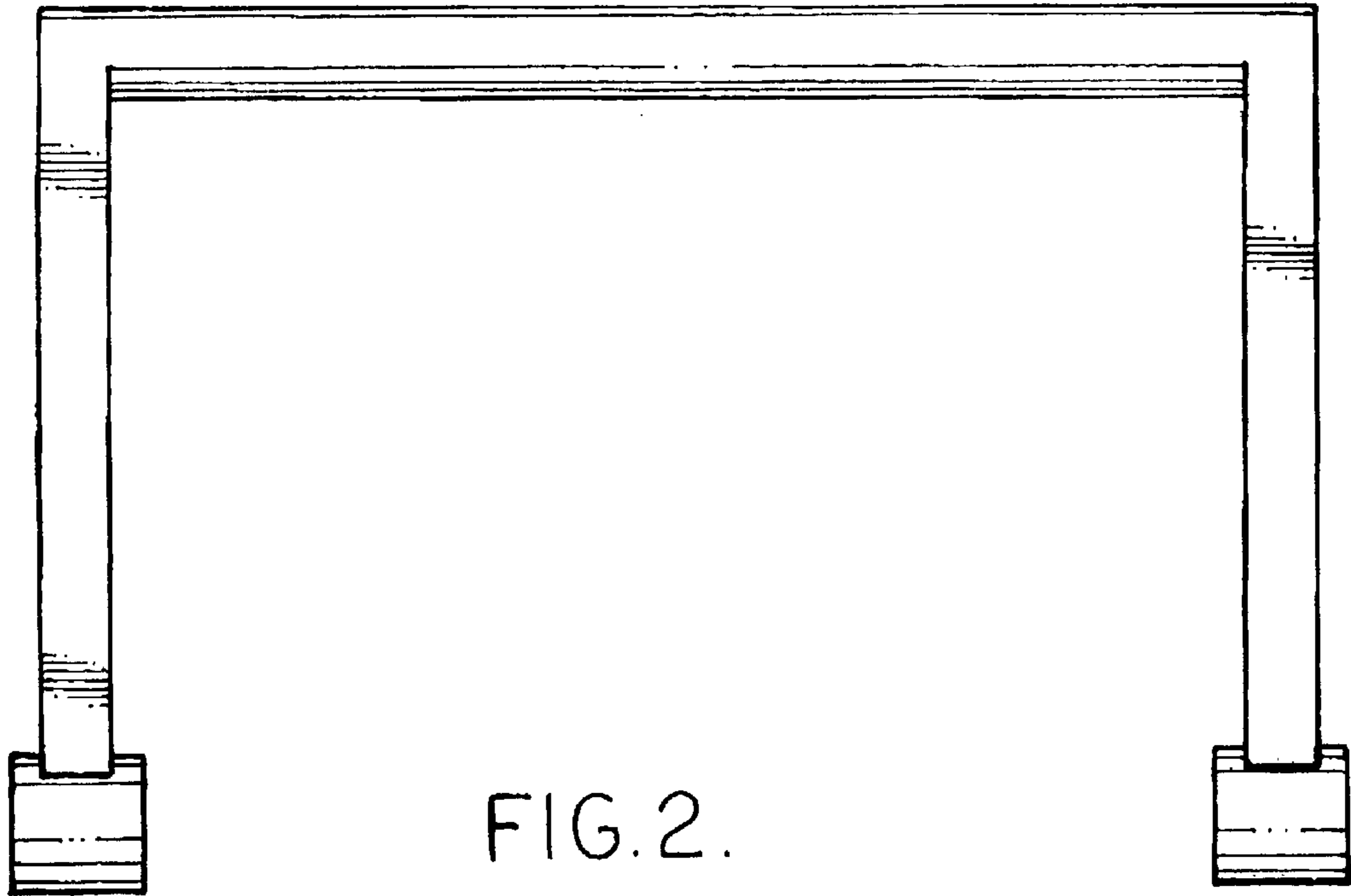


FIG. 1.



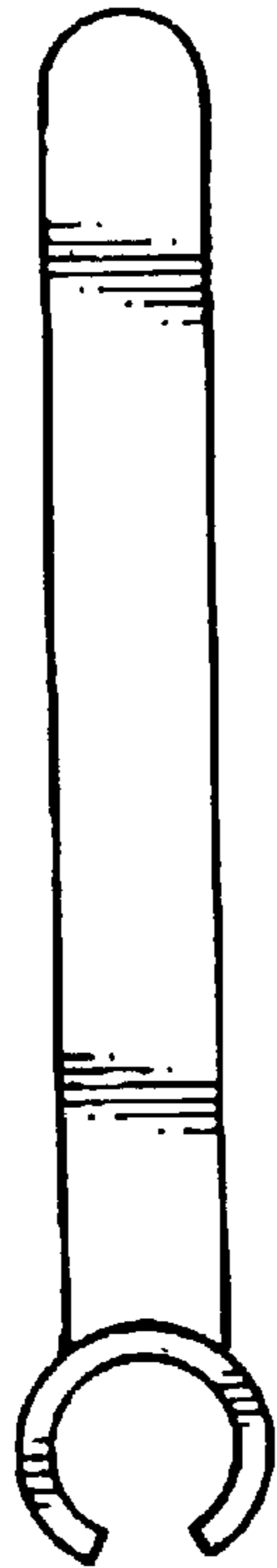


FIG. 3.

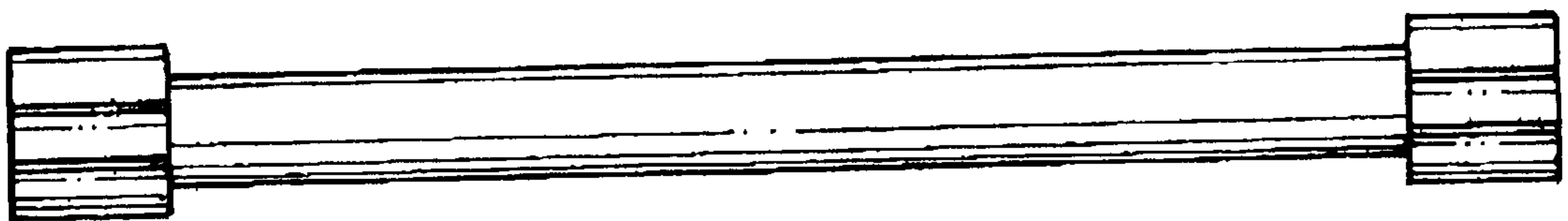


FIG. 5.